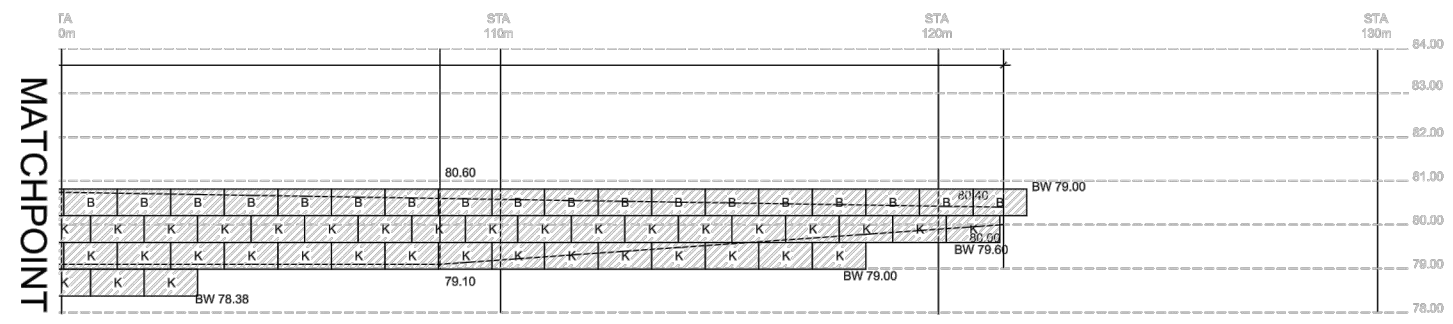
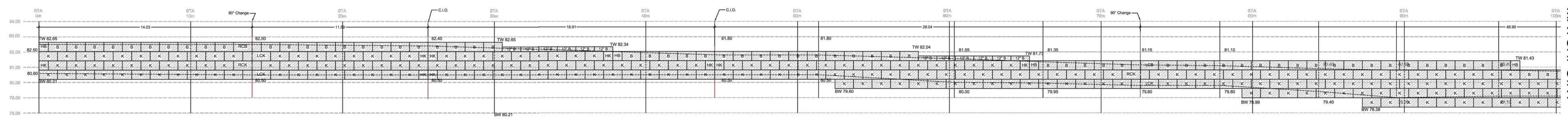


**COPYRIGHT RESERVED**  
 THE CONTRACTOR SHALL VERIFY AND BE RESPONSIBLE OF ALL DIMENSIONS. DO NOT SCALE THE DRAWING. ANY ERRORS OR OMISSIONS SHALL BE REPORTED TO BLANCHARD LETENDRE ENGINEERING LTD. WITHOUT DELAY. THE CONTRACTOR'S ALL LEGS AND DRAWINGS ARE THE PROPERTY OF BLANCHARD LETENDRE ENGINEERING LTD. REPRODUCTION OR USE FOR ANY PURPOSE OTHER THAN THAT AUTHORIZED BY BLANCHARD LETENDRE ENGINEERING LTD. IS STRICTLY PROHIBITED.



MATCHPOINT

MATCHPOINT

NO.	DATE	DESCRIPTION

**REVISIONS ISSUED:**

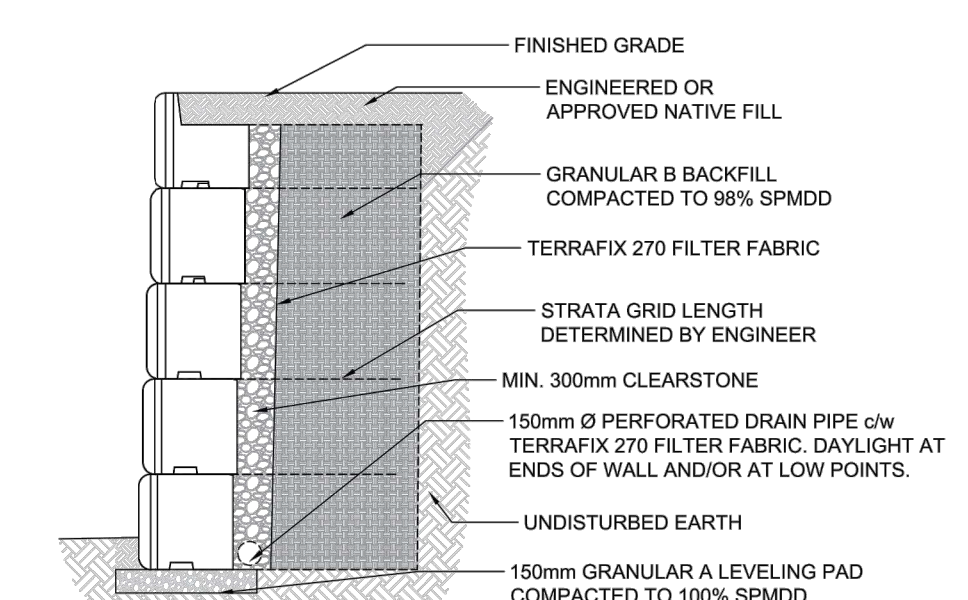
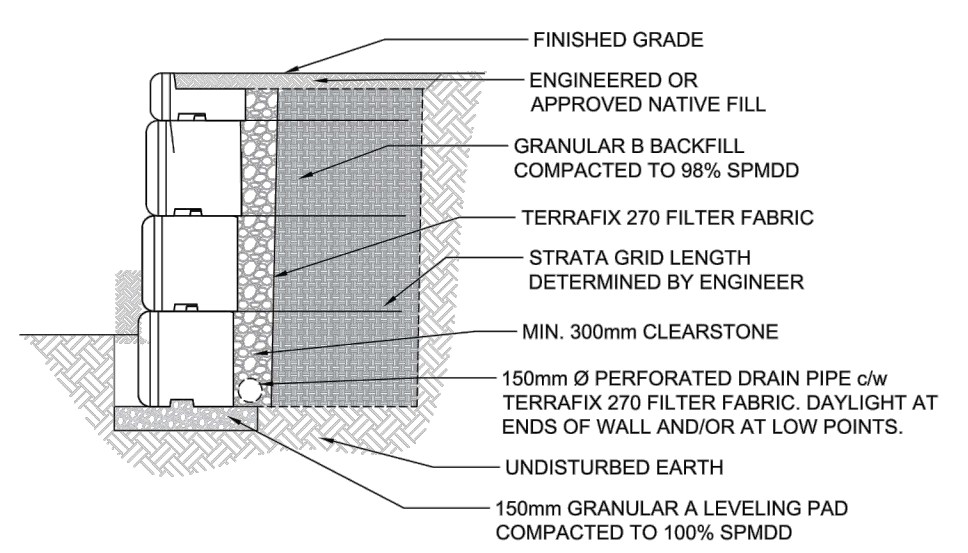
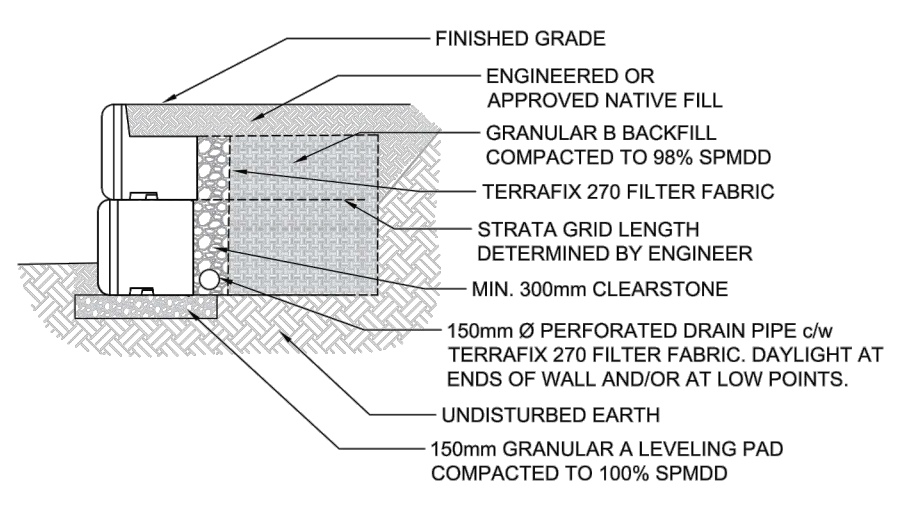
THIS DRAWING IS FOR CONSTRUCTION ONLY. IT IS NOT TO BE USED FOR CONSTRUCTION UNLESS APPROVED BY THE ENGINEER. ANY CHANGES TO THIS DRAWING MUST BE APPROVED BY THE ENGINEER. THIS DRAWING IS NOT TO BE USED FOR CONSTRUCTION UNLESS APPROVED BY THE ENGINEER. ANY CHANGES TO THIS DRAWING MUST BE APPROVED BY THE ENGINEER.

100 MATHEWSON BLVD. S. UNIT #201,  
 MISSISSAUGA, ON L4Z 1A7  
 Phone: (905) 845-0532  
 Fax: (905) 845-0512



4765 16TH AVE. S.W.  
 KING, ON L7B 4E4  
 Phone: (905) 864-8608  
 Fax: (905) 864-8618

PROJECT:	OLIGO DEVELOPMENTS
LOCATION:	996-B ST. AUGUSTIN RD. EMBRUN, ON
DRAWING DESCRIPTION:	ELEVATION, CROSS SECTIONS, & LAYOUT
REFERENCE:	BASED ON INFORMATION FOUND ON GRADING PLANS DATED 02-2021 BY: BF/GB/DATE: 02-2021
DRAWN BY:	DS
CHECKED BY:	
DATE STARTED:	2021-02-26
PROJECT NO.:	EST12897
SHEET NO.:	1



12" BENCH	12" B	12
FULL BENCH	B	83
HALF BENCH	HB	4
LEFT BENCH	LCB	1
RIGHT BENCH	RCB	1
12" KEYED	12" K	0
FULL KEYED	K	254
HALF KEYED	HK	9
LEFT KEYED	LCK	3
RIGHT KEYED	RCK	2

SG350 - 5 ROLLS

**GENERAL NOTES:**

- THE FOLLOWING NOTES SHALL GOVERN UNLESS NOTED OTHERWISE ON THE DRAWINGS.
- THESE DRAWINGS ARE TO BE READ IN CONJUNCTION WITH ALL PROJECT DRAWINGS AND CONTRACT DOCUMENTS.
- PRIOR TO COMMENCING WORK THE CONTRACTOR WILL VERIFY ALL MEASUREMENTS AND CONDITIONS ON SITE AND REPORT TO THE ENGINEER ANY DISCREPANCIES OR UNSATISFACTORY CONDITIONS THAT MAY AFFECT THE PROPER COMPLETION OF WORK.
- SEE FIELD CONSTRUCTION MANUAL FOR INSTALLATION DETAILS.
- DRAWINGS ARE METRIC AND NOT TO BE SCALED.
- OUTSIDE CURVES WILL REQUIRE BACKS OF BLOCKS TO BE TRIMMED.
- CONTRACTORS CONSTRUCTION LOADS MUST NOT EXCEED THE ABOVE DESIGN LOADS. DESIGN LOADS MAY ONLY BE APPLIED AFTER THE WALL HAS BEEN INSTALLED AND APPROVED.

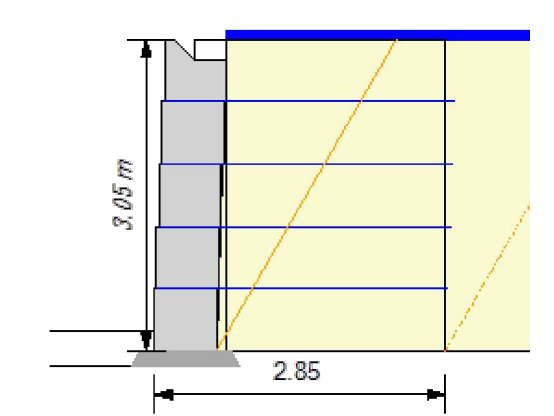
**SOIL AND BACKFILL:**

- SPECIFIED SOIL BEARING CAPACITY MUST BE VERIFIED BY A GEOTECHNICAL ENGINEER PRIOR TO COMMENCING CONSTRUCTION OF THE FOUNDATION. CONDITIONS FOUND TO BE UNSATISFACTORY IN BEARING CAPACITY MUST BE REPORTED TO THE PROJECT GEOTECHNICAL ENGINEER.
- FOUNDATIONS MUST BEAR ON SUITABLE MATERIAL.
- BACKFILL TO BE INSTALLED AND COMPACTED IN LIFTS NOT GREATER THAN 200mm WHERE HEAVY EQUIPMENT IS USED AND 150mm WHERE HAND OPERATED EQUIPMENT IS USED. HAND OPERATED EQUIPMENT MUST BE USED WHEN WITHIN 1m OF THE WALL.



**REA Analysis**

Project: Olgin Development  
 Location: Ottawa  
 Designer: ds  
 Date: 2021-02-26  
 Section: Section 1  
 Design Method: CAN\_CSA\_S6  
 Design Unit: StoneTerra



SOIL PARAMETERS	φ	coh	γ
Reinforced Soil:	30 deg	0.00 kNpsm	18.85 kNpcm
Retained Soil:	30 deg	0.00 kNpsm	18.85 kNpcm
Foundation Soil:	30.00 deg	0.00 kNpsm	18.85 kNpcm

Leveling Pad: Crushed Stone

GEOMETRY	Value	Value
Design Height:	3.05 m	Live Load: 2.40 kNpsm
Wall Batter/Tilt:	2.4/ 0.00 deg	Live Load Offset: 0.00 m
Embedment:	0.20 m	Live Load Width: 6.00 m
Leveling Pad Depth:	0.15 m	Dead Load: 0.00 kNpsm
Slope Angle:	0.0 deg	Dead Load Offset: 0.0 m
Slope Length:	0.0 m	Dead Load Width: 0.00 m
Slope Toe Offset:	0.0 m	Leveling Pad Width: 0.91 m

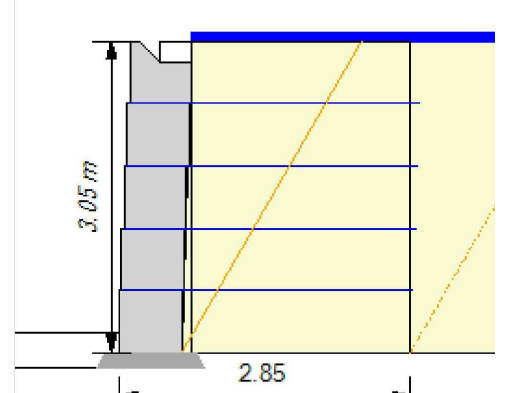


**RESULTS**

CDR Sliding: 1.54 (fnd)      CDR Bearing: 3.61  
 Eccentricity (e/L): 0.13      Bearing: 83.09; srvc 71.37  
 FoS Connection: 1.68

ID	Height	Length	Geogrid	Ta (Ta/Rt)	% Cvr	EP (Pa)	LL (Pa)	DL (Pa)	Tmax	CDR Str	Tallow	Cn	CDR Pk	CDR POI	CDR Slg	Grid
1	2.44	2.85	SG350	32.04	100	3.30	1.25	0.00	4.54	7.05	11.31	2.49	1.74(3.30)	93.20	0.93	
2	1.83	2.85	SG350	32.04	100	5.85	0.83	0.00	6.68	4.80	15.62	2.34	2.64(5.85)	29.74	1.26	
3	1.22	2.85	SG350	32.04	100	8.77	0.83	0.00	9.59	3.34	19.93	2.08	3.33(8.77)	14.87	1.59	
4	0.61	2.85	SG350	32.04	100	11.68	0.83	0.00	12.51	2.56	21.06	1.68	2.74(11.68)	9.07(1.54)	1.91	

Column Descriptions:  
 Ta: allowable geogrid strength  
 Rc %: percent coverage for geosynthetics  
 EP (Pa) internal active earth pressure  
 LL (Pa) earth pressure due to live load surcharge  
 DL (Pa) earth pressure due to dead load surcharge  
 Tmax maximum earth pressure on geosynthetic layer  
 FSstr factor of safety on geogrid strength (Ta/Tmax)  
 Ta on allowable tension on the connection  
 FS Pkon, factor of safety on the connection (Ta cn/Tmax)  
 FS PO, factor of safety on pullout (Ta pullout/(Tmax - LL)  
 Grid Embedment, depth of embedment beyond the theoretical failure plane.



**ENGINEERING STAMP**



#	ISSUED FOR SPA	DATE (DDMMYYYY)
#3	ISSUED FOR SPA	14/06/2022
#2	ISSUED FOR SPA	04/02/2022
#1	ISSUED FOR SPA	19/03/2021

**BLANCHARD LETENDRE ENGINEERING**  
 767, Notre Dame, Local 42, Embrun, Ontario,  
 (613) 693-0700 K0A 1R1 blngengineering.ca

**CLIENT:**  
**BRIDOR DEVELOPMENTS**  
 996-B ST. AUGUSTIN RD.  
 EMBRUN, ON

**PROJECT:**  
**NEW RESIDENTIAL DEVELOPMENT**  
 2380, 2396 CLEOROUX CRES,  
 OTTAWA, ON

**DRAWING:**  
**DETAILS - 1**

PAPER FORMAT:	24x36	<b>PAGE:</b>  <b>C502</b>
DRAWN BY:	BF + GB	
CHECKED BY:	GB	
DATE:	07-2022	
SCALE:	PROJECT NUMBER: 20-305	