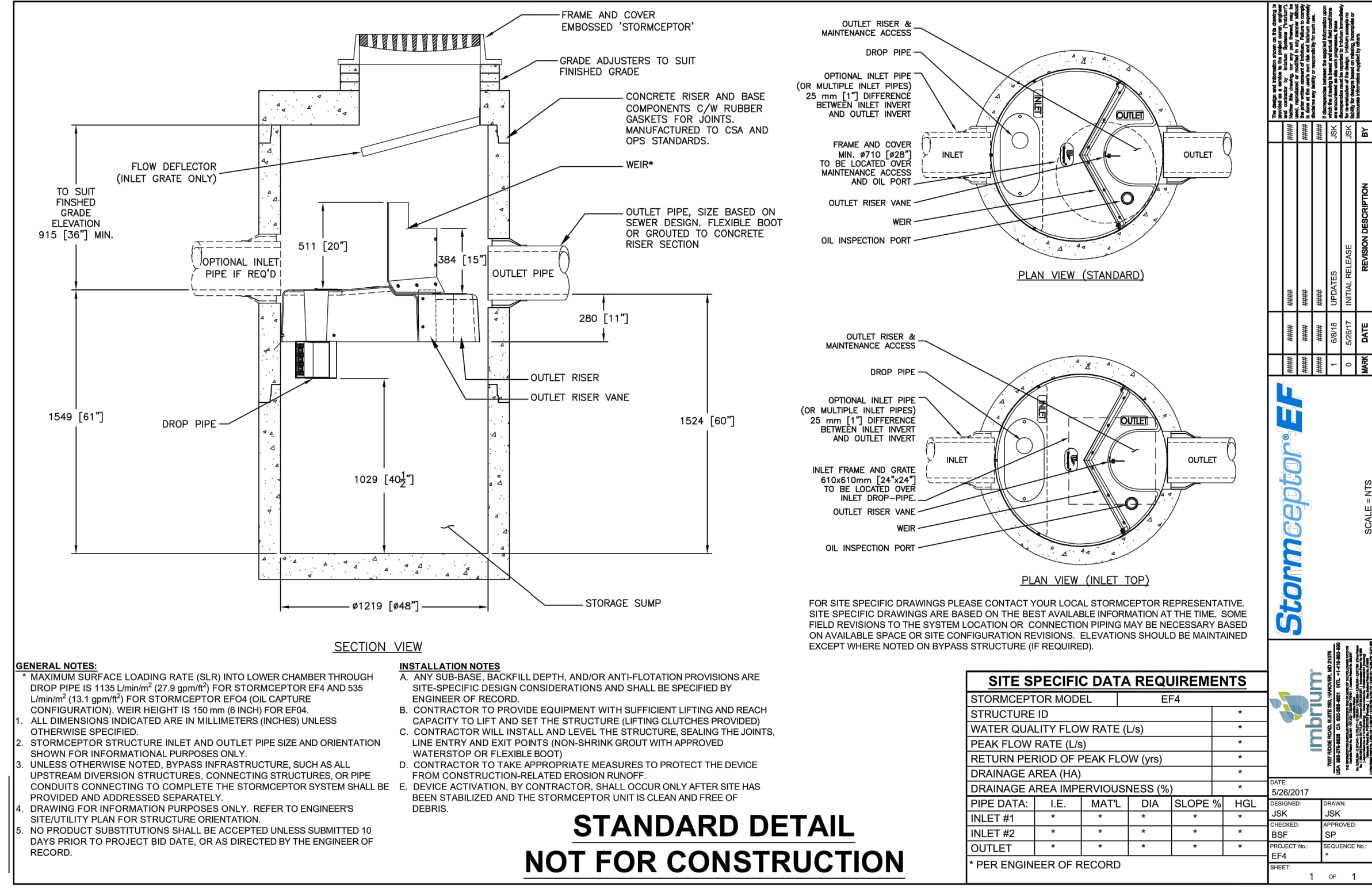
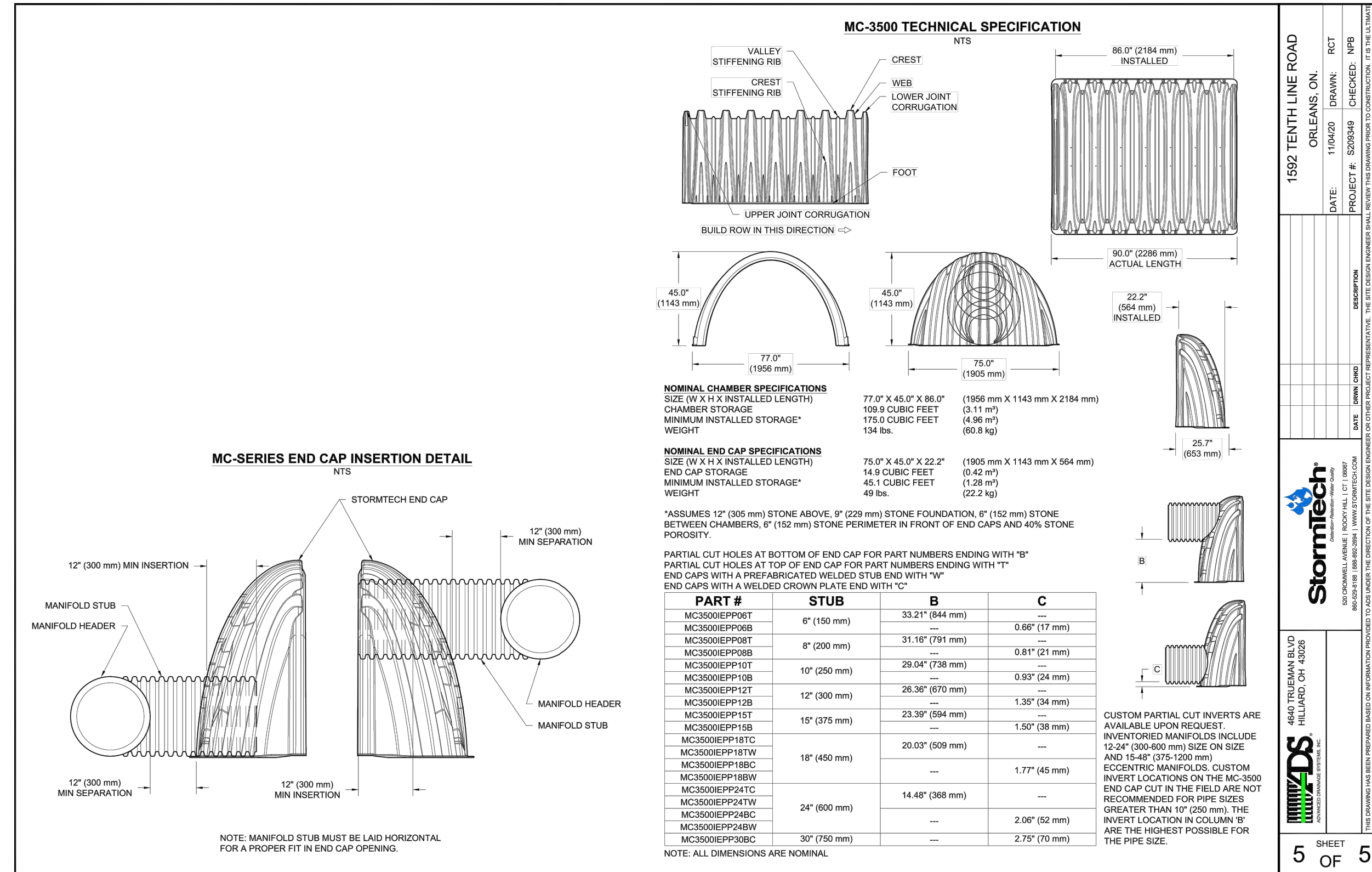


COPYRIGHT RESERVED
 THE CONTRACTOR SHALL VERIFY AND BE RESPONSIBLE OF ALL DIMENSIONS. DO NOT SCALE THE DRAWING. ANY ERRORS OR OMISSIONS SHALL BE REPORTED TO BLANCHARD LETENDRE ENGINEERING LTD. WITHOUT DELAY. THE CONTRACTOR SHALL DESIGN AND DRAWINGS ARE THE PROPERTY OF BLANCHARD LETENDRE ENGINEERING LTD. REPRODUCTION OR USE FOR ANY PURPOSE OTHER THAN THAT AUTHORIZED BY BLANCHARD LETENDRE ENGINEERING LTD. IS STRICTLY PROHIBITED.



ENGINEERING STAMP

LICENSED PROFESSIONAL ENGINEER
 G. L. BRUNET
 100191036
 19/11/2020
 PROVINCE OF ONTARIO

#3	
#7	
#8	
#4	
#3	
#2	
#1	ISSUED FOR SPA 19/11/2020
NO. REVISION	DATE (DDMMYYYY)

CLIENT:

OLIGO DEVELOPMENT
 996-B ST. AUGUSTIN RD.
 EMBRUN, ON

PROJECT:

NEW RESIDENTIAL DEVELOPMENT
 1592 TENTH LINE RD.
 ORLEANS, ON

DRAWING:

DETAILS - 2

PAPER FORMAT: 24x36
 DRAWN BY: BF + GB
 CHECKED BY: GB
 DATE: 01-2021
 SCALE:
 PROJECT NUMBER: 20-363

PAGE:
 C501