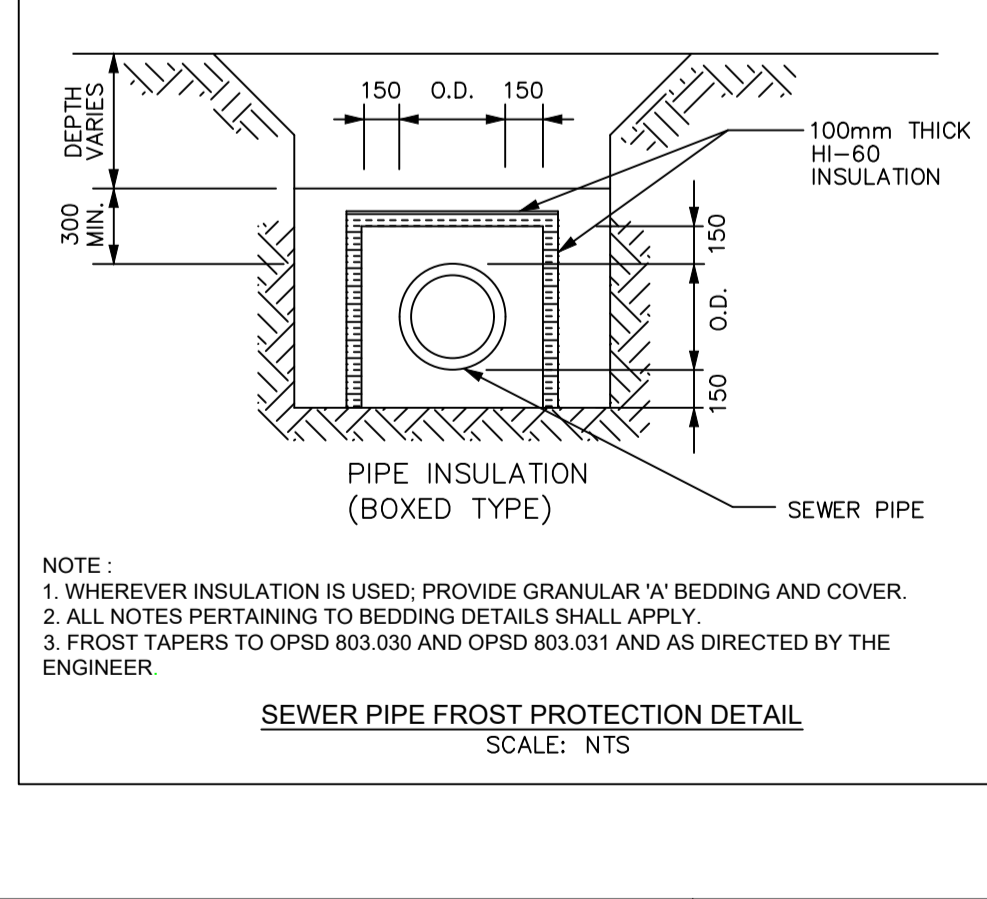
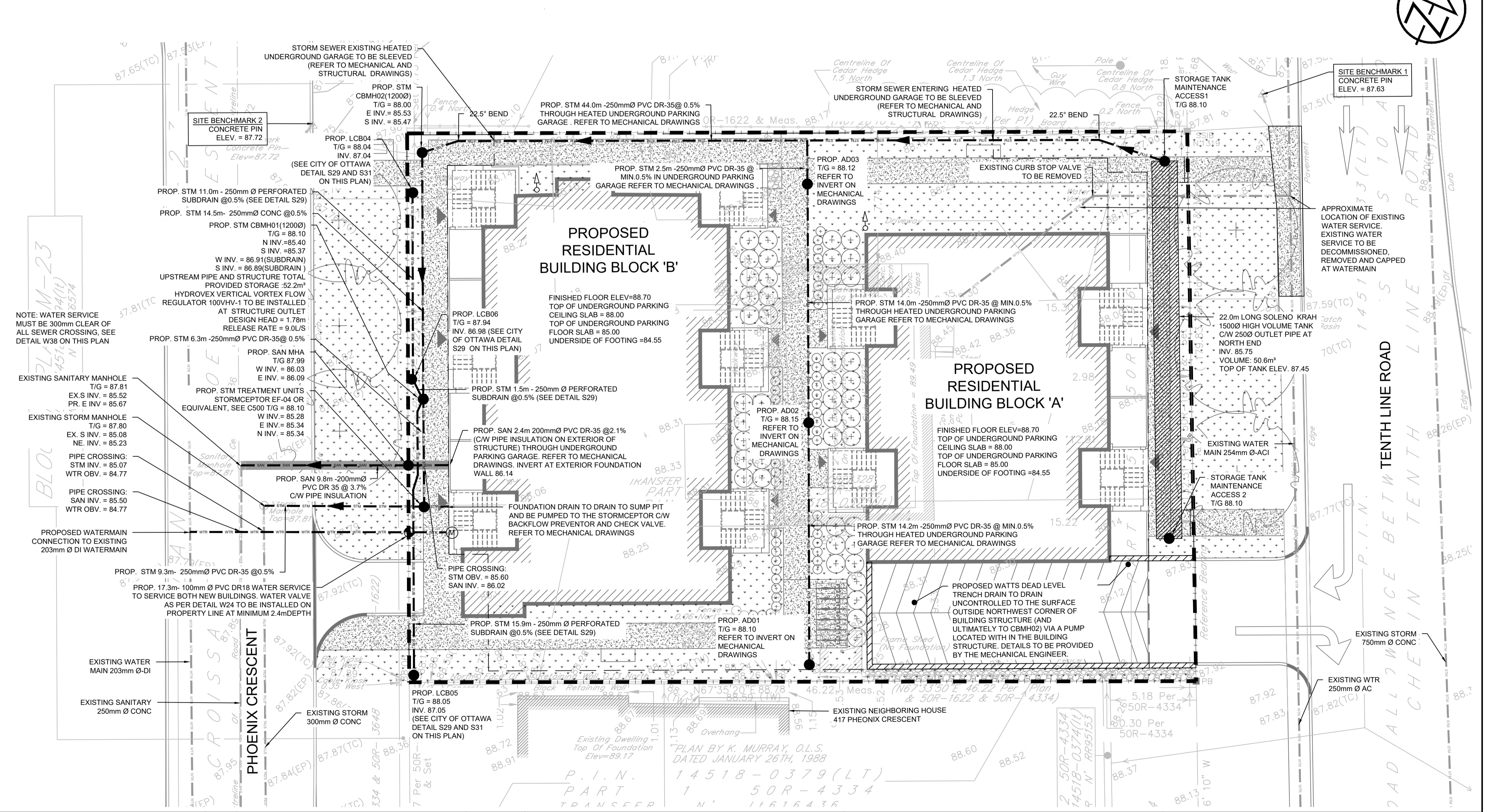


MANHOLE TABLE

STORM		
MH Number	Size	Cover
STM CBMH01	1200mm	S28.1
STM CBMH02	1200mm	S28.1
AD01	SEE MECHANICAL DRAWINGS	
AD02	SEE MECHANICAL DRAWINGS	
AD03	SEE MECHANICAL DRAWINGS	
SANITARY		
MH Number	Size	Cover
MHA	1200mm	S24



DISCLAIMER AND COPYRIGHT

CONTRACTOR MUST VERIFY ALL DIMENSIONS AND BE RESPONSIBLE FOR SAME. ANY DISCREPANCIES MUST BE REPORTED TO THE ENGINEER BEFORE COMMENCING WORK. DRAWINGS ARE NOT TO BE SCALED.

TATHAM ENGINEERING LIMITED CLAIMS COPYRIGHT TO THIS DRAWING WHICH MAY NOT BE USED FOR ANY PURPOSE OTHER THAN THAT PROVIDED IN THE CONTRACT BETWEEN THE OWNER/CLIENT AND THE ENGINEER WITHOUT THE EXPRESS CONSENT OF TATHAM ENGINEERING LIMITED.

LEGAL AND TOPOGRAPHIC SURVEY COMPLETED BY

ARPEGTAGE DUTRISAC SURVEYING INC.

BENCHMARK1: CONCRETE PIN LOCATED ON NORTH EAST CORNER OF THE SITE, ELEVATION: 87.63

BENCHMARK2: CONCRETE PIN LOCATED ON NORTH WEST CORNER OF THE SITE, ELEVATION: 87.72

No.	REVISION DESCRIPTION	DATE	ENGINEER STAMP
1.	ISSUED FOR SPA	DEC. 2022	
2.	AS PER ARCHITECT'S COMMENTS	DEC. 2022	
3.	RE-ISSUED FOR SPA	JUN. 2023	
4.	RE-ISSUED FOR SPA	DEC. 2023	

BRIDOR DEVELOPMENTS
1592 TENTH LINE ROAD
CITY OF OTTAWA

SITE SERVICING PLAN

DESIGN: HY/GC
DRAWN: HY
CHECK: GC

FILE: 522677
DATE: NOV 2022
SCALE: 1:150

DWG: **C300**

DATE: MAY 2001
REV: MARCH 2016
DWG. No.: W24

DATE: MAY 2001
REV: NONE
DWG. No.: W38

DATE: DEC 2002
REV: MARCH 2011
DWG. No.: S14

DATE: MARCH 2007
REV: MARCH 2017
DWG. No.: S29

DATE: MARCH 2007
REV: MARCH 2013
DWG. No.: S31

DATE: DEC 2002
REV: MARCH 2011
DWG. No.: S14

DATE: MARCH 2007
REV: MARCH 2017
DWG. No.: S29

DATE: MARCH 2007
REV: MARCH 2013
DWG. No.: S31

TATHAM ENGINEERING

DESIGN: HY/GC
DRAWN: HY
CHECK: GC

FILE: 522677
DATE: NOV 2022
SCALE: 1:150

DWG: **C300**

18576