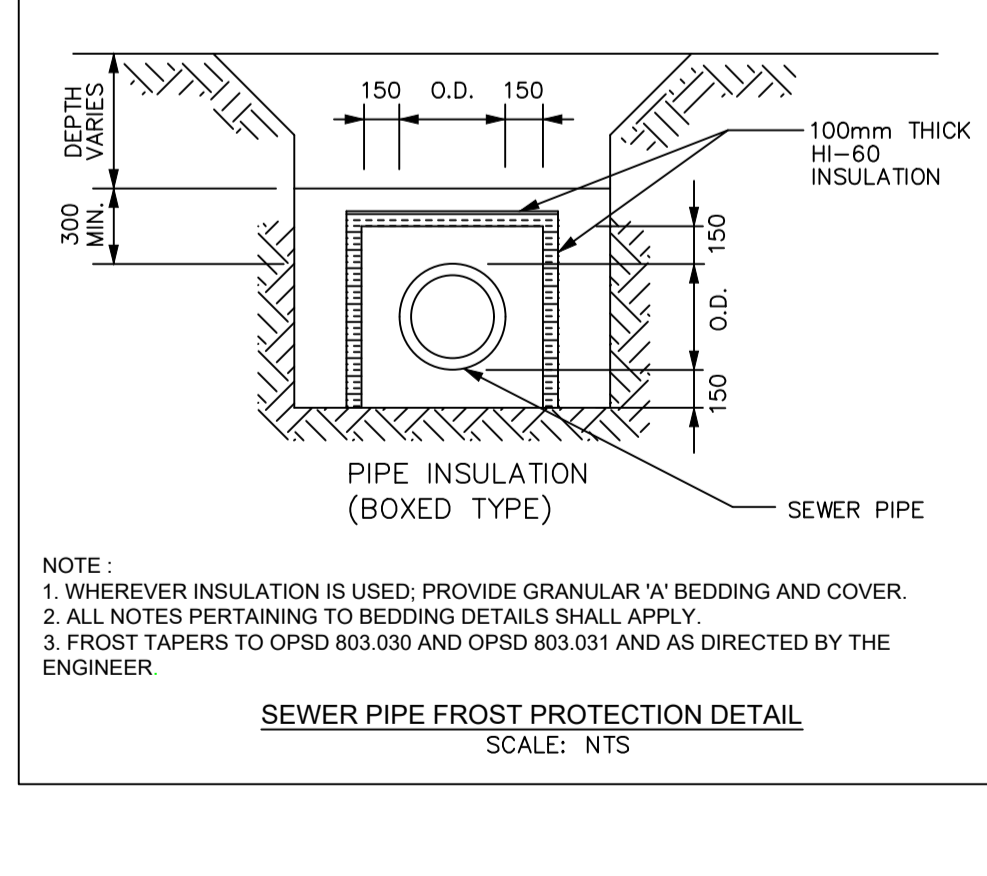
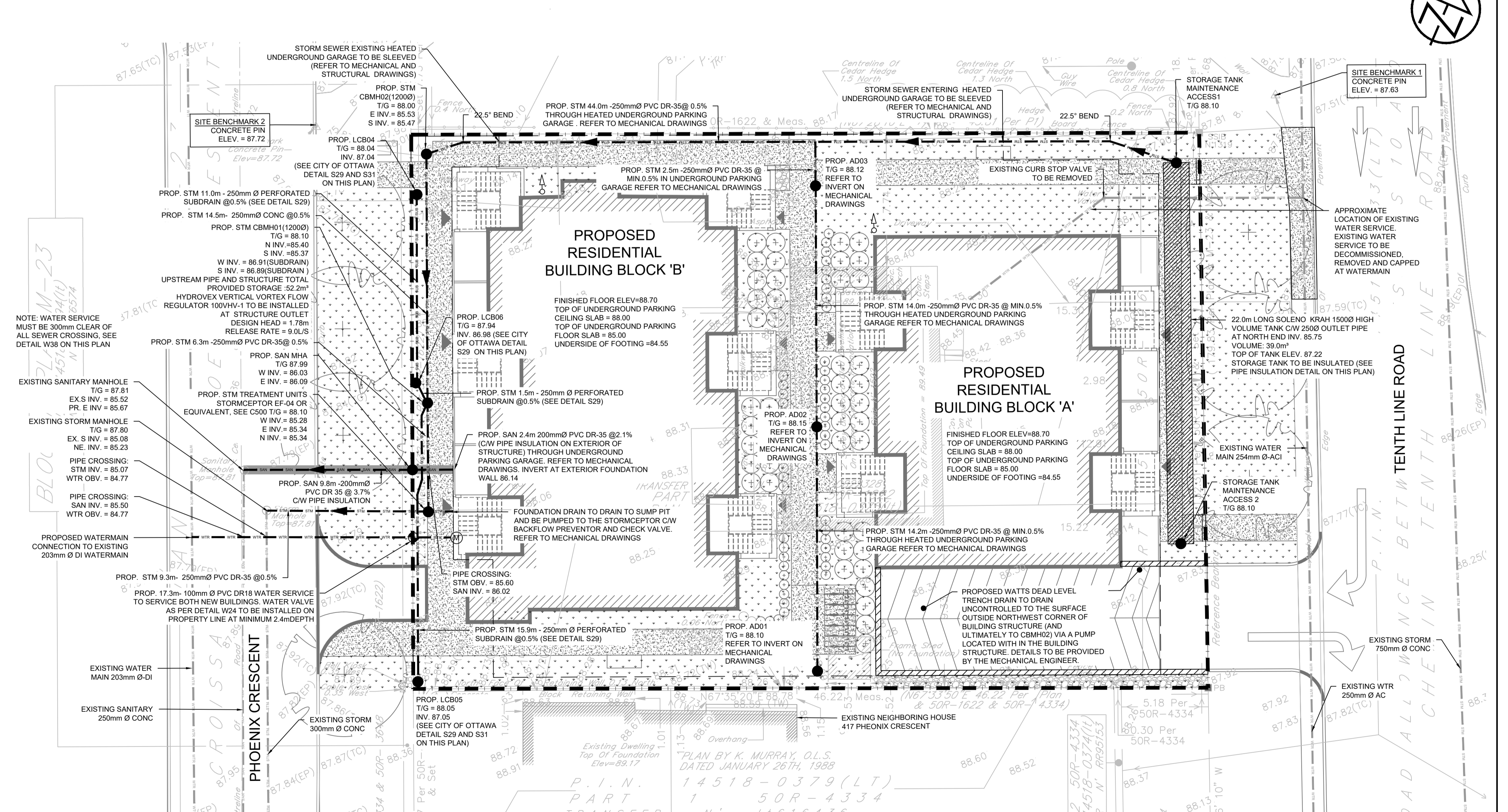


MANHOLE TABLE

STORM		
MH Number	Size	Cover
STM CBMH01	1200mm	S28.1
STM CBMH02	1200mm	S28.1
AD01	SEE MECHANICAL DRAWINGS	
AD02	SEE MECHANICAL DRAWINGS	
AD03	SEE MECHANICAL DRAWINGS	
SANITARY		
MH Number	Size	Cover
MHA	1200mm	S24



DISCLAIMER AND COPYRIGHT

CONTRACTOR MUST VERIFY ALL DIMENSIONS AND BE RESPONSIBLE FOR SAME. ANY DISCREPANCIES MUST BE REPORTED TO THE ENGINEER BEFORE COMMENCING WORK. DRAWINGS ARE NOT TO BE SCALED.

TATHAM ENGINEERING LIMITED CLAIMS COPYRIGHT TO THIS DRAWING WHICH MAY NOT BE USED FOR ANY PURPOSE OTHER THAN THAT PROVIDED IN THE CONTRACT BETWEEN THE OWNER/CLIENT AND THE ENGINEER WITHOUT THE EXPRESS CONSENT OF TATHAM ENGINEERING LIMITED.

LEGAL AND TOPOGRAPHIC SURVEY COMPLETED BY

ARPEGTAGE DUTRISAC SURVEYING INC.

BENCHMARK1: CONCRETE PIN LOCATED ON NORTH EAST CORNER OF THE SITE, ELEVATION: 87.63

BENCHMARK2: CONCRETE PIN LOCATED ON NORTH WEST CORNER OF THE SITE, ELEVATION: 87.72

No.	REVISION DESCRIPTION	DATE	ENGINEER STAMP
1.	ISSUED FOR SPA	DEC. 2022	
2.	AS PER ARCHITECT'S COMMENTS	DEC. 2022	
3.	RE-ISSUED FOR SPA	JUN. 2023	
4.	RE-ISSUED FOR SPA	DEC. 2023	
5.	RE-ISSUED FOR SPA	MAR. 2024	

BRIDOR DEVELOPMENTS
1592 TENTH LINE ROAD
CITY OF OTTAWA

SITE SERVICING PLAN

TATHAM ENGINEERING

DESIGN: HY/GC FILE: 522677 DWG: C300
DRAWN: HY DATE: NOV 2022
CHECK: GC SCALE: 1:150