

APPROVED
By Lily Xu at 1:53 pm, Aug 05, 2022

LILY XU, MCIP, RPP
MANAGER, DEVELOPMENT REVIEW SOUTH
PLANNING, INFRASTRUCTURE & ECONOMIC
DEVELOPMENT DEPARTMENT, CITY OF OTTAWA

LEGEND

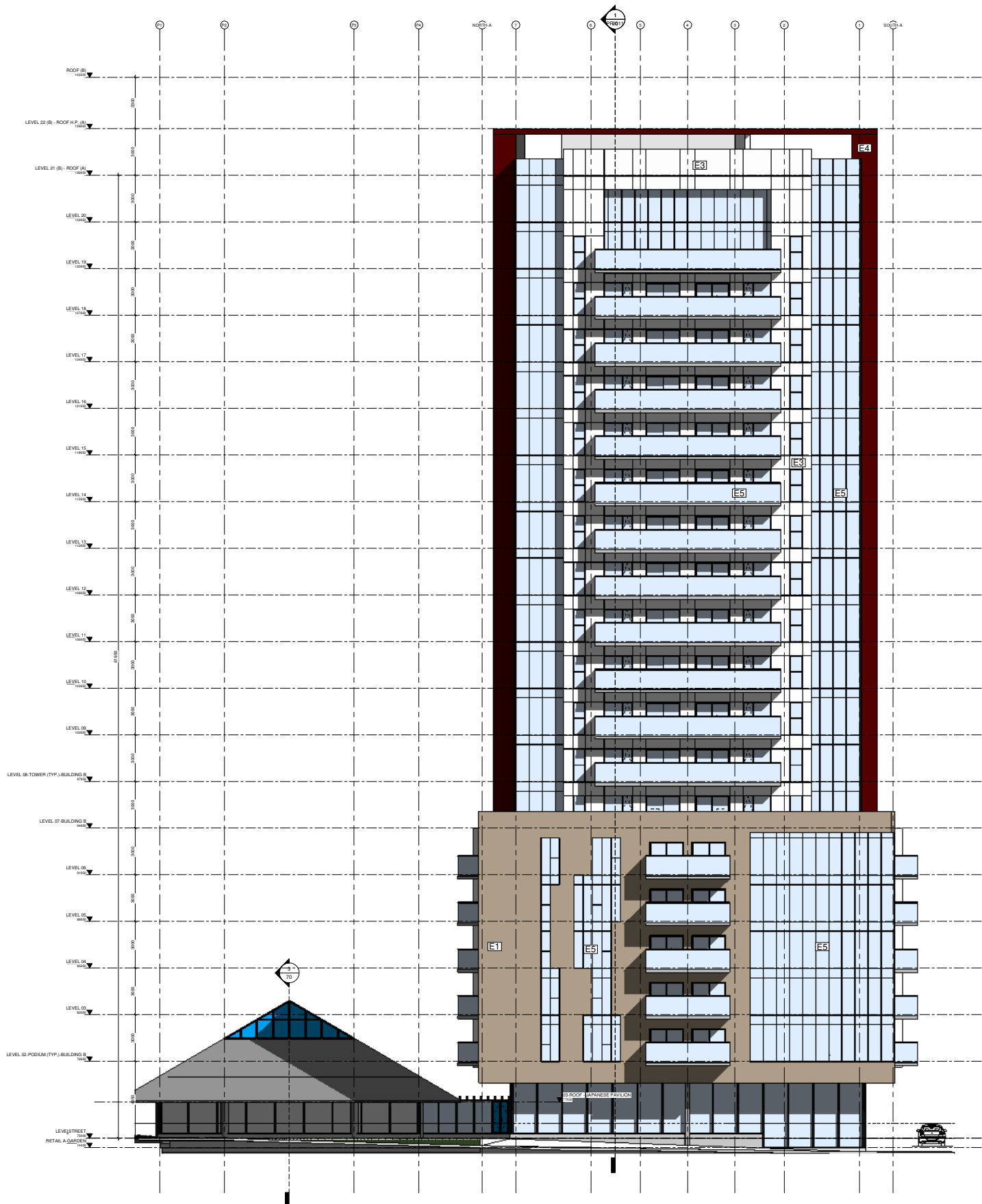
	E1 SCB BRICKS - COLOR MTN. SHADOW SMOOTH OR SIMILAR
	E3 ALUMINIUM PANEL (PANFAB OR EQUIVALENT) NATURAL ALUMINIUM (DARK GRAY)
	E4 ALUMINIUM PANEL (PANFAB OR EQUIVALENT) NATURAL ALUMINIUM (DARK RED)
	E5 WINDOW WALL / CURTAIN WALL / WINDOW / PUNCH WINDOW (ALUMINIUM FRAME)

Design Title:
BUILDING A-SOUTH ELEVATION

Rev : 01	designed by : G.M.
date : 04/05/22	approved by : E.H.
file : 19-042	sheet: 25

1376, CARLING AV.
PHASE 2

D07-12-21-0092
Plan number : 18501



APPROVED

By Lily Xu at 1:56 pm, Aug 05, 2022

LILY XU, MCIP, RPP
MANAGER, DEVELOPMENT REVIEW SOUTH
PLANNING, INFRASTRUCTURE & ECONOMIC
DEVELOPMENT DEPARTMENT, CITY OF OTTAWA

LEGEND

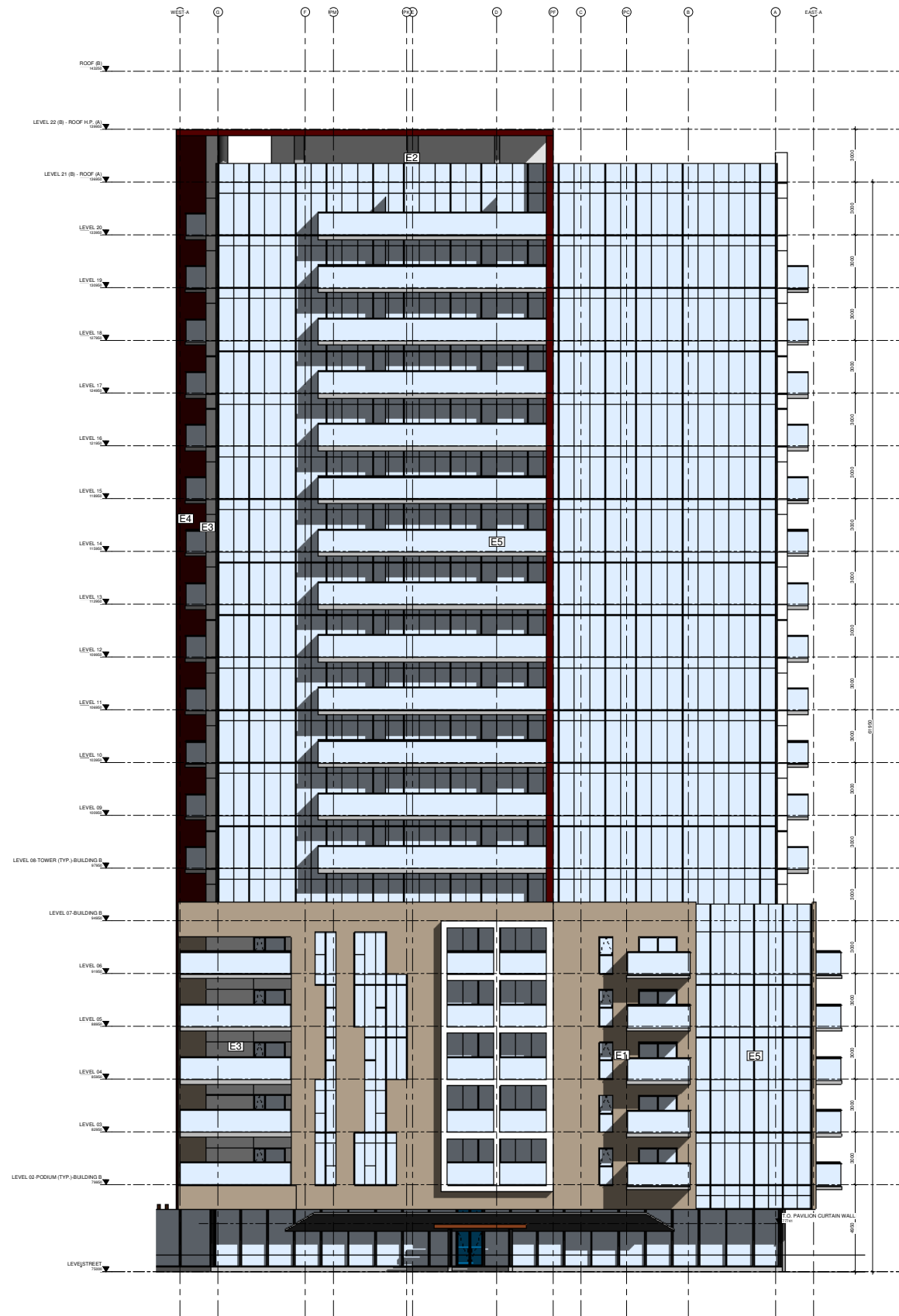
- E1** SCB BRICKS - COLOR MTN. SHADOW SMOOTH OR SIMILAR
- E3** ALUMINIUM PANEL(PANFAB OR EQUIVALENT) NATURAL ALUMINIUM (DARK GRAY)
- E4** ALUMINIUM PANEL(PANFAB OR EQUIVALENT) NATURAL ALUMINIUM (DARK RED)
- E5** WINDOW WALL / CURTAIN WALL / WINDOW / PUNCH WINDOW (ALUMINIUM FRAME)

Design Title:
BUILDING A-EAST
ELEVATION

Rev : 01	designed by : G.M.
date : 04/05/22	approved by : E.H.
file : 19-042	sheet: 26

1376, CARLING AV.
PHASE 2

D07-12-21-0092
Plan number : 18501



APPROVED
By Lily Xu at 1:55 pm, Aug 05, 2022

LILY XU, MCIP, RPP
MANAGER, DEVELOPMENT REVIEW SOUTH
PLANNING, INFRASTRUCTURE & ECONOMIC
DEVELOPMENT DEPARTMENT, CITY OF OTTAWA

LEGEND

	E1 SCB BRICKS - COLOR MTN. SHADOW SMOOTH OR SIMILAR
	E3 ALUMINIUM PANEL (PANFAB OR EQUIVALENT) NATURAL ALUMINIUM (DARK GRAY)
	E4 ALUMINIUM PANEL (PANFAB OR EQUIVALENT) NATURAL ALUMINIUM (DARK RED)
	E5 WINDOW WALL / CURTAIN WALL / WINDOW / PUNCH WINDOW (ALUMINIUM FRAME)

Design Title:
BUILDING A-NORTH
ELEVATION

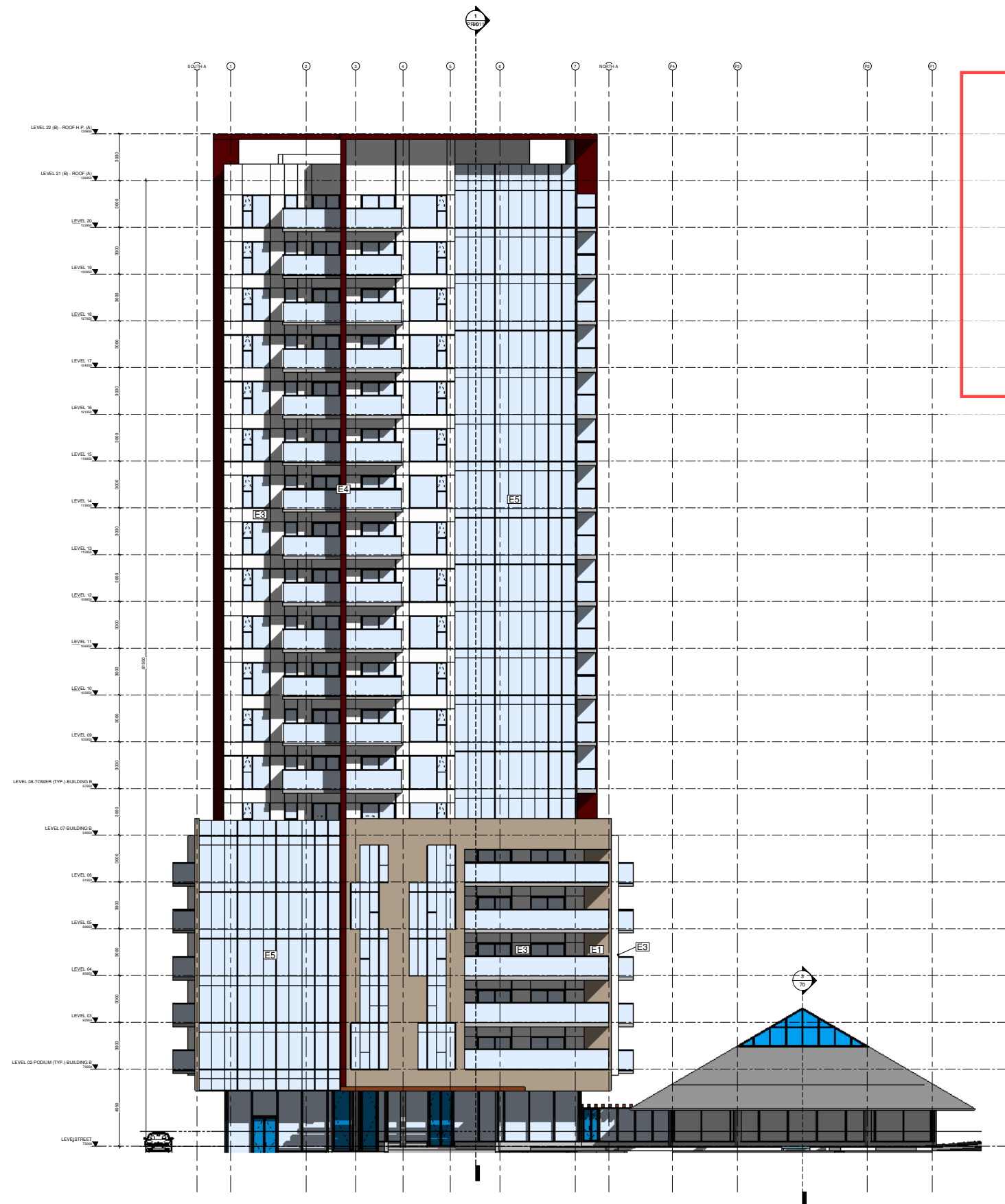
Rev : 01	designed by : G.M.	/
date : 04/05/22	approved by : E.H.	
file : 19-042	sheet:	27

1376, CARLING AV.
PHASE 2

D07-12-21-0092
Plan number : 18501

APPROVED
By Lily Xu at 1:53 pm, Aug 05, 2022

LILY XU, MCIP, RPP
MANAGER, DEVELOPMENT REVIEW SOUTH
PLANNING, INFRASTRUCTURE & ECONOMIC
DEVELOPMENT DEPARTMENT, CITY OF OTTAWA



LEGEND

	SCB BRICKS - COLOR MTN. SHADOW SMOOTH OR SIMILAR
	ALUMINIUM PANEL (PANFAB OR EQUIVALENT) NATURAL ALUMINIUM (DARK GRAY)
	ALUMINIUM PANEL (PANFAB OR EQUIVALENT) NATURAL ALUMINIUM (DARK RED)
	WINDOW WALL / CURTAIN WALL / WINDOW / PUNCH WINDOW (ALUMINIUM FRAME)

1376, CARLING AV.
PHASE 2

Design Title:
BUILDING A-WEST ELEVATION

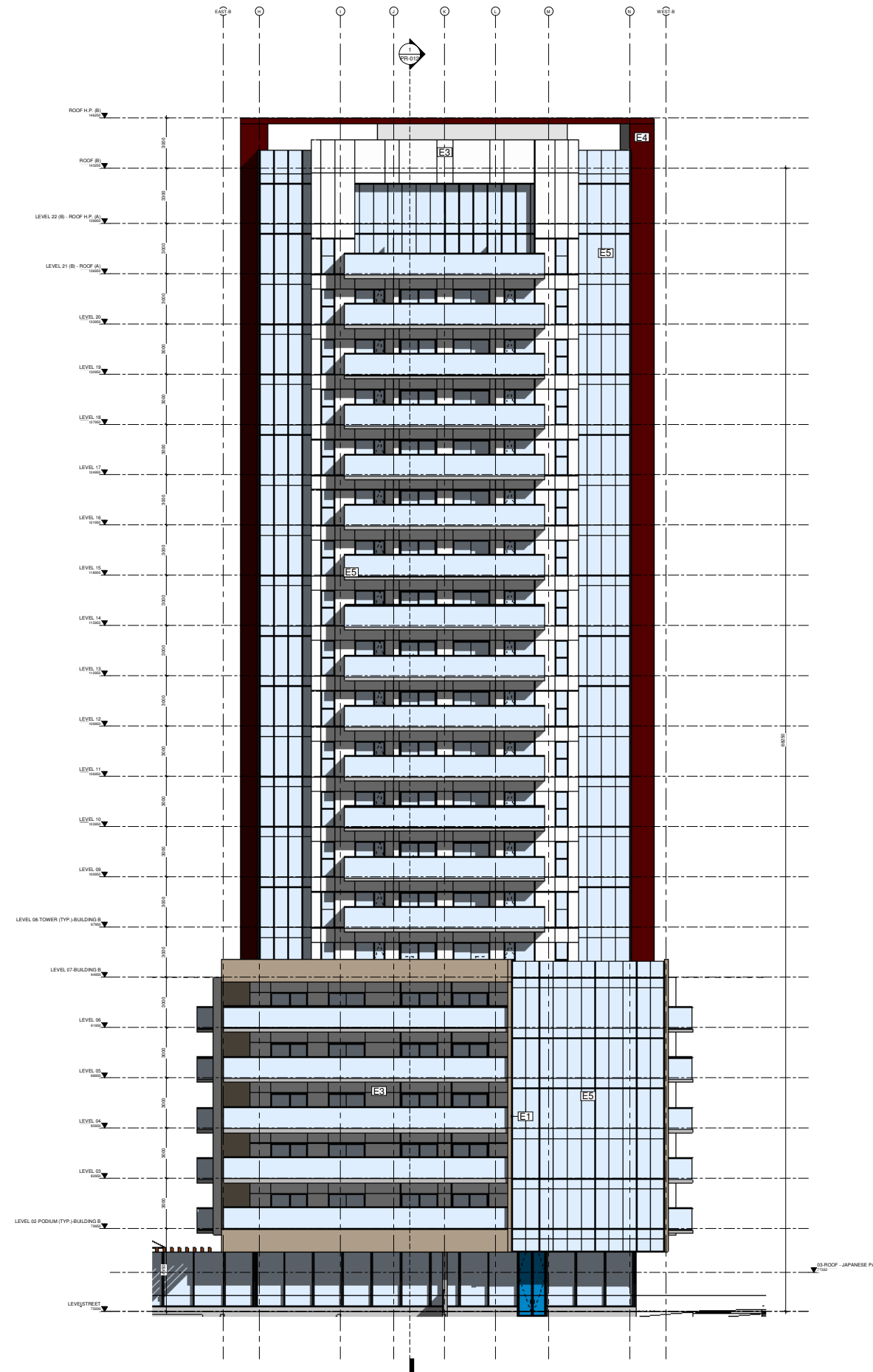
Rev : 01	designed by : G.M.
date : 04/05/22	approved by : E.H.
file : 19-042	sheet: 28

D07-12-21-0092
Plan number : 18501


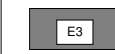

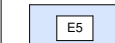
APPROVED

By Lily Xu at 1:54 pm, Aug 05, 2022

LILY XU, MCIP, RPP
MANAGER, DEVELOPMENT REVIEW SOUTH
PLANNING, INFRASTRUCTURE & ECONOMIC
DEVELOPMENT DEPARTMENT, CITY OF OTTAWA



LEGEND

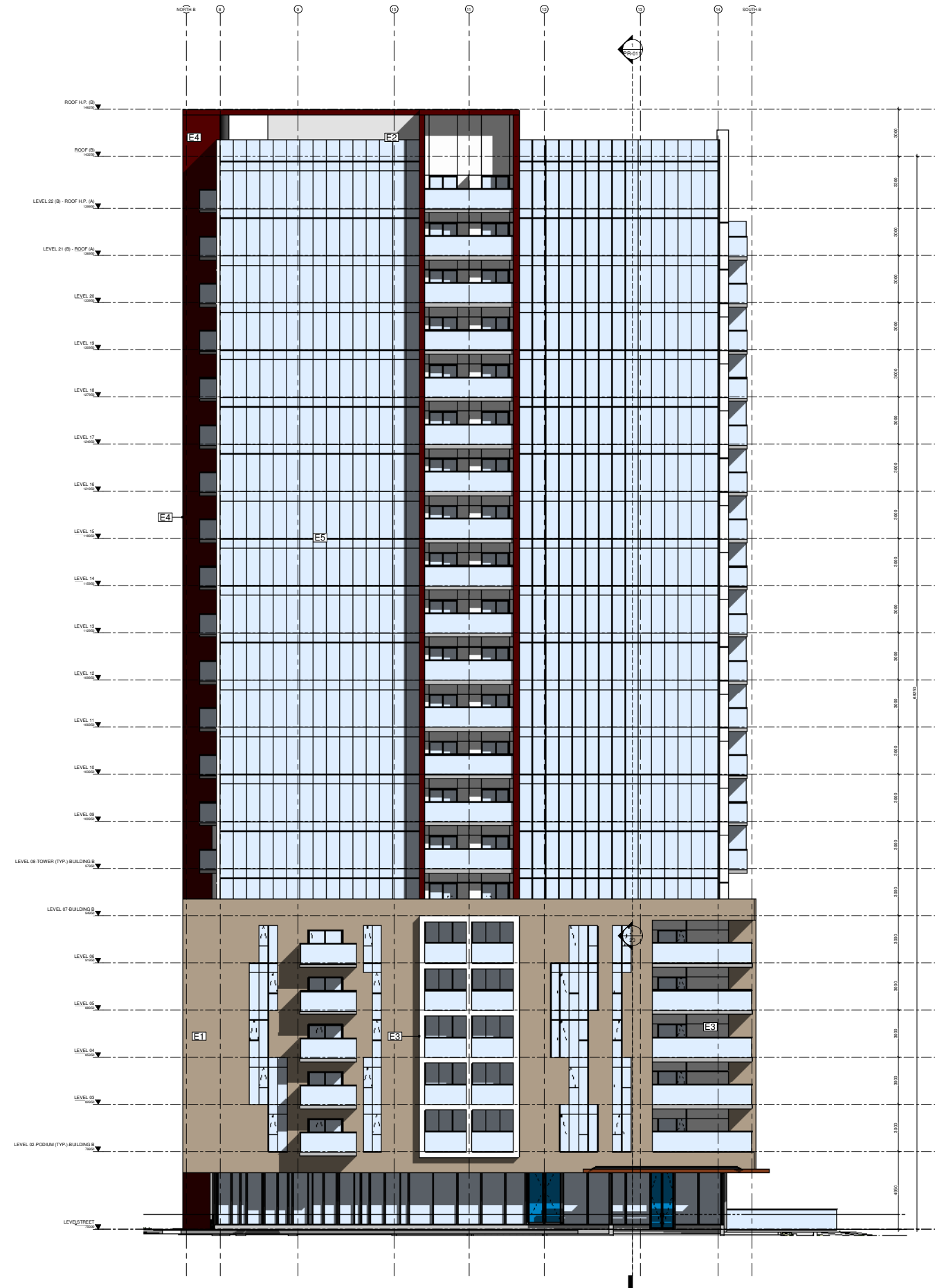
-  E1 SCB BRICKS - COLOR MTN. SHADOW SMOOTH OR SIMILAR
-  E3 ALUMINIUM PANEL(PANFAB OR EQUIVALENT) NATURAL ALUMINIUM (DARK GRAY)
-  E4 ALUMINIUM PANEL(PANFAB OR EQUIVALENT) NATURAL ALUMINIUM (DARK RED)
-  E5 WINDOW WALL / CURTAIN WALL / WINDOW / PUNCH WINDOW (ALUMINIUM FRAME)

1376, CARLING AV.
PHASE 2

Design Title:
BUILDING B-SOUTH
ELEVATION

Rev : 01	designed by : G.M.
date : 04/05/22	approved by : E.H.
file : 19-042	sheet: 32

D07-12-21-0092
Plan number : 18501



LEGEND

	SCB BRICKS - COLOR MTN. SHADOW SMOOTH OR SIMILAR
	ALUMINIUM PANEL(PANFAB OR EQUIVALENT) NATURAL ALUMINIUM (DARK GRAY)
	ALUMINIUM PANEL(PANFAB OR EQUIVALENT) NATURAL ALUMINIUM (DARK RED)
	WINDOW WALL / CURTAIN WALL / WINDOW / PUNCH WINDOW (ALUMINIUM FRAME)

APPROVED

By Lily Xu at 1:54 pm, Aug 05, 2022

LILY XU, MCIP, RPP
MANAGER, DEVELOPMENT REVIEW SOUTH
PLANNING, INFRASTRUCTURE & ECONOMIC
DEVELOPMENT DEPARTMENT, CITY OF OTTAWA

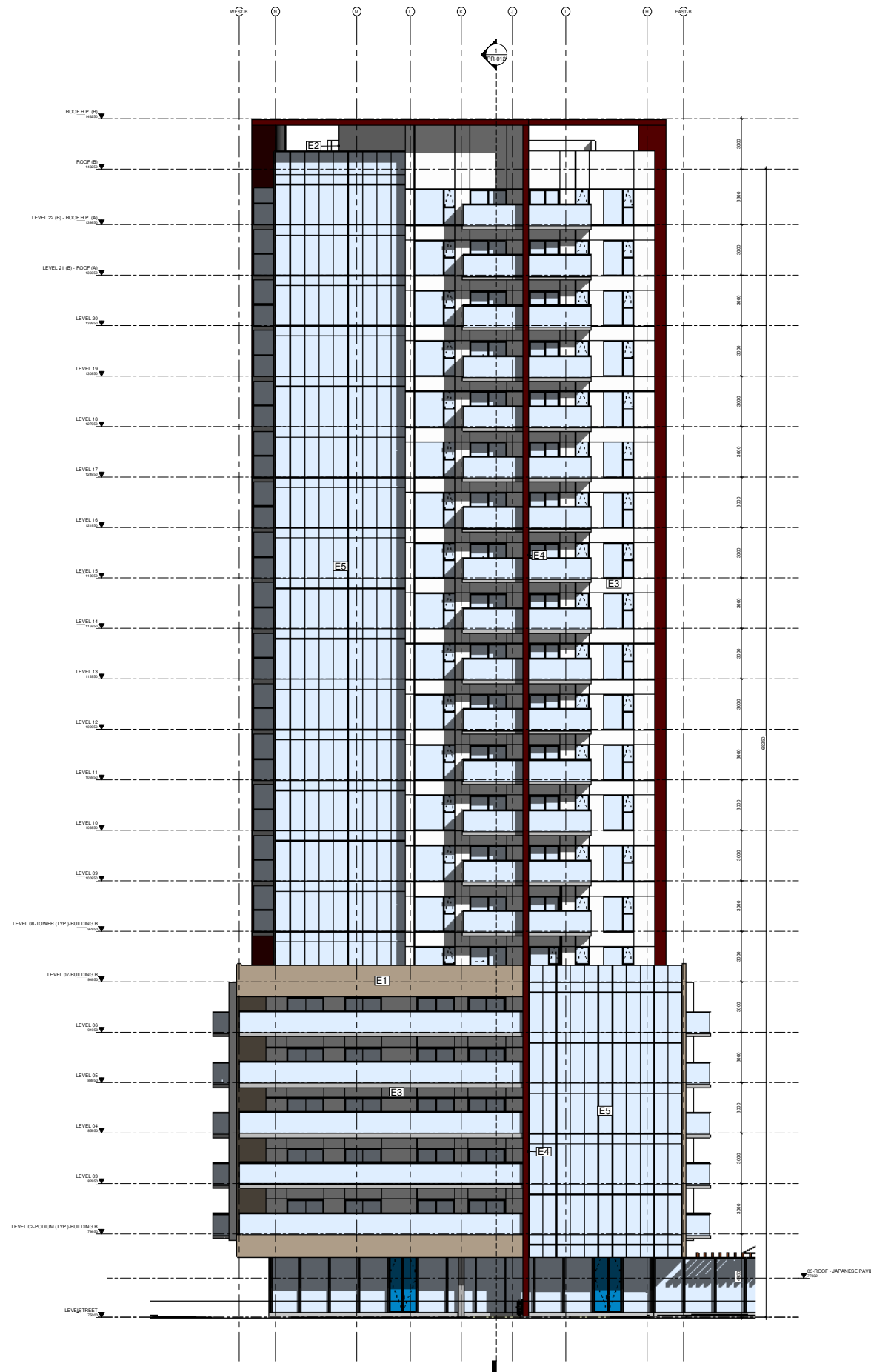
1376, CARLING AV.

PHASE 2

Design Title:
BUILDING B-EAST
ELEVATION

Rev : 01	designed by : G.M.
date : 04/05/22	approved by : E.H.
file : 19-042	sheet: 33

D07-12-21-0092
Plan number : 18501



APPROVED
By Lily Xu at 1:54 pm, Aug 05, 2022

LILY XU, MCIP, RPP
MANAGER, DEVELOPMENT REVIEW SOUTH
PLANNING, INFRASTRUCTURE & ECONOMIC
DEVELOPMENT DEPARTMENT, CITY OF OTTAWA

LEGEND

- E1** SCB BRICKS - COLOR MTN. SHADOW SMOOTH OR SIMILAR
- E3** ALUMINIUM PANEL(PANFAB OR EQUIVALENT) NATURAL ALUMINIUM (DARK GRAY)
- E4** ALUMINIUM PANEL(PANFAB OR EQUIVALENT) NATURAL ALUMINIUM (DARK RED)
- E5** WINDOW WALL / CURTAIN WALL / WINDOW / PUNCH WINDOW (ALUMINIUM FRAME)

Design Title:
BUILDING B-NORTH
ELEVATION

Rev : 01	designed by : G.M.
date : 04/05/22	approved by : E.H.
file : 19-042	sheet: 34

1376, CARLING AV.
PHASE 2

D07-12-21-0092
Plan number : 18501



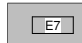
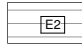

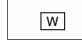


1376, CARLING AV.
PHASE 2

APPROVED
By Lily Xu at 1:56 pm, Aug 05, 2022

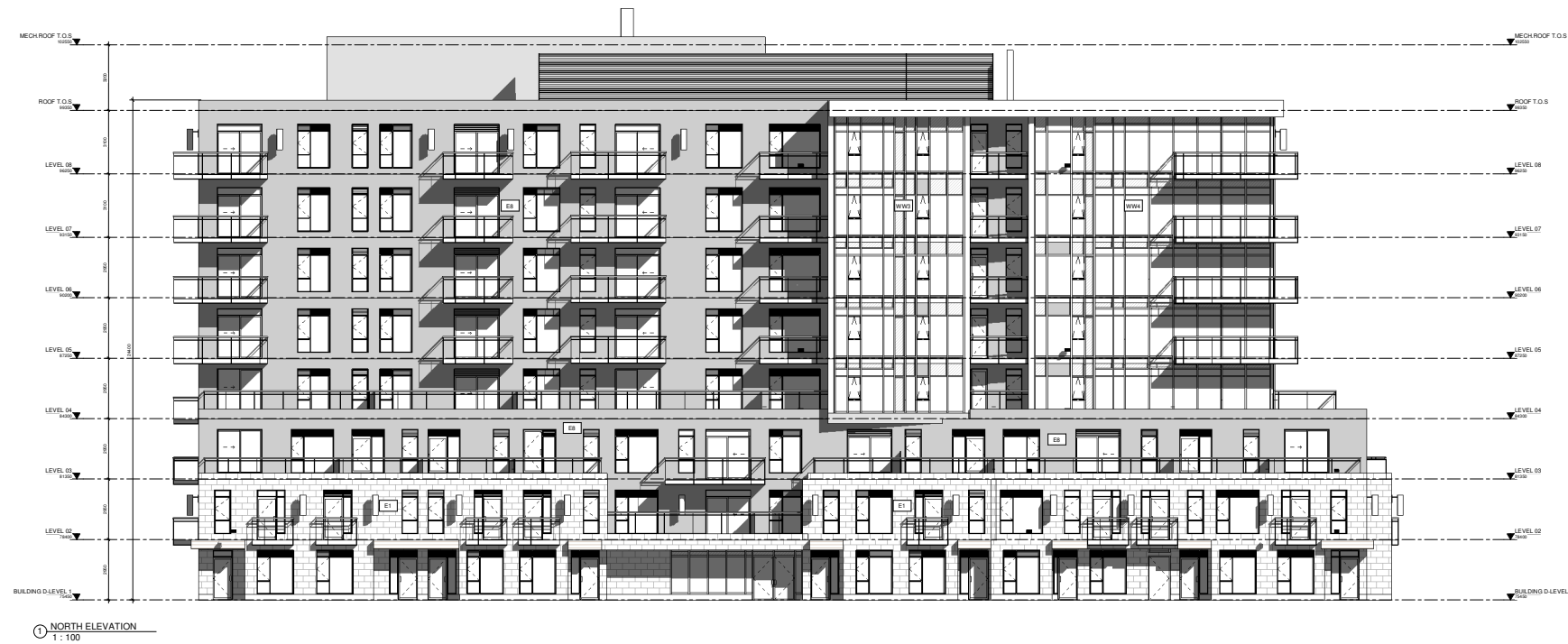


LILY XU, MCIP, RPP
MANAGER, DEVELOPMENT REVIEW SOUTH
PLANNING, INFRASTRUCTURE & ECONOMIC
DEVELOPMENT DEPARTMENT, CITY OF OTTAWA

LEGEND	
	BLOCK MASONRY (LIGHT GREY, GRANITEX FINISH, TECO BLOC OR EQUIVALENT)
	BRICK MASONRY (BELDEN, BLACK DIAMOND OR EQUIVALENT)
	ALUMINIUM PANEL (PANFAB OR EQUIVALENT) NATURAL ALUMINIUM (COLOUR JUPITER)
	HOR. METAL SIDING WITH WOODGRAIN FINISH
	GLASS RAILINGS, RAMP-ART (OR EQUIVALENT) FROSTED GLASS
	WINDOW WALL / CURTAIN WALL / WINDOW / PUNCH WINDOW (ALUMINIUM FRAME)

Design Title:
BUILDING D-S/E
ELEVATION

Rev : 01	designed by : G.M.	/
date : 04/05/22	approved by : E.H.	
file : 19-042	sheet:	40



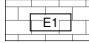
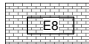
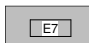
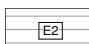
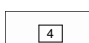
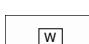
1376, CARLING AV.
PHASE 2

APPROVED
By Lily Xu at 1:55 pm, Aug 05, 2022



LILY XU, MCIP, RPP
MANAGER, DEVELOPMENT REVIEW SOUTH
PLANNING, INFRASTRUCTURE & ECONOMIC
DEVELOPMENT DEPARTMENT, CITY OF OTTAWA

LEGEND

	BLOCK MASONRY (LIGHT GREY, GRANITEX FINISH, TECO BLOC OR EQUIVALENT)
	BRICK MASONRY (BELDEN, BLACK DIAMOND OR EQUIVALENT)
	ALUMINIUM PANEL (PANFAB OR EQUIVALENT) NATURAL ALUMINIUM (COLOUR JUPITER)
	HOR. METAL SIDING WITH WOODGRAIN FINISH
	GLASS RAILINGS, RAMP-ART (OR EQUIVALENT) FROSTED GLASS
	WINDOW WALL / CURTAIN WALL / WINDOW / PUNCH WINDOW (ALUMINIUM FRAME)

Design Title:
BUILDING D-N/W ELEVATION

Rev : 01	designed by : G.M.
date : 04/05/22	approved by : E.H.
file : 19-042	sheet: 41