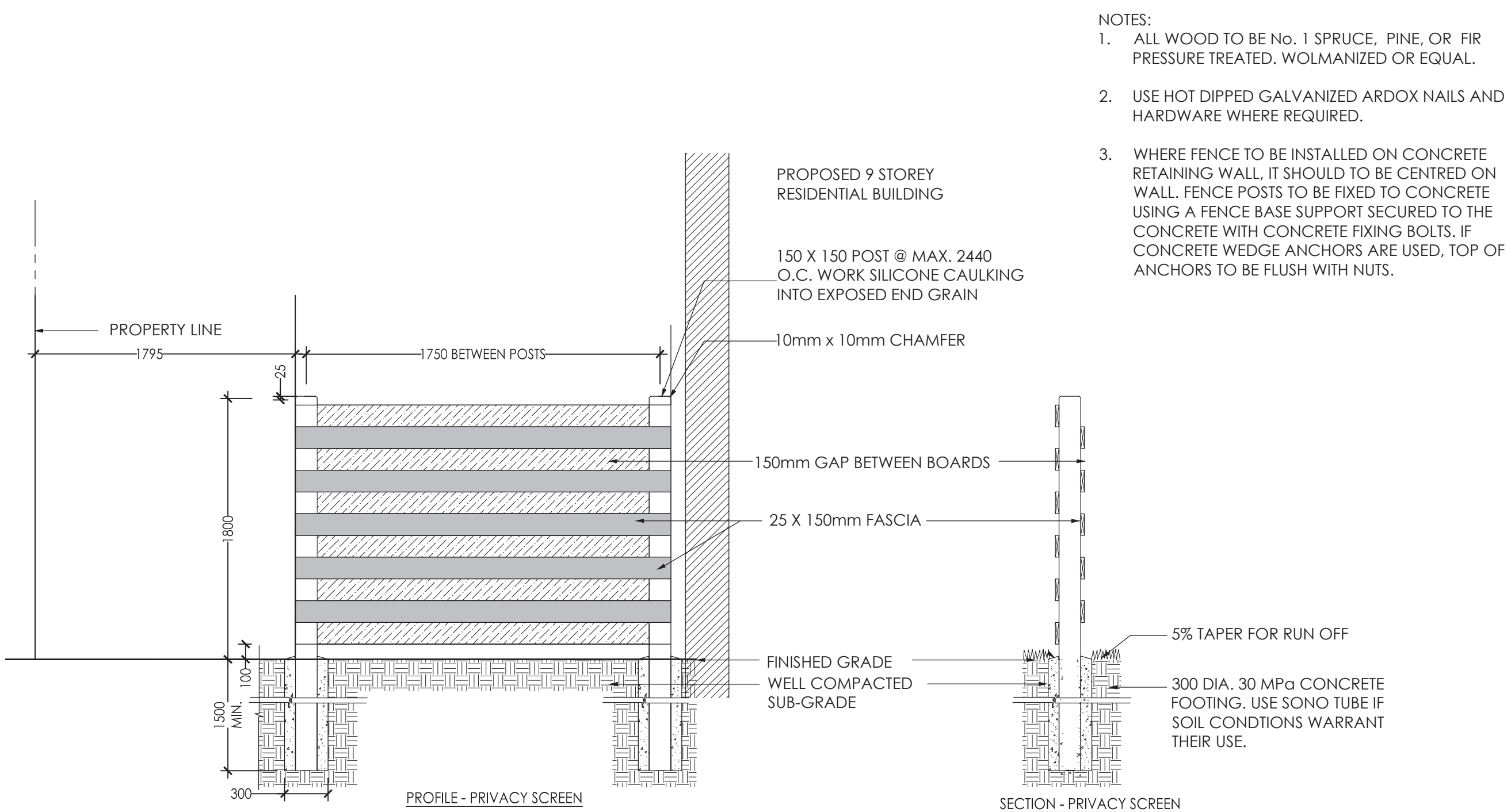


Copyright Reserved

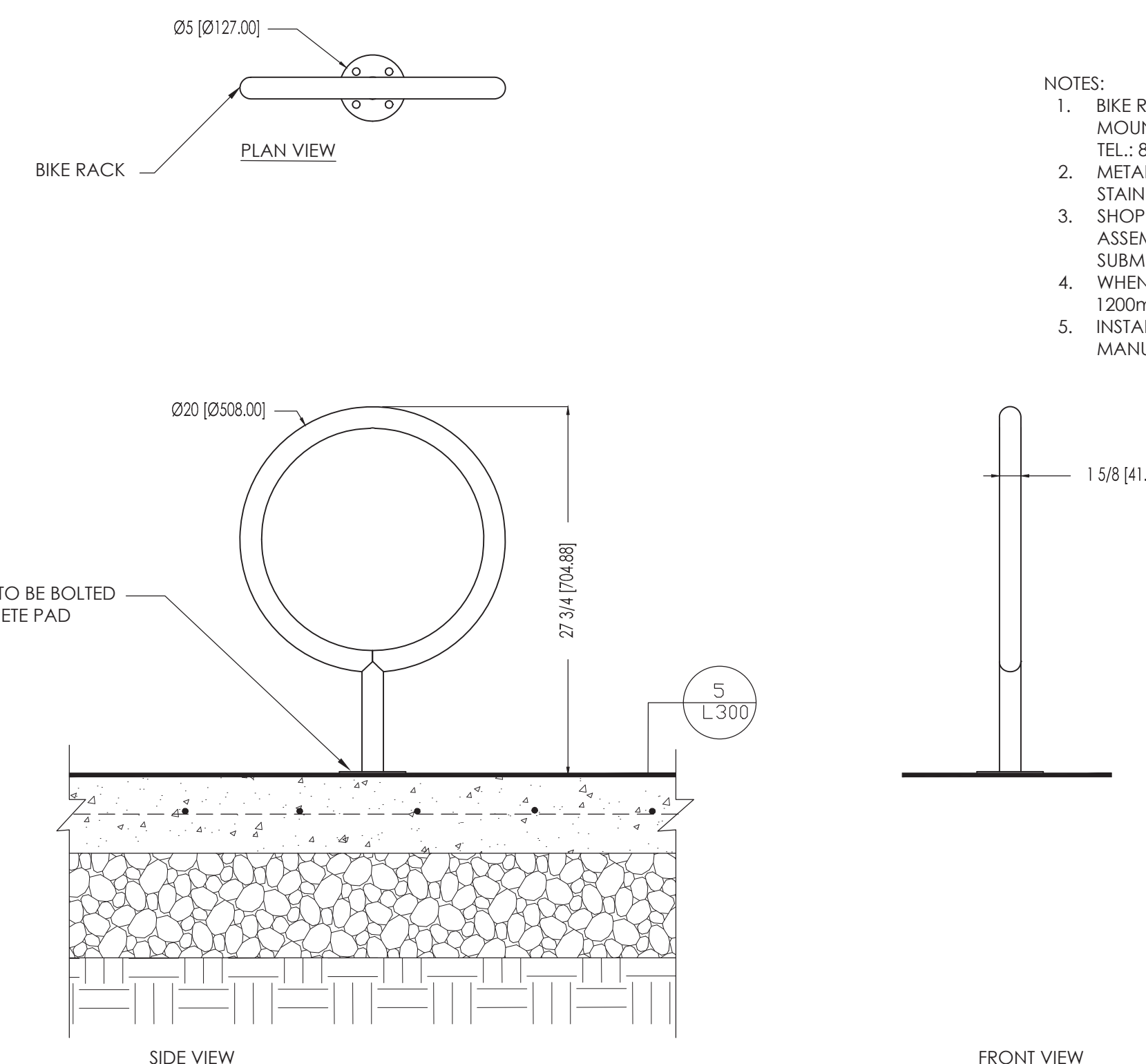
The Contractor shall verify and be responsible for all dimensions. DO NOT scale the drawing - any errors or omissions shall be reported to Stantec without delay. The Copyrights to all designs and drawings are the property of Stantec. Reproduction or use for any purpose other than that authorized by Stantec is forbidden.

Legend



- NOTES:
- ALL WOOD TO BE No. 1 SPRUCE, PINE, OR FIR PRESSURE TREATED, WOLMANIZED OR EQUAL.
  - USE HOT DIPPED GALVANIZED ARDOX NAILS AND HARDWARE WHERE REQUIRED.
  - WHERE FENCE TO BE INSTALLED ON CONCRETE RETAINING WALL, IT SHOULD BE CENTRED ON WALL. FENCE POSTS TO BE FIXED TO CONCRETE USING A FENCE BASE SUPPORT SECURED TO THE CONCRETE WITH CONCRETE FIXING BOLTS. IF CONCRETE WEDGE ANCHORS ARE USED, TOP OF ANCHORS TO BE FLUSH WITH NUTS.

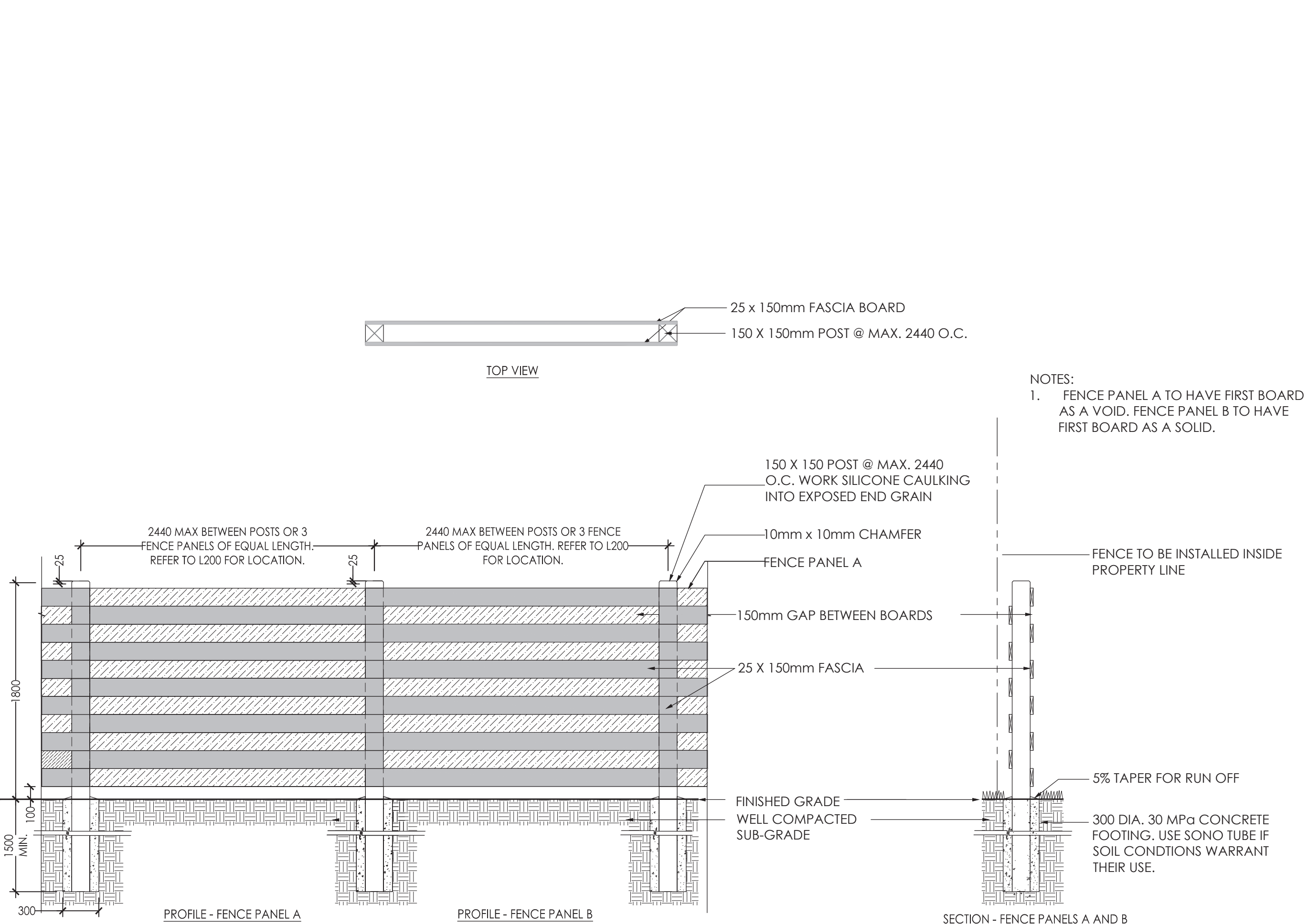
**1** 1.8m HT PRIVACY SCREEN  
1:30



NOTES:

- BIKE RACK TO BE MODEL MBR150 BICYCLE RACK, SURFACE MOUNT INSTALLATION, AS SUPPLIED BY MAGLIN SITE FURNITURE. TEL: 800-716-5506, OR APPROVED EQUIVALENT.
- METAL TO BE POWDER-COATED IN SILVER 14, FASTENED WITH STAINLESS STEEL ANTI-VANDAL HARDWARE
- SHOP DRAWINGS INDICATING MODEL, DIMENSIONS, SIZES, ASSEMBLY, ANCHORAGE AND INSTALLATION DETAILS TO BE SUBMITTED FOR APPROVAL PRIOR TO ORDERING.
- WHEN INSTALLED IN GROUPINGS, BIKE RACKS TO BE INSTALLED 1200mm O/C., AS INDICATED ON LANDSCAPE PLAN.
- INSTALLATION TO BE COMPLETED IN ACCORDANCE WITH MANUFACTURER'S SPECIFICATIONS.

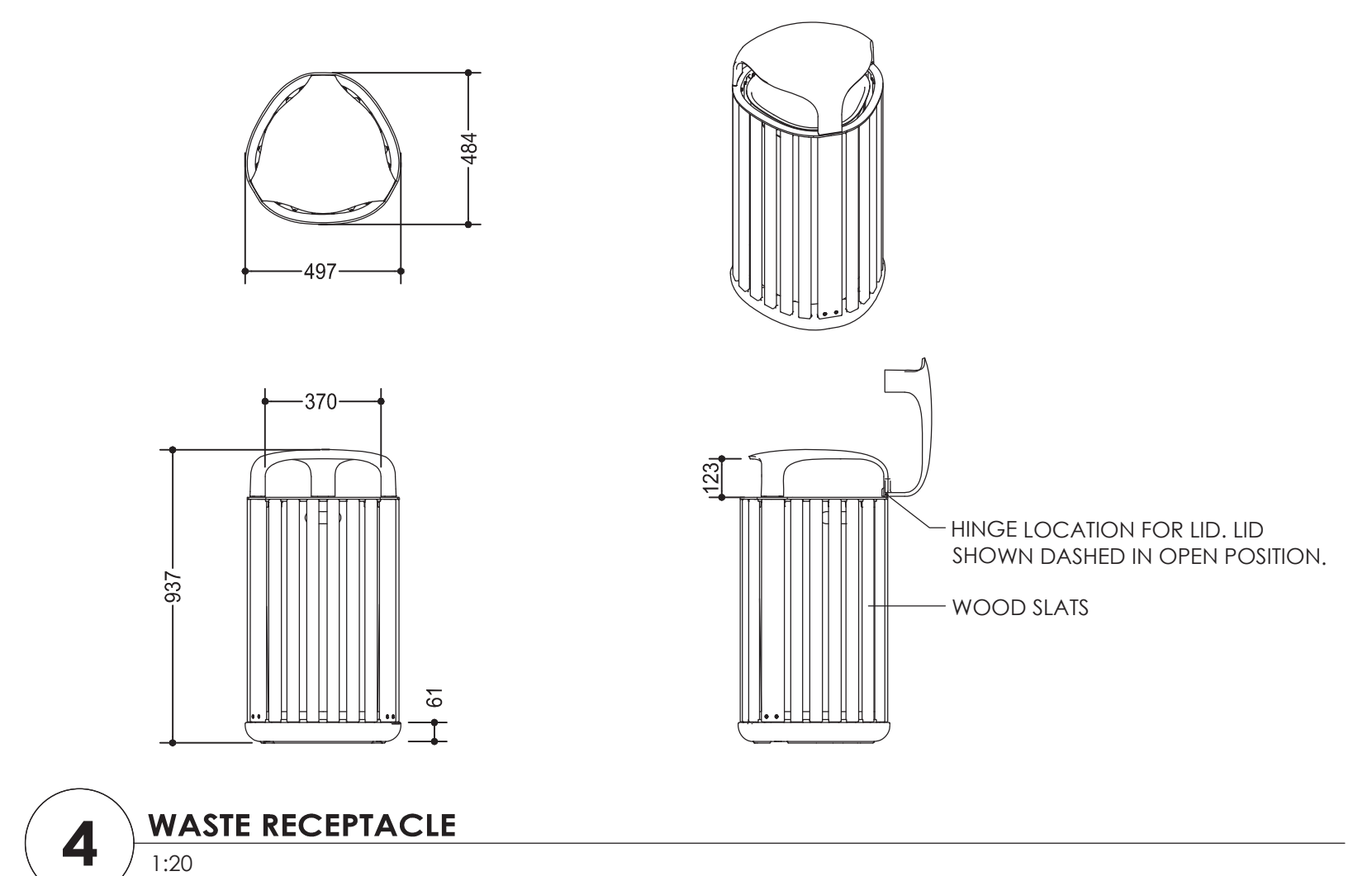
**3** BIKE RACK INSTALLATION  
1:10



- NOTES:
- FENCE PANEL A TO HAVE FIRST BOARD AS A VOID. FENCE PANEL B TO HAVE FIRST BOARD AS A SOLID.

- NOTES:
- ALL WOOD TO BE No. 1 SPRUCE, PINE, OR FIR PRESSURE TREATED, WOLMANIZED OR EQUAL.
  - USE HOT DIPPED GALVANIZED ARDOX NAILS AND HARDWARE WHERE REQUIRED.
  - WHERE FENCE TO BE INSTALLED ON CONCRETE RETAINING WALL, IT SHOULD BE CENTRED ON WALL. FENCE POSTS TO BE FIXED TO CONCRETE USING A FENCE BASE SUPPORT SECURED TO THE CONCRETE WITH CONCRETE FIXING BOLTS. IF CONCRETE WEDGE ANCHORS ARE USED, TOP OF ANCHORS TO BE FLUSH WITH NUTS.
  - FENCE PANELS TO BE CONSTRUCTED IN A MODULAR PATTERN STARTING WITH FENCE PANEL A.

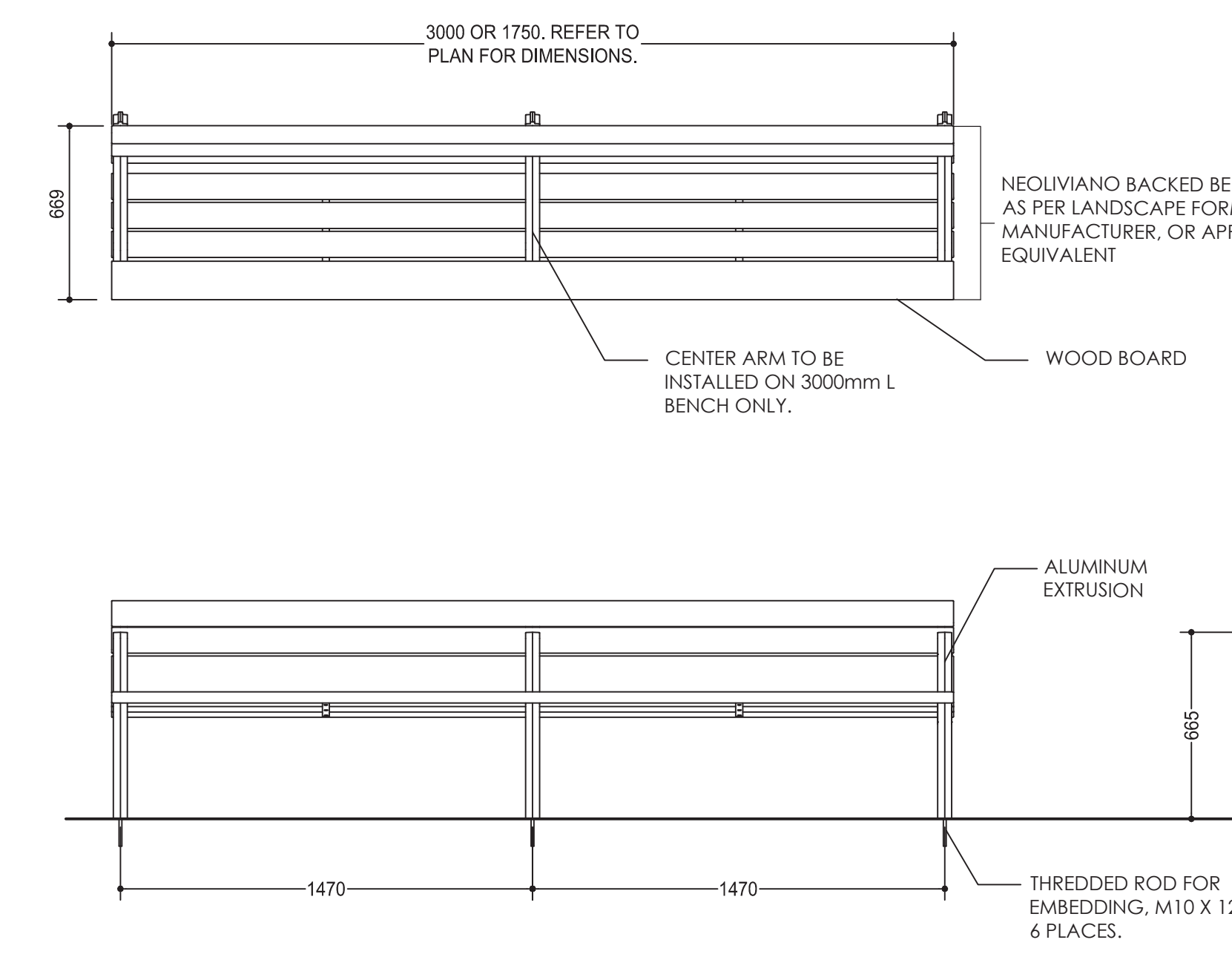
**2** HORIZONTAL WOOD FENCE WITH OPENINGS - FENCE PANEL A  
1:30



NOTES:

- WASTE RECEPTACLE TO BE FGP BY LANDSCAPE FORMS, OR APPROVED EQUIVALENT.
- WOOD SLATS TO BE JARRAH WOOD GRAIN WITH NO FINISH.
- CAST ALUMINUM PARTS TO BE POWDERCOATED WITH A SILVER METALLIC FINISH.
- WASTE RECEPTACLE TO BE INSTALLED AS PER MANUFACTURER'S SPECIFICATIONS.

**4** WASTE RECEPTACLE  
1:20



NOTES:

- BENCH TO BE NEOLIVIANO BY LANDSCAPE FORMS, OR APPROVED EQUIVALENT.
- WOOD BOARDS TO BE JARRAH WITH NO FINISH.
- CAST ALUMINUM PARTS TO BE POWDERCOATED WITH A SILVER METALLIC FINISH.
- BENCHES TO BE INSTALLED AS PER MANUFACTURER'S SPECIFICATIONS.

**5** BENCH DETAIL  
1:20

Notes

- SITE PLAN PREPARED BY FIGURR, DATED FEBRUARY, 2022.
- TOPOGRAPHIC SURVEY PREPARED BY FARLEY, SMITH AND DENIS SURVEYING LTD, DATED JANUARY 12, 2021.

| Revision | By  | Appd. | YY.MM.DD |
|----------|-----|-------|----------|
| 4        | CA  | CP    | 2022.11  |
| 3        | CA  | CP    | 2022.08  |
| 2        | CTL | CP    | 2022.03  |
| 1        | CTL | ILL   | 2021.06  |

File Name: 160401667-48

| Dwn. | Chkd. | Dgn. | YY.MM.DD |
|------|-------|------|----------|
| CTL  | ILL   | ILL  | 2021-05  |

Permit-Seal



Client/Project  
1238407 CANADA INC.  
971 MONTREAL ROAD  
OTTAWA, ON

Title  
LANDSCAPE DETAILS AND NOTES

| Project No. | Scale  |
|-------------|--------|
| 160401667   | VARIES |

| Drawing No. | Sheet  | Revision |
|-------------|--------|----------|
| L301        | 4 of 4 | 4        |