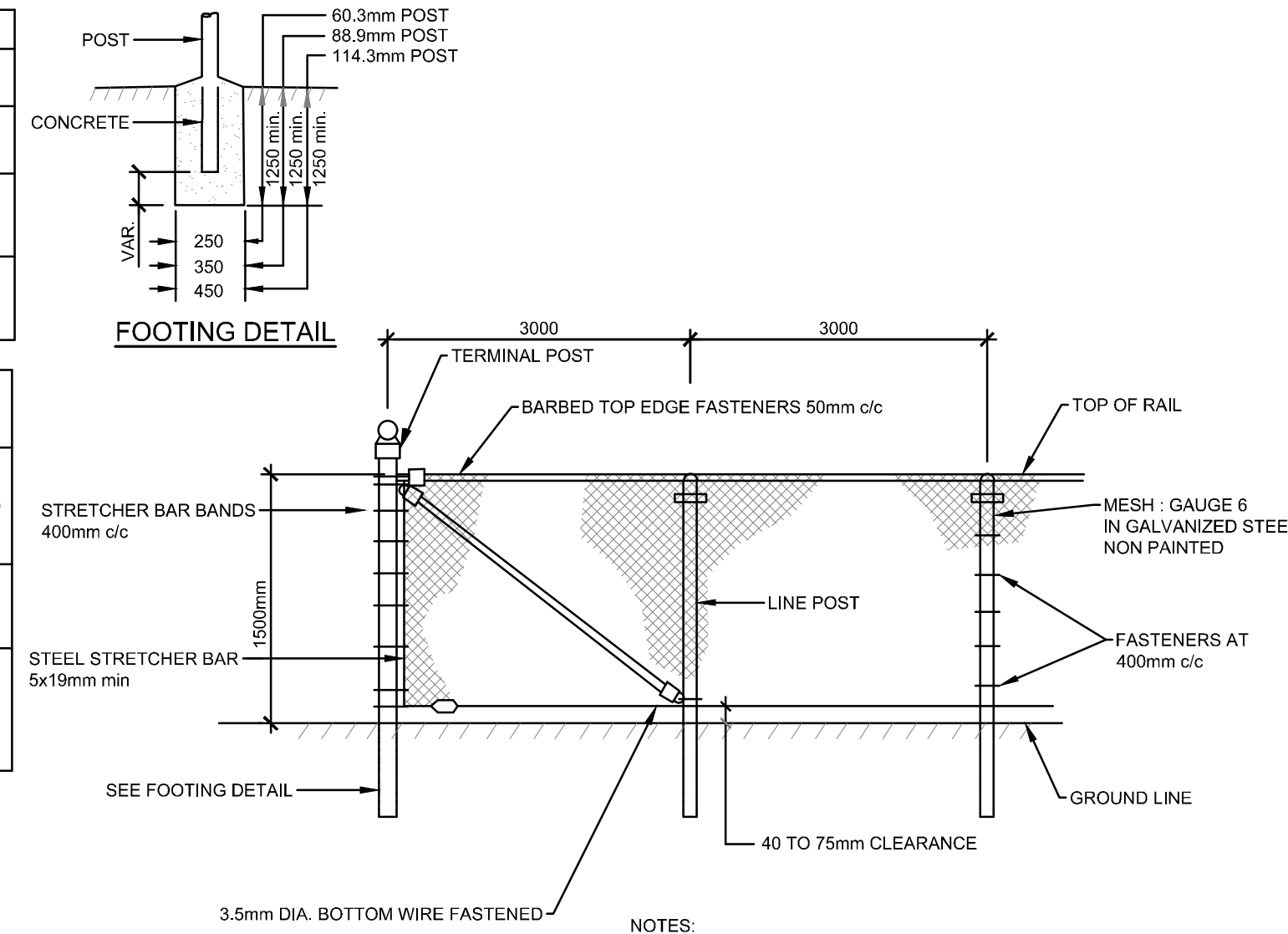


POST DETAILS				
POST TYPE	OUTSIDE DIA. (mm)	POST LENGTH		SLEEVES
		STANDARD (m)	RETAINING WALLS (m)	
LINE POST	60.3	2.6	2.0	88.9
END, CORNER, OR STRAINING POST	88.9	2.9	2.3	114.3

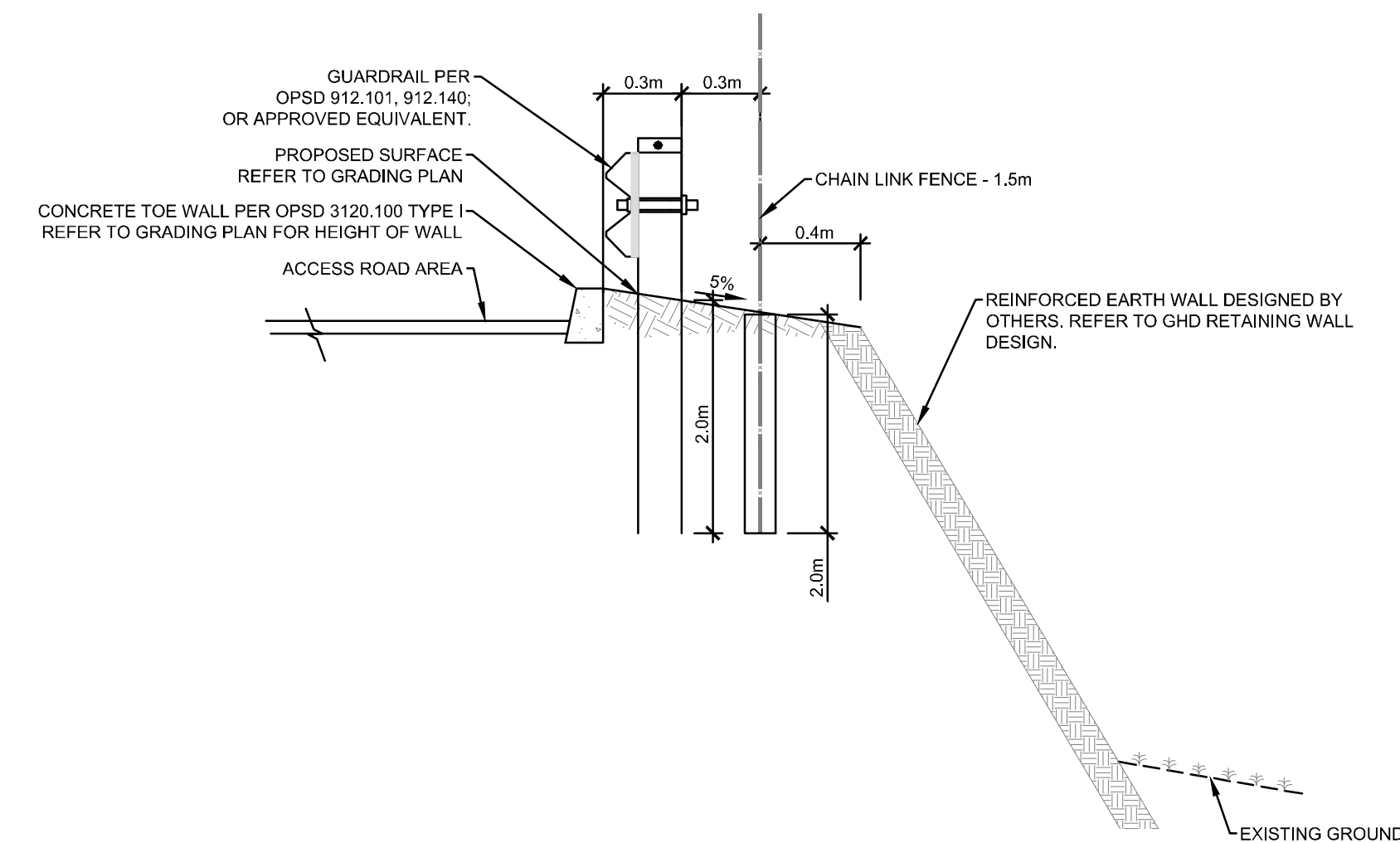
GATE AND GATE POST DETAILS			
GATE TYPE AND MAX. OPENING (m)	FRAME MEMBER REINFORC. MIN. OUT. DIA. (mm)	POST DIA. MIN. OD (mm)	LENGTH STANDART (m)
SINGLE SWING 4.5 SINGLE SWING 6.0 DOUBLE SWING 9.0	48.3	114.3	2.9

NOTE:
GATE LEAVES GREATER THAN 3.6m IN WIDTH ARE SUPPLIED WITH DIAGONAL BRACES.



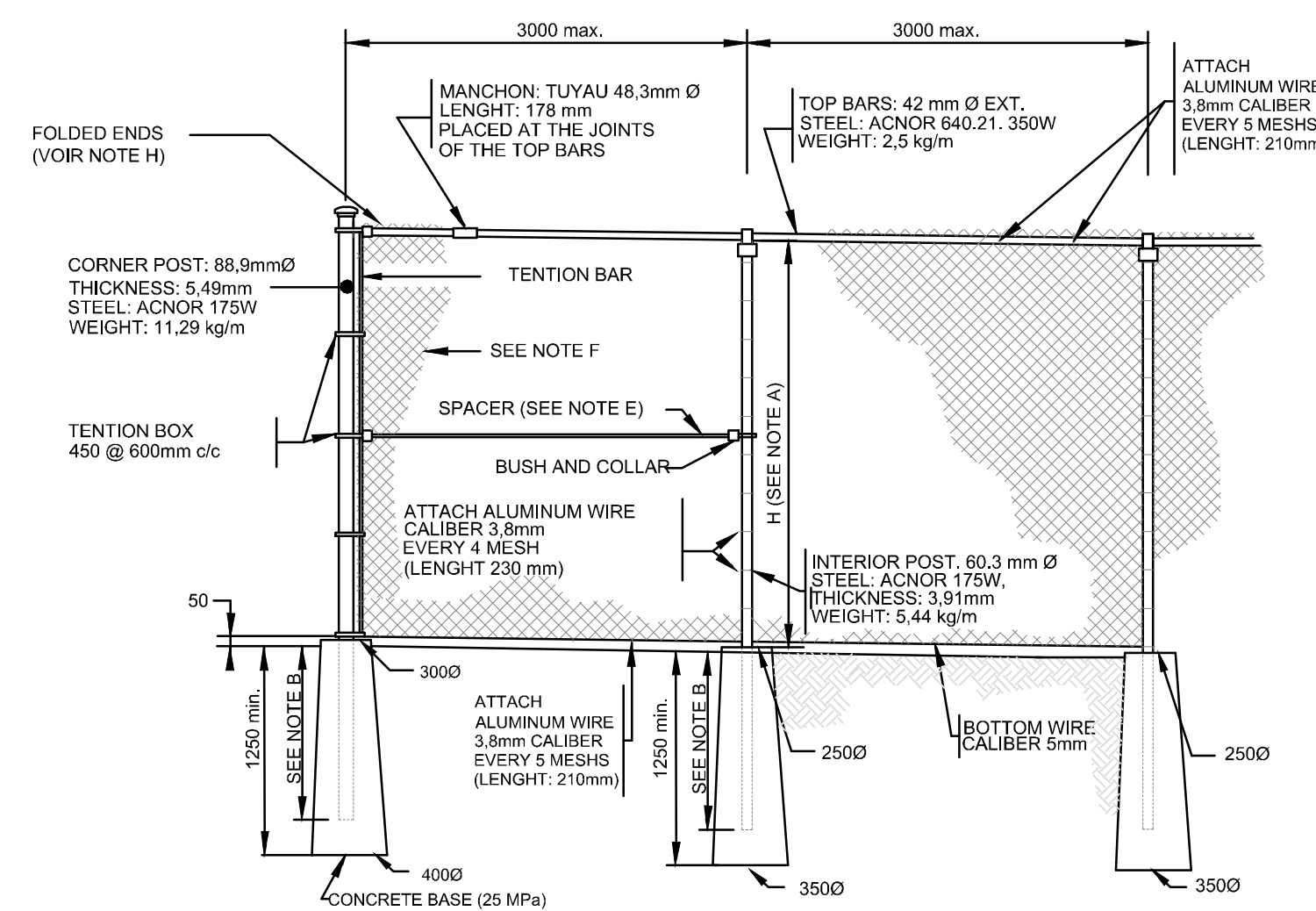
- NOTES:
1. ALL FASTENERS MADE OF GALVANIZED STEEL (NO ALUMINUM)
 2. TOP OF RAIL TYPE "KNUCKLE/KNUCKLE" (NO POINTY EDGE)

126 CHAIN LINK FENCE
AUCUNE / NTS



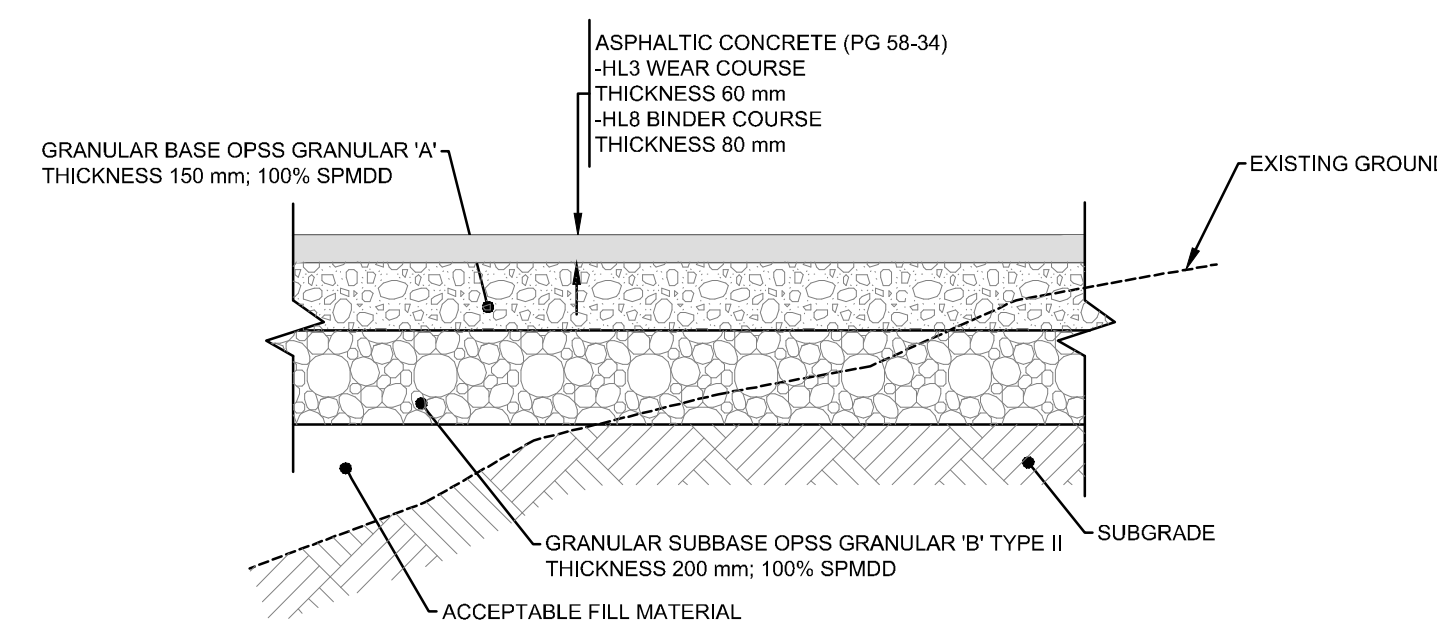
NOTES:
- INSTALLATION OF GUARDRAIL AND FENCE POSTS BY AUGERING STRICTLY PROHIBITED.

138 TYPICAL SECTION - RETAINING WALL, GUARDRAIL AND FENCE
AUCUNE / NTS

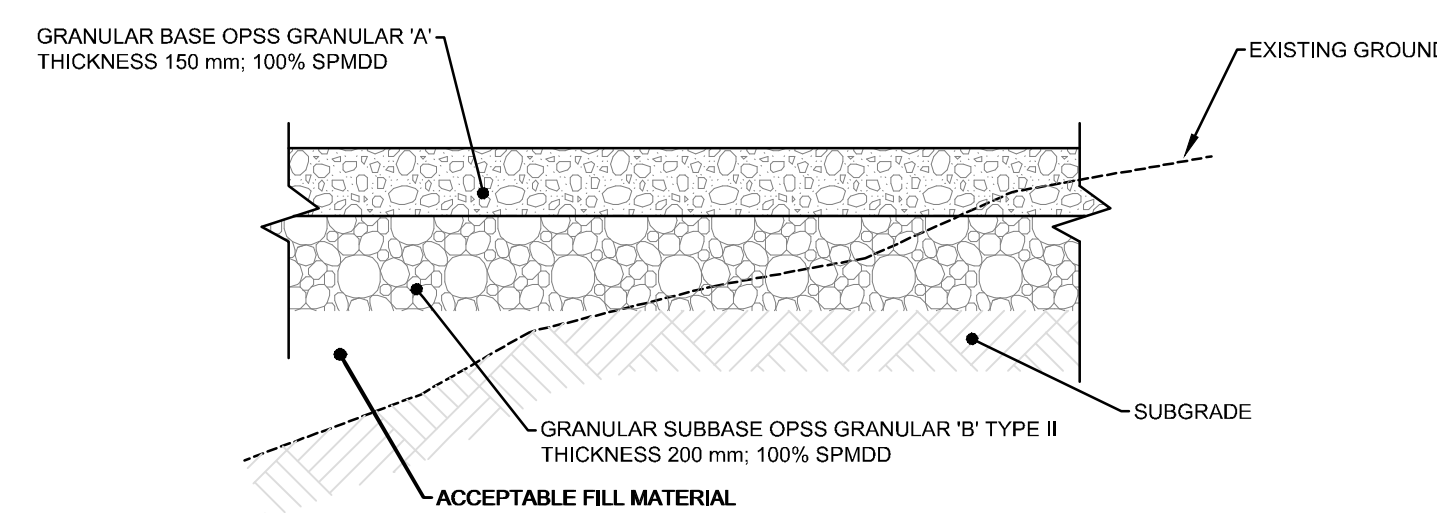


- NOTES:
- A. FENCE HEIGHT: 1.5 m.
 - B. LENGTH OF UNDERGROUND POLES: 1.1 m
 - C. CORNER POST: 88.9 mm Ø WITH TWO SPACERS.
 - D. REINFORCING POST: 88.9 mm Ø EVERY 60 m WITH TWO SPACERS.
 - E. SPACERS: 42.2 mm Ø, 350W ACNOR STEEL.
 - F. GALVANIZED GRILLING-008, COVERED WITH VINYL (BLACK) FOR A TOTAL GAUGE #8E-008, CONFORMS TO CAN/CSG-138.1 (TYPE 1, CATEGORY A, MEDIUM STYLE) SPACING OF 50mm X 50mm.
 - G. ALL METAL PARTS ARE GALVANIZED.
 - H. THE ENDS OF THE MESHES AT THE TOP AND BOTTOM MUST BE FOLDED INWARDS SO AS NOT TO HAVE PRICKLY TIPS.
 - I. THE WIRE MESH AND METAL PARTS MUST BE BLACK WITH PVC STRAP "SUPER PRIVACY" (BLACK) IN THE PLACES INDICATED ON THE OVERALL PLAN
 - J. MEASUREMENTS ARE IN MILLIMETRES

141A GALVANIZED METAL MESH FENCE 1.8m HIGH
AUCUNE / NTS

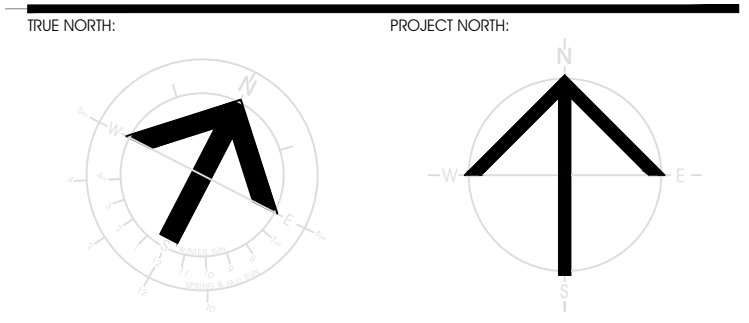
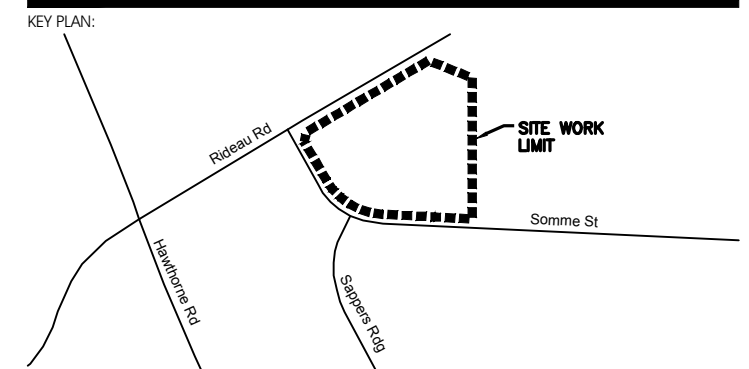


202 TYPICAL SECTION - GRANULAR FOUNDATION AND ASPHALT PAVEMENT (HEAVY DUTY)
AUCUNE / NTS



202A TYPICAL SECTION - GRANULAR PAD
AUCUNE / NTS

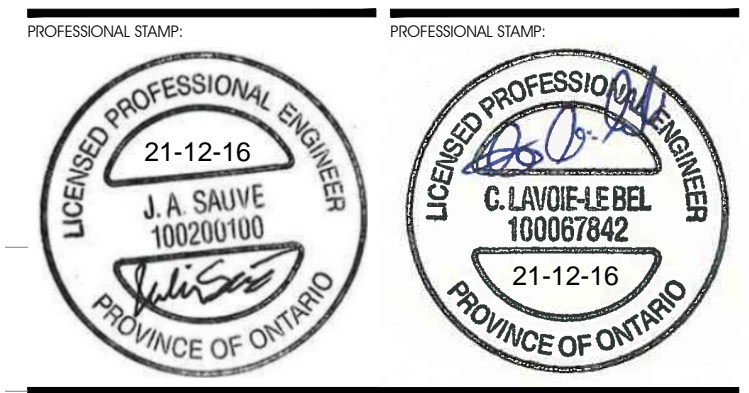
CLIENT LOGO:



RECORD OF REVISIONS

NO.	DESCRIPTION	DATE
1	ISSUED FOR SITE PLAN APPROVAL	DECEMBER 16, 2021

PRELIMINARY 33%
NOT FOR CONSTRUCTION



CIVITAS ARCHITECTURE INC. 14 CHAMBERLAIN AVENUE, SUITE 101 OTTAWA, ON CANADA K1S 1V9 T: 613.742.7482 WWW.CIVITAS-INC.CA

PROJECT TITLE:
FASTFRATE OTTAWA WAREHOUSE AND DISTRIBUTION FACILITY
SCALE: NONE
SOMME ST, OTTAWA, ON

DETAILS

DRAWN BY: D.CANN DRAWING NUMBER: C011
DATE: APPROVED BY: J.SAUVE
ISSUED DATE: NOVEMBER 26, 2021 REVISION NUMBER:
CLIENT PROJECT #: PROJECT #:

DO NOT SCALE THIS DRAWING. USE FIGURE DIMENSIONS ONLY. THE CONTRACTOR IS RESPONSIBLE FOR OBTAINING ALL DIMENSIONS AND NOTIFYING THE ARCHITECT OF ANY DISCREPANCIES BEFORE CONSTRUCTION COMMENCES. THE DRAWINGS ARE TO BE READ IN CONJUNCTION WITH ALL STRUCTURAL, MECHANICAL, ELECTRICAL, CIVIL AND OTHER CONSULTANT DRAWINGS. THE DRAWING SHALL NOT BE USED FOR CONSTRUCTION PURPOSES UNLESS SIGNED BY THE ARCHITECT. COPYRIGHT RESERVED. ALL PARTS OF THIS DRAWING ARE THE EXCLUSIVE PROPERTY OF THE ARCHITECT AND SHALL NOT BE USED WITHOUT THE EXPRESSED PERMISSION FROM THE ARCHITECT.