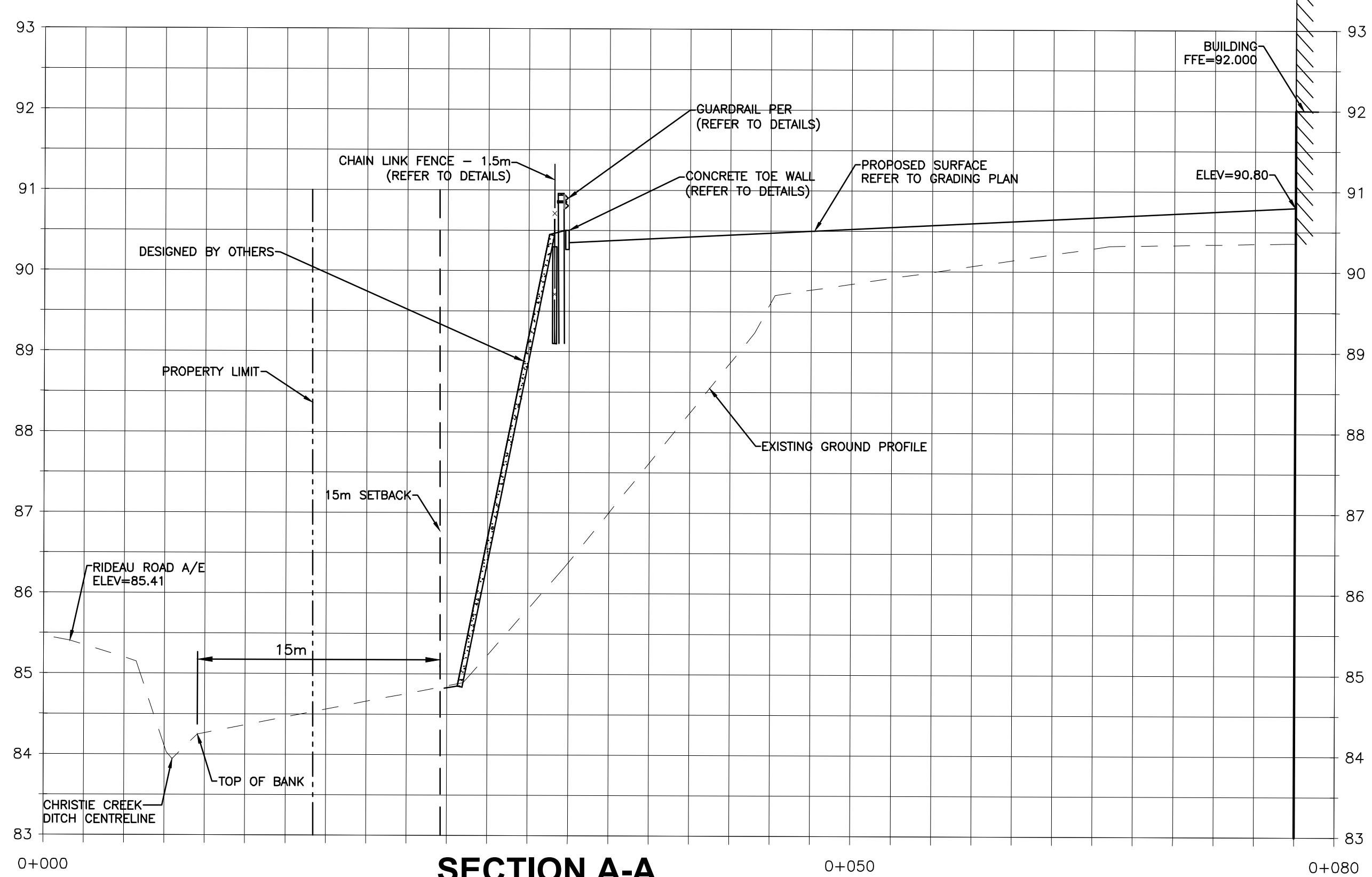
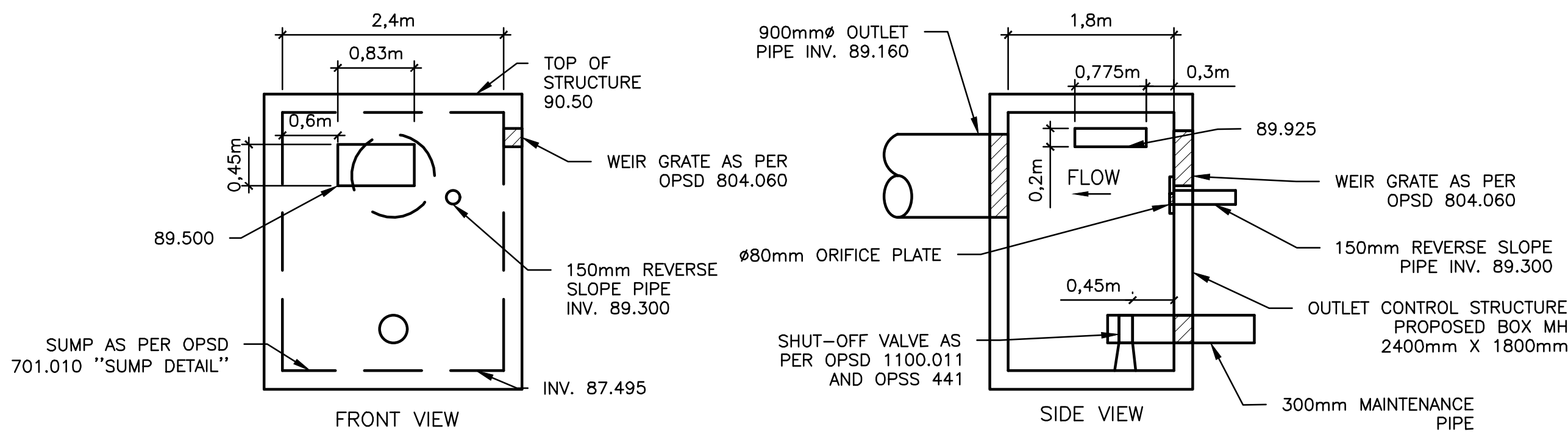


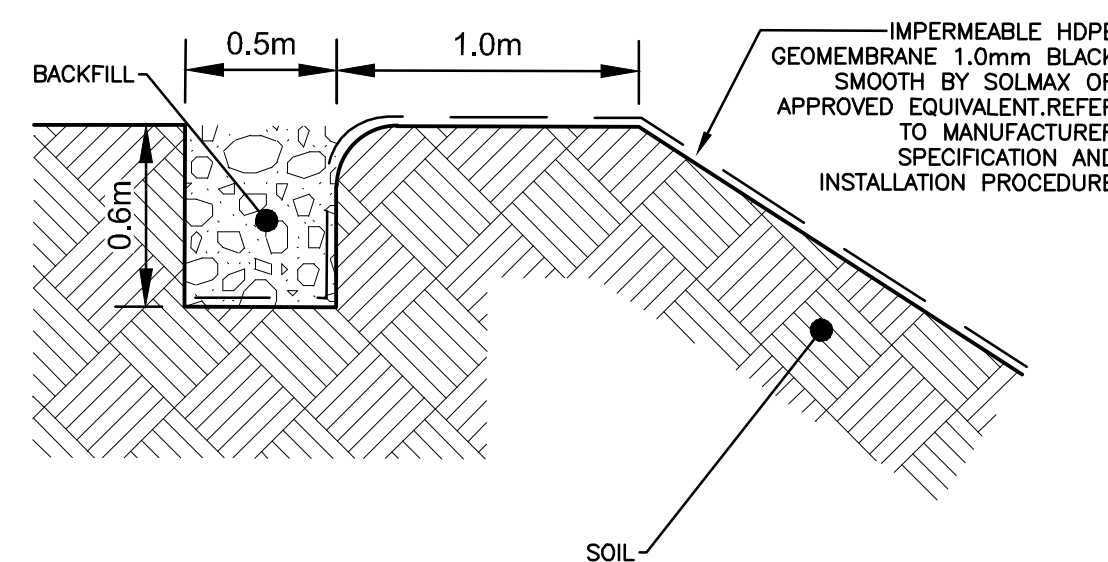
REVISION	NUMBER	REVISION	DATE (MM/DD/YYYY)
6	ISSUED FOR SITE PLAN CONTROL REV. 4		DECEMBER 2, 2022
5	ISSUED FOR SITE PLAN CONTROL REV. 3		SEPTEMBER 29, 2022
4	ISSUED FOR 66% REVIEW		JULY 15, 2022
3	ISSUED FOR SITE PLAN CONTROL REV. 2		JUNE 7, 2022
2	ISSUED FOR SITE PLAN APPROVAL		DECEMBER 16, 2021



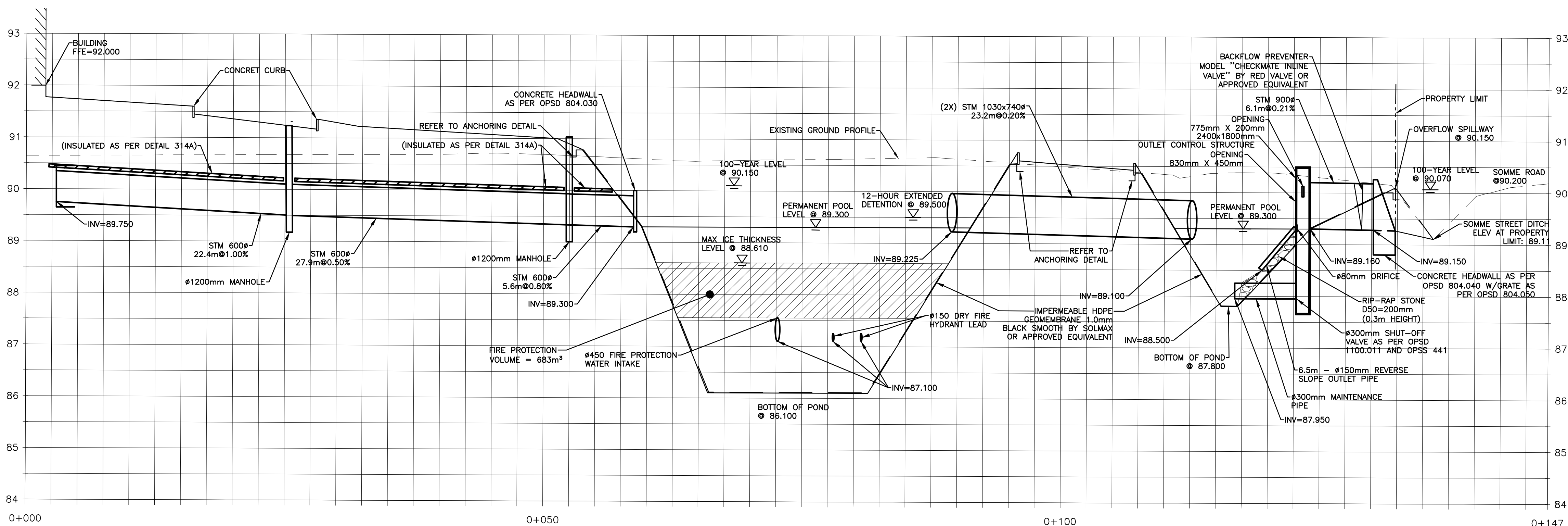
SECTION A-A
H=1:250 V:1:50



OULET CONTROL STRUCTURE DETAILS
SCALE: 1:50



ANCHORING DETAIL FOR POND LINER
NTS



SECTION B-B
H=1:250 V:1:50



NOTE OF CAUTION

THE GEODETIC COORDINATES OF EVERY ITEM INCLUDED AS PART OF THIS DOCUMENT HAVE NO LEGAL VALUE. THE SITE LAYOUT MUST BE COMPLETED USING THE OFFICIAL BENCHMARKS OF AN ACCREDITED LAND SURVEYOR.

THE UNDERGROUND FEATURES AND INFORMATION THAT APPEAR ON THE DRAWINGS WERE OBTAINED FROM THE PUBLIC UTILITY COMPANIES AND/OR FROM THE CITY EACH RESPECTIVELY.

ALL INFORMATION UNDER THE LEGEND 'EXISTING' IS FOR INFORMATION ONLY. COMPLETE OR EXACT LOCATION AND ELEVATION OF UNDERGROUND SERVICES ARE NOT GUARANTEED.

CERTAIN UNDERGROUND FEATURES ON PRIVATE PROPERTY ARE NOT SHOWN ON THE CURRENT DRAWING.

ANYONE WHO PROCEEDS WITH EXCAVATION WORK SHALL VERIFY THE EXACT LOCATION OF ALL UNDERGROUND FEATURES BY EXPLORATORY EXCAVATIONS, AND SHALL ASSUME FULL RESPONSIBILITY IF THERE IS ANY DAMAGE THAT OCCURS DURING WORK.

THE CONTRACTOR WILL HAVE THE RESPONSIBILITY AND THE OBLIGATION TO VALIDATE, BY EXPLORATORY EXCAVATION, THE SIZE OF THE PUBLIC UTILITIES UNDERGROUND SERVICES AND TO WARN THE ENGINEER OF ANY CONFLICT WITH THE PROJECTED WORK.

PROFESSIONAL STAMP: PROFESSIONAL STAMP:



CIVITAS ARCHITECTURE INC. OTTAWA, ON T: 613.742.7482
14 CHAMBERLAIN AVENUE, SUITE 101 CANADA K1S 1V9 WWW.CIVITAS-INC.CA
CONSULTANT LOGO:



PROJECT TITLE:
FASTFRATE OTTAWA WAREHOUSE AND DISTRIBUTION FACILITY

SCALE: 1:500
SOMME ST. OTTAWA, ON

DRAWING TITLE:

SECTIONS

DRAWN BY: D.CANN DRAWING NUMBER:
DATE: J.SAUVE C006B
REVIEWED BY: J.SAUVE
PRINT DATE: REVISION NUMBER:
ISSUED DATE: NOVEMBER 26, 2021
CLIENT PROJECT #: PROJECT #:

A001083

DO NOT SCALE THIS DRAWING. USE DIMENSIONS ONLY. THE CONTRACTOR IS RESPONSIBLE FOR VERIFYING ALL DIMENSIONS AND NOTIFYING THE ARCHITECT OF ANY DISCREPANCIES BEFORE CONSTRUCTION COMMENCES. THIS DRAWING IS TO BE READ IN CONJUNCTION WITH ALL STRUCTURAL, MECHANICAL, ELECTRICAL, AND OTHER CONSULTANT DRAWINGS. THIS DRAWING SHALL NOT BE USED FOR CONSTRUCTION PURPOSES UNLESS SIGNED BY THE ARCHITECT. COPYRIGHT RESERVED. ALL PARTS OF THIS DRAWING ARE THE EXCLUSIVE PROPERTY OF THE ARCHITECT AND SHALL NOT BE USED WITHOUT THE EXPRESSED PERMISSION FROM THE ARCHITECT.