

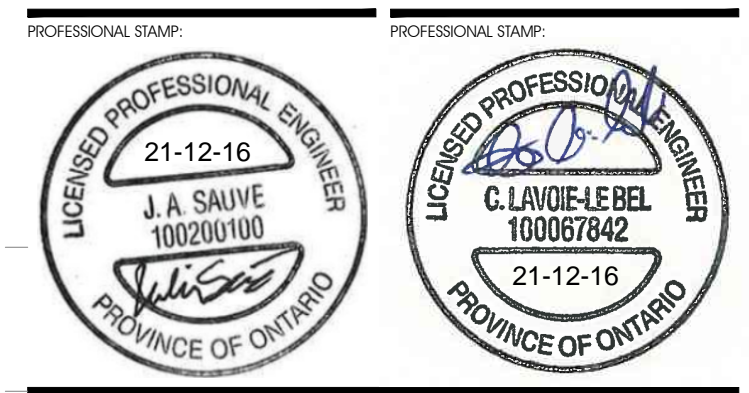
RECORD OF REVISIONS


ISSUED FOR SITE PLAN APPROVAL      DECEMBER 16, 2021

NUMBER:      REVISION:      DATE: (MM/DD/YYYY)

SHEET:      TOTAL SHEETS:      DATE: (MM/DD/YYYY)

**PRELIMINARY 33%**  
NOT FOR CONSTRUCTION



CIVITAS ARCHITECTURE INC.      OTTAWA, ON      T: 613.742.7482  
14 CHAMBERLAIN AVENUE, SUITE 101      CANADA K1S 1V9      WWW.CIVITAS-INC.CA

CONSULTANT LOGO:

PROJECT TITLE:  
**FASTFRATE OTTAWA WAREHOUSE  
AND DISTRIBUTION FACILITY**

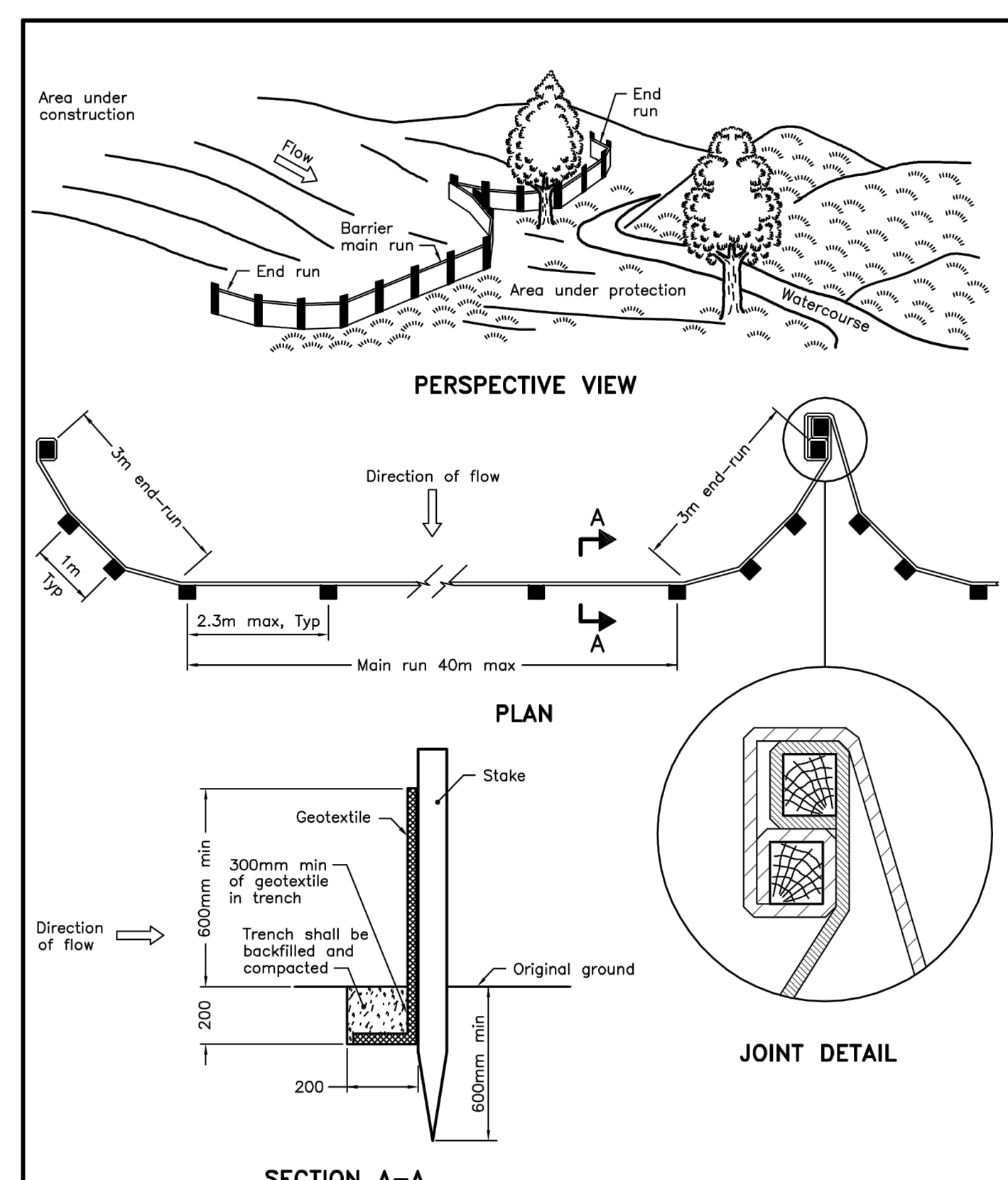
SCALE: NONE  
SOMME ST.  
OTTAWA, ON

DRAWING TITLE:

## DETAILS

DRAWN BY:	D.CANN	DRAWING NUMBER:	<b>C009</b>
DATE:			
REVIEWED BY:	J.SAUVE		
APPROVED BY:			
PRINT DATE:		REVISION NUMBER:	
ISSUED DATE:	NOVEMBER 26, 2021		
CLIENT PROJECT #:		PROJECT #:	<b>A001083</b>

DO NOT SCALE THIS DRAWING. USE FIGURE DIMENSIONS ONLY. THE CONTRACTOR IS RESPONSIBLE FOR VERIFYING ALL DIMENSIONS AND NOTIFYING THE ARCHITECT OF ANY DISCREPANCIES BEFORE CONSTRUCTION COMMENCES. THE DRAWINGS ARE TO BE READ IN CONJUNCTION WITH ALL STRUCTURAL, MECHANICAL, ELECTRICAL, CIVIL AND OTHER CONSULTANT DRAWINGS. THE DRAWING SHALL NOT BE USED FOR CONSTRUCTION PURPOSES UNLESS SIGNED BY THE ARCHITECT. COPYRIGHT RESERVED. ALL PARTS OF THIS DRAWING ARE THE EXCLUSIVE PROPERTY OF THE ARCHITECT AND SHALL NOT BE USED WITHOUT THE EXPRESSED PERMISSION FROM THE ARCHITECT.

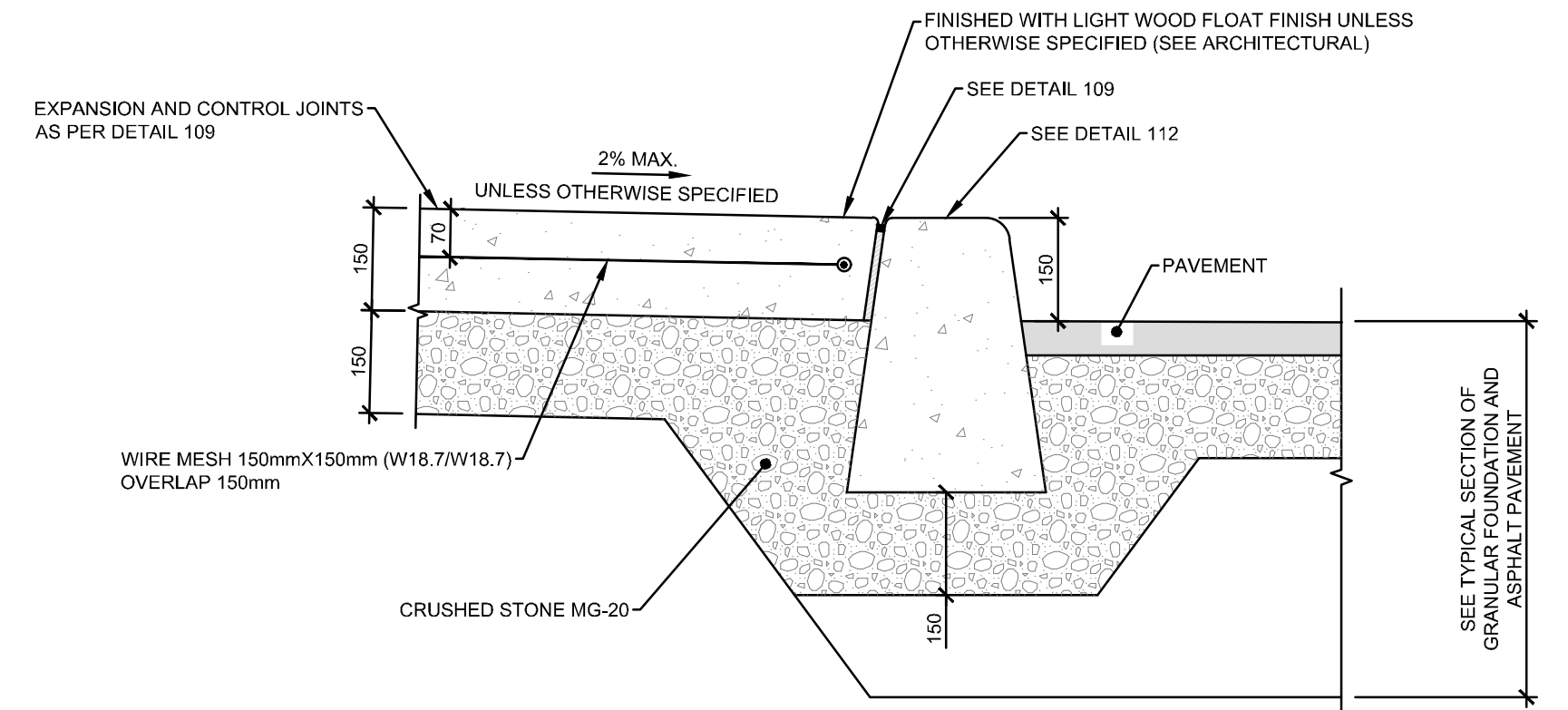


**NOTE:**  
A All dimensions are in millimetres unless otherwise shown.

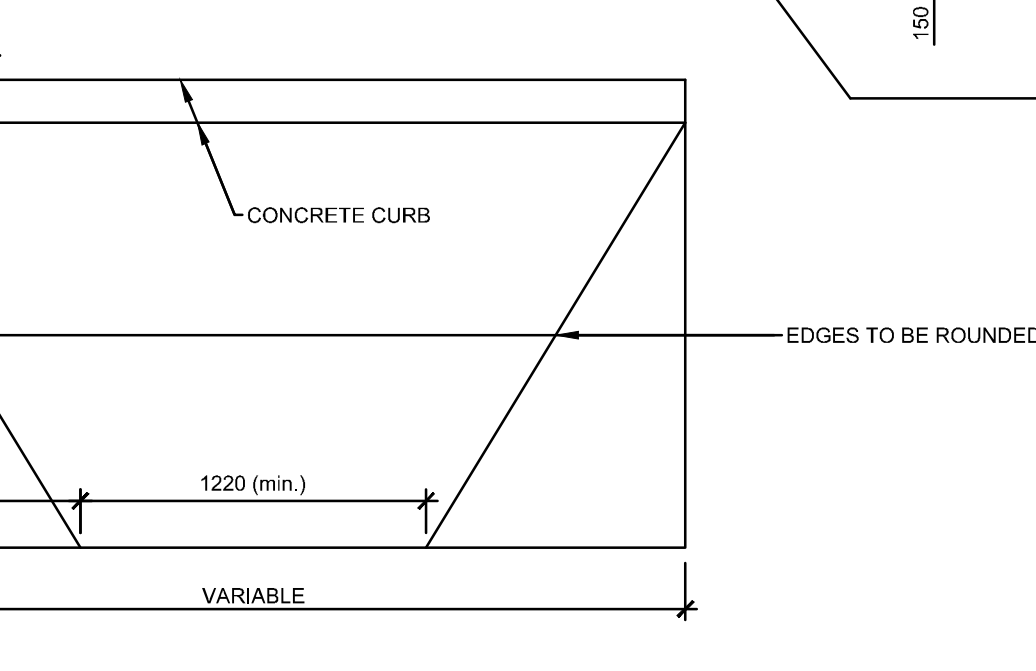
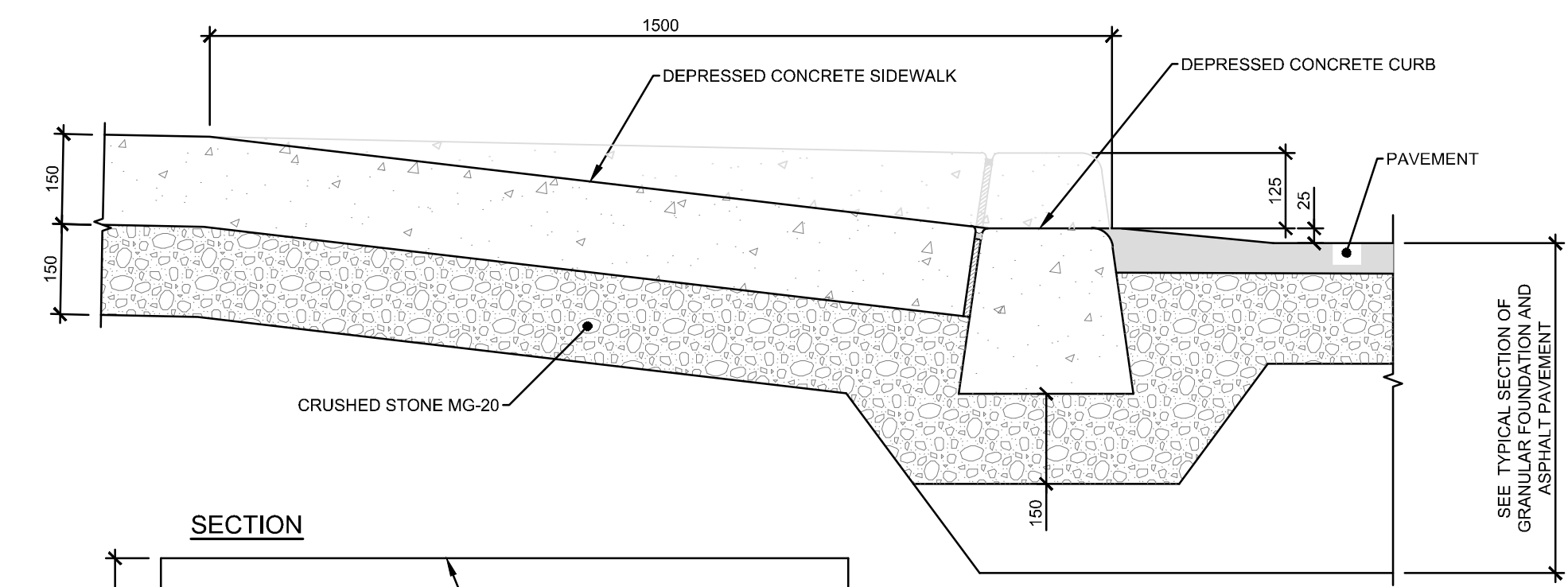
ONTARIO PROVINCIAL STANDARD DRAWING      Nov 2015      Rev 2

**LIGHT-DUTY  
SILT FENCE BARRIER**

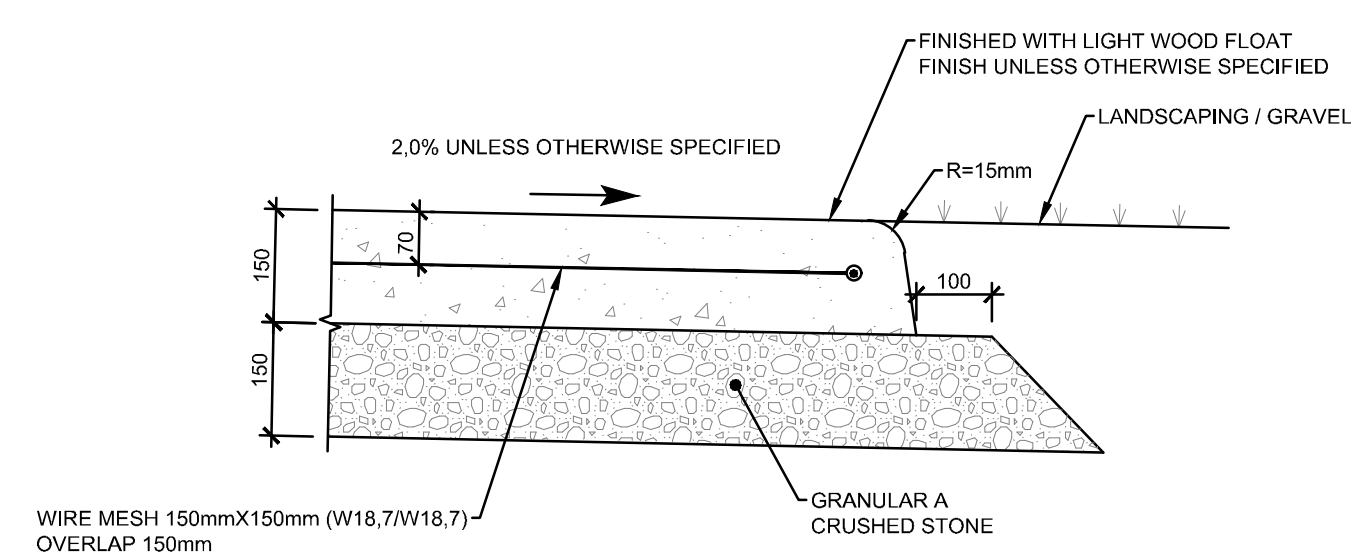
OPSD 219.110



**102**      **SIDEWALK - BUILDING TYPE - SLAB AND CURB**  
AUCUNE / NTS



**103**      **DEPRESSED SIDEWALK TYPE SLAB AND CURB**  
AUCUNE / NTS



- NOTES:**
- CONCRETE CLASS: C-2;
  - WATER/BINDER MAX. RATIO: 0.45;
  - MINIMUM COMPRESSIVE STRENGTH AT 28 DAYS: 32 MPa;
  - GRANULARS MAXIMAL NOMINAL Ø: 20mm;
  - AIR CONTENT: 5% TO 8%;
  - SLUMP: 80mm ± 30mm FOR FIXE FORMWORK  
30mm ± 30mm FOR SLIDING FORMWORK;
  - CONTROL AND EXPANSION JOINTS AS PER DETAIL 109.

**101**      **SLAB SIDEWALK**  
AUCUNE / NTS