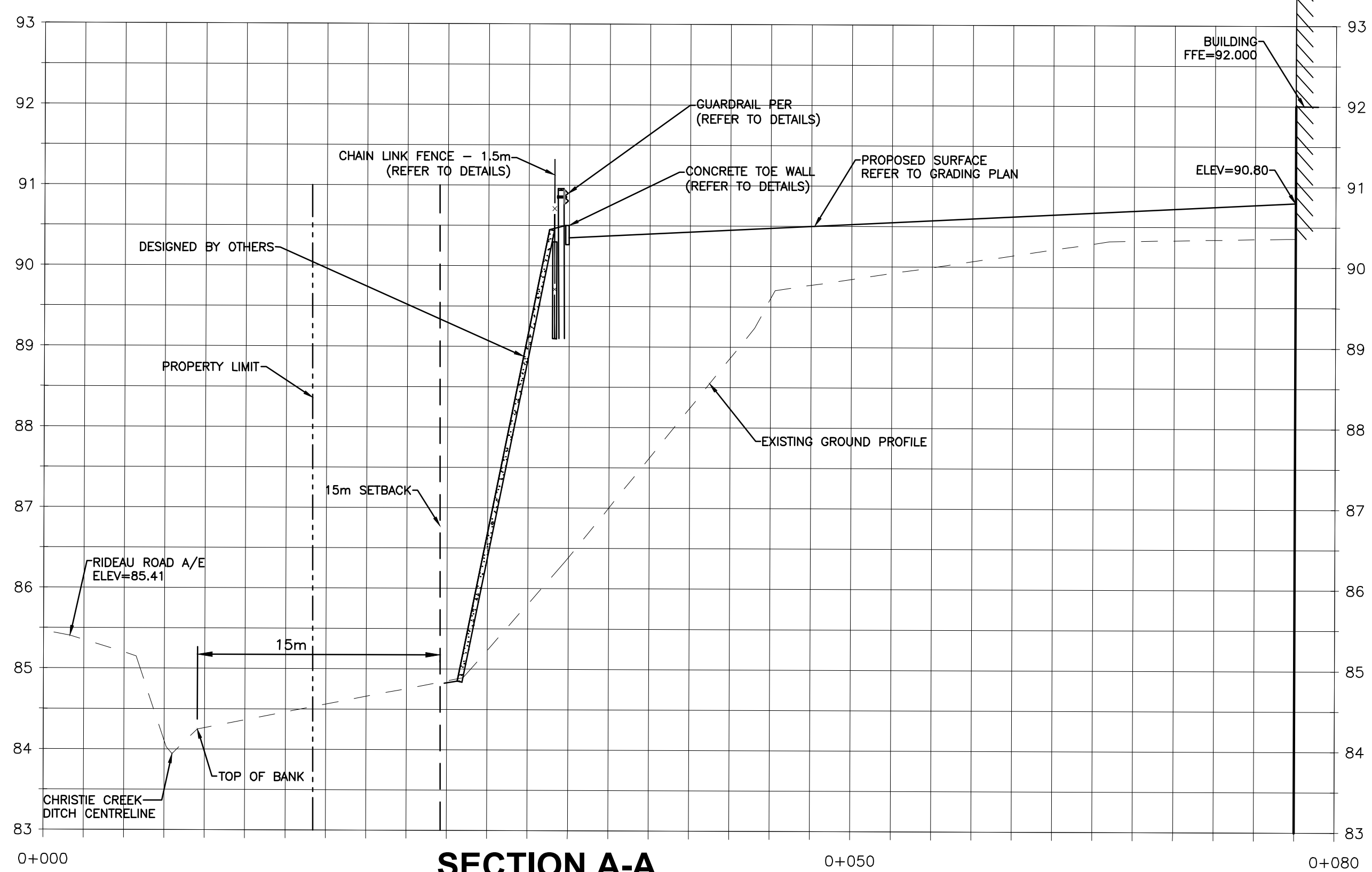
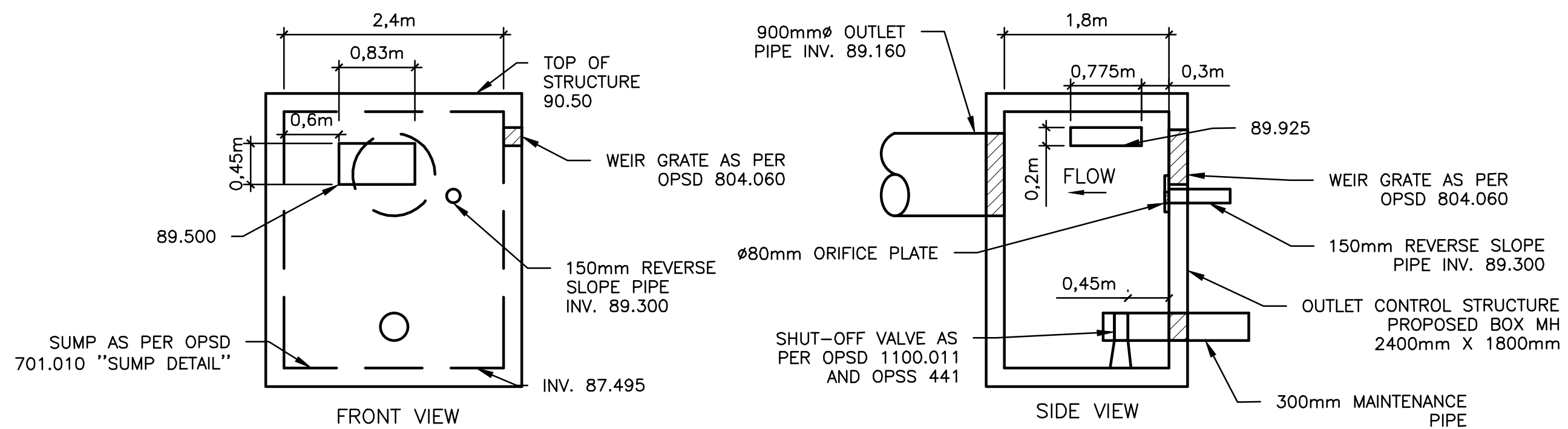


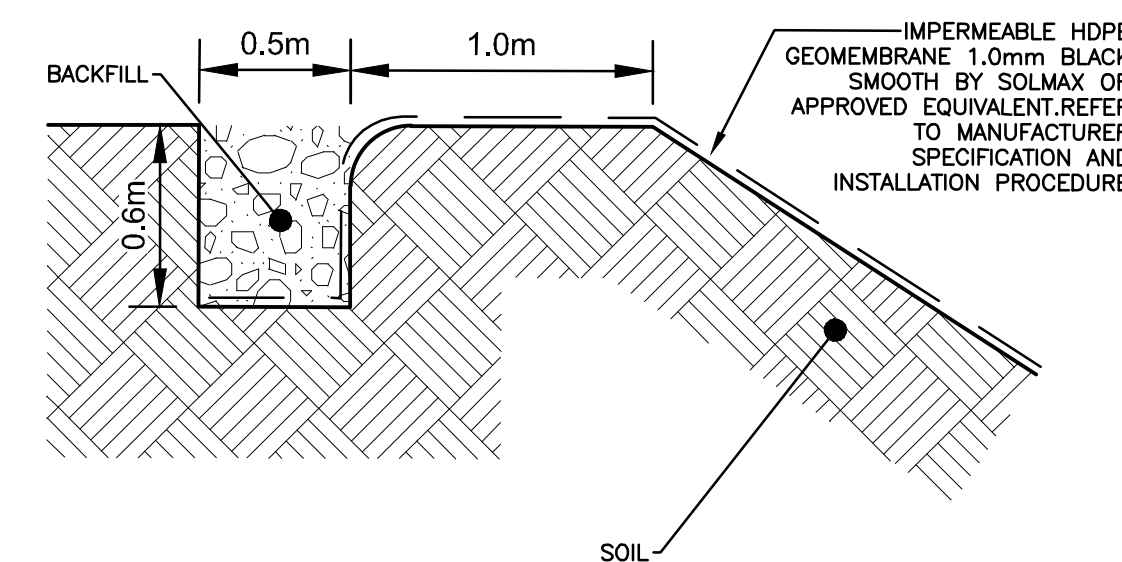
REVISION	DESCRIPTION	DATE
1	ISSUED FOR SITE PLAN CONTROL REV. 4	DECEMBER 2, 2022
2	ISSUED FOR SITE PLAN CONTROL REV. 3	SEPTEMBER 29, 2022
3	ISSUED FOR 66% REVIEW	JULY 15, 2022
4	ISSUED FOR SITE PLAN CONTROL REV. 2	JUNE 7, 2022
5	ISSUED FOR SITE PLAN APPROVAL	DECEMBER 16, 2021



SECTION A-A
H=1:250 V:1:50

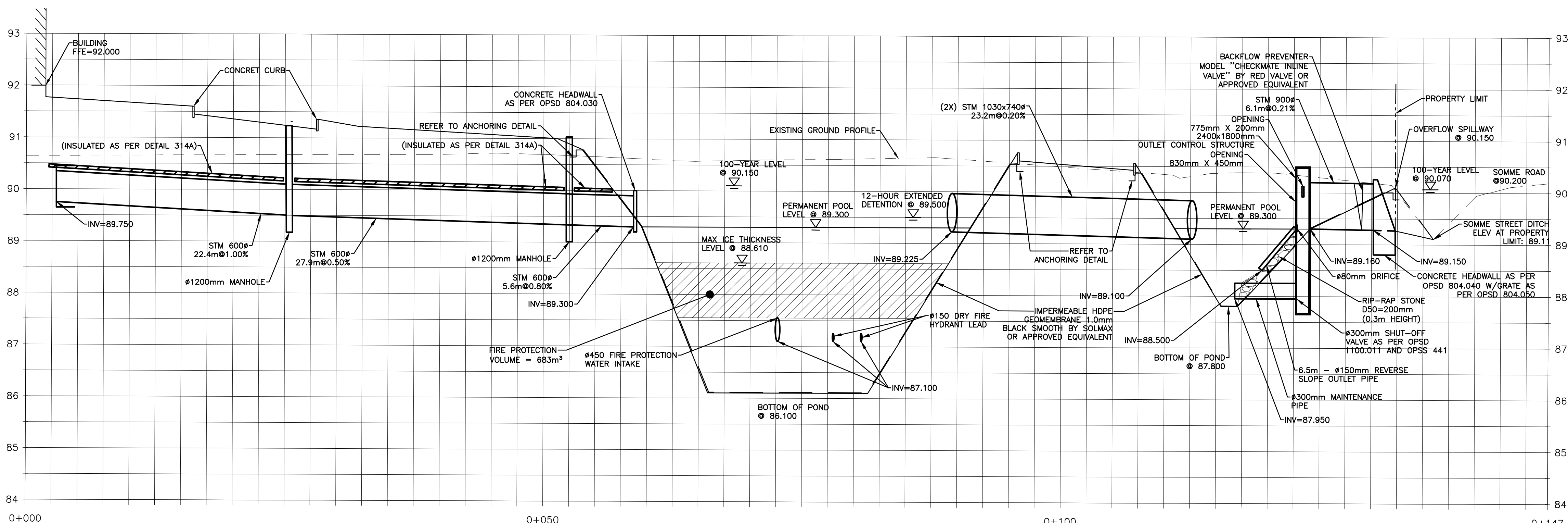


OULET CONTROL STRUCTURE DETAILS
SCALE: 1:50



ANCHORING DETAIL FOR POND LINER
NTS

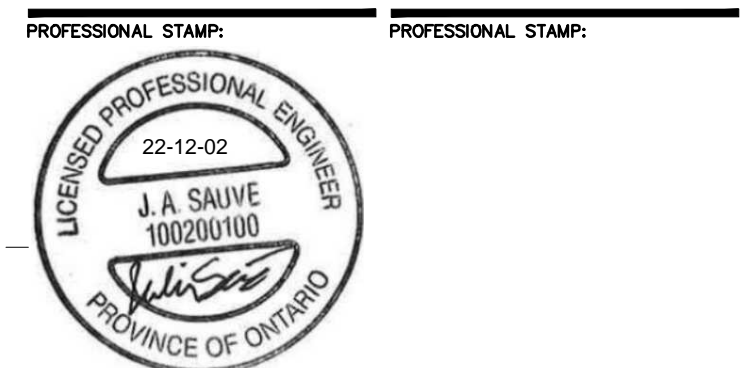
APPROVED
By Adam Brown at 9:47 am, Feb 07, 2023



SECTION B-B
H=1:250 V:1:50

AR

ADAM BROWN
MANAGER, DEVELOPMENT REVIEW - RURAL
PLANNING, REAL ESTATE & ECONOMIC DEVELOPMENT
DEPARTMENT, CITY OF OTTAWA



CIVITAS ARCHITECTURE INC. OTTAWA, ON T: 613.742.7482
14 CHAMBERLAIN AVENUE, SUITE 101 CANADA K1S 1V9 WWW.CIVITAS-INC.CA



PROJECT TITLE:
FASTFRATE OTTAWA WAREHOUSE
AND DISTRIBUTION FACILITY

SCALE: 1:500
SOMME ST.
OTTAWA, ON

DRAWING TITLE:

SECTIONS

DRAWN BY:	D.CANN	DRAWING NUMBER:	
DATE:		REVISION NUMBER:	
REVIEWED BY:	J.SAUVE	C006B	
APPROVED BY:			
PRINT DATE:		REVISION NUMBER:	
ISSUED DATE:	NOVEMBER 26, 2021		
CLIENT PROJECT #:		PROJECT #:	A001083

DO NOT SCALE THIS DRAWING. USE DIMENSIONS ONLY. THE CONTRACTOR IS RESPONSIBLE FOR VERIFYING ALL DIMENSIONS AND NOTING THE ARCHITECT OF ANY DISCREPANCIES BEFORE CONSTRUCTION COMMENCES. THIS DRAWING IS TO BE READ IN CONJUNCTION WITH ALL STRUCTURAL, MECHANICAL, ELECTRICAL, AND OTHER CONSULTANT DRAWINGS. THIS DRAWING SHALL NOT BE USED FOR CONSTRUCTION PURPOSES UNLESS SIGNED BY THE ARCHITECT. COPYRIGHT RESERVED. ALL PARTS OF THIS DRAWING ARE THE EXCLUSIVE PROPERTY OF THE ARCHITECT AND SHALL NOT BE USED WITHOUT THE EXPRESSED PERMISSION FROM THE ARCHITECT.