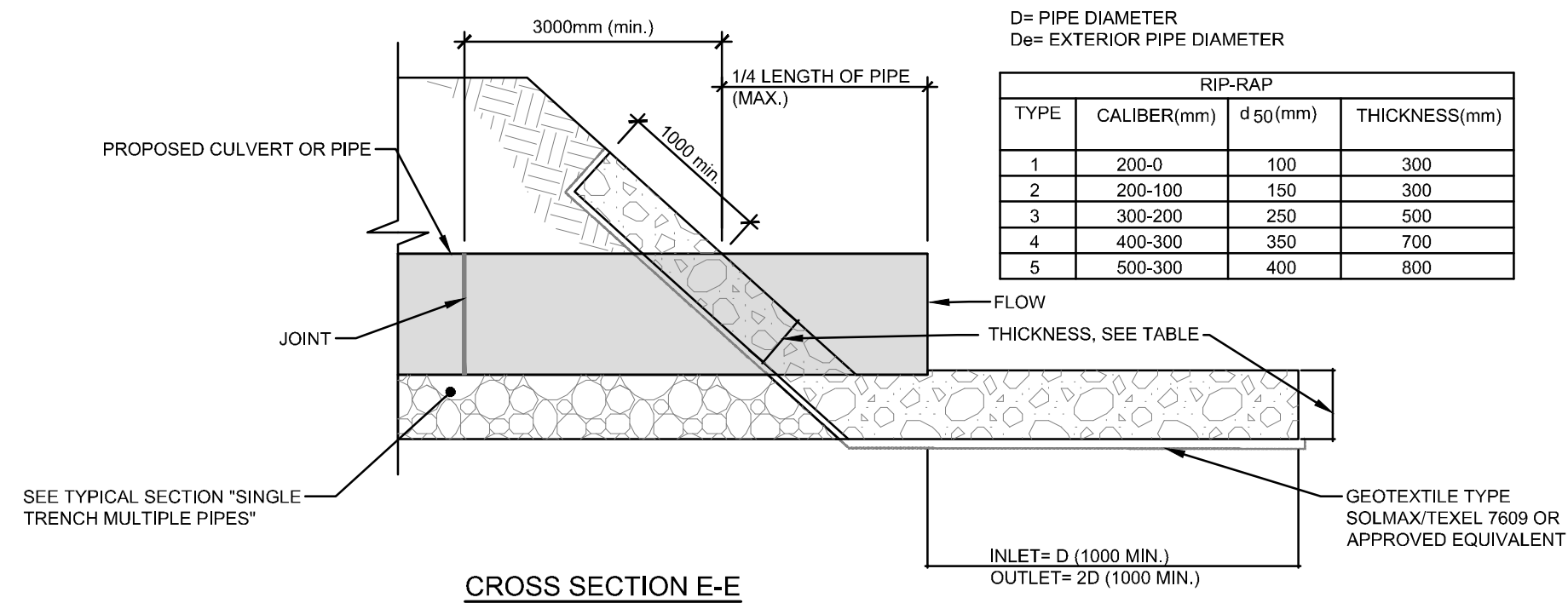


X ≥ 1000 : HI-40 (276 KPa)  
X < 1000 : HI-60 (414 KPa)

MINIMUM WIDTH OF INSULATION TABLE (L)									INSULATION THICKNESS
X	Q	150	200	250	300	375	450	525	
750	1650	1700	1750	1800	1875	1950	2025	2100	100
1000	1150	1200	1250	1300	1375	1450	1525	1600	100
1250	650	700	750	800	875	950	1025	1100	75
1500	600	600	600	600	600	600	600	600	75
1750	600	600	600	600	600	600	600	600	50

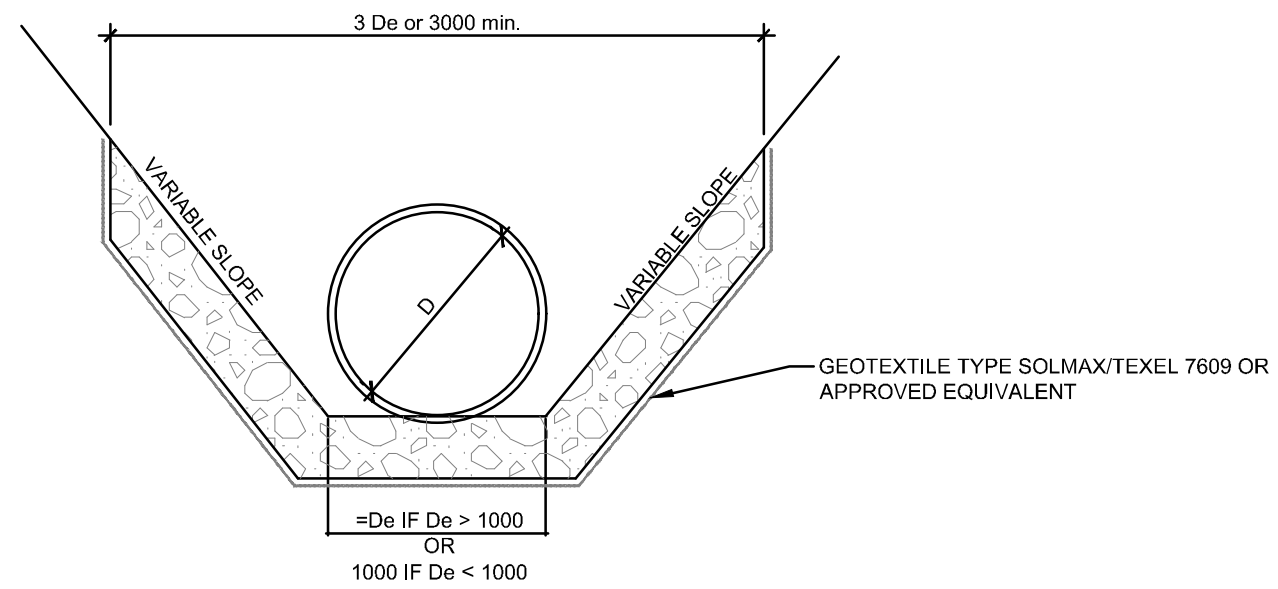
L = INSULATION WIDTH (mm)  
D = PIPE DIAMETER (mm)

**314A PIPE INSULATION (1.8m COVER)**  
AUCUNE / NTS

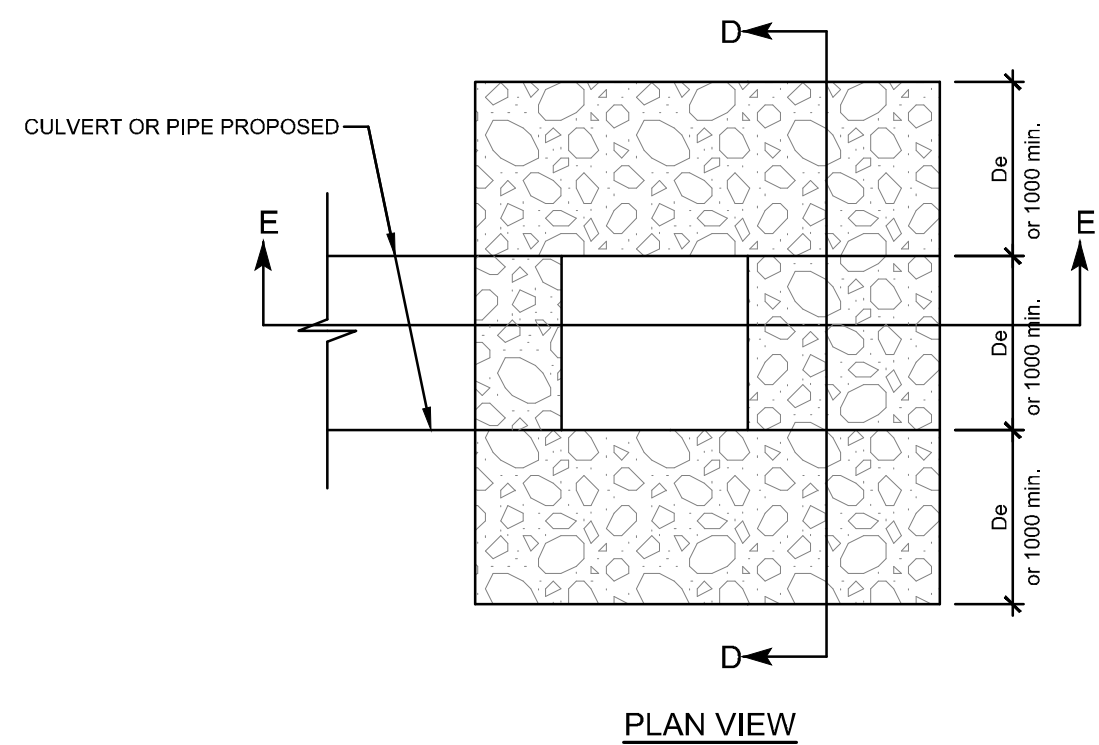


TYPE	RIP-RAP	
	CALIBER(mm)	THICKNESS(mm)
1	200-0	100
2	200-100	150
3	300-200	250
4	400-300	350
5	500-300	400

CROSS SECTION E-E

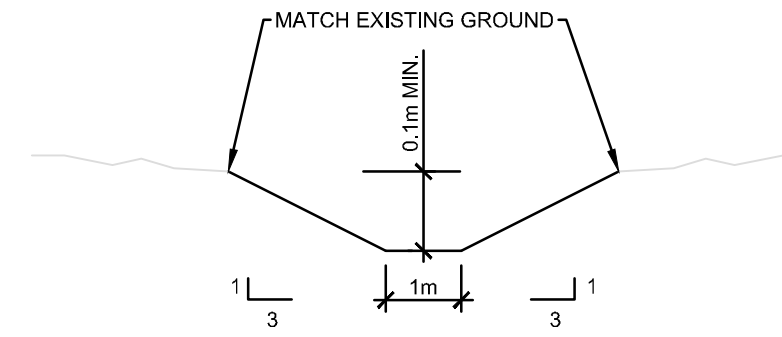


CROSS SECTION D-D

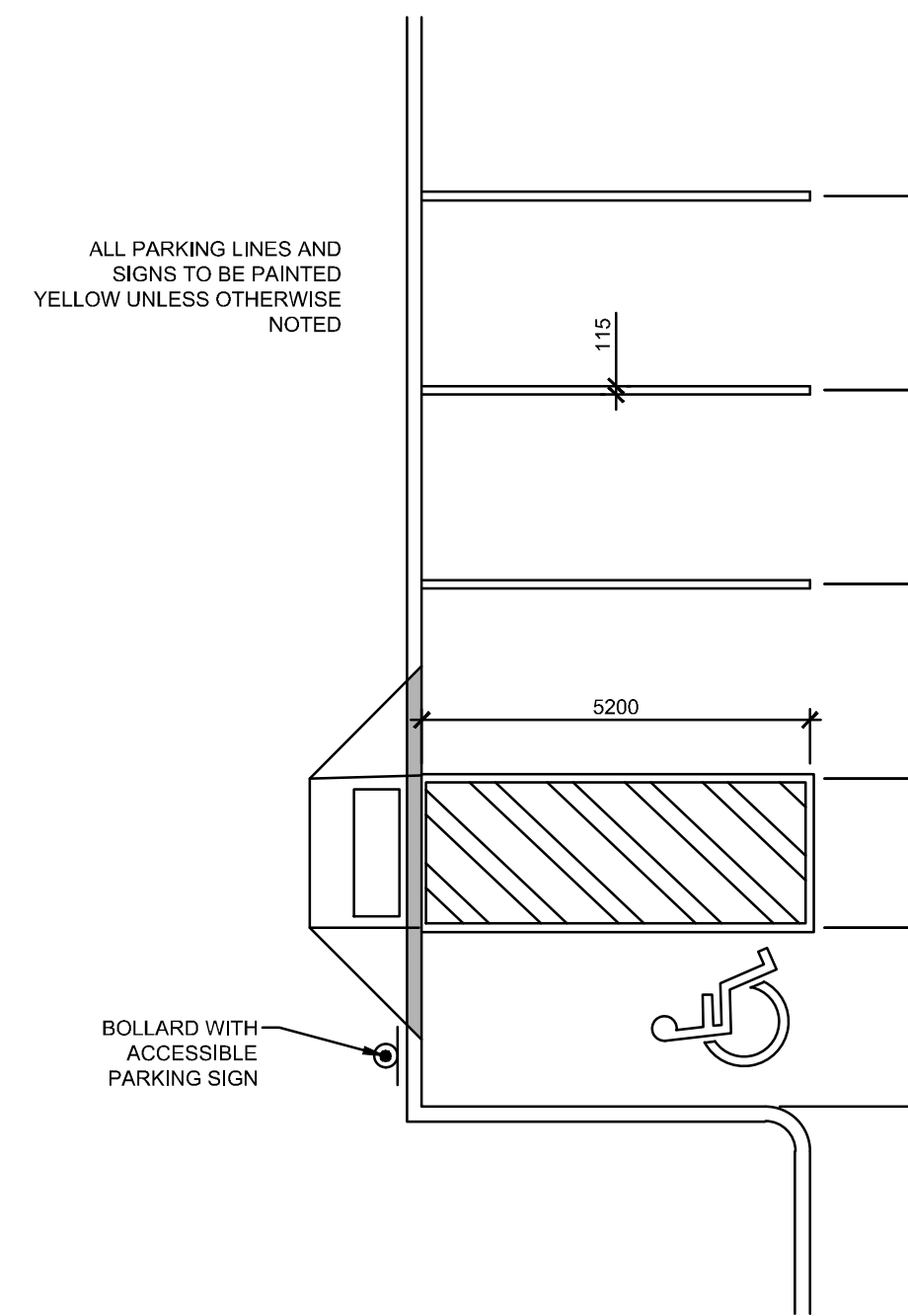


PLAN VIEW

**319 INLET/OUTLET FOR CULVERT OR PIPE DETAIL (TYPICAL)**  
AUCUNE / NTS

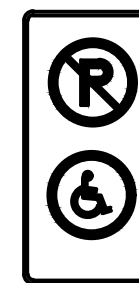


**333 SWALE (TYPICAL)**  
AUCUNE / NTS

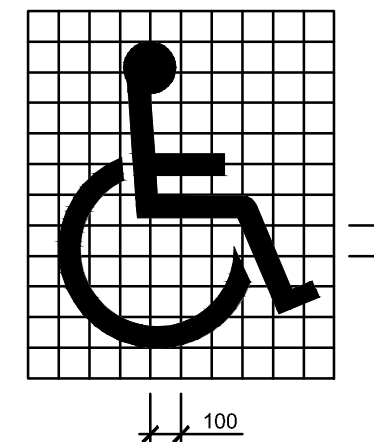


**408 TYPICAL PARKING STALLS**  
AUCUNE / NTS

ACCESSIBLE PARKING SIGN

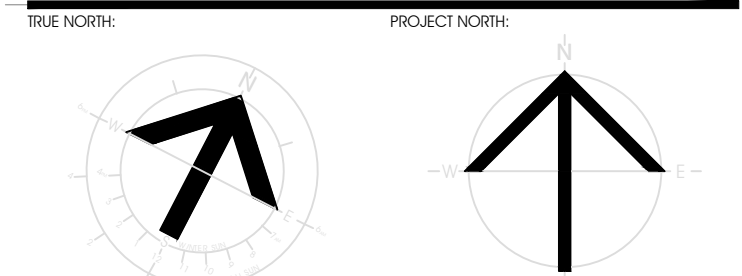
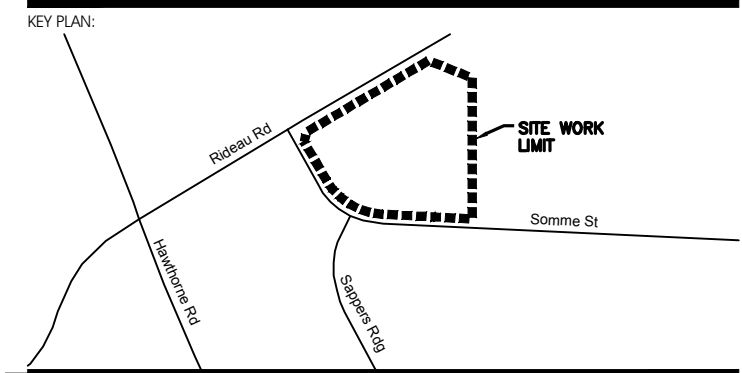


P-150-S



**409B ACCESSIBLE PARKING SIGN AND MARKING**

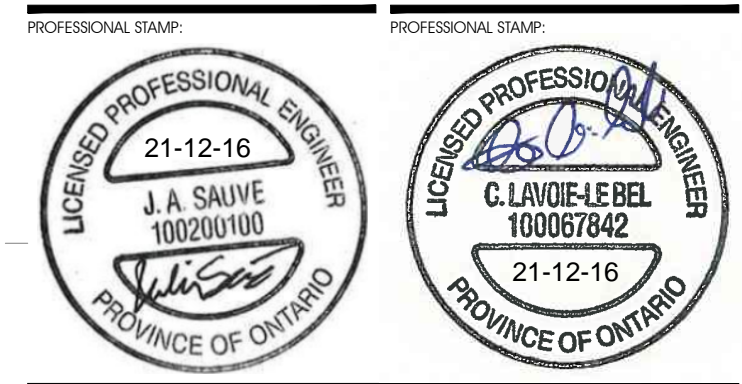
CLIENT LOGO:



RECORD OF REVISIONS	
NO.	DESCRIPTION

ISSUED FOR SITE PLAN APPROVAL DECEMBER 16, 2021  
NUMBER: REVISION: DATE: (MM/DD/YYYY)  
SITE:

**PRELIMINARY 33%**  
NOT FOR CONSTRUCTION



CIVITAS ARCHITECTURE INC. 14 CHAMBERLAIN AVENUE, SUITE 101 OTTAWA, ON CANADA K1S 1V9 T: 613.742.7482 WWW.CIVITAS-INC.CA

CONSULTANT LOGO:

PROJECT TITLE:  
**FASTFRATE OTTAWA WAREHOUSE AND DISTRIBUTION FACILITY**

SCALE: NONE

SOMME ST, OTTAWA, ON

DRAWING TITLE:

**DETAILS**

DRAWN BY:	D.CANN	DRAWING NUMBER:	<b>C013</b>
DATE:			
REVIEWED BY:	J.SAUVE		
APPROVED BY:			
PRINT DATE:			
ISSUED DATE:	NOVEMBER 26, 2021	REVISION NUMBER:	
CLIENT PROJECT #:		PROJECT #:	<b>A001083</b>

DO NOT SCALE THIS DRAWING. USE FIGURE DIMENSIONS ONLY. THE CONTRACTOR IS RESPONSIBLE FOR VERIFYING ALL DIMENSIONS AND NOTIFYING THE ARCHITECT OF ANY DISCREPANCIES BEFORE CONSTRUCTION COMMENCES. THE DRAWINGS ARE TO BE READ IN CONJUNCTION WITH ALL STRUCTURAL, MECHANICAL, ELECTRICAL, CIVIL AND OTHER CONSULTANT DRAWINGS. THE DRAWING SHALL NOT BE USED FOR CONSTRUCTION PURPOSES UNLESS SIGNED BY THE ARCHITECT. COPYRIGHT RESERVED. ALL PARTS OF THIS DRAWING ARE THE EXCLUSIVE PROPERTY OF THE ARCHITECT AND SHALL NOT BE USED WITHOUT THE EXPRESSED PERMISSION FROM THE ARCHITECT.