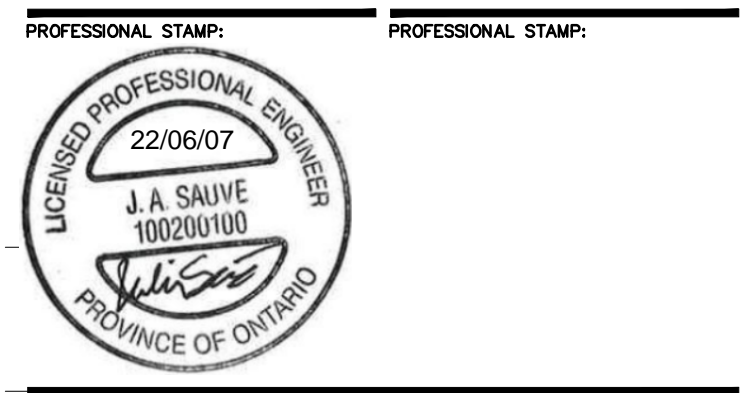


RECORD OF REVISIONS:

NO.	REVISION	DATE
1	ISSUED FOR SITE PLAN APPROVAL	DECEMBER 16, 2021
2	ISSUED FOR SITE PLAN CONTROL REV. 2	JUNE 7, 2022

PRELIMINARY 33%
NOT FOR CONSTRUCTION



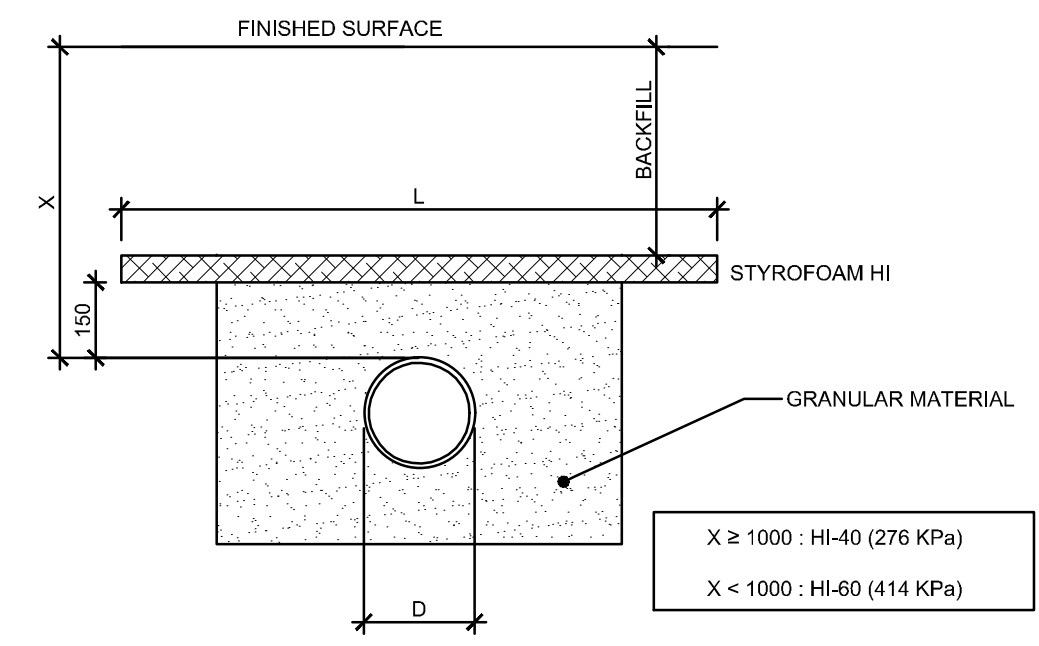
CIVITAS ARCHITECTURE INC. OTTAWA, ON T: 613.742.7482
14 CHAMBERLAIN AVENUE, SUITE 101 CANADA K1S 1V9 WWW.CIVITAS-INC.CA
CONSULTANT LOGO:

PROJECT TITLE:
FASTFRATE OTTAWA WAREHOUSE AND DISTRIBUTION FACILITY
SCALE: NONE
SOMME ST. OTTAWA, ON
DRAWING TITLE:

DETAILS

DRAWN BY:	D.CANN	DRAWING NUMBER:	
DATE:		REVISION NUMBER:	
REVIEWED BY:	J.SAUVE	C013	
APPROVED BY:			
PRINT DATE:	NOVEMBER 26, 2021		
ISSUED DATE:			
CLIENT PROJECT #:		PROJECT #:	A001083

DO NOT SCALE THIS DRAWING. USE DIMENSIONS ONLY. THE CONTRACTOR IS RESPONSIBLE FOR VERIFYING ALL DIMENSIONS AND NOTIFYING THE ARCHITECT OF ANY DISCREPANCIES BEFORE CONSTRUCTION COMMENCES. THIS DRAWING IS TO BE READ IN CONJUNCTION WITH ALL STRUCTURAL, MECHANICAL, ELECTRICAL, CIVIL AND OTHER CONSULTANT DRAWINGS. THIS DRAWING SHALL NOT BE USED FOR CONSTRUCTION PURPOSES UNLESS SIGNED BY THE ARCHITECT. COPYRIGHT RESERVED. ALL PARTS OF THIS DRAWING ARE THE EXCLUSIVE PROPERTY OF THE ARCHITECT AND SHALL NOT BE USED WITHOUT THE EXPRESSED PERMISSION FROM THE ARCHITECT.



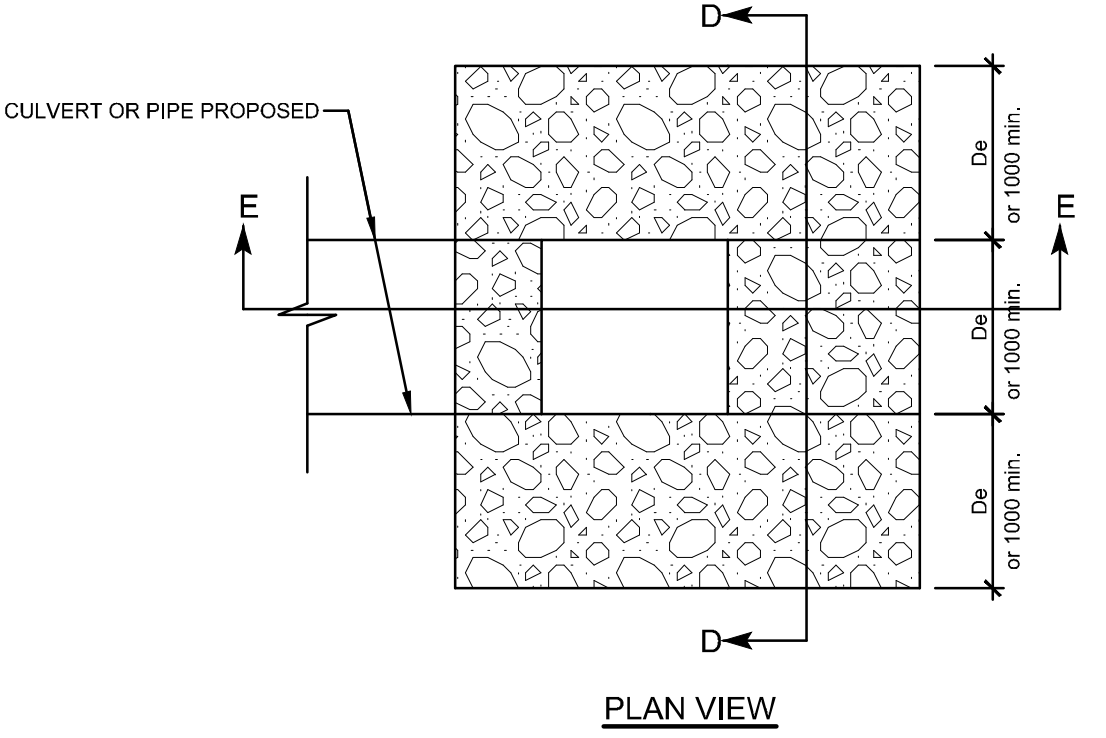
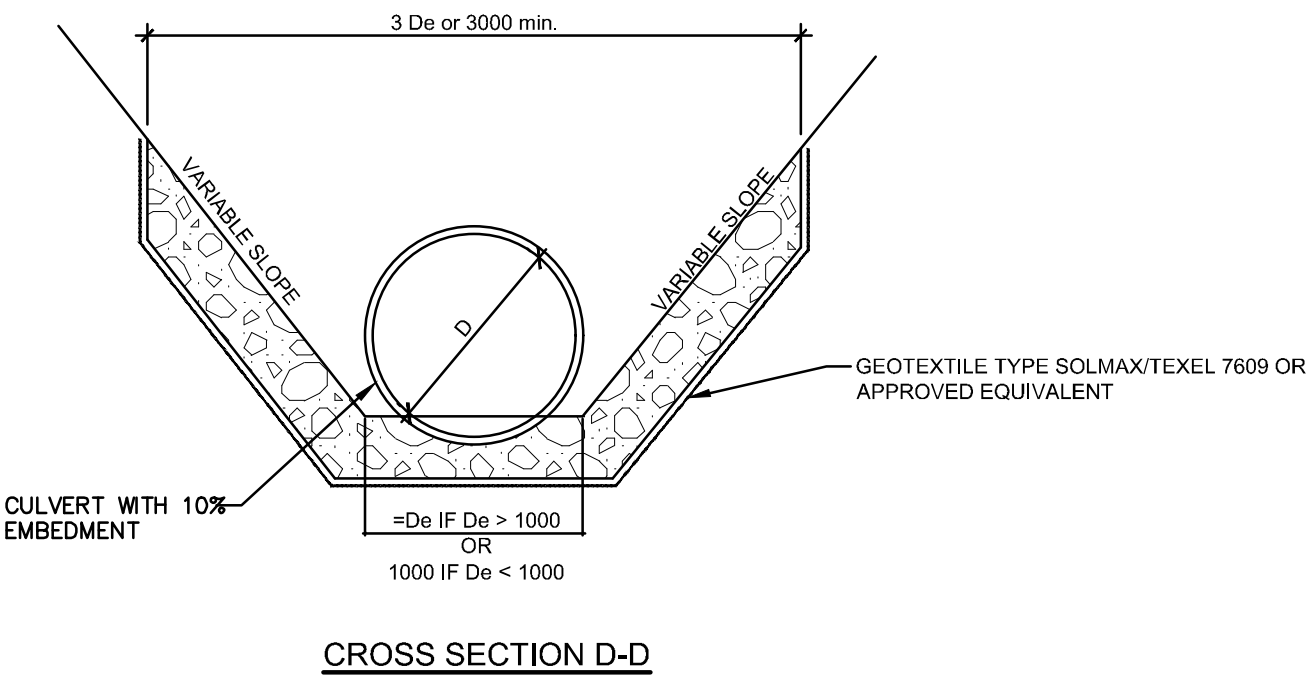
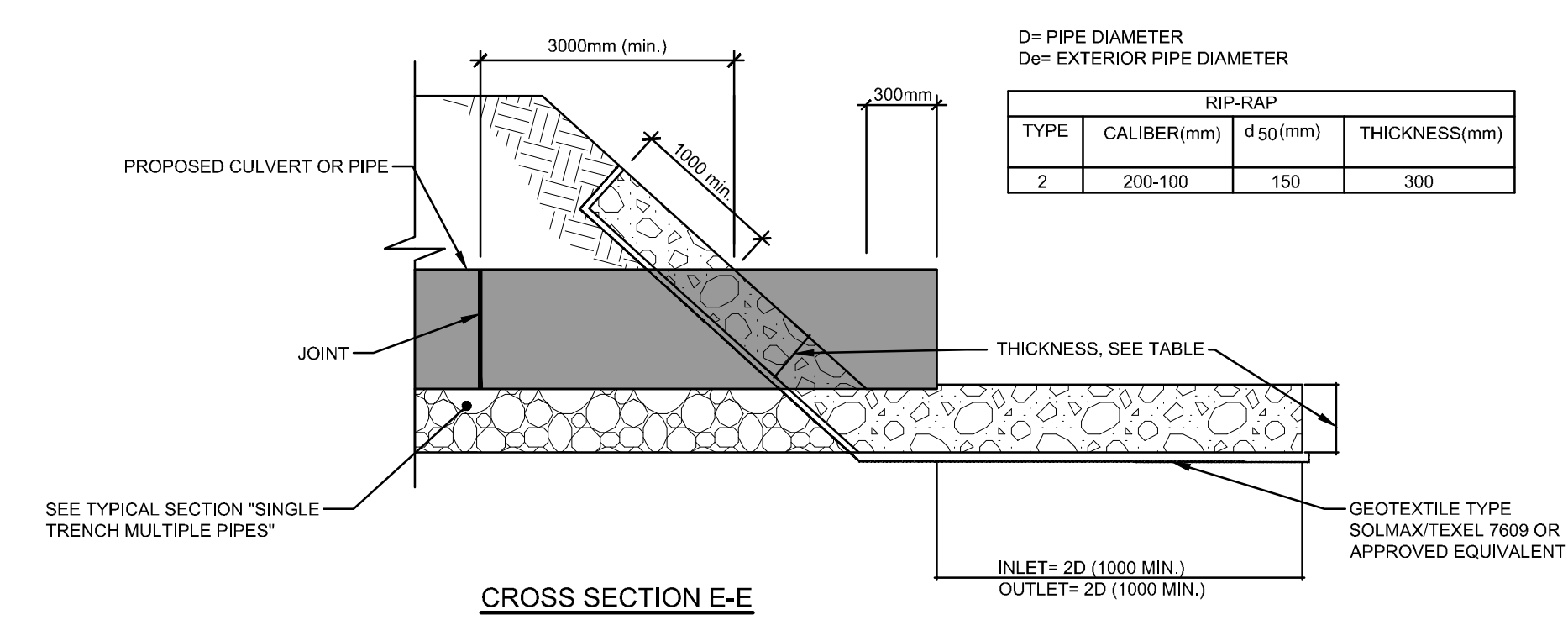
MINIMUM WIDTH OF INSULATION TABLE (L)

X	Q	150	200	250	300	375	450	525	600	INSULATION THICKNESS
750	1650	1700	1750	1800	1875	1950	2025	2100		100
1000	1150	1200	1250	1300	1375	1450	1525	1600		100
1250	650	700	750	800	875	950	1025	1100		75
1500	600	600	600	600	600	600	600	600		75
1750	600	600	600	600	600	600	600	600		50

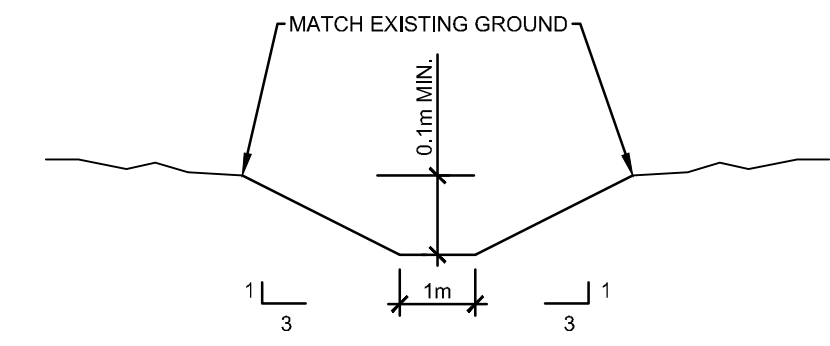
X ≥ 1000 : HI-40 (276 KPa)
X < 1000 : HI-60 (414 KPa)

L= INSULATION WIDTH (mm)
D= PIPE DIAMETER (mm)

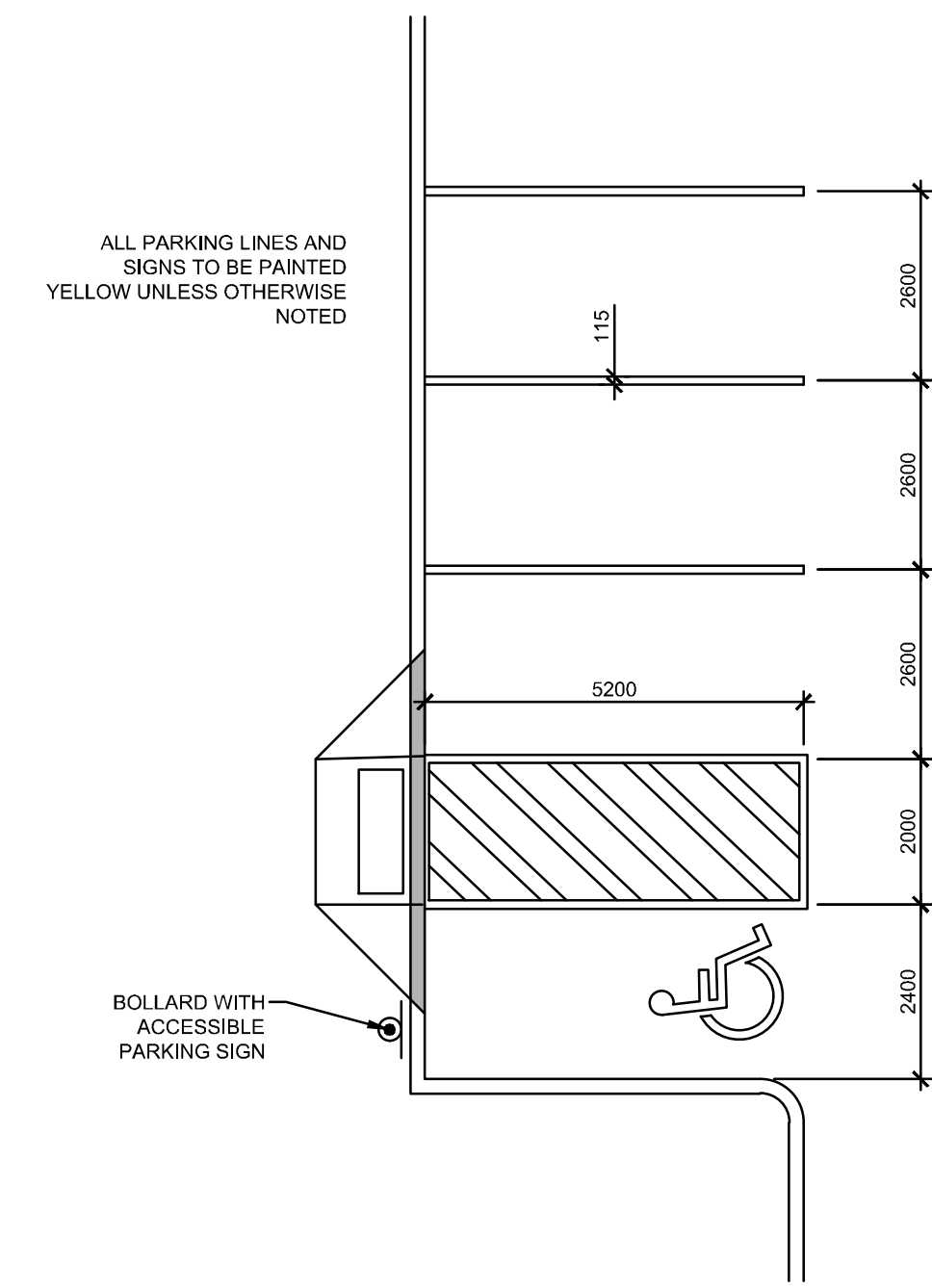
314A PIPE INSULATION (1.8m COVER) AUCUNE / NTS



319 INLET/OUTLET FOR CULVERT OR PIPE DETAIL (TYPICAL) AUCUNE / NTS

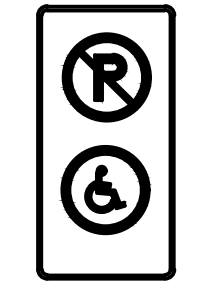


333 SWALE (TYPICAL) AUCUNE / NTS

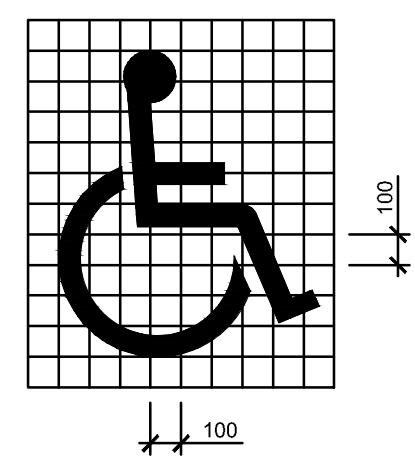


408 TYPICAL PARKING STALLS AUCUNE / NTS

ACCESSIBLE PARKING SIGN



P-150-5



409B ACCESSIBLE PARKING SIGN AND MARKING