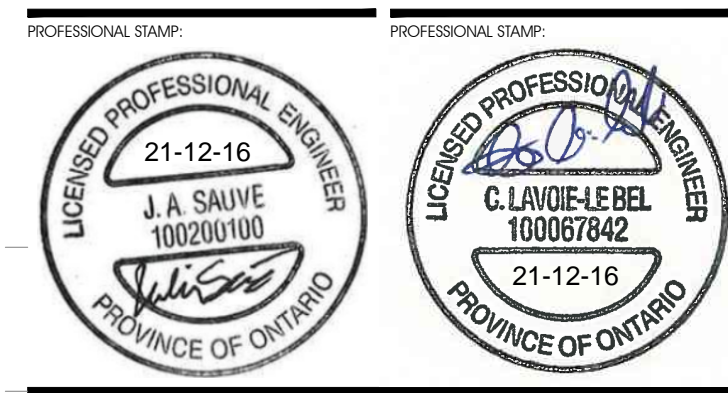


RECORD OF REVISIONS

NO.	REVISION	DATE (MM/DD/YYYY)
1	ISSUED FOR SITE PLAN APPROVAL	DECEMBER 16, 2021

PRELIMINARY 33%
NOT FOR CONSTRUCTION



CIVITAS ARCHITECTURE INC.
14 CHAMBERLAIN AVENUE, SUITE 101 OTTAWA, ON CANADA K1S 1V9
T: 613.742.7482
WWW.CIVITAS-INC.CA

PROJECT TITLE:
FASTFRATE OTTAWA WAREHOUSE AND DISTRIBUTION FACILITY

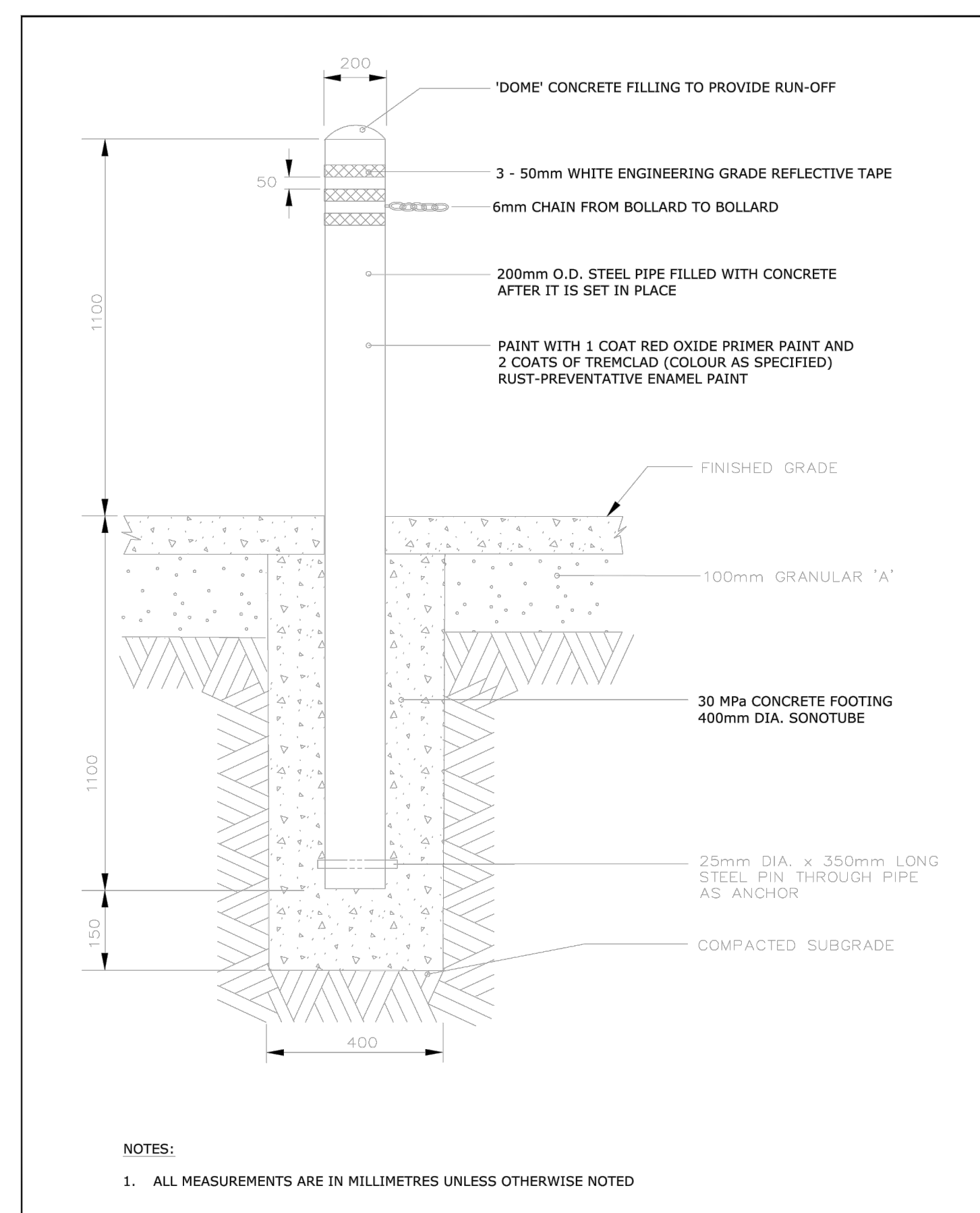
SCALE: NONE
SOMMIE ST. OTTAWA, ON

DETAILS

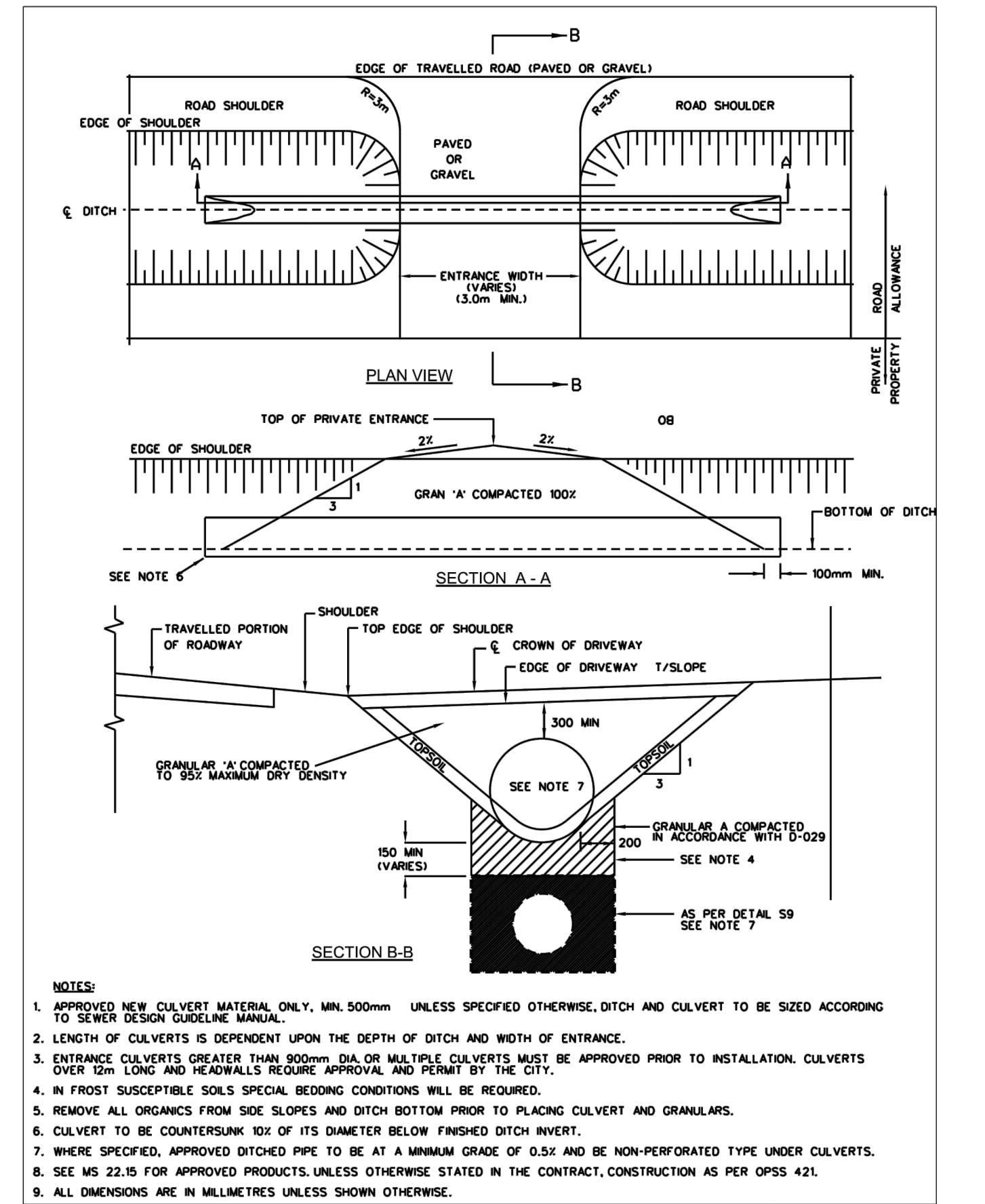
DRAWN BY: D.CANN DRAWING NUMBER: **C014**
DATE: _____
REVIEWED BY: J.SAUVE
APPROVED BY: _____
FIRST DATE: _____ REVISION NUMBER: _____
ISSUED DATE: NOVEMBER 26, 2021
CLIENT PROJECT #: _____ PROJECT #:

A001083

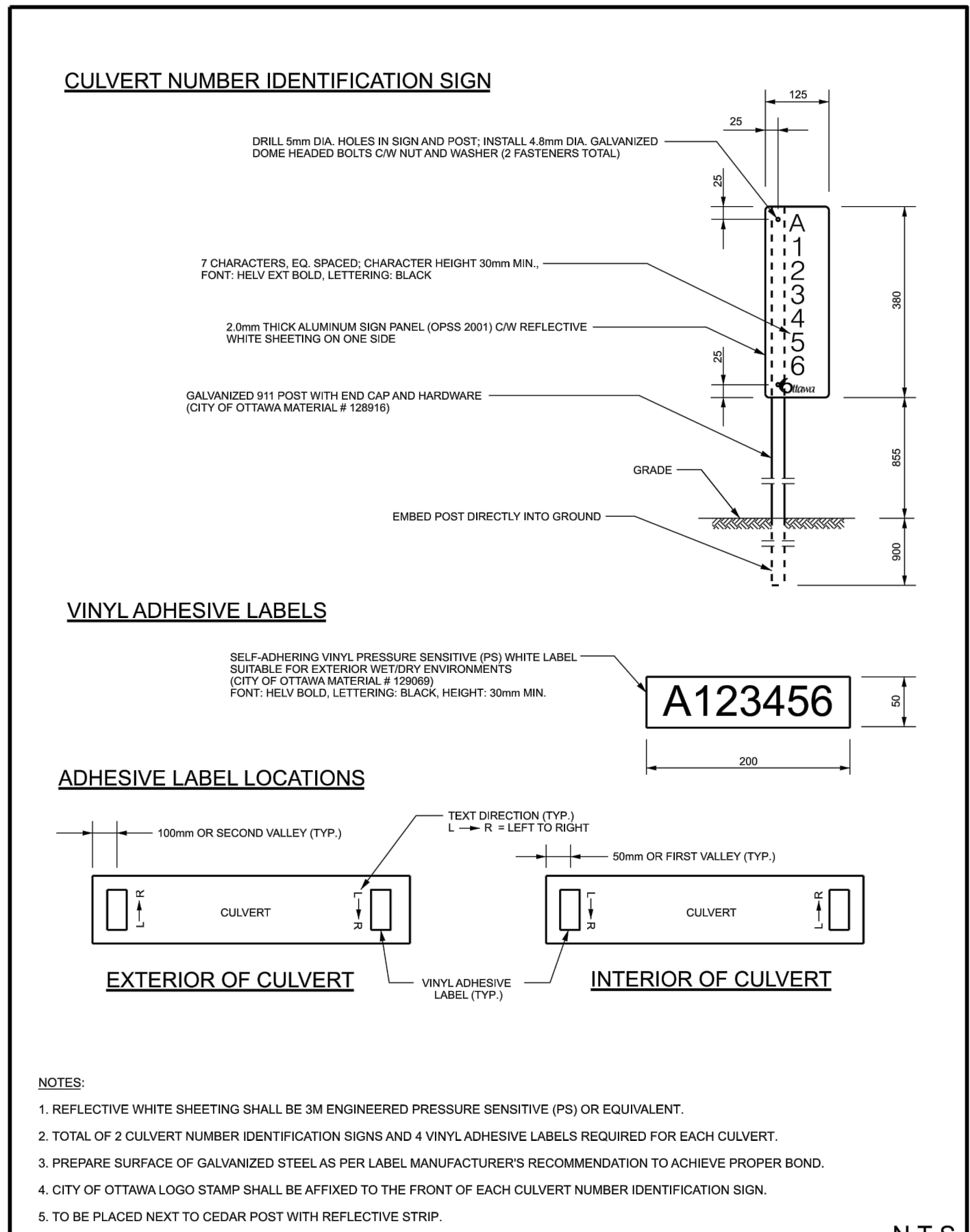
DO NOT SCALE THIS DRAWING. USE FIGURE DIMENSIONS ONLY. THE CONTRACTOR IS RESPONSIBLE FOR OBTAINING ALL DIMENSIONS AND NOTIFYING THE ARCHITECT OF ANY DISCREPANCIES BEFORE CONSTRUCTION COMMENCES. THE DRAWING IS TO BE READ IN CONJUNCTION WITH ALL STRUCTURAL, MECHANICAL, ELECTRICAL, CIVIL AND OTHER CONSULTANT DRAWINGS. THE DRAWING SHALL NOT BE USED FOR CONSTRUCTION PURPOSES UNLESS SIGNED BY THE ARCHITECT. COPYRIGHT RESERVED. ALL PARTS OF THIS DRAWING ARE THE EXCLUSIVE PROPERTY OF THE ARCHITECT AND SHALL NOT BE USED WITHOUT THE WRITTEN PERMISSION FROM THE ARCHITECT.



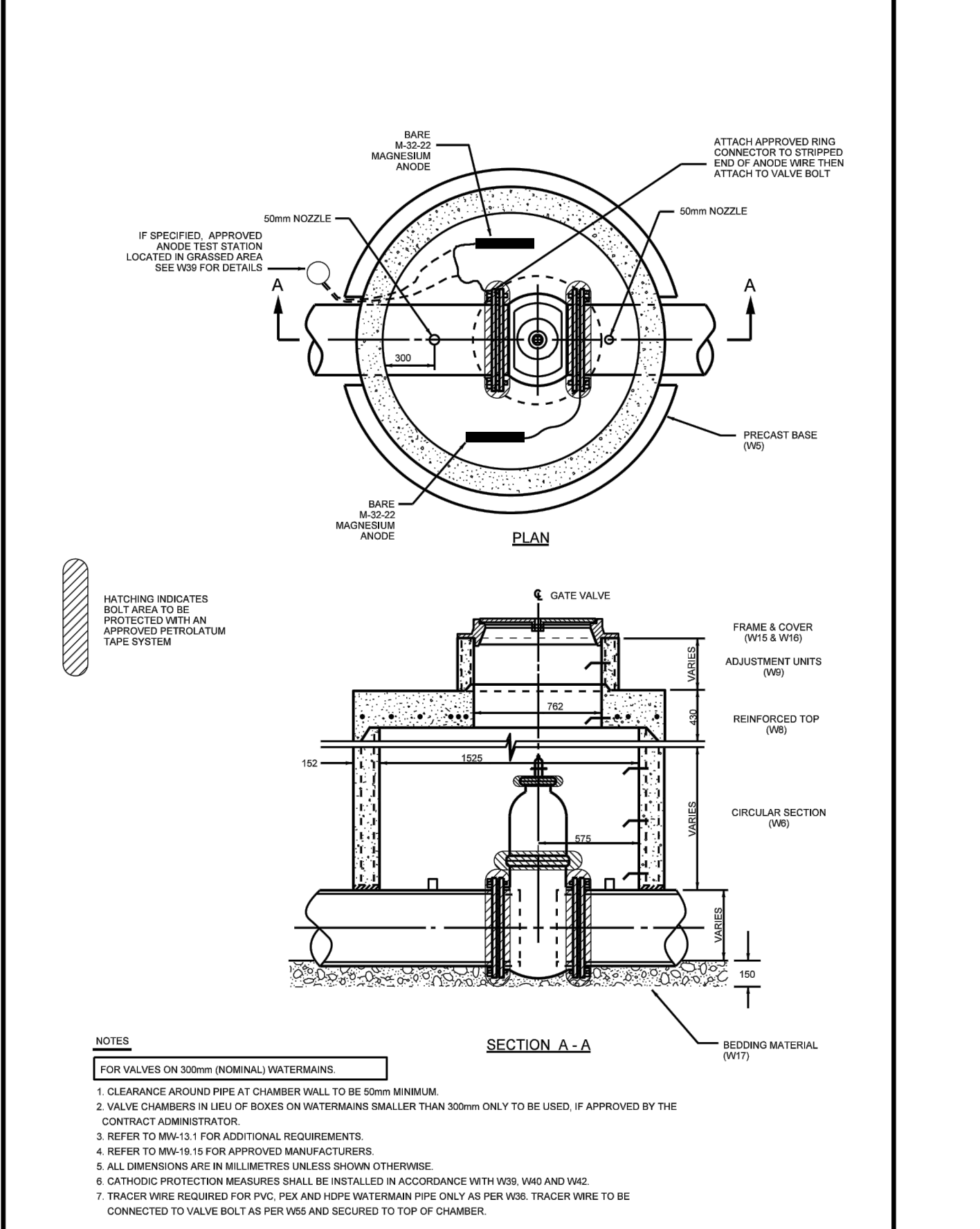
Ottawa TITLE: 200mm DIAMETER STEEL BOLLARD INSTALLATION FOR ROAD CLOSURE DATE: MAY 2001
REV: JAN 2015
DWG No: F4



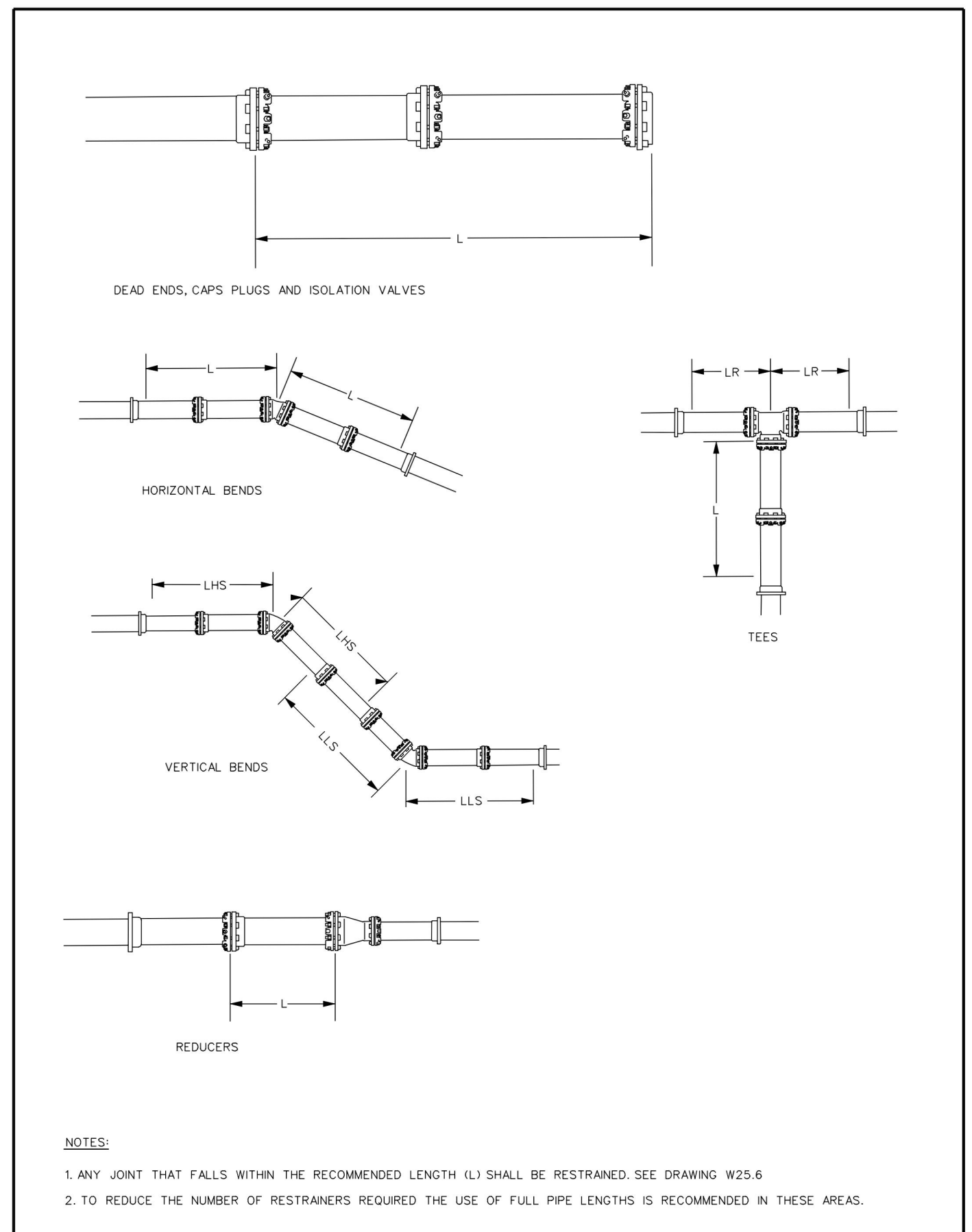
Ottawa PRIVATE ENTRANCE DETAIL - RURAL DATE: MAY 2001
REV: MARCH 2016
DWG No: S26



Ottawa CULVERT IDENTIFICATION SIGN FOR CULVERTS OWNED BY CITY OF OTTAWA DATE: SEPTEMBER 2006
REV: MARCH 2021
DWG No: S34



Ottawa CIRCULAR CHAMBER GATE VALVES DATE: MAY 2001
REV: MARCH 2021
DWG No: V0



Ottawa RESTRAINING AND RETAINING RINGS FOR PVC AND DI PIPE 400mm AND UNDER DATE: MAY 2001
REV: NONE
DWG No: W25.5

TABLE OF RESTRAINED LENGTHS FOR DI AND PVC WATERMAIN PIPE IN STANDARD GRANULAR 'A' EMBEDMENT IN SOILS OF BEARING CAPACITY OF 100 KPa AND OVER

REDUCERS	LARGER DIAMETER SIDE (TO BE RESTRAINED)					
	100mm	150mm	200mm	250mm	300mm	400mm
100mm	N/A	3	6	8	10	14
150mm	N/A	N/A	4	6	9	13
200mm	N/A	N/A	N/A	3	6	11
250mm	N/A	N/A	N/A	N/A	4	9
300mm	N/A	N/A	N/A	N/A	N/A	7
400mm	N/A	N/A	N/A	N/A	N/A	N/A

DEAD ENDS, CAPS, PLUGS, VALVES	PIPE DIAMETER					
	100mm	150mm	200mm	250mm	300mm	400mm
BEFORE CAPS AND EITHER SIDE OF VALVES - L	5	6	9	10	12	16

VERTICAL BENDS	PIPE DIAMETER					
	100mm	150mm	200mm	250mm	300mm	400mm
LENGTH HIGH SIDE - LHS	3	4	5	6	7	9
LENGTH LOW SIDE - LLS	1.5	2	2.5	3	3.5	4.5

TEES	PIPE DIAMETER					
	100mm	150mm	200mm	250mm	300mm	400mm
LENGTH ALONG THE BRANCH - L	1	1	1	1	1	1
LENGTH ALONG THE RUN - LR	3	3	3	3	3	3

HORIZONTAL BENDS	PIPE DIAMETER					
	100mm	150mm	200mm	250mm	300mm	400mm
11.25, 22.5, AND 45 DEGREE BENDS	1	1.5	1.5	2	2	2.5

Ottawa TABLES OF RESTRAINED LENGTHS FOR PVC AND DI PIPE 400mm AND UNDER DATE: MAY 2001
REV: MARCH 2011
DWG No: W25.6