

REVISION	DATE
ISSUED FOR 66% REVIEW	JULY 15, 2022
ISSUED FOR 66% REVIEW	JUNE 7, 2022
ISSUED FOR SITE PLAN APPROVAL	DECEMBER 16, 2021

PROFESSIONAL STAMP:



CIVITAS ARCHITECTURE INC. OTTAWA, ON T 613.742.7492
14 CHAMBERLAIN AVENUE, SUITE 101, CANADA K1S 1V9 WWW.CIVITAS-INC.CA



PROJECT TITLE:
FASTFRATE OTTAWA WAREHOUSE AND DISTRIBUTION FACILITY

SCALE: NONE
SOMME ST, OTTAWA, ON

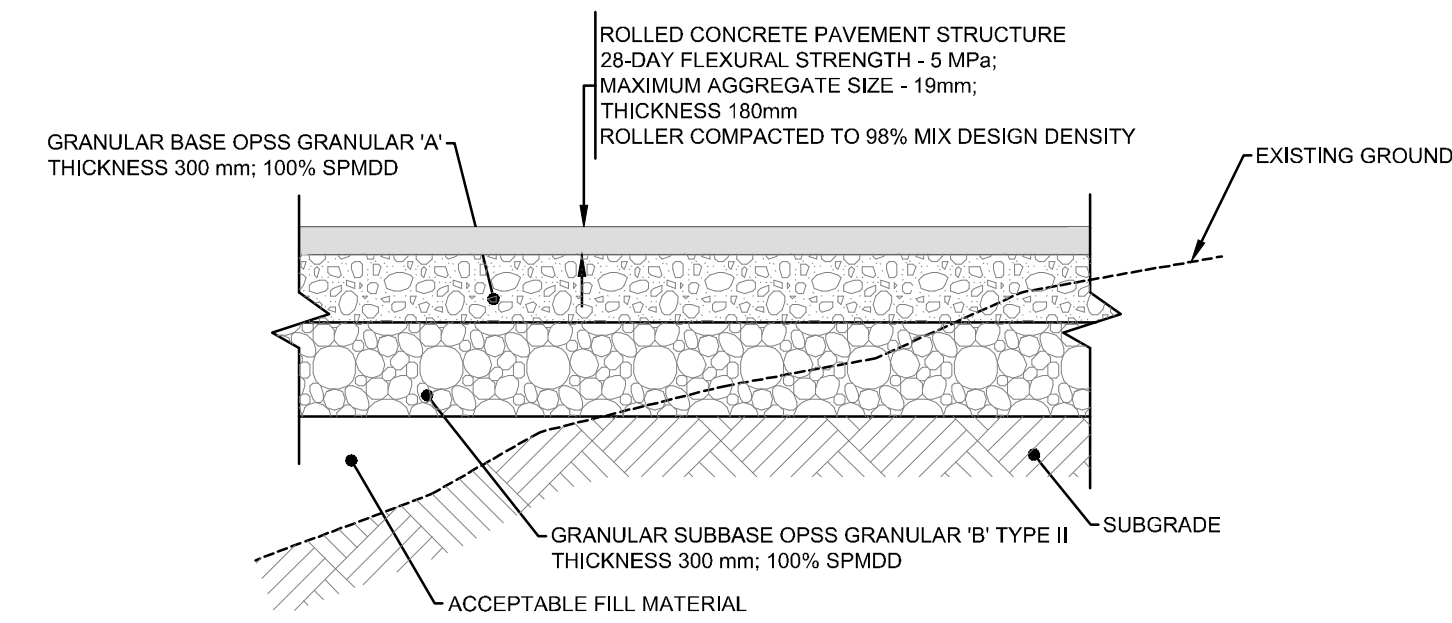
DRAWING TITLE:

DETAILS

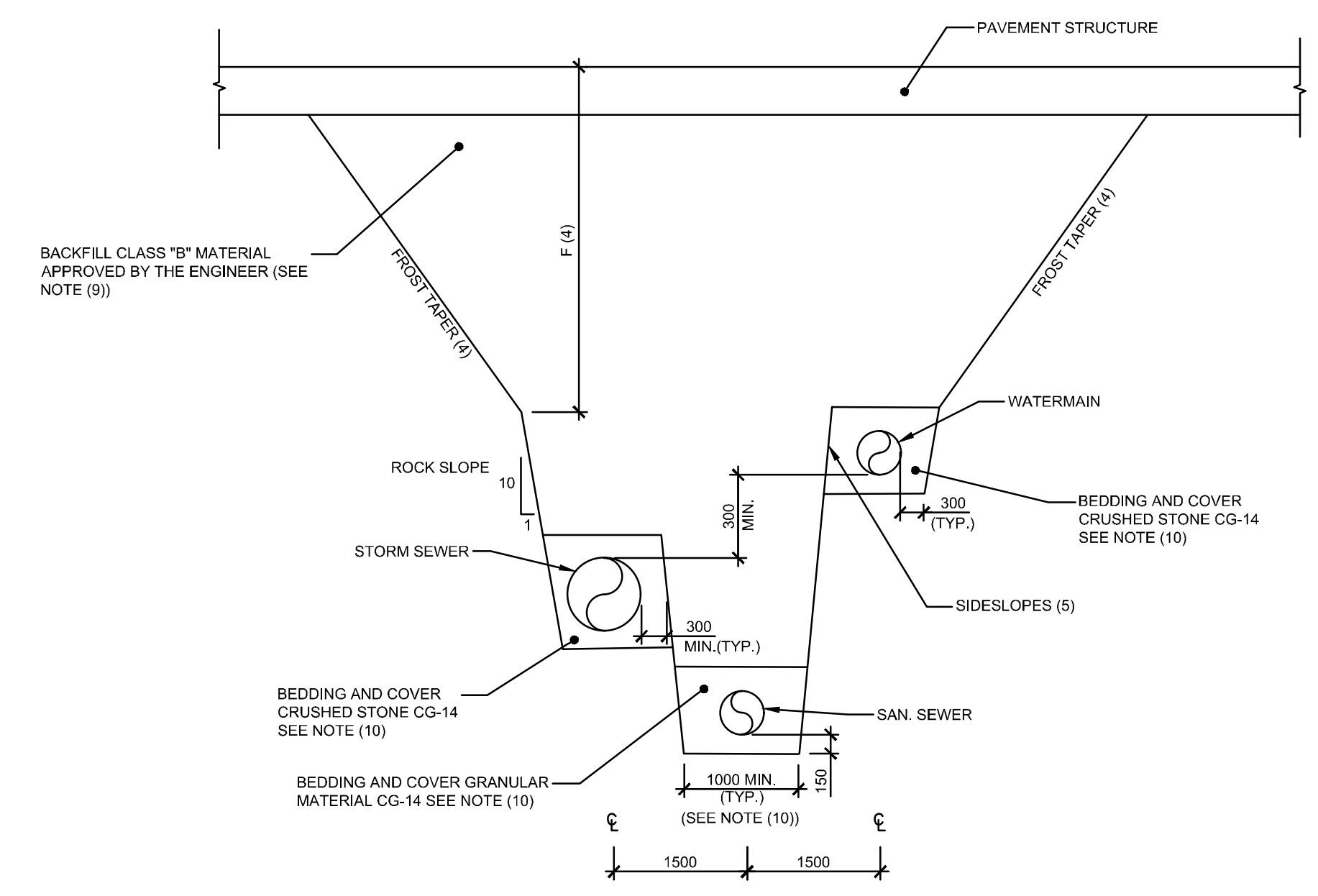
DRAWN BY: D.CANN DRAWING NUMBER: **C012**
 DATE: J.SAUVE
 REVIEWED BY: J.SAUVE
 APPROVED BY: J.SAUVE
 PRINT DATE: NOVEMBER 26, 2021 REVISION NUMBER:
 CLIENT PROJECT #: PROJECT #:

A001083

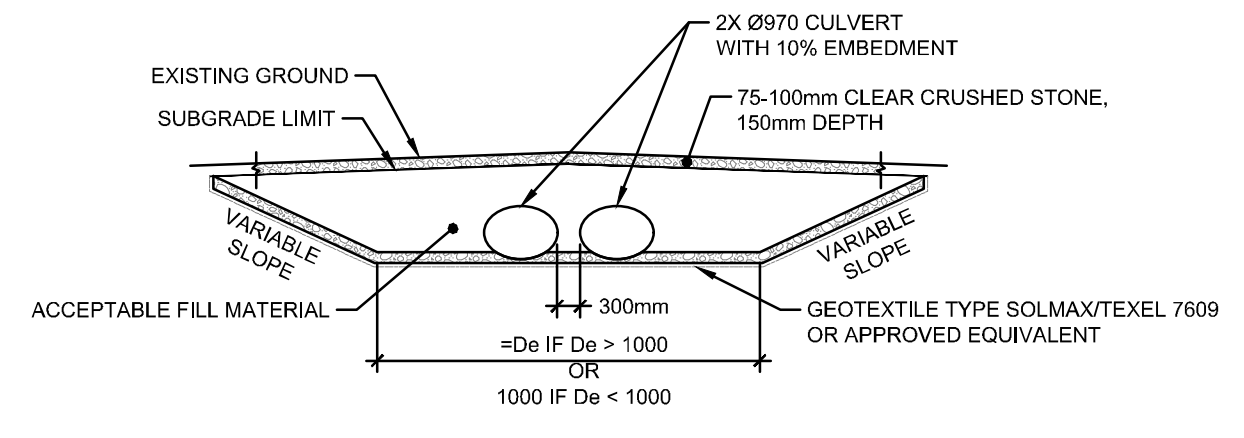
DO NOT SCALE THIS DRAWING. USE DIMENSIONS ONLY. THE CONTRACTOR IS RESPONSIBLE FOR VERIFYING ALL DIMENSIONS AND VERIFYING THE ARCHITECT OF ANY DISCREPANCIES BEFORE CONSTRUCTION COMMENCES. THE DRAWING IS TO BE READ IN CONJUNCTION WITH ALL STRUCTURAL, MECHANICAL, ELECTRICAL, CIVIL AND OTHER CONSULTANT DRAWINGS. THIS DRAWING SHALL NOT BE USED FOR CONSTRUCTION PURPOSES UNLESS SOLED BY THE ARCHITECT. COPYRIGHT RESERVED. ALL PARTS OF THIS DRAWING ARE THE EXCLUSIVE PROPERTY OF THE ARCHITECT AND SHALL NOT BE REPRODUCED WITHOUT THE EXPRESSED PERMISSION FROM THE ARCHITECT.



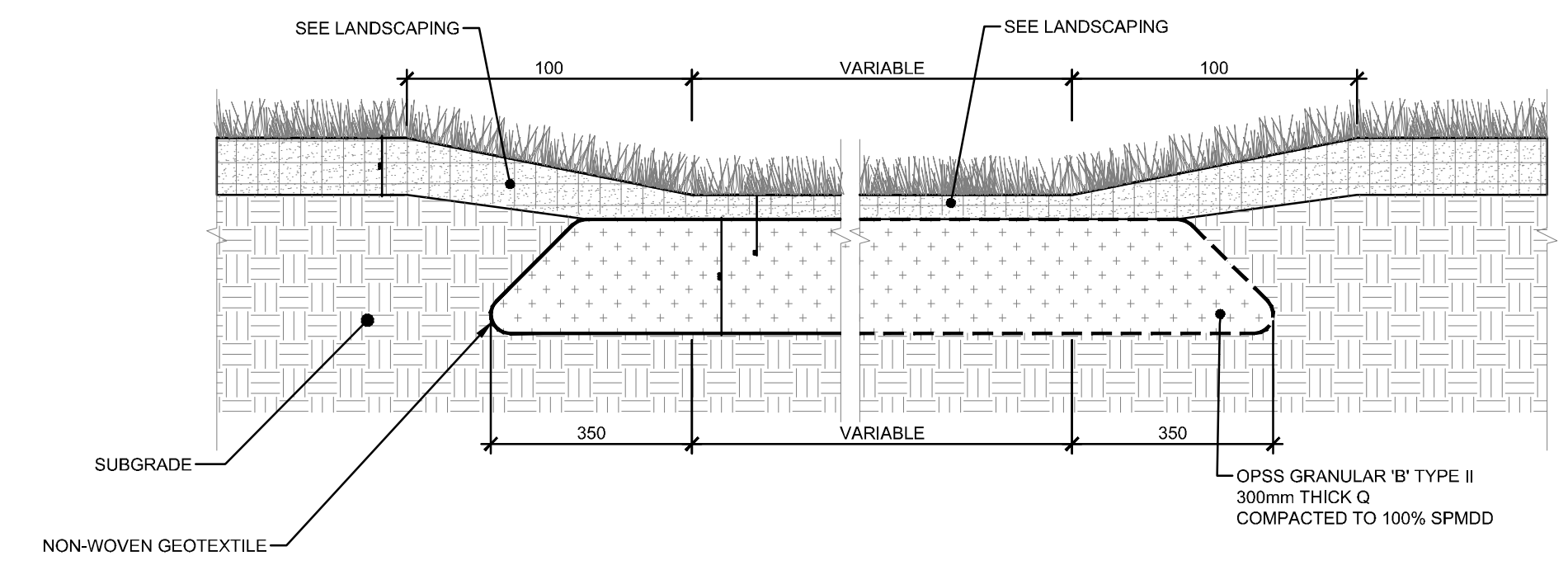
203 TYPICAL SECTION - GRANULAR FOUNDATION AND CONCRETE PAVEMENT (HEAVY DUTY)
AUCUNE / NTS



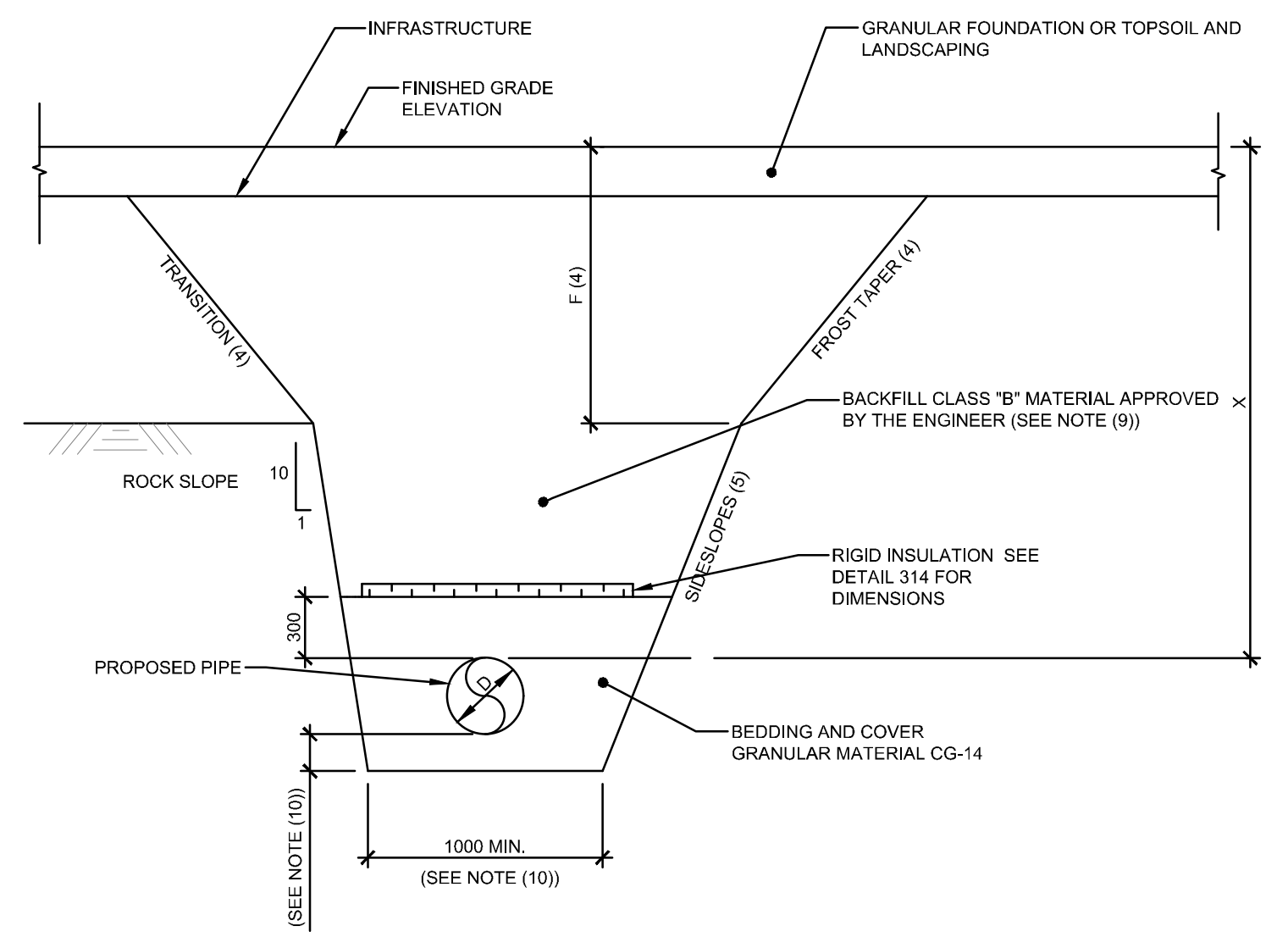
308 TYPICAL SECTION SINGLE TRENCH - MULTIPLE PIPES
AUCUNE / NTS



212 MUD MAT - TEMPORARY CONSTRUCTION ENTRANCE
ECHELLE/SCALE: 1:100



215 SEPTIC SYSTEM MAINTENANCE TRUCK ACCESS AREA
AUCUNE / NTS



NOTES:
A - WHEN X < 1.8m, INSULATION IS REQUIRED FOR WATERMAIN
B - WHEN X < 1.5m, INSULATION IS REQUIRED FOR SEWER

309 TYPICAL SECTION FROST PROTECTION FOR SEWERS, CATCHBASIN LEAD AND WATERMAIN
AUCUNE / NTS

APPROVED
By Adam Brown at 9:38 am, Feb 07, 2023

Adam Brown

ADAM BROWN
 MANAGER, DEVELOPMENT REVIEW - RURAL
 PLANNING, REAL ESTATE & ECONOMIC DEVELOPMENT
 DEPARTMENT, CITY OF OTTAWA