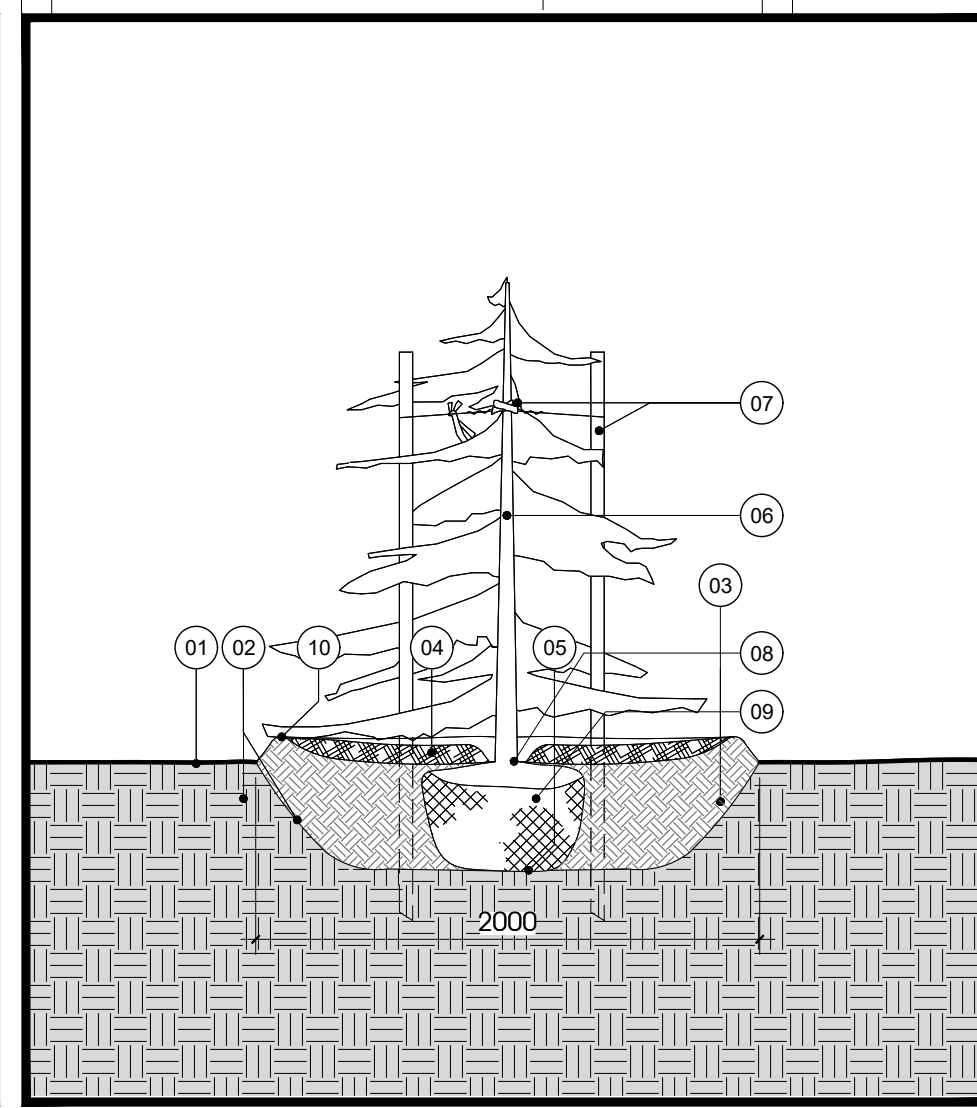
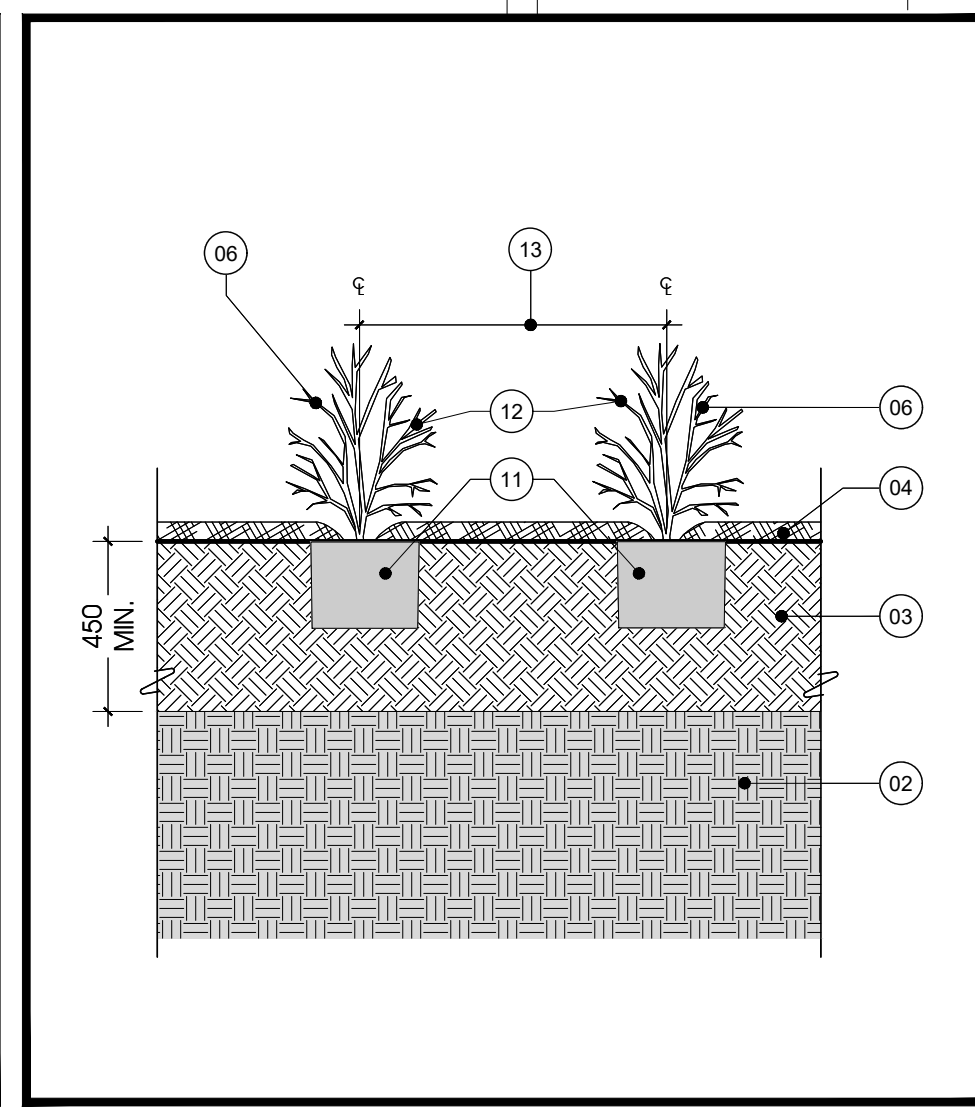


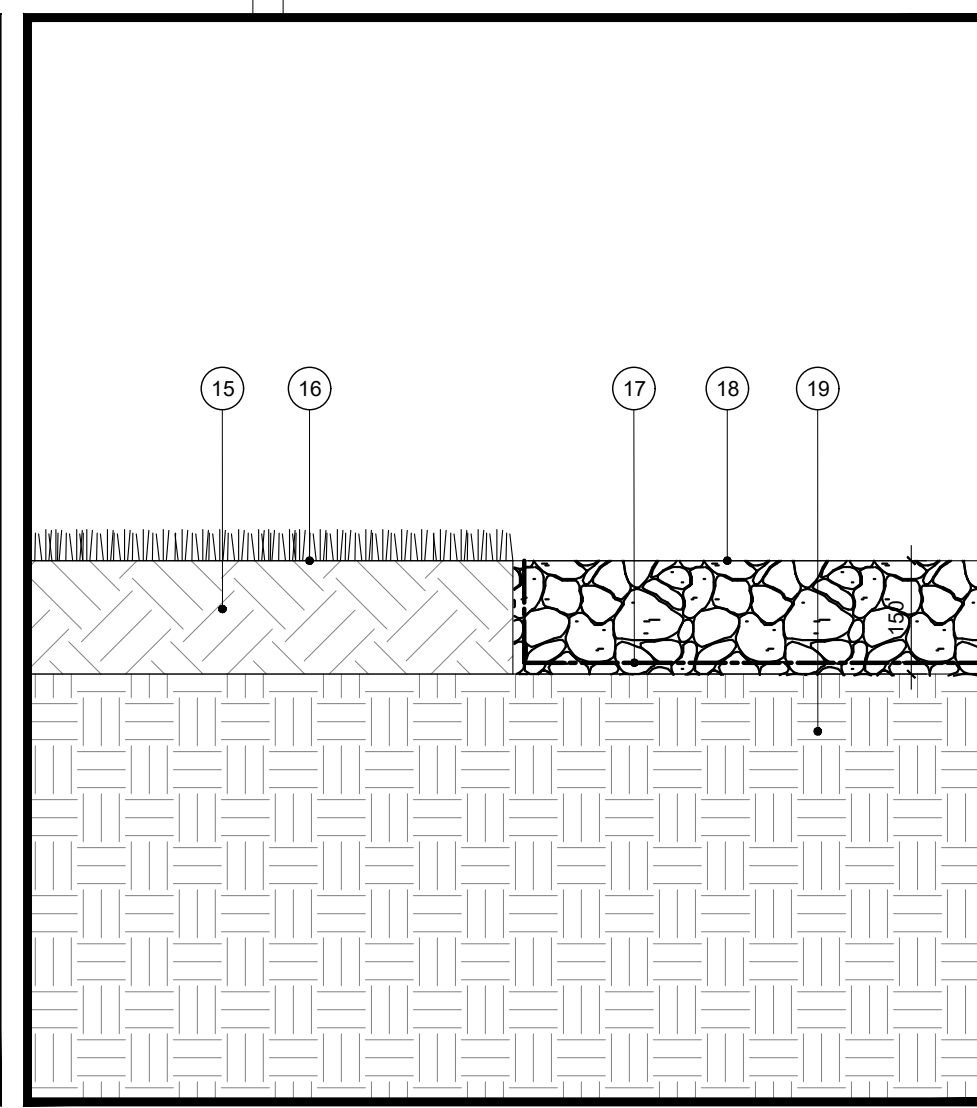
1 DECIDUOUS TREE PLANTING DETAIL
L101 1:30



2 CONIFEROUS TREE PLANTING DETAIL
L101 1:30



3 SHRUB PLANTING DETAIL
L101 1:20



4 MAINTENANCE STRIP DETAIL
L101 1:10

DRAWING NOTES, L101

- 01 FINISHED GRADE.
- 02 EXISTING SUBGRADE. SCARIFY SUBGRADE OF PLANTING BED.
- 03 TOPSOIL. COMPACT TO ELIMINATE AIR POCKETS AND PREVENT SETTLEMENT.
- 04 75mm DEPTH MULCH. PULL BACK MULCH FROM BASE OF TRUNK OR STEMS. ENSURE THAT MULCH COVERS ALL EXPOSED SOIL.
- 05 ROOTBALL SET ON WELL COMPACTED TOPSOIL, RAISED AT CENTRE.
- 06 PERFORM REQUIRED PRUNING TO APPROVAL OF PROJECT MANAGER, AND REMOVE ALL NURSERY TAGS ONCE APPROVED.
- 07 MIN. 2400mm LONG STAKE SECURE WITH TIE, ALLOWING SLACK. STAKE BEYOND EDGE OF ROOT BALL. REMOVE AT END OF WARRANTY PERIOD.
- 08 ROOTBALL SET WITH TOP OF ROOT FLARE AT 50mm ABOVE SURROUNDING FINISHED GRADE TO ALLOW FOR SETTLEMENT.
- 09 WIRES, BINDING AND BURLAP REMOVED FROM TOP 2/3 OF ROOTBALL.
- 10 BUILT UP AREA TO PROVIDE 100mm HIGH SAUCER (25mm SOIL MIX AND 75mm MULCH).
- 11 REMOVE POTS COMPLETELY FROM POTTED STOCK.
- 12 FOR PLANT SPECIES, REFER TO PLANT SCHEDULE.
- 13 FOR PLANT SPACING, REFER TO PLANT SCHEDULE.
- 14 TOP OF ROOT BALL TO BE AT FINISHED GRADE.
- 15 NEW TOPSOIL.
- 16 NEW GRASS OR PLANTING BED, REFER TO L100.
- 17 NON-WOVEN GEOTEXTILE.
- 18 COMPACTED STONE DUST.
- 19 COMPACTED SUBGRADE.

CLIENT LOGO: **FASTFRATE CBRE**

KEY PLAN:

BLUE NORTH: PROJECT NORTH:

SITE PLANTING SCHEDULE

SYMBOL	QUANTITY	BOTANICAL NAME	COMMON NAME	SPACING	SIZE	CONDITION
DECIDUOUS TREES						
AL	2	AMELANCHIER LAEVIS (MULTI-STEM)	ALLEGHENY SERVICEBERRY		50mm CAL.	B&B.
AR	4	ACER RUBRUM	RED MAPLE		50mm CAL.	B&B.
MS	1	MAGNOLIA X SOULANGEANA	SAUCER MAGNOLIA		50mm CAL.	B&B.
PI	7	POPULUS TREMULOIDES	TREMBLING ASPEN		50mm CAL.	B&B.
PV	16	PRUNUS VIRGINIANA	COMMON CHOKECHERRY		50mm CAL.	B&B.
TA	3	TILIA AMERICANA	BASSWOOD		50mm CAL.	B&B.
CONIFEROUS TREES						
AB	5	ABIES BALSAMEA	BALSAM FIR		250cm HT.	B&B.
JV	6	JUNIPERUS VIRGINIANA	EASTERN RED CEDAR		250cm HT.	B&B.
PA	1	PICEA ABIES	NORWAY SPRUCE		250cm HT.	B&B.
PG	3	PICEA GLAUCA	WHITE SPRUCE		250cm HT.	B&B.
PR	2	PINUS RESINOSA	RED PINE		250cm HT.	B&B.

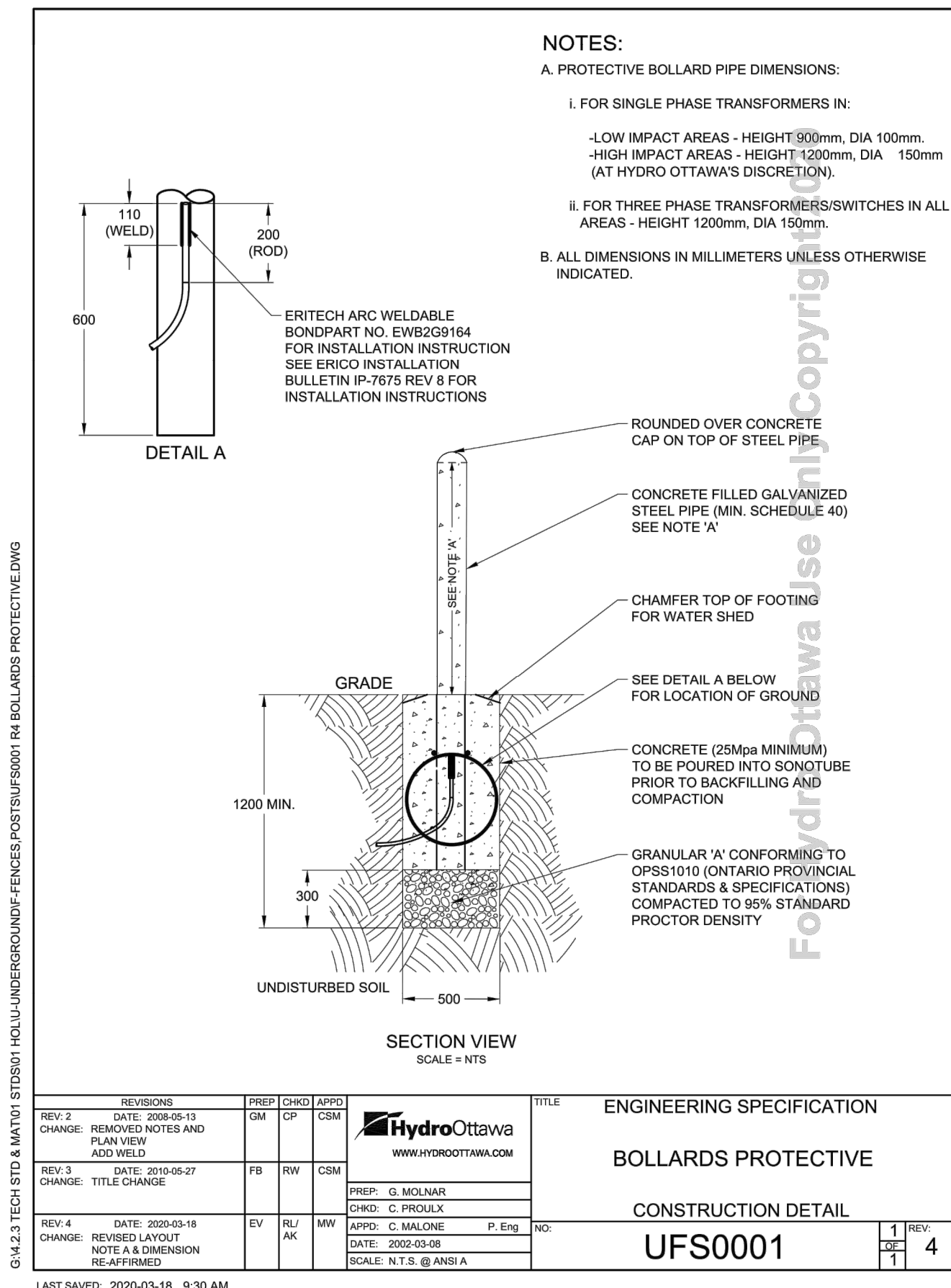
SYMBOL	QUANTITY	BOTANICAL NAME	COMMON NAME	SPACING	SIZE	CONDITION
DECIDUOUS SHRUBS						
DI	116	DIERVILLA LONICERA	BUSH HONEYSUCKLE	100cm	3 GAL.	POT
Ri	71	ROSA RUBIGOSA HANSA	HANSA ROSE	100cm	3 GAL.	POT
Sd	46	SYRINGA X PRESTONIAE DONALD WYMAN	DONALD WYMAN LILAC	150cm	5 GAL.	POT
Si	37	SYRINGA X PRESTONIAE ISABELLA	ISABELLA LILAC	150cm	5 GAL.	POT
Sp	53	SYRINGA PETULA MISS KIM	MISS KIM LILAC	120cm	5 GAL.	POT
CONIFEROUS SHRUBS						
Jh	45	JUNIPERUS HORIZONTALIS COMPACT ANDORRA	COMPACT ANDORRA JUNIPER	180cm	3 GAL.	POT

BUFFER ZONE PLANTING SCHEDULE

SYMBOL	QUANTITY	BOTANICAL NAME	COMMON NAME	SPACING	SIZE	CONDITION
DECIDUOUS TREES						
AR	5	ACER RUBRUM	RED MAPLE	SEE NOTES	40mm CAL.	B&B.
AS	6	ACER SACCHARINUM	SUGAR MAPLE	SEE NOTES	40mm CAL.	B&B.
BA	4	BETULA ALLEGHAMENSIS	YELLOW BIRCH	SEE NOTES	40mm CAL.	B&B.
CC	5	CARPINUS CAROLINIANA	AMERICAN HORNBEAM	SEE NOTES	40mm CAL.	B&B.
CR	6	CRATAEGUS CRUSSGALLI VAR. INERMIS	HAWTHORN	SEE NOTES	40mm CAL.	B&B.
FG	6	FAGUS GRANDIFOLIA	AMERICAN BEECH	SEE NOTES	40mm CAL.	B&B.
CONIFEROUS TREES						
TO	4	TILIA OCCIDENTALIS	EASTERN WHITE CEDAR	SEE NOTES	40mm CAL.	B7B.

VEGETATED RETAINING WALL PLANTING SCHEDULE

SYMBOL	QUANTITY	BOTANICAL NAME	COMMON NAME	SPACING	SIZE	CONDITION
LOWER PLANTING ZONE - DECIDUOUS SHRUBS						
Am	19	ARONIA MELANOCARPA	BLACK CHOKECHERRY	3m O/C	50cm	3GAL POT
DI	71	DIERVILLA LONICERA	BUSH HONEYSUCKLE	3m O/C	50cm	3GAL POT
Ra	71	RHUS AROMATICA	FRAGRANT SUMAC	3m O/C	50cm	3GAL POT
UPPER PLANTING ZONE - DECIDUOUS SHRUBS						
Ca	10	CORYLUS AMERICANA	AMERICAN HAZELNUT	3m O/C	50cm	3GAL POT
Po	34	PHYSCARPUS OPULENSIS	COMMON NINEBARK	3m O/C	50cm	3GAL POT
Sc	20	SAMBUCUS CANADENSIS	AMERICAN ELDERBERRY	3m O/C	50cm	3GAL POT
Vl	10	VIBURNUM LENTAGO	NANNIBERRY	3m O/C	50cm	3GAL POT



REV	DATE	BY	CHKD	APPD	DESCRIPTION
REV 1	2020-03-13	GM	CP	CSM	REMOVED NOTES AND PLAN VIEW
REV 2	2020-03-27	FB	RM	CSM	TITLE CHANGE
REV 3	2020-03-18	EV	RL	AK	REVISED LAYOUT NOTE A & DIMENSION RE-APPROVED

HydroOttawa
www.hydroottawa.com

ENGINEERING SPECIFICATION
BOLLARDS PROTECTIVE
CONSTRUCTION DETAIL
UFS0001

LAST SAVED: 2020-03-18 9:30 AM

VEGETATED RETAINING WALL PLANTING NOTES

- 01 SHRUBS TO BE PLANTED ON LEVEL AREAS OF RETAINING WALL ONLY AND IS TO ACHIEVE A RANDOM/NATURAL ARRANGEMENT.

RECORD OF REVISIONS:

NO.	DESCRIPTION	DATE
1	ISSUED FOR SITE PLAN APPROVAL	2021-08-13
2	ISSUED FOR SITE PLAN APPROVAL	2021-12-14

NAME: REVISION: DATE: (MM/DD/YYYY)

PROFESSIONAL STAMP: PROFESSIONAL STAMP:

CIVITAS GROUP
ARCHITECTURE & LANDSCAPE ARCHITECTURE

CIVITAS ARCHITECTURE INC. OTTAWA, ON 1-613-742-7482
14 CHAMBERLAIN AVENUE, SUITE 101 CANADA K1S 1V9 WWW.CIVITAS-INC.CA

CONSULTANT LOGO:

PROJECT TITLE:
NEW WAREHOUSE & CROSS DOCK FACILITY
301 SOMME STREET,
OTTAWA, ON

DRAWING TITLE:
LANDSCAPE ASSEMBLIES & DETAILS

DRAWN BY:	DATE:	2021-12-14	DRAWING NUMBER:	L101
REVIEWED BY:	D. RANCIER			
APPROVED BY:	D. RANCIER			
ISSUED DATE:	2021-12-14			
CLIENT PROJECT #:				
PROJECT #:				

DO NOT SCALE THE DRAWINGS. USE FIGURE DIMENSIONS ONLY. THE CONTRACTOR IS RESPONSIBLE FOR VERIFYING ALL DIMENSIONS AND NOTIFYING THE ARCHITECT OF ANY DISCREPANCIES BEFORE CONSTRUCTION COMMENCES. THE DRAWING IS TO BE READ IN CONJUNCTION WITH ALL STRUCTURAL, MECHANICAL, ELECTRICAL, CIVIL AND OTHER CONSULTANT DRAWINGS. THIS DRAWING SHALL NOT BE USED FOR CONSTRUCTION PURPOSES UNLESS SIGNED BY THE ARCHITECT. COPYRIGHT RESERVED. ALL PARTS OF THIS DRAWING ARE THE EXCLUSIVE PROPERTY OF THE ARCHITECT AND SHALL NOT BE USED WITHOUT THE EXPRESSED PERMISSION FROM THE ARCHITECT.