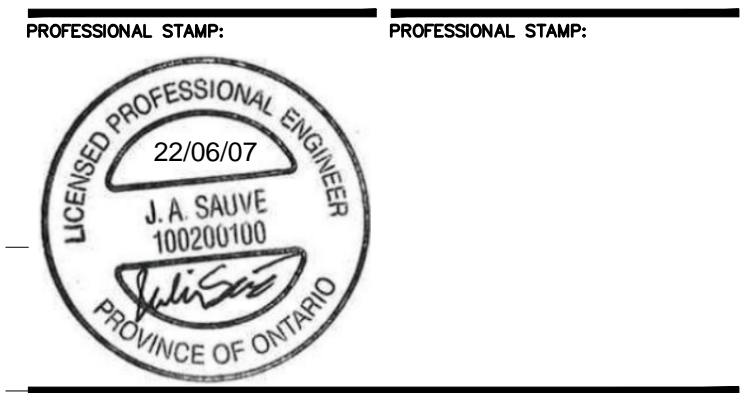


RECORD OF REVISIONS:

1	ISSUED FOR SITE PLAN CONTROL REV. 2	JUNE 7, 2022
2	ISSUED FOR SITE PLAN APPROVAL	DECEMBER 16, 2021

NUMBER: REVISION: DATE: (MM/DD/YYYY)

PRELIMINARY 33%
NOT FOR CONSTRUCTION



CIVITAS GROUP
ARCHITECTURE & LANDSCAPE ARCHITECTURE

CIVITAS ARCHITECTURE INC. OTTAWA, ON T: 613.742.7482
14 CHAMBERLAIN AVENUE, SUITE 101 CANADA K1S 1V9 WWW.CIVITAS-INC.CA
CONSULTANT LOGO:

PROJECT TITLE:
FASTFRATE OTTAWA WAREHOUSE AND DISTRIBUTION FACILITY

SCALE: NONE

SOMME ST. OTTAWA, ON

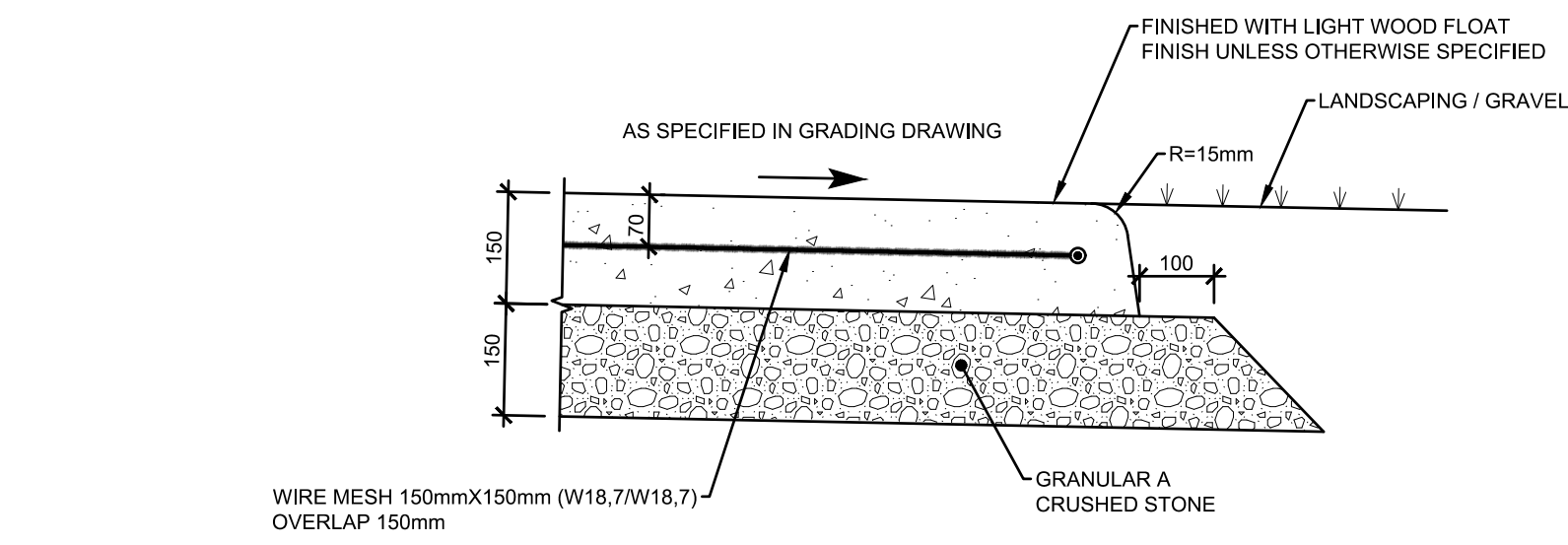
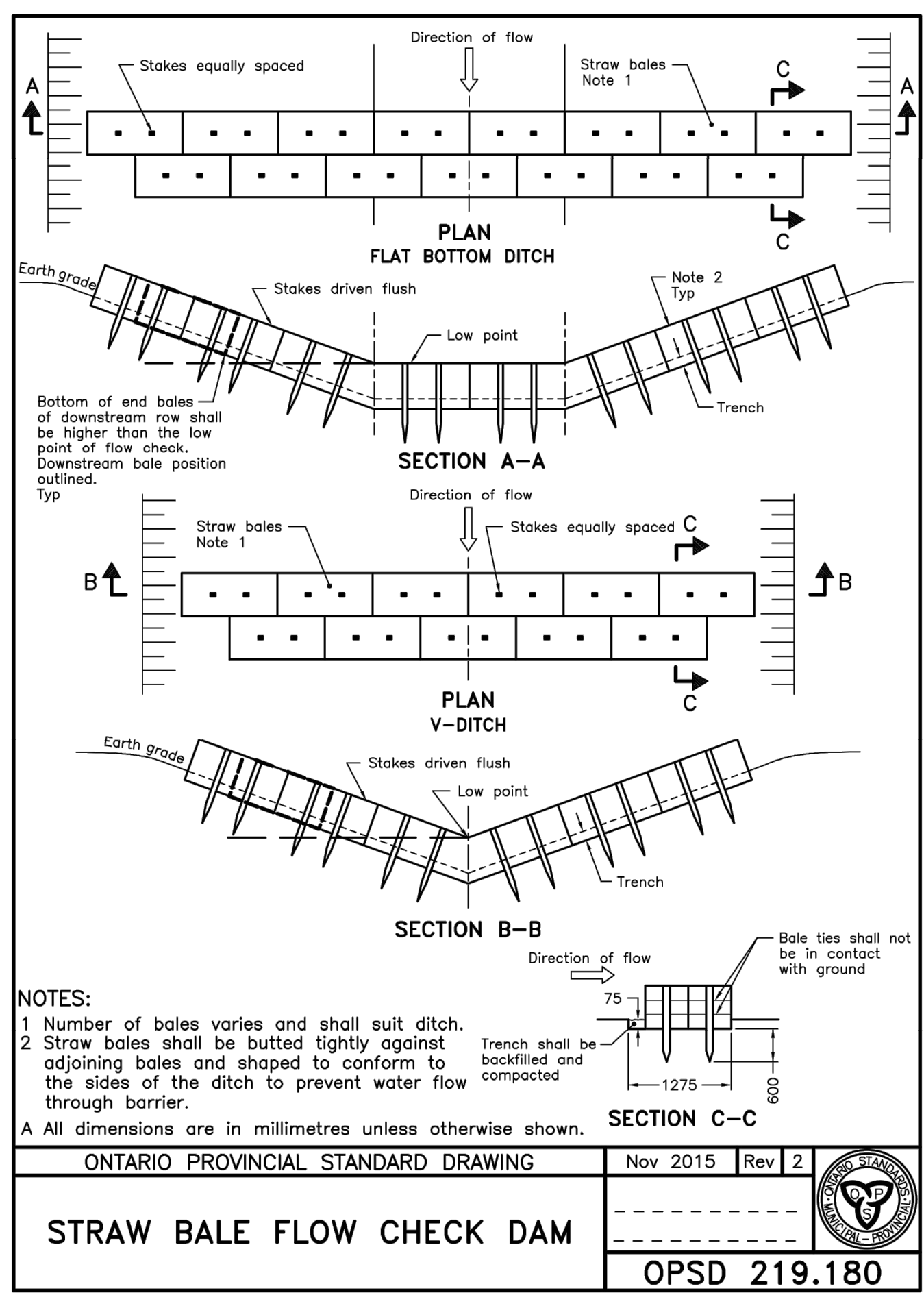
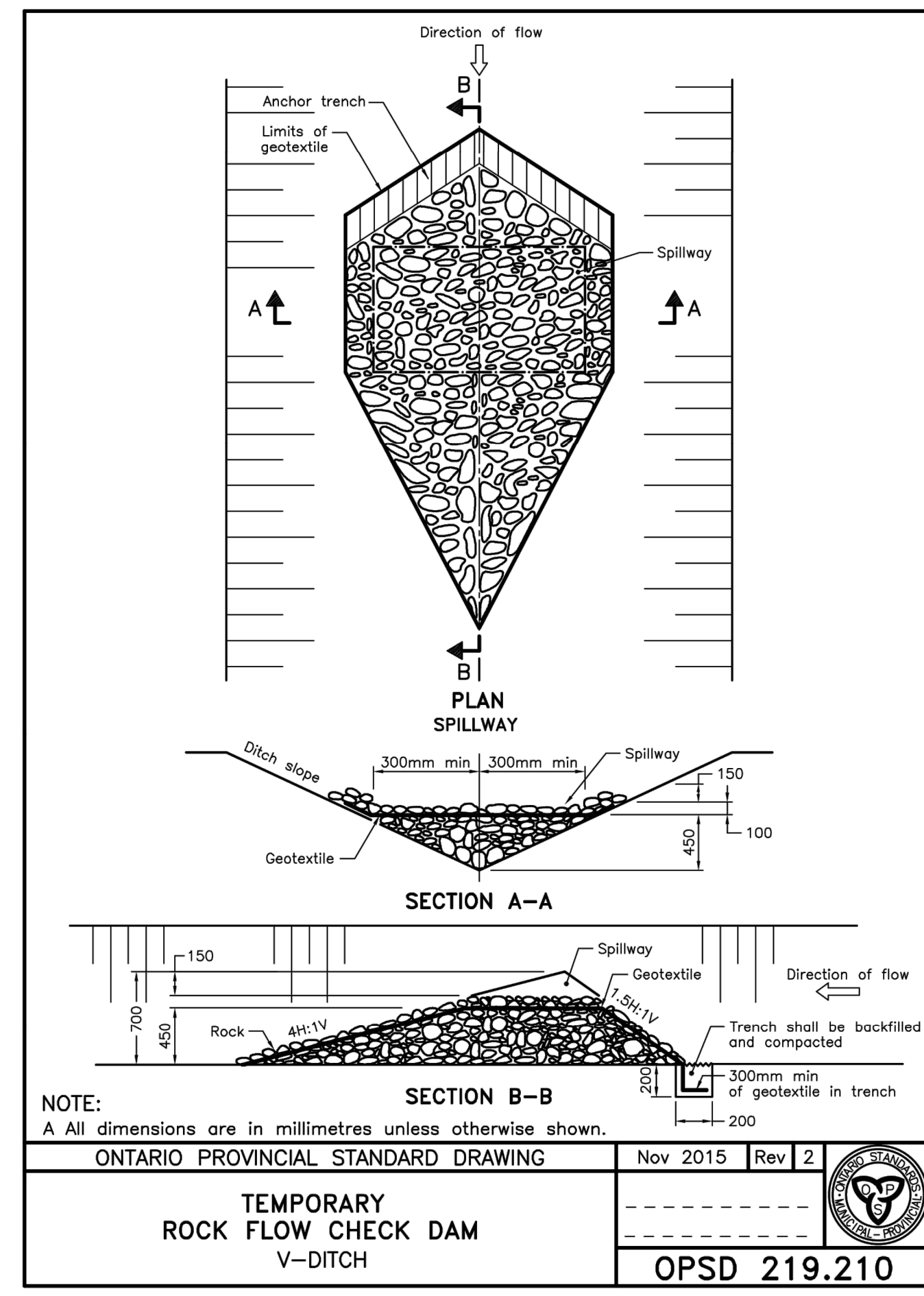
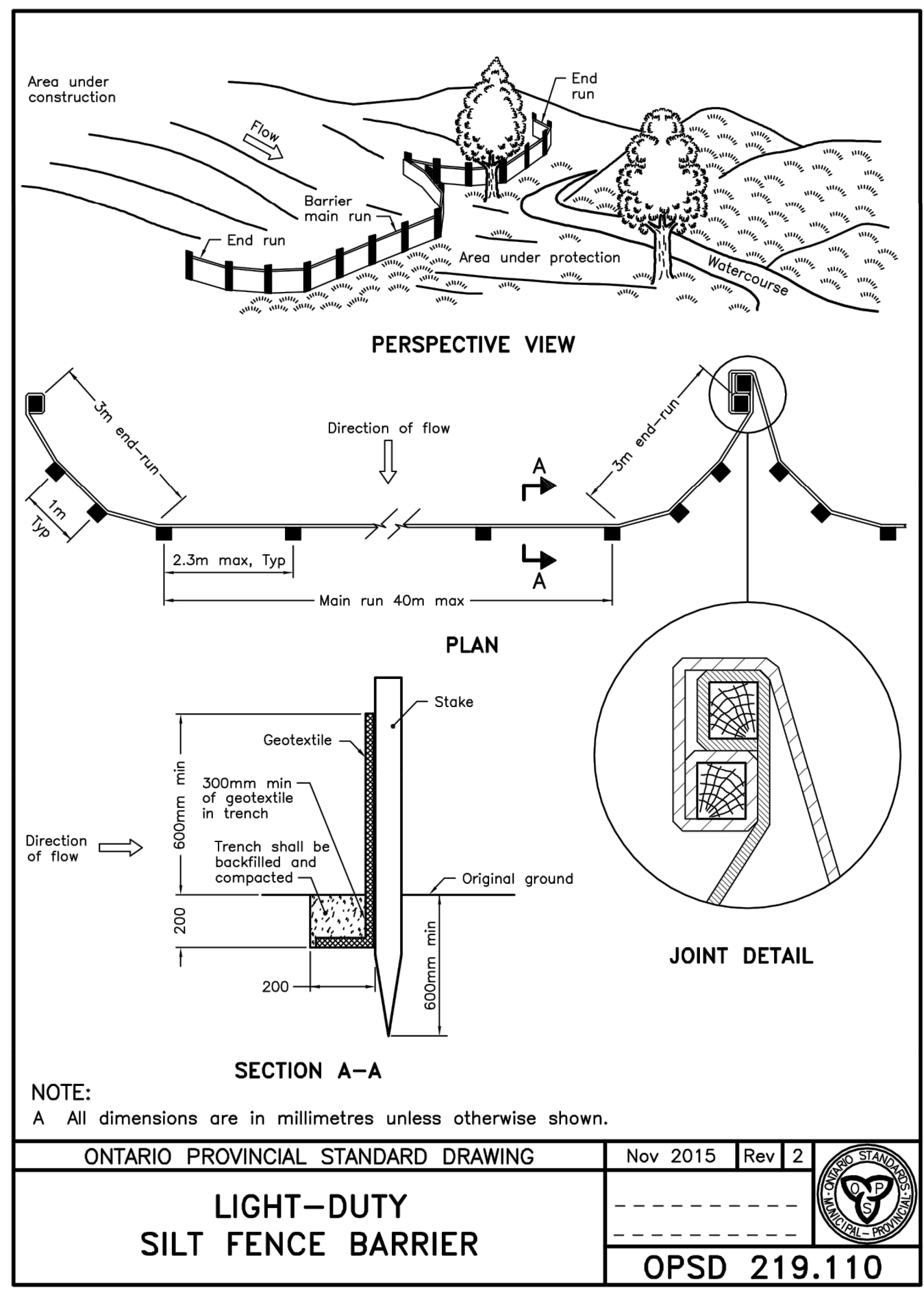
DRAWING TITLE:

DETAILS

DRAWN BY: D.CANN DRAWING NUMBER:
DATE: J.SAUVE
REVIEWED BY: J.SAUVE **C009**
APPROVED BY:
PRINT DATE: REVISION NUMBER:
ISSUED DATE: NOVEMBER 26, 2021
CLIENT PROJECT #: PROJECT #:

A001083

DO NOT SCALE THIS DRAWING. USE FIGURE DIMENSIONS ONLY. THE CONTRACTOR IS RESPONSIBLE FOR VERIFYING ALL DIMENSIONS AND NOTIFYING THE ARCHITECT OF ANY DISCREPANCIES BEFORE CONSTRUCTION COMMENCES. THIS DRAWING IS TO BE READ IN CONJUNCTION WITH ALL STRUCTURAL, MECHANICAL, ELECTRICAL, CIVIL AND OTHER CONSULTANT DRAWINGS. THIS DRAWING SHALL NOT BE USED FOR CONSTRUCTION PURPOSES UNLESS SIGNED BY THE ARCHITECT. COPYRIGHT RESERVED. ALL PARTS OF THIS DRAWING ARE THE EXCLUSIVE PROPERTY OF THE ARCHITECT AND SHALL NOT BE USED WITHOUT THE EXPRESSED PERMISSION FROM THE ARCHITECT.



- NOTES:
- CONCRETE CLASS: C-2;
 - WATER/BINDER MAX. RATIO: 0.45;
 - MINIMUM COMPRESSIVE STRENGTH AT 28 DAYS: 32 MPa;
 - GRANULARS MAXIMAL NOMINAL Ø: 20mm;
 - AIR CONTENT: 5% TO 8%;
 - SLUMP: 80mm ± 30mm FOR FIXE FORMWORK; 30mm ± 30mm FOR SLIDING FORMWORK;
 - CONTROL AND EXPANSION JOINTS AS PER DETAIL 109.

