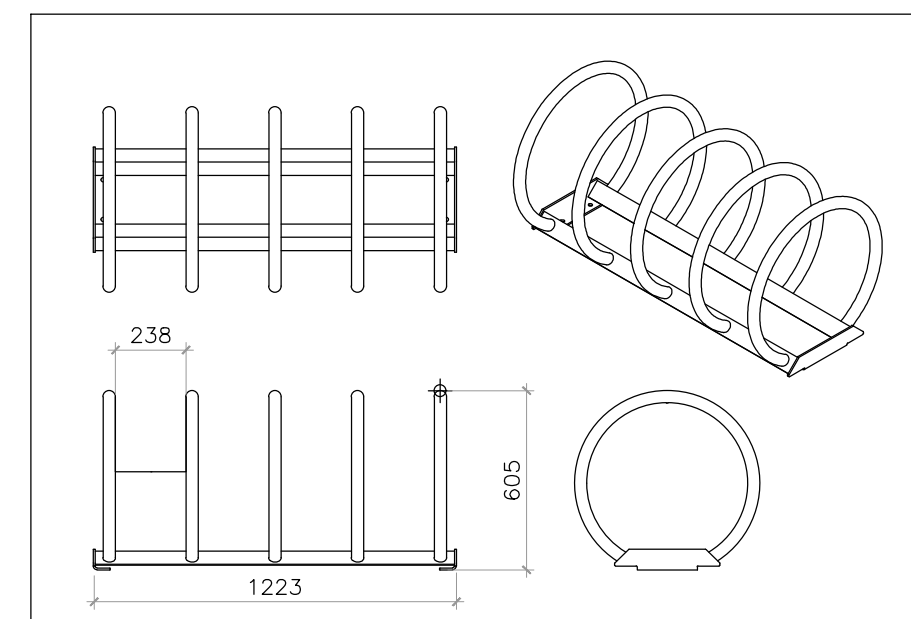


KEY PLAN

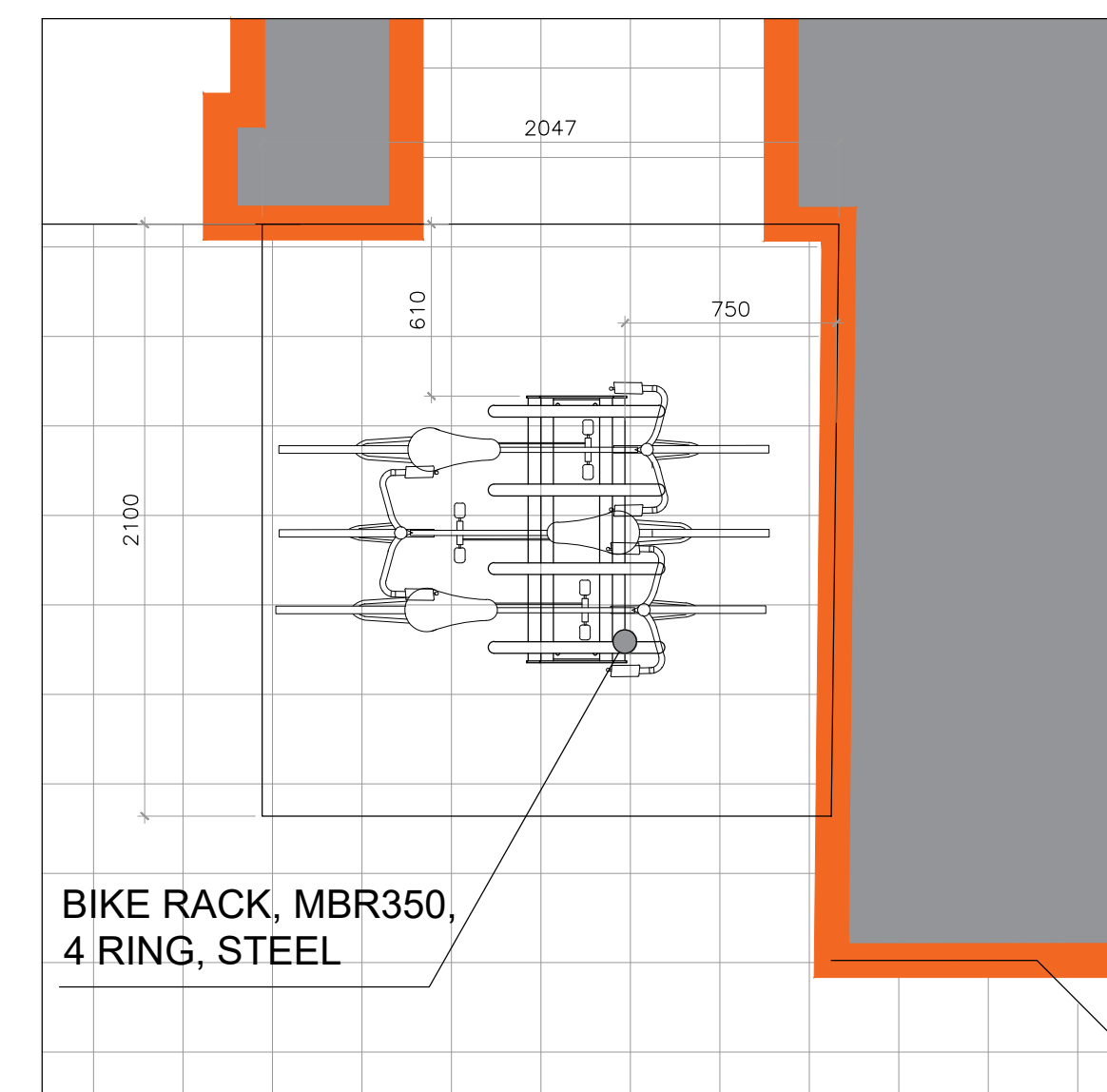
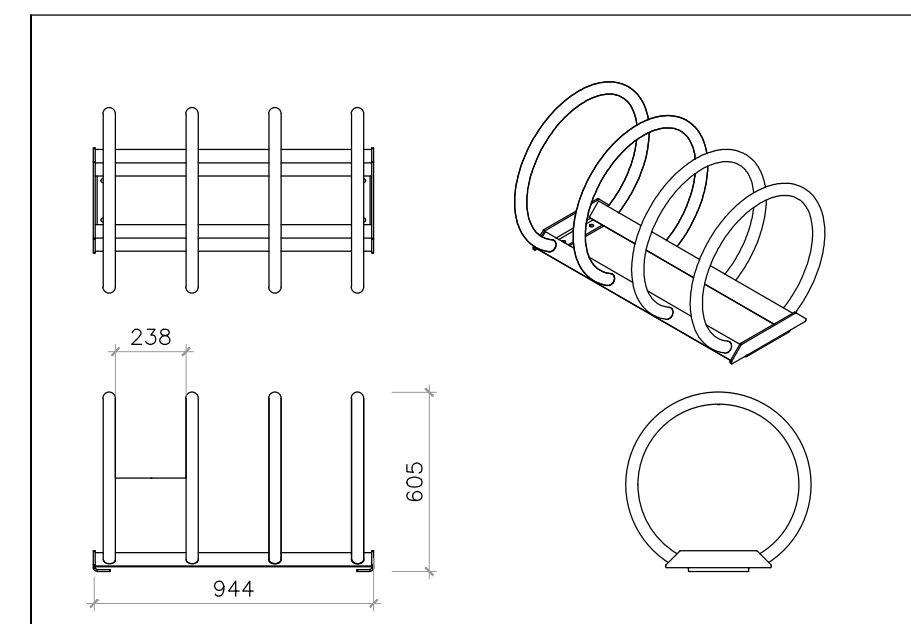


PROJECT

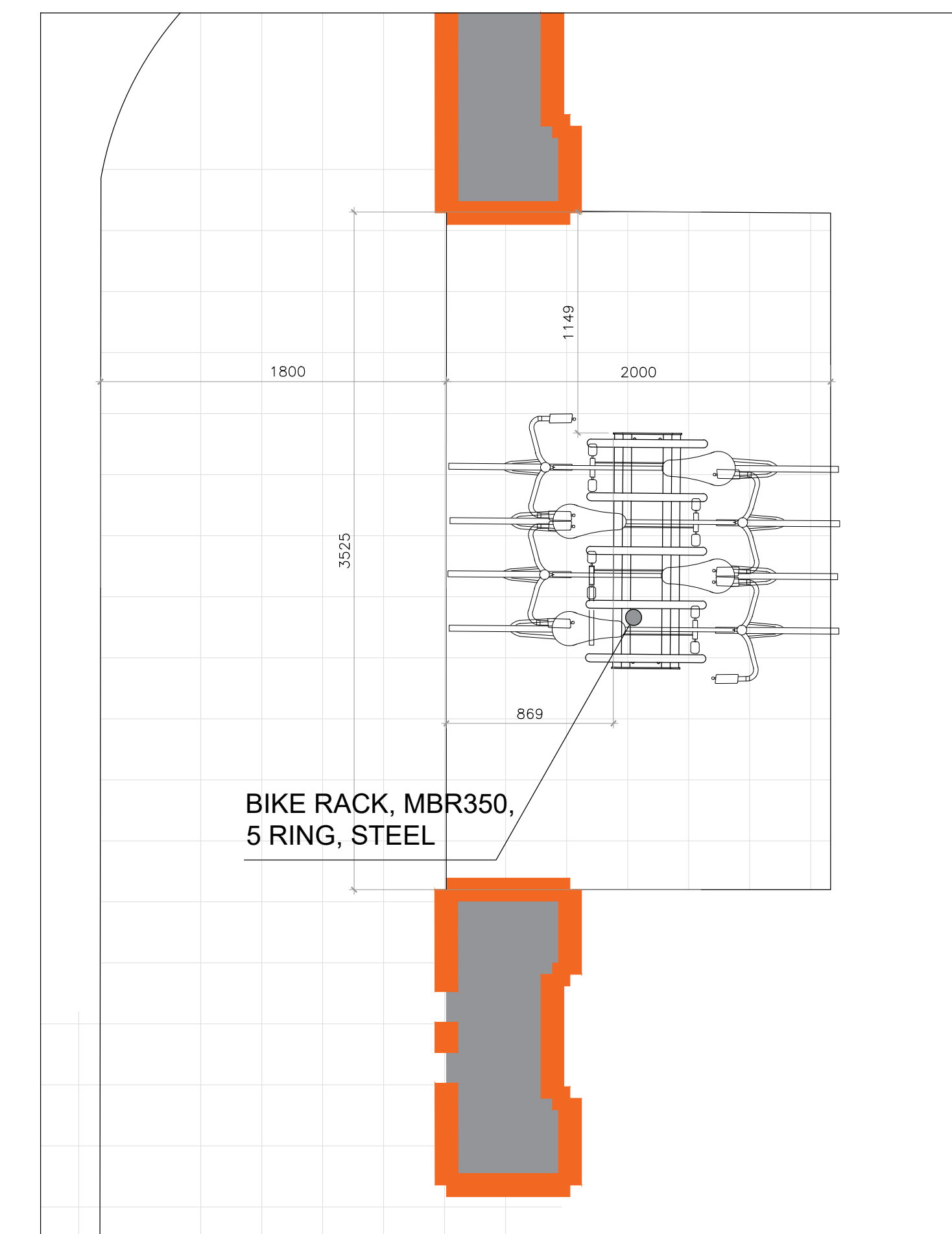
MAGLIN SITE FURNITURE INC.
BIKE RACK, MBR350, 5 RING, STEEL



MAGLIN SITE FURNITURE INC.
BIKE RACK, MBR350, 4 RING, STEEL



BIKE RACK, MBR350,
4 RING, STEEL

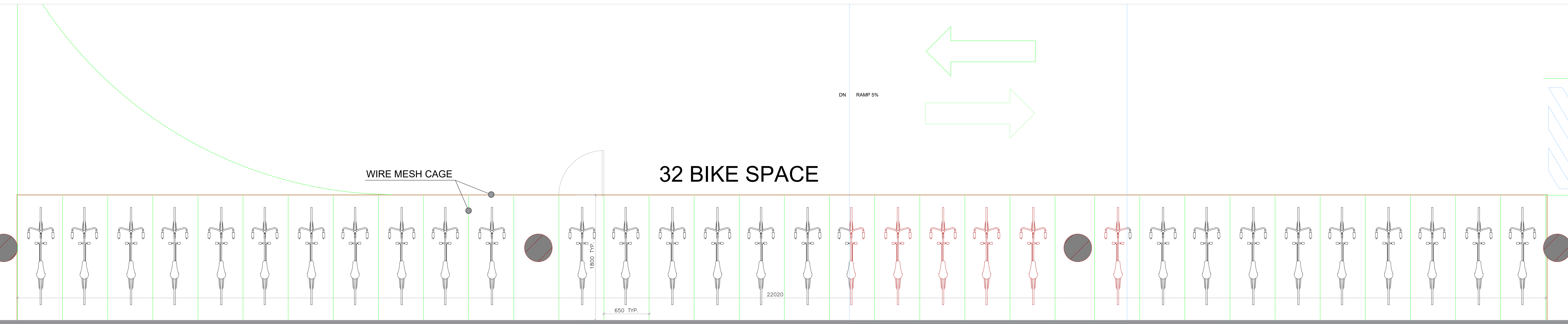


BIKE RACK, MBR350,
5 RING, STEEL

1
SP02 1:25
DETAIL 1 - BIKE RACK - SYSTEM

2
SP02 1:25
DETAIL 1 - EXTERIOR BIKE RAKE

3
SP02 1:25
DETIAL 2 - EXTERIOR BIKE RAKE



WIRE MESH CAGE

32 BIKE SPACE

DN RAMP 5%

4
SP02 1:25
PARKING LEVEL 1 - BIKES STORAGE

ALL CONTRACTORS TO VERIFY ALL DIMENSIONS ON SITE AND TO REPORT ALL ERRORS AND/OR OMISSIONS TO THE ARCHITECT.

ALL CONTRACTORS MUST COMPLY WITH ALL CODES AND BYLAWS AND OTHER AUTHORITIES HAVING JURISDICTION OVER THE WORK.

DO NOT SCALE DRAWINGS.

THIS DRAWING MAY NOT BE USED FOR CONSTRUCTION UNTIL SIGNED BY THE ARCHITECT.

COPYRIGHT RESERVED.

#	Description	Date
7	ISSUED FOR SITE PLAN APPROVAL	19/05/22
6	ISSUED FOR SITE PLAN APPROVAL	28/04/22
5	ISSUED FOR SITE PLAN APPROVAL	09/04/22
4	ISSUED FOR SITE PLAN APPROVAL	03/12/21
3	ISSUED FOR REVIEW	13/07/21
2	ISSUED FOR REVIEW	20/05/21
1	ISSUED FOR REVIEW	28/09/20

M MOMENTUM - PLANNING & COMMUNICATIONS
1145 GREENLAWN CRESCENT, OTTAWA, ON K2C 1Z4

WOODMAN ARCHITECT ASSOCIATES LTD.

4 BEECHWOOD, SUITE 201 OTTAWA, ONTARIO, CANADA K1L 8L9
TEL: 613 238 9800 • FAX: 613 238 9848 • mail@woodmanarchitect.com

CONSULTANTS:
STRUCTURAL - D+M STRUCTURAL LTD.
MECHANICAL - JAIN SUSTAINABILITY CONSULTANTS INC
CIVIL - WSP
ELECTRICAL - JAIN SUSTAINABILITY CONSULTANTS INC
LANDSCAPING - JAMES B. LENNOX & ASSOCIATES INC

CLIENT:
165177 CANADA INC
22 RUE TASCHEREAU - GATINEAU, QC J8Y 2V4

PROJECT:
BOUTIQUE HOTEL KING EDWARD
275 KING EDWARD - OTTAWA, ON K1N 7M2

DRAWING:
SITE PLAN - DETAILS

DATE: 24/09/2020 JOB NO: 1909
SCALE: 1:150 DRAWING NO:
DRAWN BY: JG
REVIEWED BY: RW **SP01**

107-12-21-10 028, 1072-02-21-00850