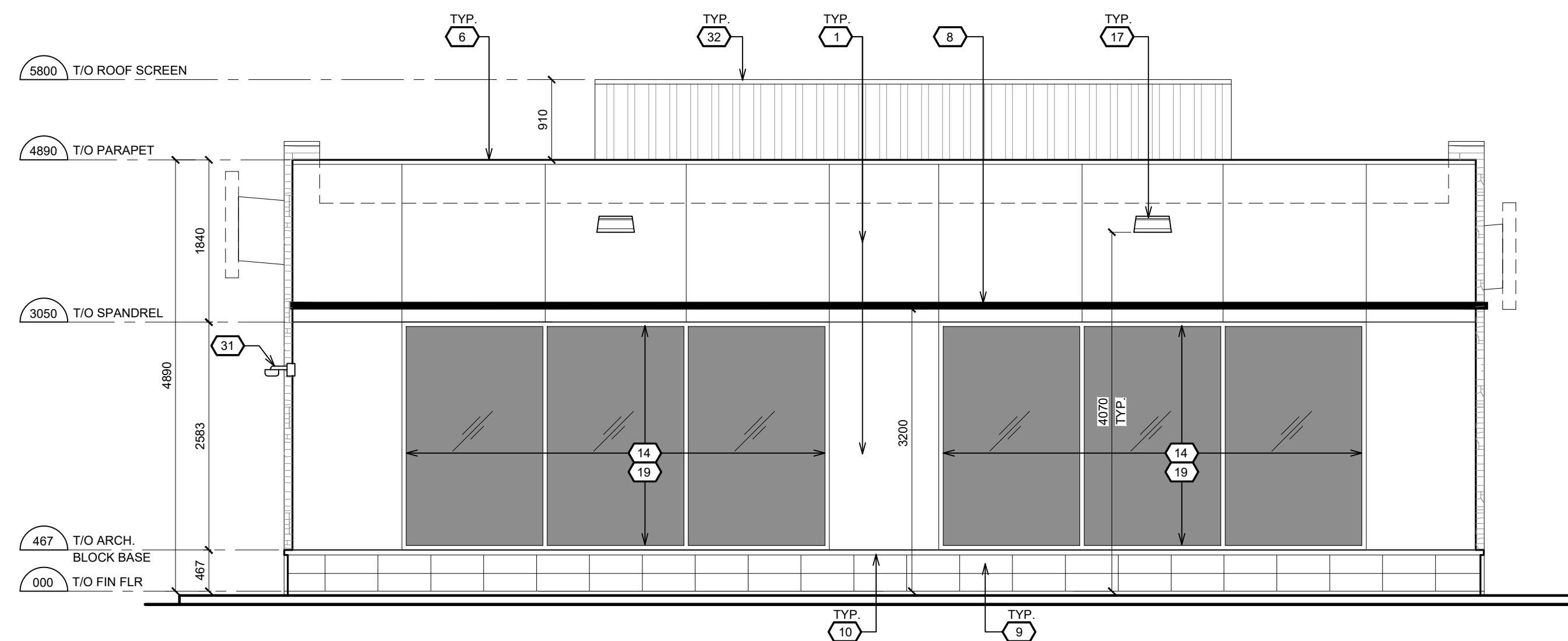




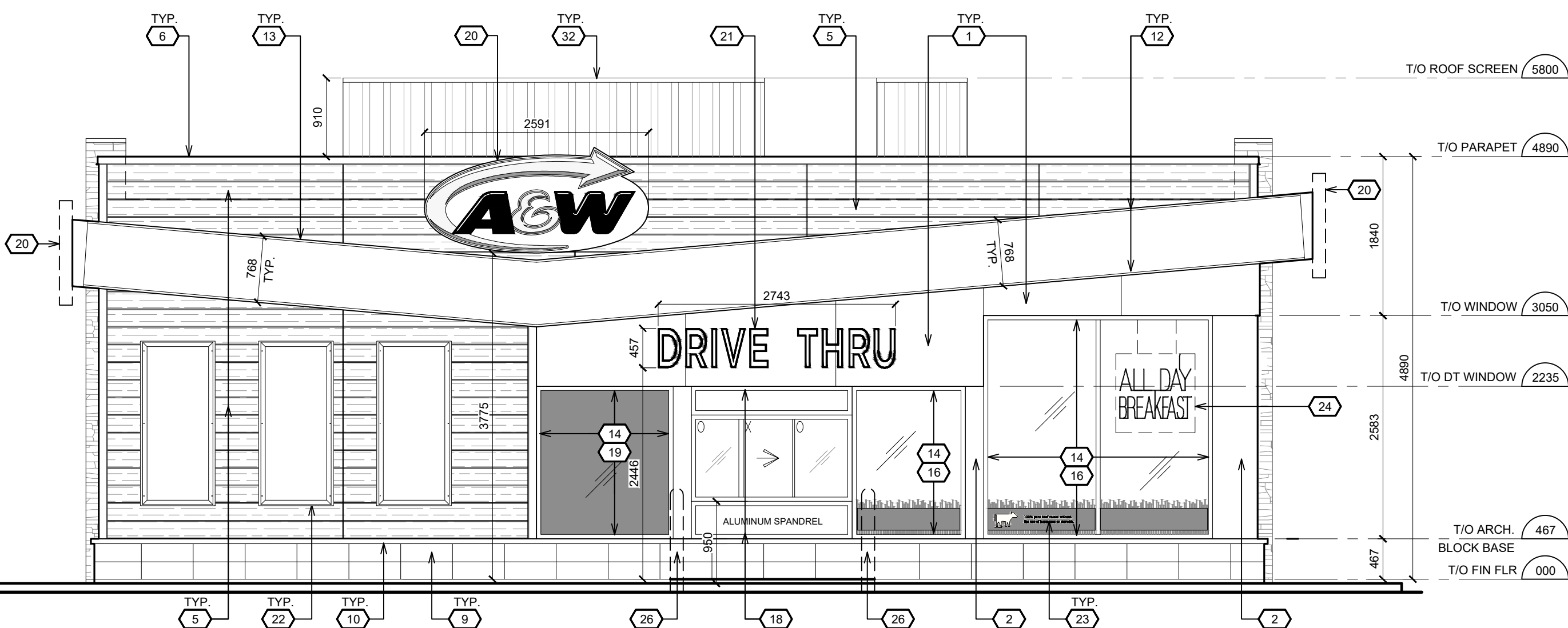
1 EAST ELEVATION



2 WEST ELEVATION



3 NORTH ELEVATION



4 SOUTH ELEVATION

NO.	PRODUCT	SPECIFICATION & COLOUR
1	ACM WALL PANEL SYSTEM	COLOUR : PCP WHITE
2	ALUMINUM COVER	COLOUR : CLEAR ANODIZED
3	METAL FLASHING (STONE WALL)	PAINT COLOUR : BENJAMIN MOORE HC-85 FAIRVIEW TAUPE
4	CULTURED STONE WALL FINISH	PRO-FIT ALPINE LEDGESTONE COL. PHEASANT 420117
5	PRE-FINISHED WOOD GRAIN	KNOTWOOD - KED150 COLOUR : ATLANTIC CEDAR (6" DECKING BOARD)
6	METAL FLASHING (PARAPET)	COLOUR TO MATCH : PCP WHITE
7	ILLUMINATED LED RED LEAF BAND	75mm CONTINUOUS ILLUMINATED LED RED LEAF BAND
8	NON-ILLUMINATED RED BAND	75mm CONTINUOUS NON-ILLUMINATED RED BAND
9	ARCHITECTURAL BLOCK BASE	SHOULDICE DESIGNER STONE TEXTURE : TEK-STONE COLOUR : GALAXY SIZE : 390mm x 90mm x 190mm H. STACKED APPLICATION
10	ARCHITECTURAL SILL CAP	SHOULDICE DESIGNER STONE 224 SLOPED SILL COLOUR : GALAXY
11	INTERNALLY ILLUMINATED SIGN (C-STORE)	
12	ILLUMINATED BOOMERANG LIGHT BOX	COLOUR : A&W ORANGE
13	FLASHING (A&W BOOMERANG)	COLOUR TO MATCH : A&W ORANGE
14	ALUMINUM WINDOW FRAMING	COLOUR : CLEAR ANODIZED
15	ALUMINUM DOOR LEAF FRAME	COLOUR : BLACK ANODIZED
16	THERMAL PANE GLASS	DOUBLE GLAZED
17	EXTERIOR LIGHT FIXTURE	LED FIXTURE, FIXTURE COLOUR: BLACK
18	DRIVE-THRU WINDOW (A&W)	COLOUR : CLEAR ANODIZED
19	SPANDREL GLASS PANEL	PPG EXTRUSION COATINGS: DURANAR COATINGS - UC43352 COLONIAL GRAY
20	ILLUMINATED A&W LOGO SIGN	
21	NON ILLUMINATED A&W LETTER SIGN	
22	A&W POSTER SNAP FRAME	SURFACE MOUNTED
23	A&W VINYL GRAPHIC	GLAZING APPLICATION
24	A&W 'DRIVE-THRU / BREAKFAST OPEN' ILLUMINATED SIGN	INTERIOR SUSPENDED
25	ILLUMINATED PETRO-POINTS SIGN	INTERIOR SUSPENDED
26	CONC. FILLED BOLLARD	COLOUR : A&W ORANGE
27	INSULATED PANEL	COLOUR : CLEAR ANODIZED
28	SECURITY DRAWER	COLOUR : SILVER ALUMINUM
31	PASS-THRU 360 CAMERA	
32	METAL CLAD ROOF SCREEN	COLOUR : WHITE TO MATCH (1)

5 EXTERIOR FINISH SCHEDULE

REVISION TABLE		
REV.	DESCRIPTION	DRAWN / APP'D. DATE

ISSUE TABLE		
TO	FOR	DATE
OWNER	ISSUED FOR REVIEW	20 NOV 20

METRIC
ALL DIMENSIONS ARE IN MILLIMETRES U.N.O. CONTRACTOR TO CHECK/VERIFY ALL DIMENSIONS PRIOR TO COMMENCEMENT OF WORK. ALL DISCREPANCIES TO BE REPORTED TO THE PROJECT DESIGNER. DO NOT SCALE DRAWINGS.

CONSULTANT:
K. PAUL ARCHITECT INC.
TORONTO - VANCOUVER - ORLANDO
2660 Sherwood Heights Dr. Suite 200, Oakville, Ontario, L6J 7Y8
www.kpaularchitect.com
(905)337-9800 fax (905)337-1986



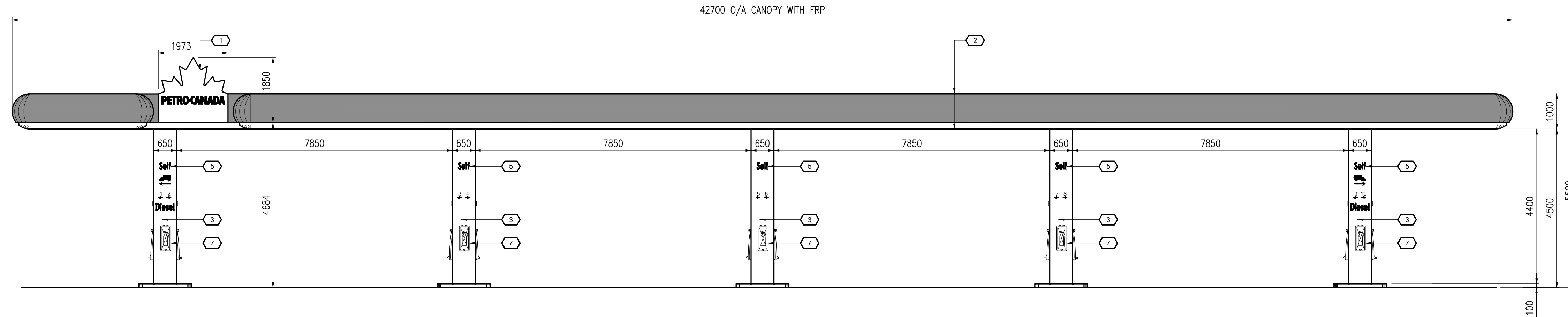
DRAWING TITLE:
C-STORE
EXTERIOR ELEVATIONS

PROJECT:
NEIGHBOURS N3000AW
8605 CAMPEAU DRIVE
OTTAWA, ONTARIO

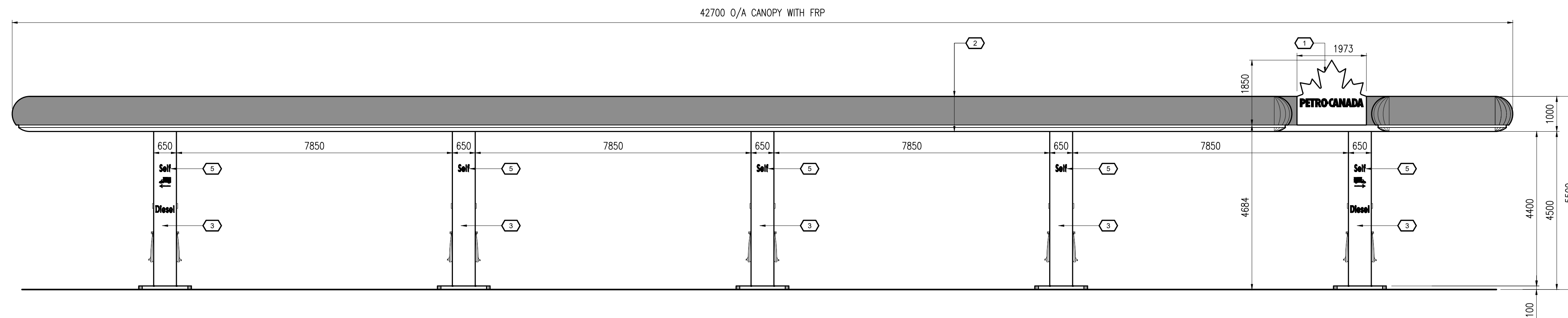
DRAWN BY: CL
DRAWING SCALE: AS NOTED
DATE DRAWN: NOV 2020
CHECKED BY:
APPROVED BY:

CAD INFO:
SHEET SIZE: D (559 x 864)
PETRO-CANADA
CAD FILE No.
CONSULTANT
CAD FILE No.
PLOT SCALE
PLOT DATE
PLOT CONFIGURATION

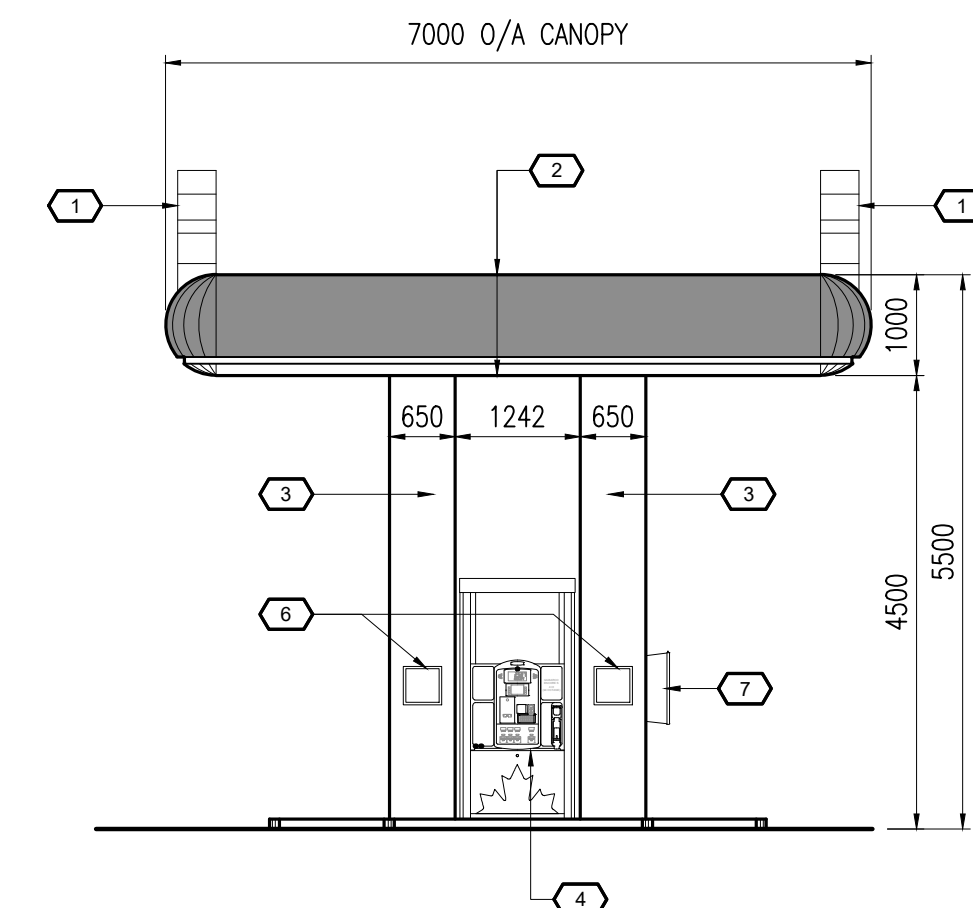
STD No./OUTLET No.
10565 A2



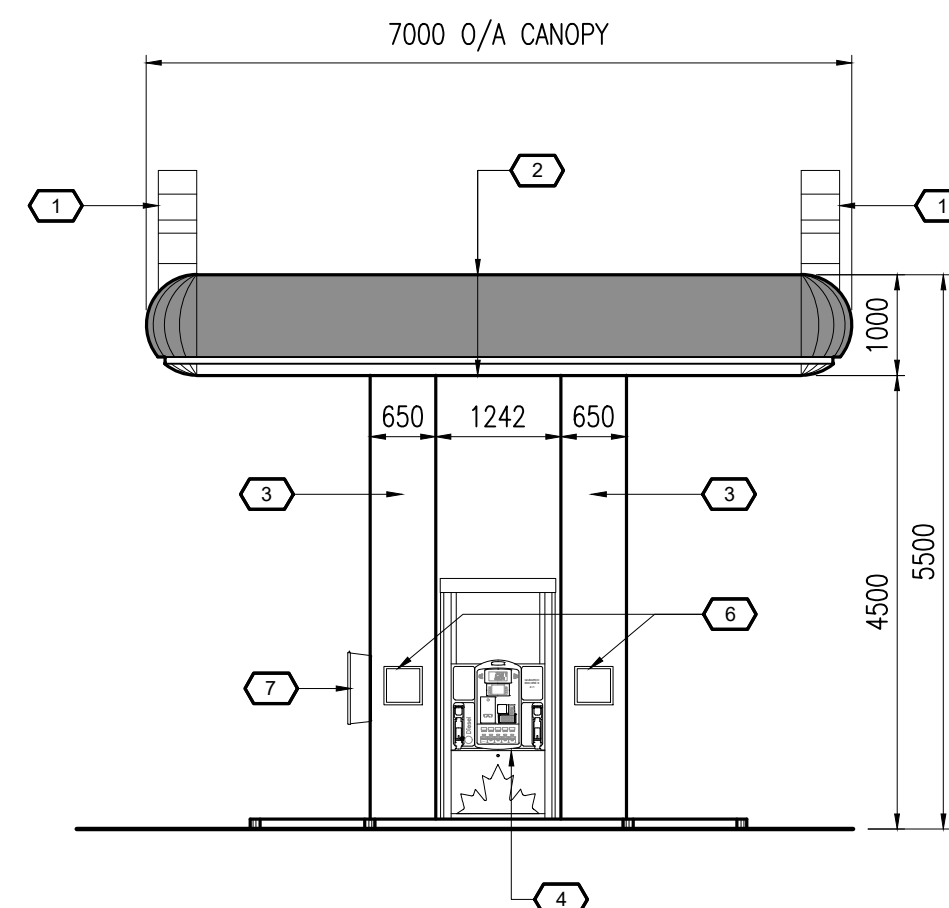
1 WEST ELEVATION



2 EAST ELEVATION



3 NORTH ELEVATION



4 SOUTH ELEVATION

NO.	PRODUCT	SPECIFICATION & COLOUR
1	ILLUMINATED SIGNAGE	SUPPLIED BY TRANSWORLD
2	FIBRE REINFORCED PLASTIC	1000mm HALF ROUND FRP WITH INTEGRAL REVEAL GLOSS RED ABOVE REVEAL AND GLOSS WHITE BELOW C/W RED LED LIGHT STRIP IN REVEAL
3	ALUMINUM COMPOSITE METAL PANEL	COLOUR: PCP WHITE
4	GAS DISPENSER UNIT	
5	PIN LETTER / GRAPHIC	COLOUR: MATTE BLACK
6	SNAP FRAME UNITS	
7	FIRE EXTINGUISHER	1 PER CHANNEL

5 FINISH SCHEDULE
SCALE: N.T.S.

REV.	DESCRIPTION	DRAWN / APP'D.	DATE

TO	FOR	DATE
OWNER	ISSUED FOR REVIEW	20 NOV 20

METRIC
ALL DIMENSIONS ARE IN MILLIMETRES U.N.O. CONTRACTOR TO CHECK/VERIFY ALL DIMENSIONS PRIOR TO COMMENCEMENT OF WORK. ALL DISCREPANCIES TO BE REPORTED TO THE PROJECT DESIGNER. DO NOT SCALE DRAWINGS.

SEAL:

CONSULTANT:
K PAUL ARCHITECT INC.
TORONTO • VANCOUVER • ORLANDO
2660 Sherwood Heights Dr. Suite 200, Oakville, Ontario, L6J 7Y8
www.kpaularchitect.com
(905)337-9800 fax (905)337-1986



DRAWING TITLE:
GAS BAR CANOPY ELEVATIONS

PROJECT:
NEIGHBOURS N3000AW
8605 CAMPEAU DRIVE
OTTAWA, ONTARIO

DRAWN BY: CL
DRAWING SCALE: 1:75
DATE DRAWN: NOV 2020
CHECKED BY:
APPROVED BY:

CAD. INFO.:
SHEET SIZE: D (559 x 864)
PETRO-CANADA
CAD FILE No.
CONSULTANT
CAD FILE No.
PLOT SCALE
PLOT DATE
PLOT CONFIGURATION

STD No./OUTLET No.
10565

A3