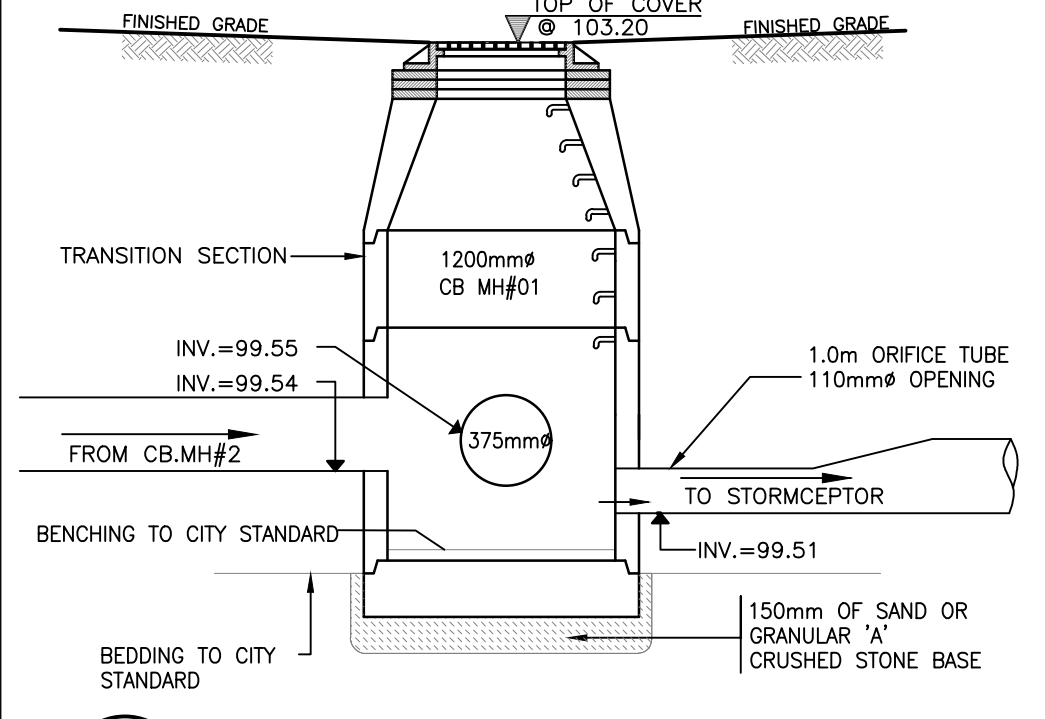
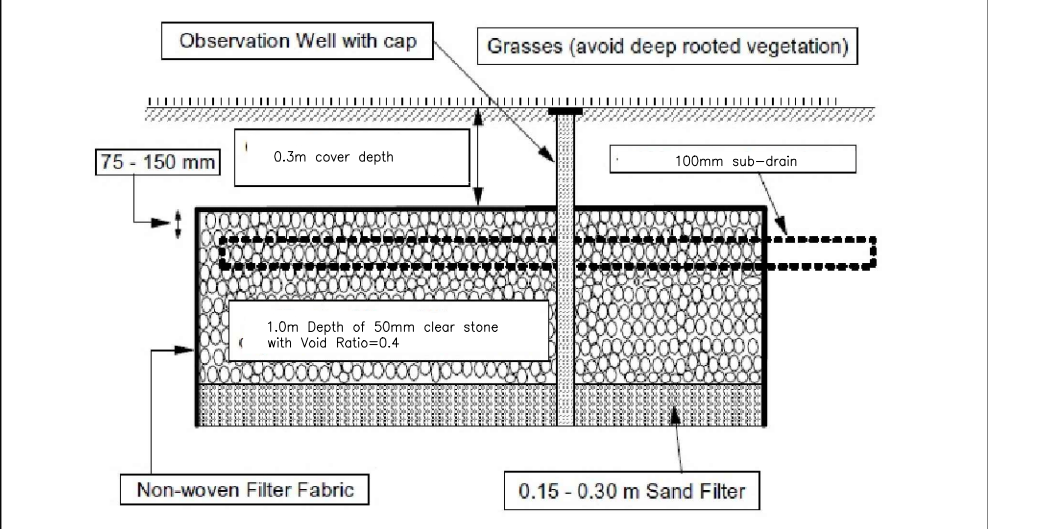


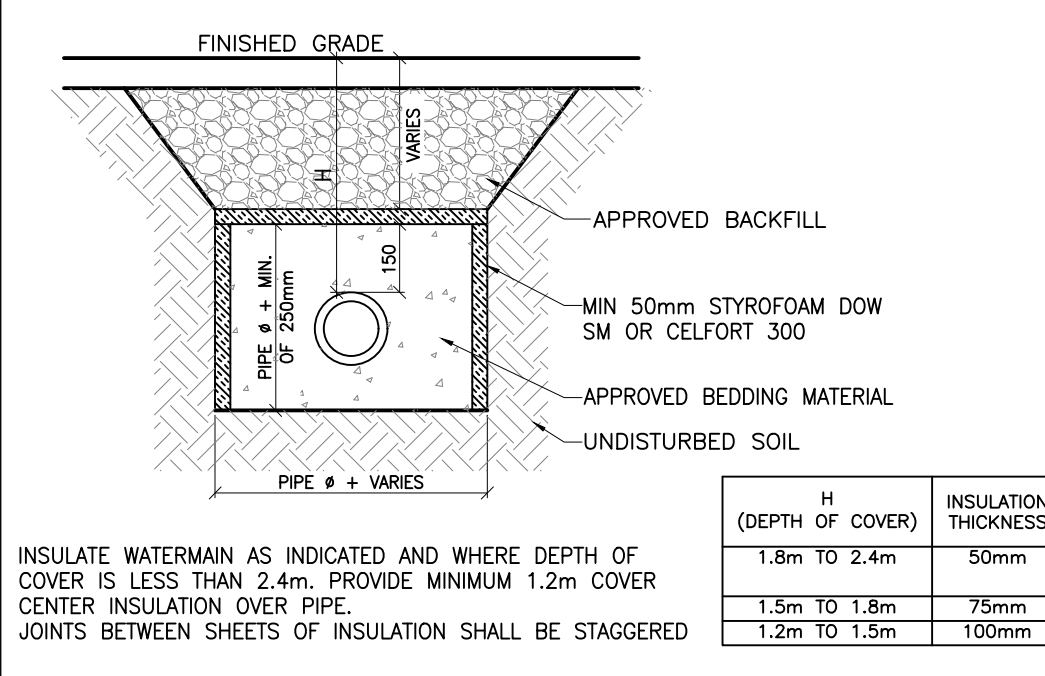
**1 PIPE BEDDING DETAIL**  
SCALE: NTS



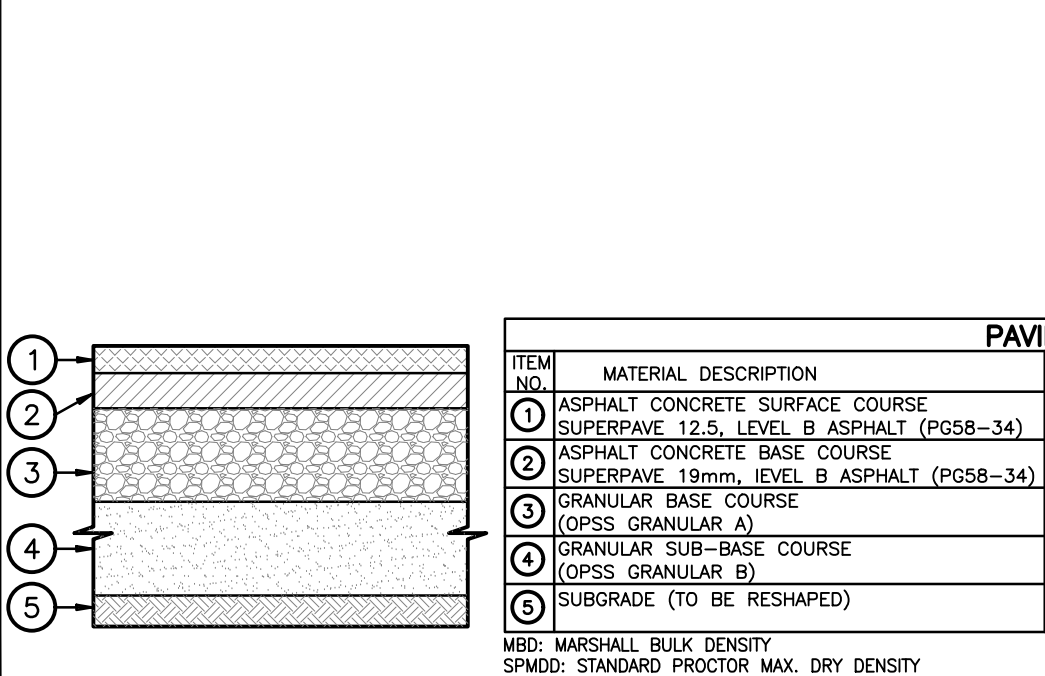
**2 ORIFICE TUBE DETAIL CB.MH#01**  
SCALE: N.T.S.



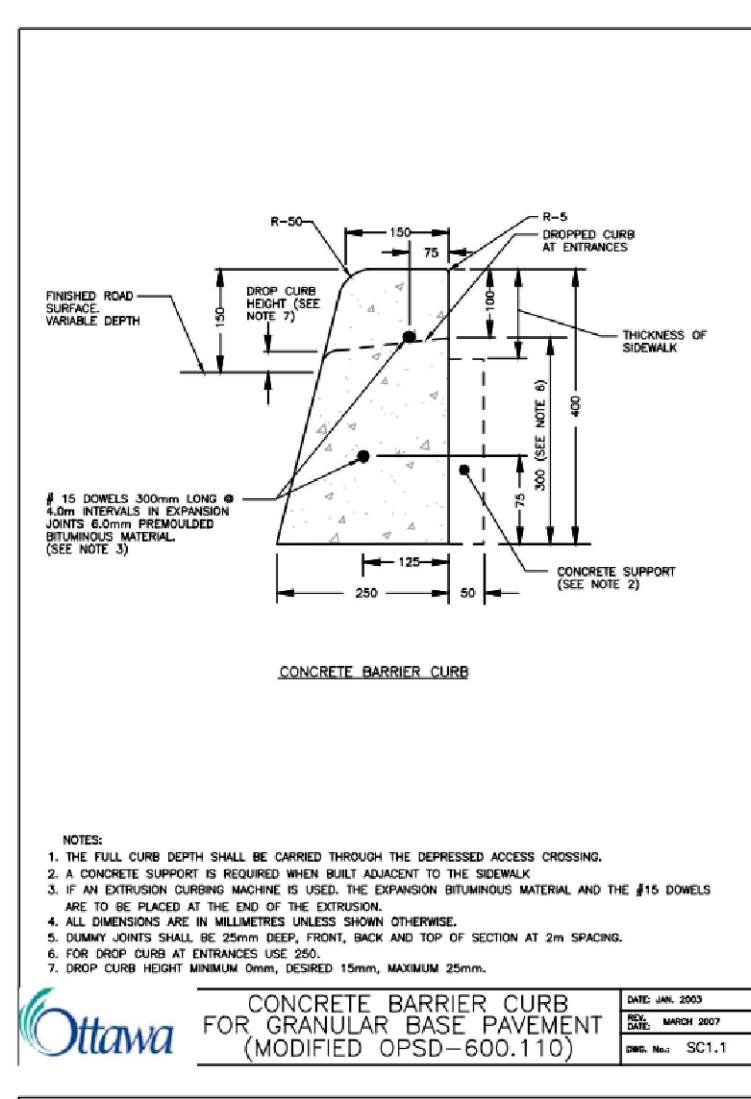
**3 TYP. INFILTRATION TRENCH**  
SCALE: NTS



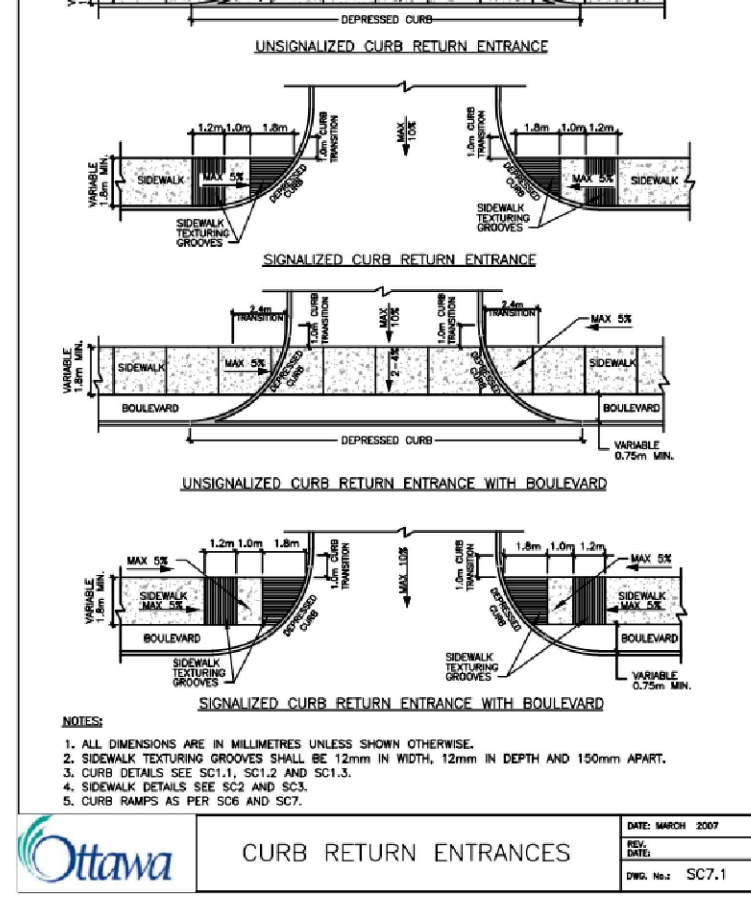
**4 WATERMAIN INSULATION**  
SCALE: NTS



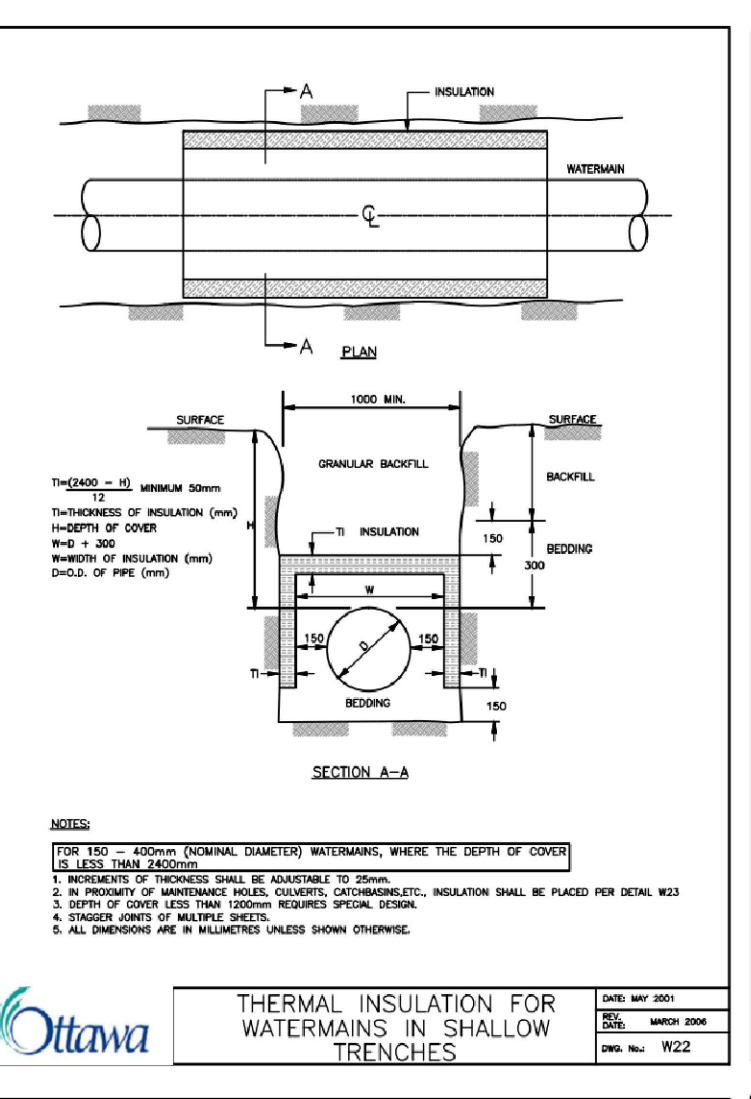
**5 TYP. SECTION THROUGH PAVEMENT**  
SCALE: NTS



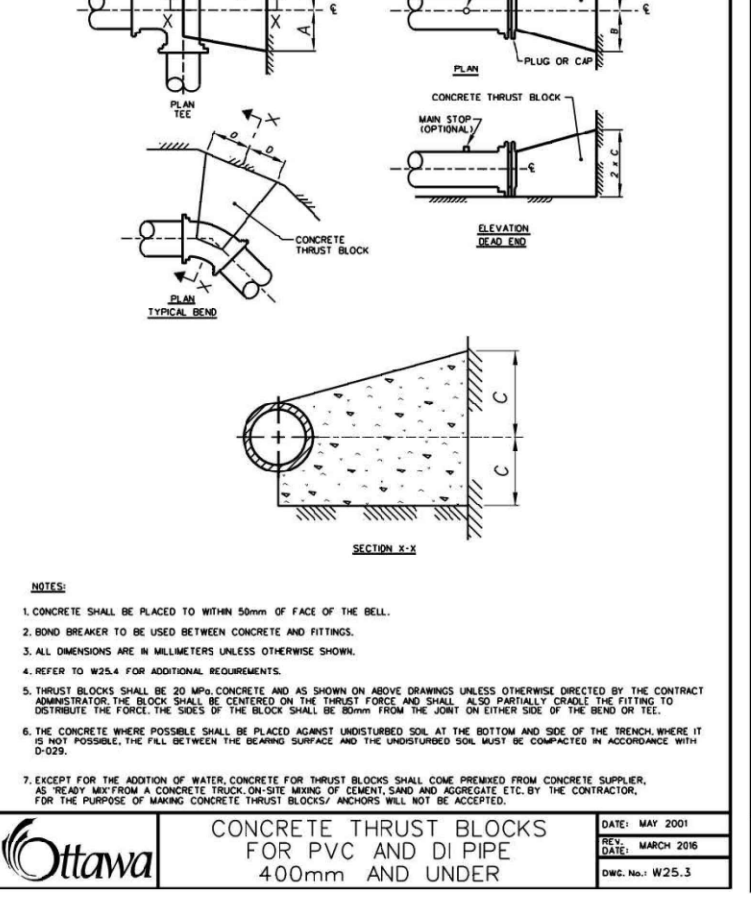
**CONCRETE BARRIER CURB FOR GRANULAR BASE PAVEMENT (MODIFIED OPSD-600.110)**  
SCALE: NTS



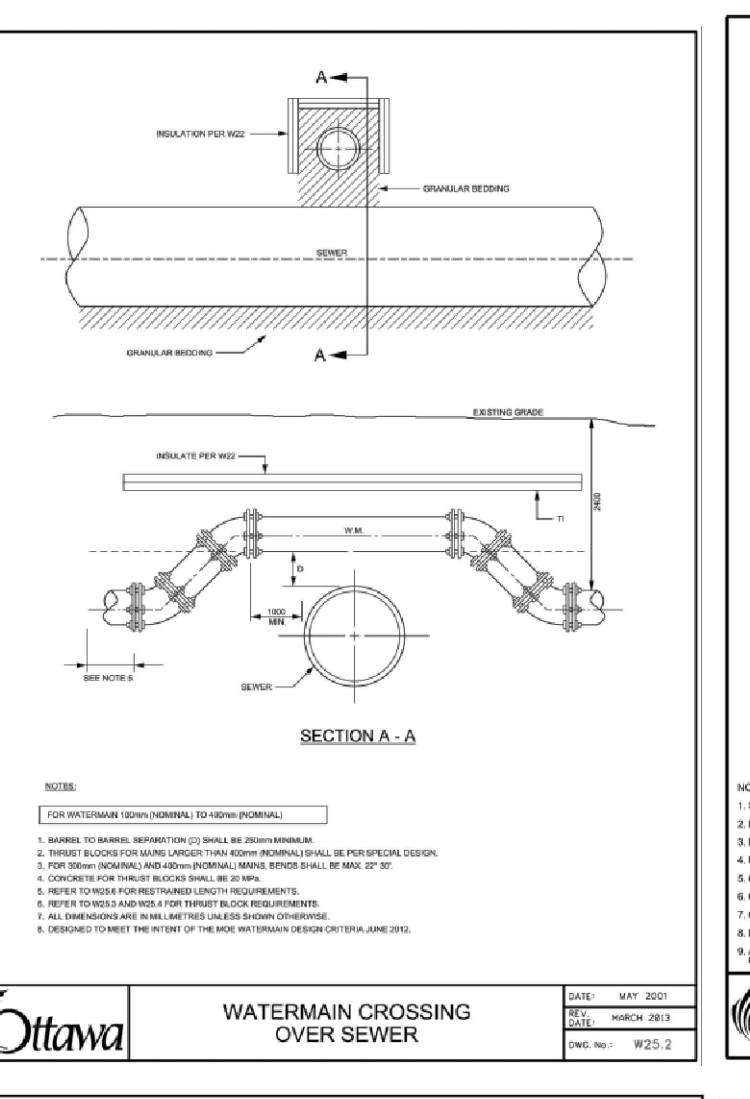
**CURB RETURN ENTRANCES**  
SCALE: NTS



**THERMAL INSULATION FOR WATERMAINS IN SHALLOW TRENCHES**  
SCALE: NTS



**CONCRETE THRUST BLOCKS FOR PVC AND DI PIPE 400mm AND UNDER**  
SCALE: NTS

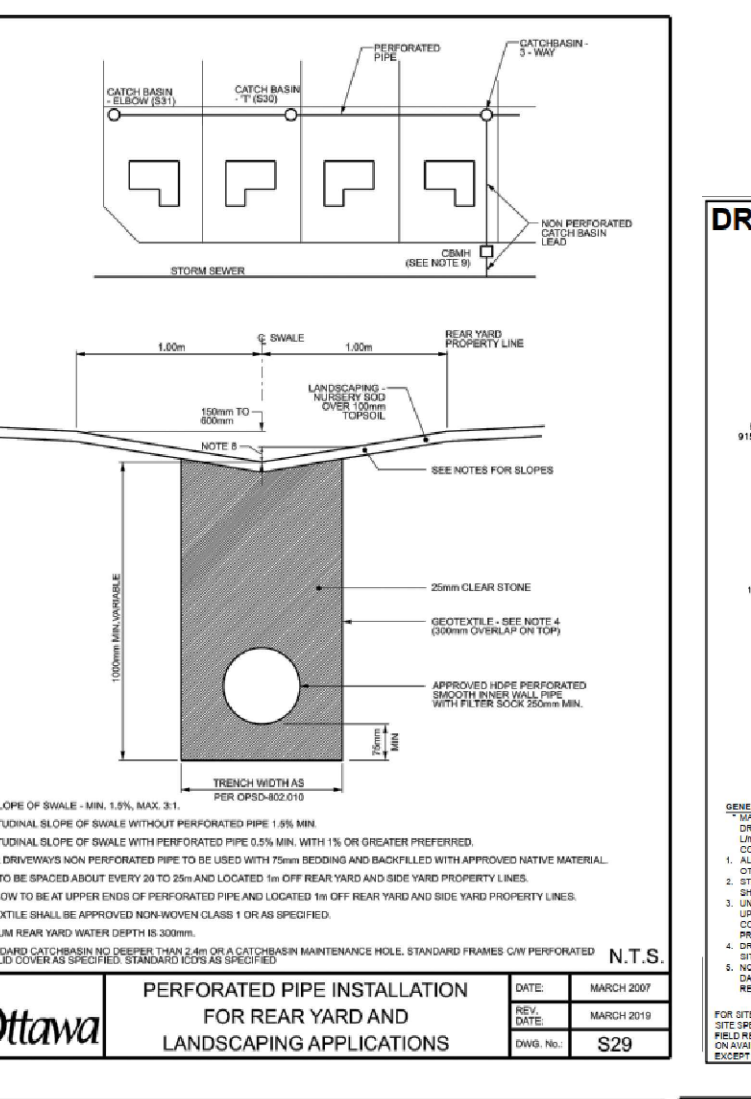


**WATERMAIN CROSSING OVER SEWER**  
SCALE: NTS

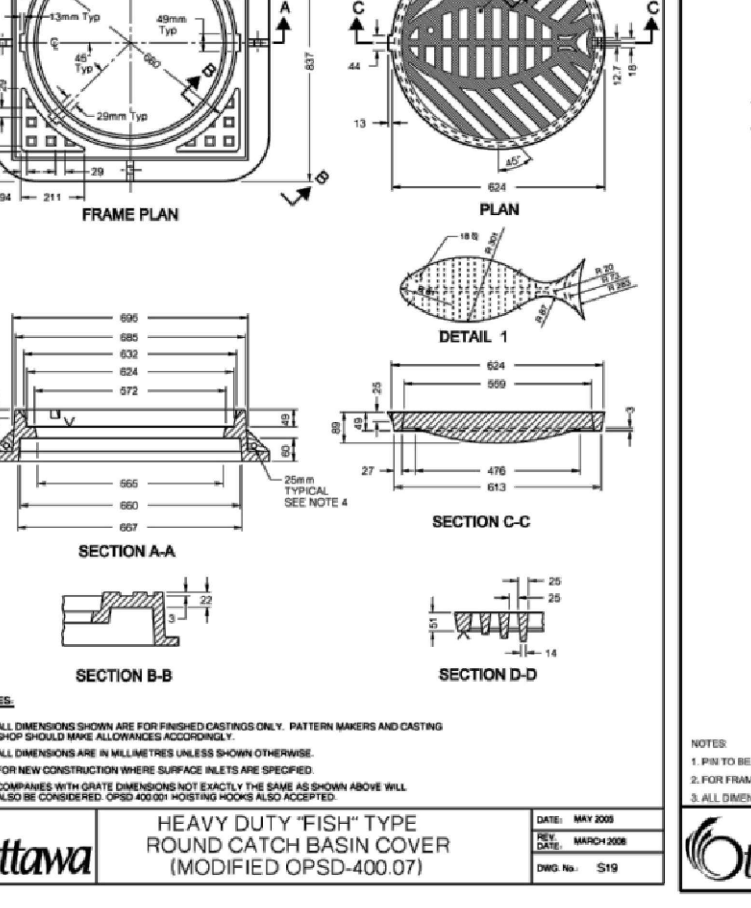
**THRUST BLOCK DIMENSION TABLES FOR PVC AND DI PIPE 400mm AND UNDER**

DIAMETER	DIMENSION NOTED ON WELLS			
	A	B	C	D
100	200	200	200	200
150	400	400	200	300
200	500	500	300	400
254	500	500	400	500
305	800	800	400	600
406	1000	1000	600	800

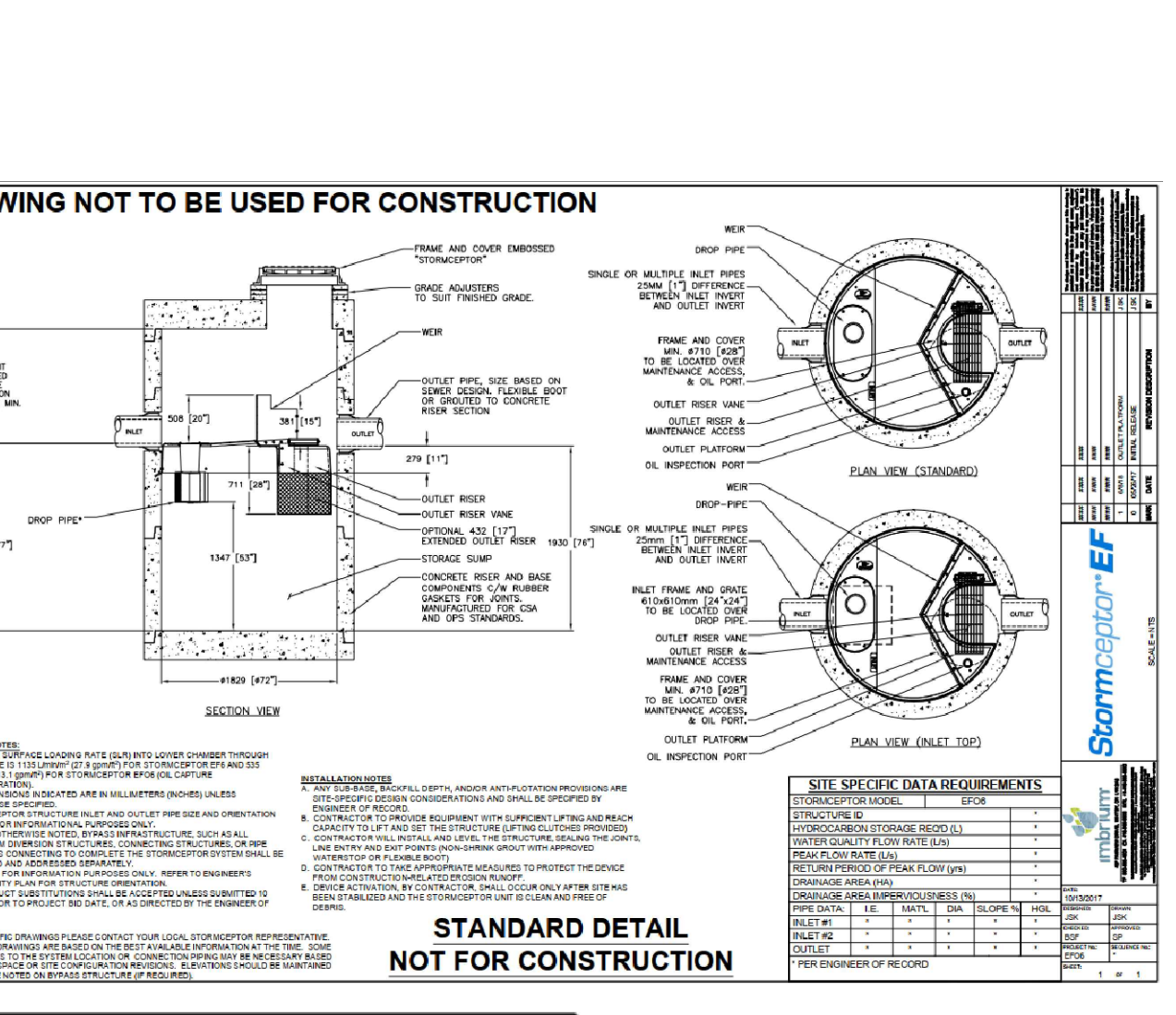
**THRUST BLOCK DIMENSION TABLES FOR PVC AND DI PIPE 400mm AND UNDER**  
SCALE: NTS



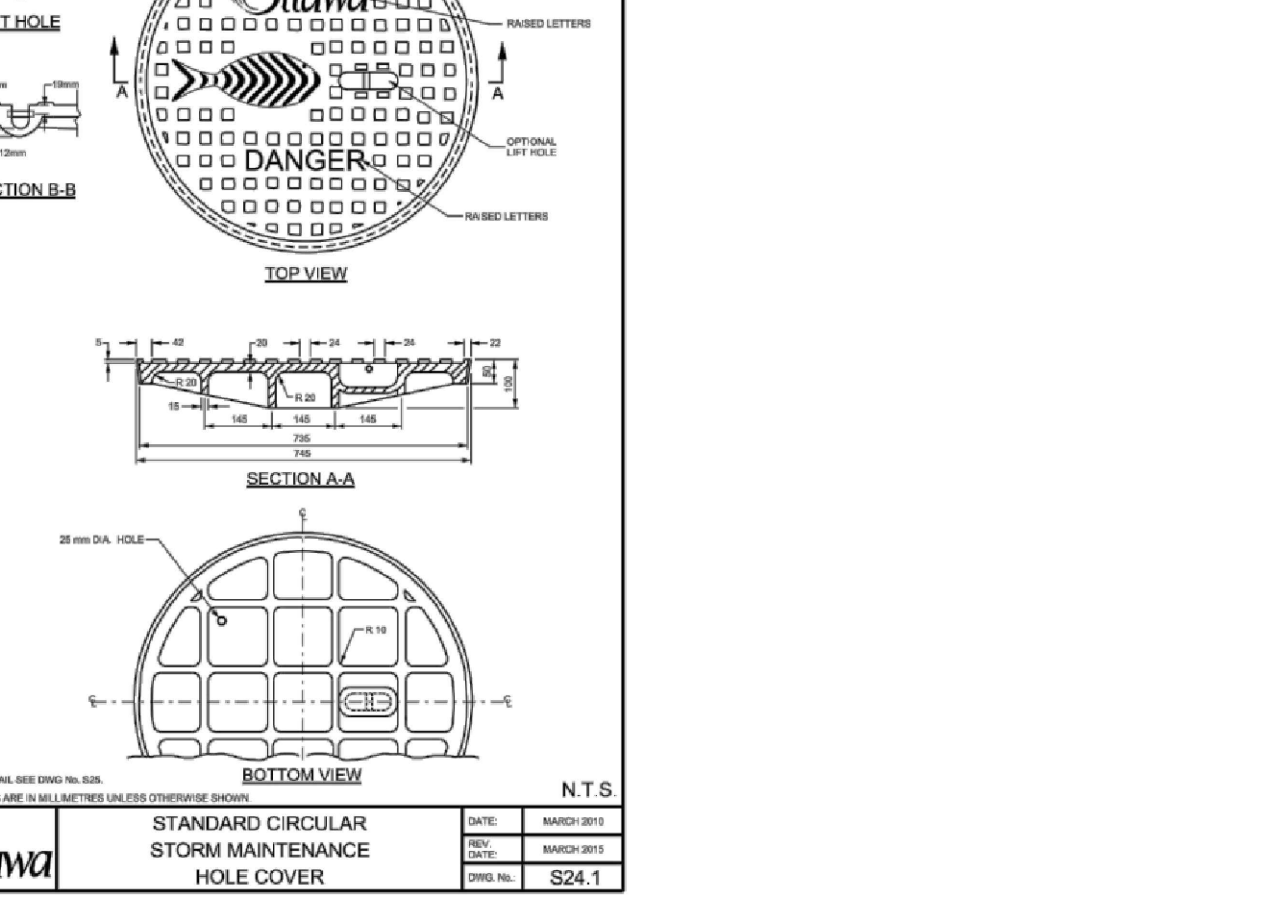
**PERFORATED PIPE INSTALLATION FOR REAR YARD AND LANDSCAPING APPLICATIONS**  
SCALE: NTS



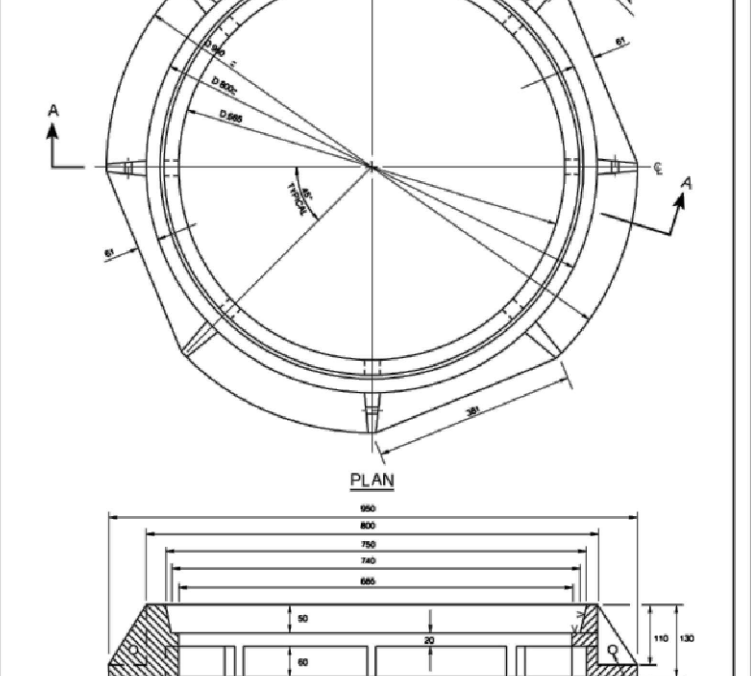
**HEAVY DUTY 'FISH' TYPE ROUND CATCH BASIN COVER (MODIFIED OPSD-400.07)**  
SCALE: NTS



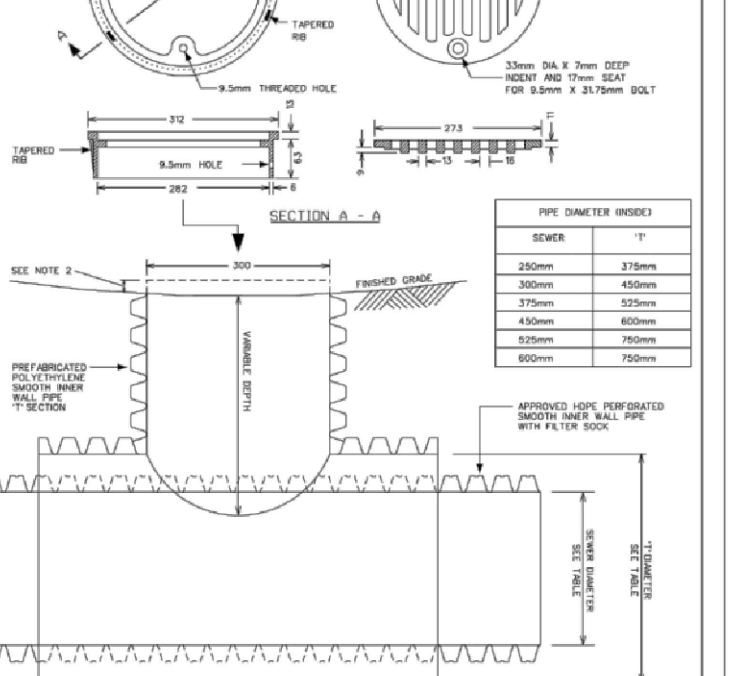
**STANDARD DETAIL NOT FOR CONSTRUCTION**  
SCALE: NTS



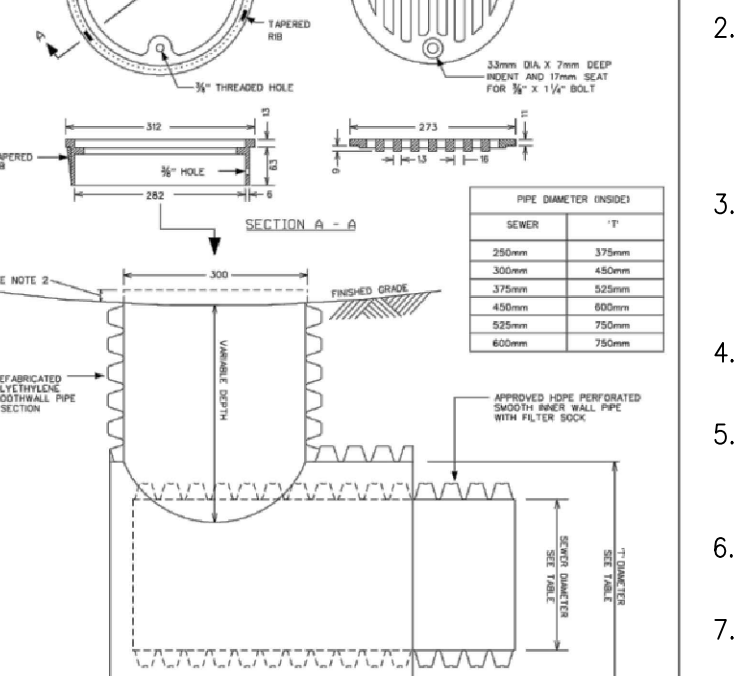
**STANDARD CIRCULAR STORM MAINTENANCE HOLE COVER**  
SCALE: NTS



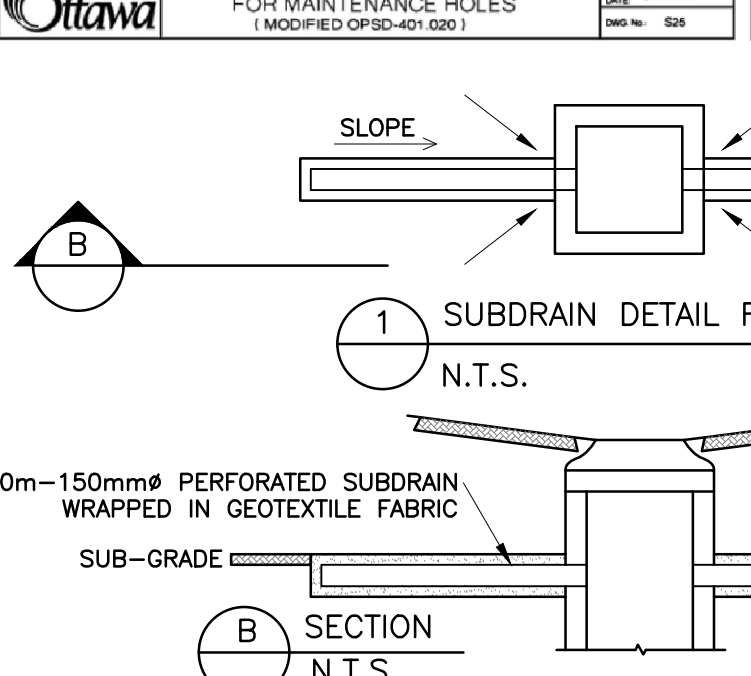
**STANDARD CIRCULAR FRAME FOR MAINTENANCE HOLES (MODIFIED OPSD-401.020)**  
SCALE: NTS



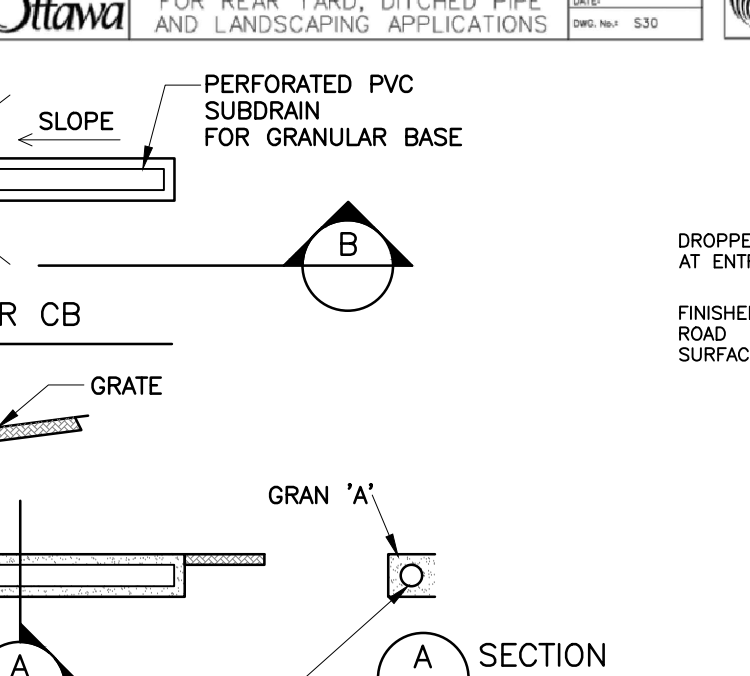
**CATCH BASIN - 'T' FOR REAR YARD, DITCHED PIPE AND LANDSCAPING APPLICATIONS**  
SCALE: NTS



**CATCH BASIN - ELBOW FOR REAR YARD, DITCHED PIPE AND LANDSCAPING APPLICATIONS**  
SCALE: NTS



**SUBDRAIN DETAIL**  
SCALE: NTS



**TYP. CURB SECTION**  
SCALE: NTS

**GRADING AND SERVICES NOTES**

- ALL DIMENSIONS AND ELEVATIONS ARE METRIC, UNLESS NOTED OTHERWISE.
- ALL DIMENSIONS AND DESIGN ELEVATIONS MUST BE VERIFIED BY THE CONTRACTOR PRIOR TO CONSTRUCTION. ANY DISCREPANCIES MUST BE BROUGHT TO THE ATTENTION OF THE DESIGN ENGINEER OR ARCHITECT WHERE APPLICABLE.
- THE CONTRACTOR SHALL RESTORE TO ORIGINAL OR BETTER CONDITION FOR ANY EXISTING CONDITION DISTURBED DURING THE CONSTRUCTION AT CONTRACTOR'S EXPENSE.
- CONTROL MANHOLES ARE TO BE BENCH TO THE INVERTS.
- LANDSCAPING SHALL NOT ENCRUSH ON BOULEVARD NOR SHALL BOULEVARD GRADES BE ALTERED.
- STANDARD DRAWINGS OF THE CITY CONSTITUTE PART OF THE PLANS OF THE CONTRACT.
- ANY CONFLICT WITH EXISTING SERVICES SHALL BE RECTIFIED AS PER CITY'S REQUIREMENTS.
- MINIMUM VERTICAL AND HORIZONTAL SEPARATION BETWEEN THE INVERTS OF THE SEWER AND A CROWN OF A WATER MAIN SHALL COMPLY WITH THE MUNICIPAL AND LOCAL BY-LAWS AT ALL CROSSINGS.
- CONSTRUCT PAVEMENT AS SPECIFIED. SEE PAVEMENT STRUCTURE DETAILS 1/P-304.
- ALL CONCRETE CURBS FROM EXISTING ROAD CURB TO STREET LINE SHALL BE BARRIER CURB TO CITY STANDARDS. ALL CONCRETE CURB HEIGHTS SHALL BE 150mm ABOVE FINISHED GRADE (A.F.G.) UNLESS OTHERWISE NOTED. DRIVEWAY CURBS ARE TO BE DISCONTINUOUS AT SIDEWALKS AND TAPERED BACK MINIMUM OF 300mm OR TO THE APPROVAL OF DESIGN ENGINEER.
- ALL REQUIRED CURB CUTTING AT ENTRANCES AND CURB DEPRESSIONS AT SIDEWALK CROSSINGS SHALL BE INSTALLED TO THE APPROVAL OF THE DESIGN ENGINEER.

**ISSUE TABLE**

TO	FOR	DATE
CITY	RE-ISSUED FOR SPA	15 JUN 23

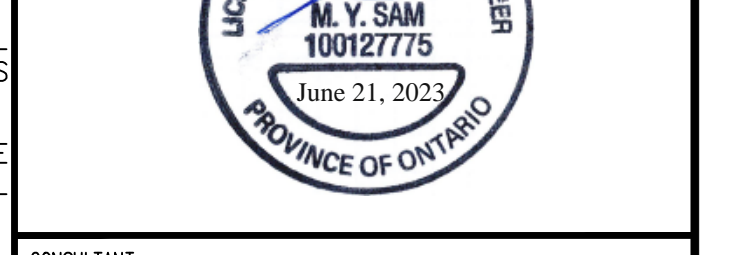
**REVISION TABLE**

REV.	DESCRIPTION	DRAWN	APP'D.	DATE
0	REVISED AS PER CITY COMMENTS	MJ	JS	24 FEB 23
1	REVISED AS PER CITY COMMENTS	MJ	JS	15 JUN 23

**ISSUE TABLE**

TO	FOR	DATE
SUNCOR	FOR REVIEW	08 JUL 22
CITY	ISSUED FOR SPA	28 JUL 22
SUNCOR	FOR REVIEW	24 FEB 23
CITY	RE-ISSUED FOR SPA	17 MAR 23

**METRIC**  
ALL DIMENSIONS ARE IN MILLIMETRES (U.O.C.). CONTRACTOR TO CHECK/VERIFY ALL DIMENSIONS PRIOR TO COMMENCEMENT OF WORK. ALL DISCREPANCIES TO BE REPORTED TO THE PROJECT DESIGNER. DO NOT SCALE DRAWINGS.



**NOTES AND DETAILS**

PROJECT: **PROMENADE PALLADIUM DRIVE @ PROMENADE CAMPEAU DRIVE**  
OTTAWA, ON

**DRAWING TITLE:**

**DRAWN BY:** BR **CAD NO.:** D (559 x 864)  
**DRAWING SCALE:** 1:300 **PETRO-CANADA CAD FILE No.**  
**DATE DRAWN:** 2022-07-01 **CONSULTANT CAD FILE No.** 200258-P304  
**CHECKED BY:** JS **PLOT SCALE:** 1:1  
**APPROVED BY:** JK **PLOT DATE:**  
**STO No./OUTLET No.** 10565 **PLOT CONFIGURATION:** P304