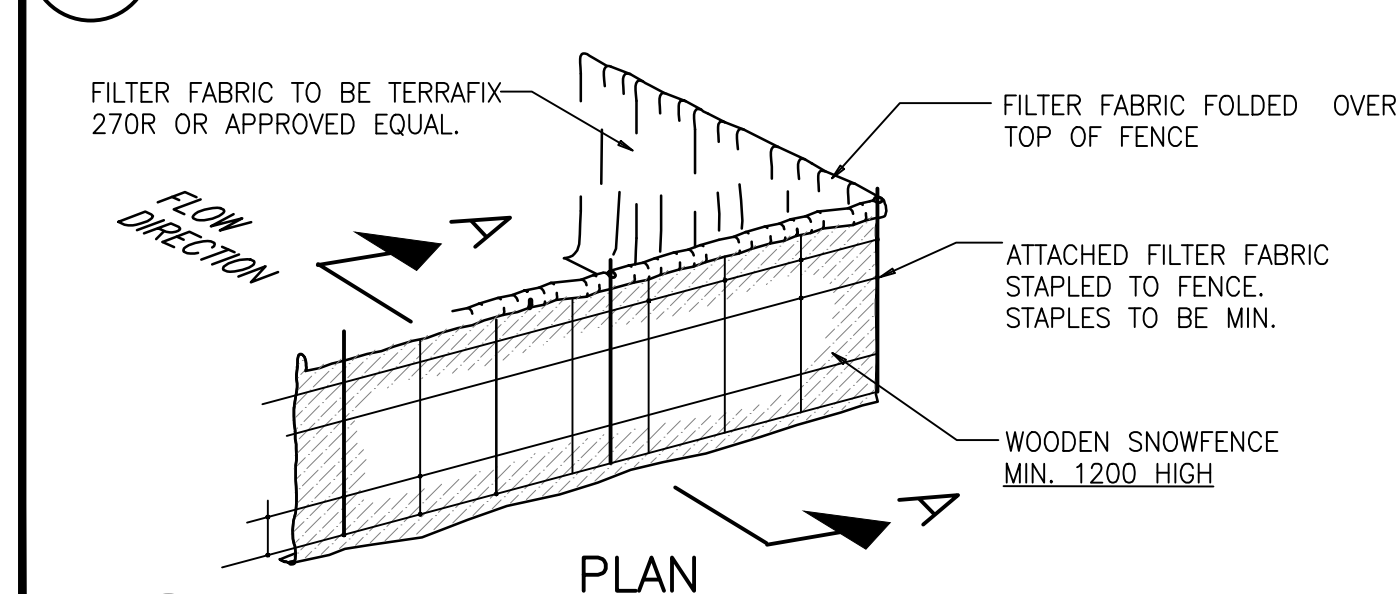
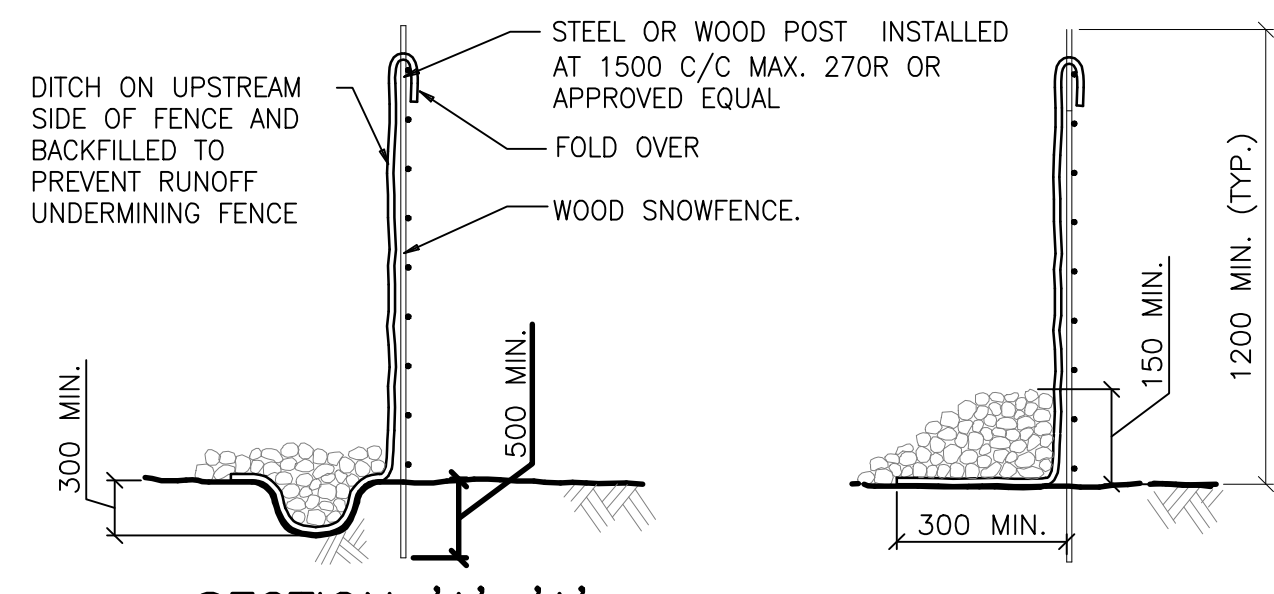


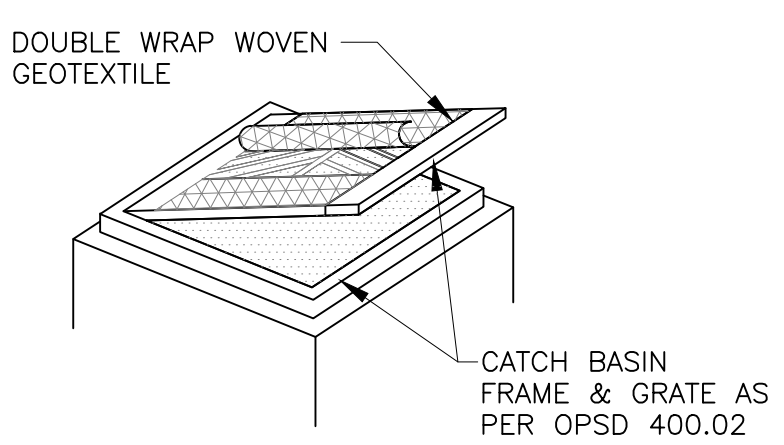
**1 EROSION AND SEDIMENT CONTROL PLAN**  
P-302 SCALE: 1:300



**2 SEDIMENT CONTROL FENCE**  
P-302 SCALE: NTS



**3 CATCHBASIN SEDIMENT PROTECTION DETAIL TYP.**  
P-302 SCALE: NTS



**4 TYP. MUDMAT DETAIL**  
P-302 SCALE: NTS

**EROSION & SEDIMENT CONTROL NOTES:**

1. THE OWNER IS RESPONSIBLE FOR OBTAINING ALL NECESSARY APPROVALS FROM THE CITY AND EXTERNAL AGENCIES PRIOR TO ANY SITE ALTERATION ACTIVITY.
2. PRIOR TO COMMENCEMENT OF ANY ON-SITE WORK/SOIL STRIPPING, EROSION AND SEDIMENT CONTROL (ESC) MEASURES, AS PER ACCEPTED SITE ALTERATION PLANS, MUST BE INSTALLED AND APPROVED BY THE DIRECTOR OF ENGINEERING. ADDITIONAL ESC MEASURES, IF REQUIRED, SHALL BE INSTALLED AS DIRECTOR OF ENGINEERING. THE ESC MEASURES SHALL REMAIN IN PLACE UNTIL DIRECTOR OF ENGINEERING FOR THEIR REMOVAL.
3. TREES ARE TO BE PRESERVED AS PER THE ACCEPTED TREE PRESERVATION PLANS.
4. NO CONSTRUCTION ACTIVITIES OR MACHINERY SHALL BE ALLOWED BEYOND THE SILT/SNOW FENCE OR LIMITS OF THE SUBDIVISION.
5. THE CONTRACTOR IS RESPONSIBLE TO IMPLEMENT DUST CONTROL MEASURES AND CONSTRUCTION PRACTICE GUIDELINES AS APPROVED BY THE CITY.
6. THE CONTRACTOR IS RESPONSIBLE FOR MAINTAINING ALL ESC MEASURES IN WORKING CONDITION AT ALL TIMES TO THE SATISFACTION OF THE DIRECTOR OF ENGINEERING. THE CONTRACTOR SHALL ROUTINELY INSPECT ALL ESC MEASURES AT A MINIMUM OF ONCE A WEEK AND AFTER EACH RAINFALL EVENT GREATER THAN 10mm TO ENSURE THE ESC MEASURES ARE IN PROPER WORKING CONDITIONS. ANY DAMAGES MUST BE REPAIRED WITHIN 24 HOURS.
7. ALL CONSTRUCTION VEHICLES MUST ENTER AND EXIT THE SITE ONLY FROM THE APPROVED ACCESS ROUTE(S) AS SHOWN ON THE ACCEPTED SITE ALTERATION PLANS.
8. CATCHBASIN SEDIMENT CONTROL MEASURE ARE TO BE INSTALLED IMMEDIATELY AFTER INSTALLATION OF CATCHBASINS.
9. ALL DISTURBED GROUND LEFT INACTIVE FOR OVER 30 DAYS SHALL BE VEGETATED, SUBJECT TO WEATHER CONDITIONS, BY SEEDING OR APPROVED EQUIVALENT TO THE SATISFACTION OF THE DIRECTOR OF ENGINEERING.
10. ALL SOIL STOCKPILES IF REMAINING ON SITE FOR MORE THAN 30 DAYS SHALL BE VEGETATED, SUBJECT TO WEATHER CONDITIONS, BY SEEDING OR APPROVED EQUIVALENT TO THE SATISFACTION OF THE DIRECTOR OF ENGINEERING.
11. STREET SWEEPING/CATCHBASIN CLEANING PROGRAM SHALL BE IMPLEMENTED UPON COMPLETION OF BASE ASPHALT TO THE SATISFACTION OF THE DIRECTOR OF ENGINEERING.
12. ALL SOIL STOCKPILES SHALL BE SURROUNDED WITH SEDIMENT CONTROL FENCE. THE MAXIMUM SIDE SLOPES FOR STOCKPILES SHALL BE 1.5 (H) TO 1.0 (V). THE MAXIMUM HEIGHT OF STOCKPILE SHALL NOT EXCEED 3.0 m.
13. THE CONTRACTOR SHALL ENDEAVOR TO PREVENT MUD TRUCKING ONTO EXISTING RIGHT-OF-WAY AND SHALL PROVIDE CLEAN UP AT HIS/HER OWN EXPENSE AS DIRECTED BY THE DIRECTOR OF ENGINEERING.
14. THE CONTRACTOR SHALL CARE AND CONTROL SPILLS, FLUIDS, AND MATERIALS DURING CONSTRUCTION TO MINIMIZE RISK TO THE ENVIRONMENT.



**KEY PLAN**  
NTS

**GENERAL NOTES**

1. VERIFY ALL DIMENSIONS PRIOR TO CONSTRUCTION.
2. DO NOT SCALE DRAWINGS.
3. REPORT ALL DISCOVERIES OF ERRORS, OMISSIONS OR DISCREPANCIES TO THE DESIGN ENGINEER AS APPLICABLE.
4. USE ONLY LATEST REVISED DRAWINGS OR THOSE THAT ARE MARKED "ISSUED FOR CONSTRUCTION".
5. DESIGN AND CONSTRUCTION OF THIS PROJECT SHALL COMPLY WITH THE PROVINCIAL AND LOCAL BUILDING CODES LATEST EDITION.
6. ALL WORKS AND MATERIALS USED SHALL COMPLY AS REQUIRED BY THE BUILDING CODE LATEST EDITION.
7. THIS DRAWING SHALL BE READ IN CONJUNCTION WITH ALL RELEVANT DRAWINGS & SPECIFICATIONS.
8. EVERYTHING IS TO BE CONSIDERED NEW UNLESS SPECIFIED EXISTING OTHERWISE.

**LEGEND**

- +100.00 EXISTING ELEVATION
- EXISTING CATCHBASIN
- EXISTING MANHOLE
- NEW CATCHBASIN
- NEW C.B./M.H.
- NEW MANHOLE
- PROPERTY LINE
- INLET PROTECTION DETAIL
- SILT FENCE
- OVERLAND FLOW ROUTE

PLAN OF SURVEY  
PART 1 - PLAN OF SURVEY OF  
PART OF BLOCK 6  
PLAN 4M-1566  
AND  
PART OF LOT 3  
CONCESSION 1  
GEOGRAPHIC TOWNSHIP OF HUNTLEY  
CITY OF OTTAWA

REVISION TABLE		
REV.	DESCRIPTION	DRAWN   APP'D. DATE
0	REVISED AS PER THE CLIENT'S COMMENTS	RP JS 11 FEB 21

ISSUE TABLE		
TO	FOR	DATE
SUNCOR	75% REVIEW	11 NOV 20
SUNCOR	PRICING	04 DEC 20
SUNCOR	ISSUED FOR SPA	18 DEC 20

**METRIC**  
ALL DIMENSIONS ARE IN MILLIMETRES U.N.O. CONTRACTOR TO CHECK/VERIFY ALL DIMENSIONS PRIOR TO COMMENCEMENT OF WORK. ALL DISCREPANCIES TO BE REPORTED TO THE PROJECT DESIGNER. DO NOT SCALE DRAWINGS.



DRAWING TITLE:  
**EROSION AND SEDIMENT CONTROL PLAN**

PROJECT:  
**PROMENADE PALLADIUM DRIVE @ PROMENADE CAMPEAU DRIVE**  
OTTAWA, ON

DRAWN BY: RP	CAD INO. SHEET SIZE: D (559 x 864)
DRAWING SCALE: 1:300	PETRO-CANADA CAD FILE No.
DATE DRAWN: 2020-10-13	CONSULTANT CAD FILE No. 200258-P302
CHECKED BY: BR	PLOT SCALE: 1:1
APPROVED BY: JS	PLOT DATE
	PLOT CONFIGURATION

STD No./OUTLET No. **10565** **P302**