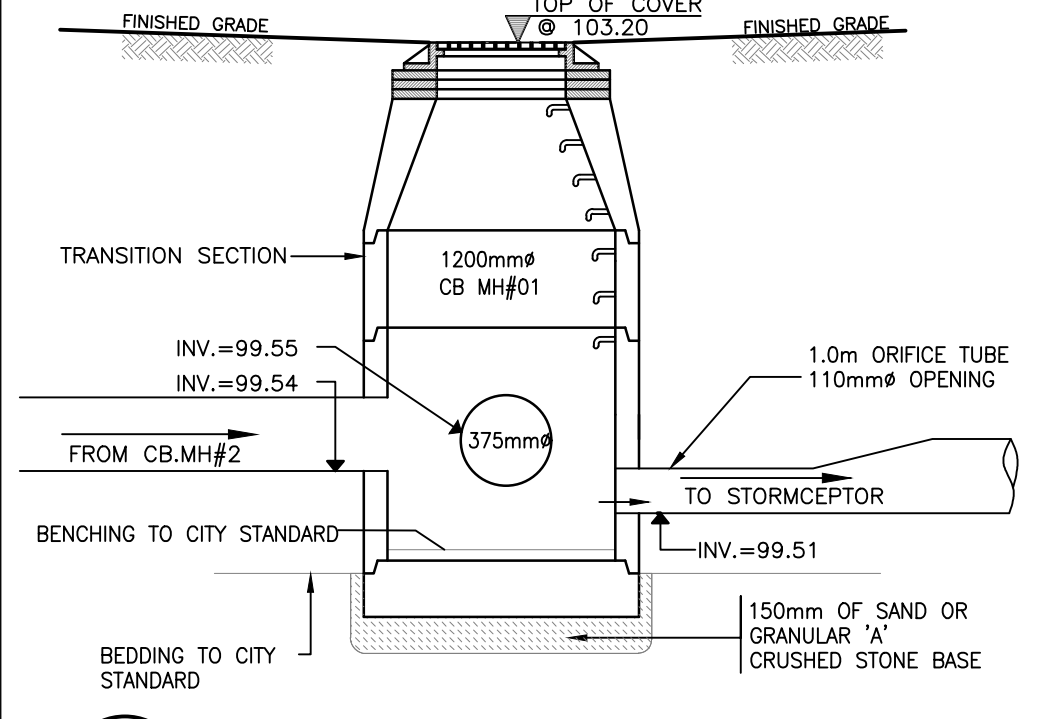
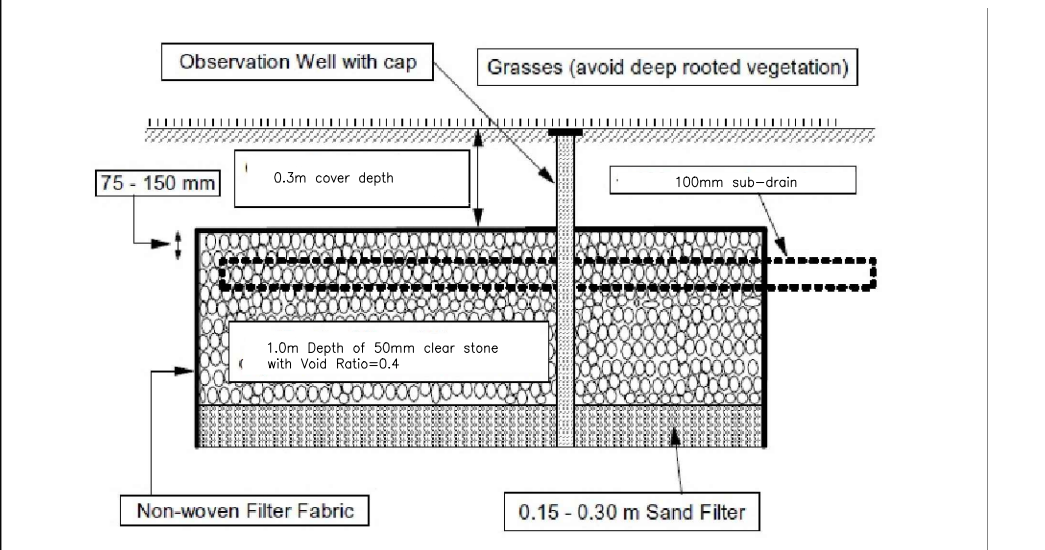


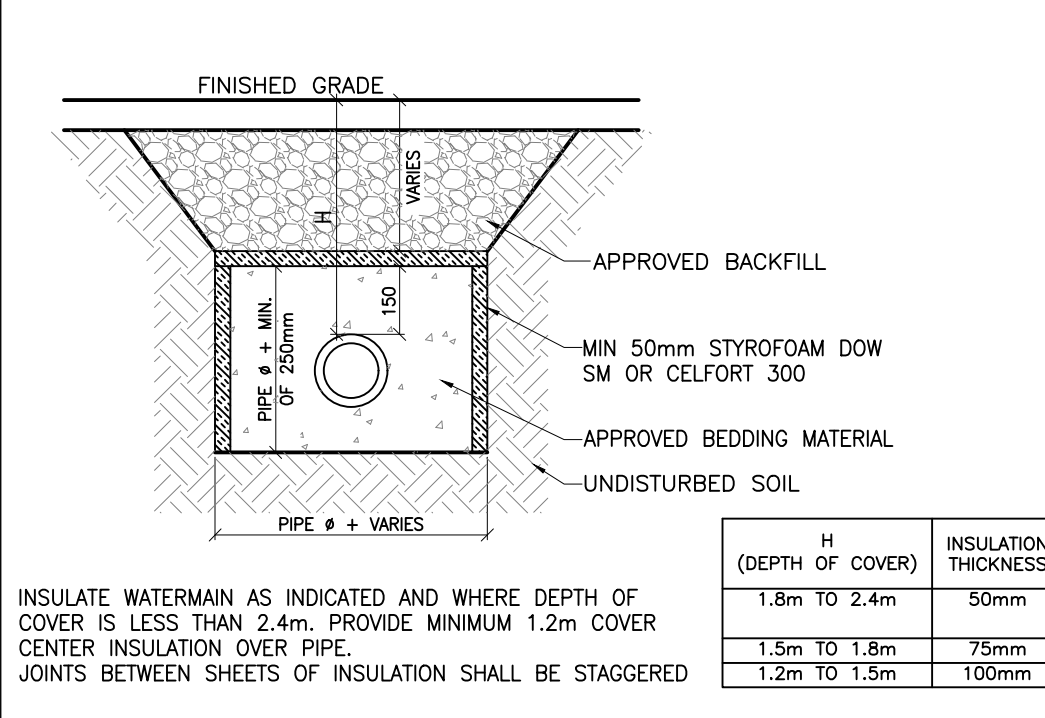
1 PIPE BEDDING DETAIL
SCALE: NTS



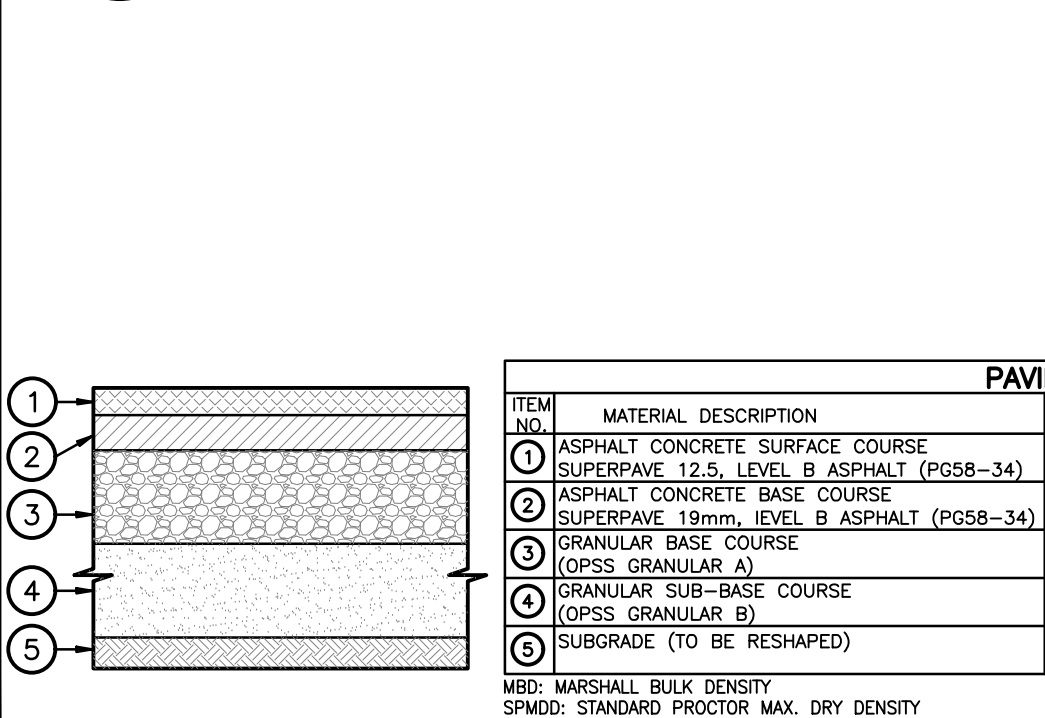
2 ORIFICE TUBE DETAIL CB.MH#01
SCALE: N.T.S.



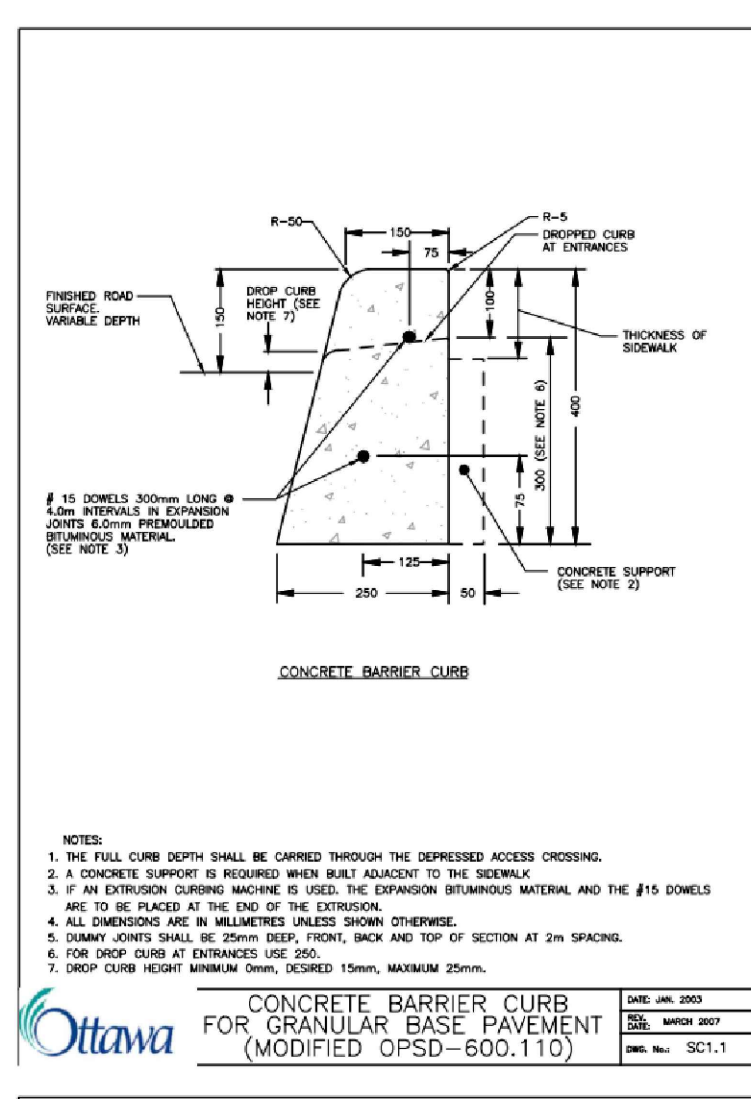
3 TYP. INFILTRATION TRENCH
SCALE: NTS



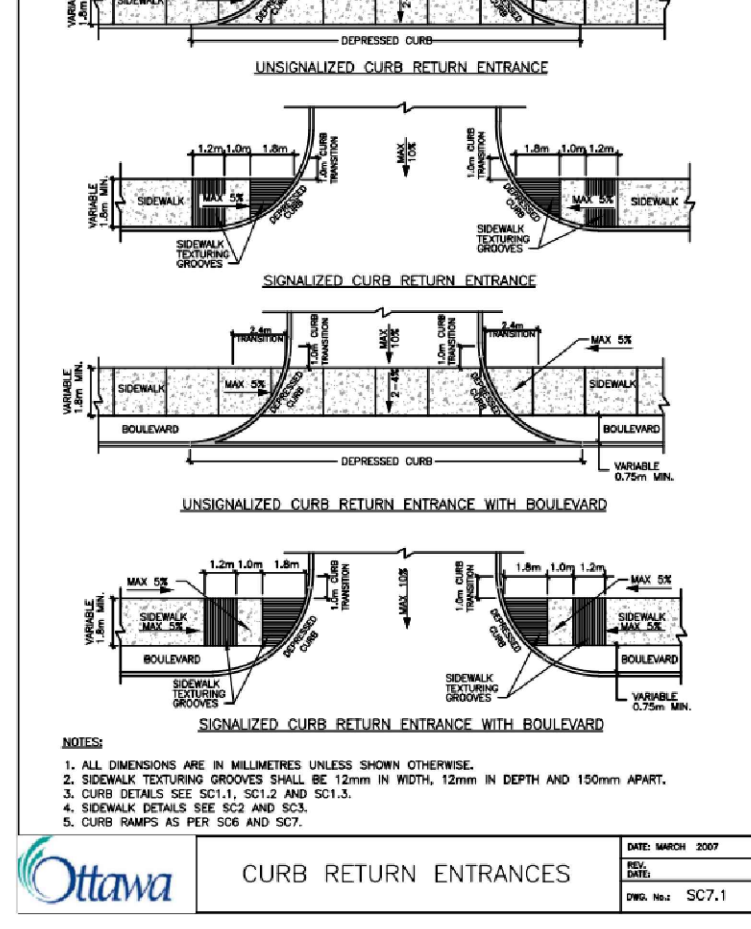
4 WATERMAIN INSULATION
SCALE: NTS



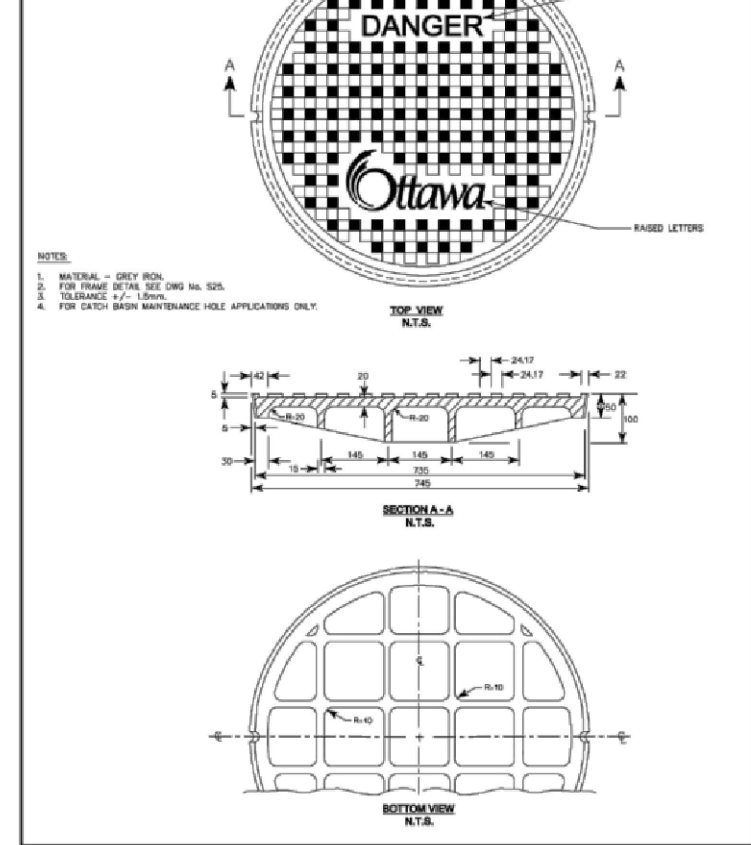
5 TYP. SECTION THROUGH PAVEMENT
SCALE: NTS



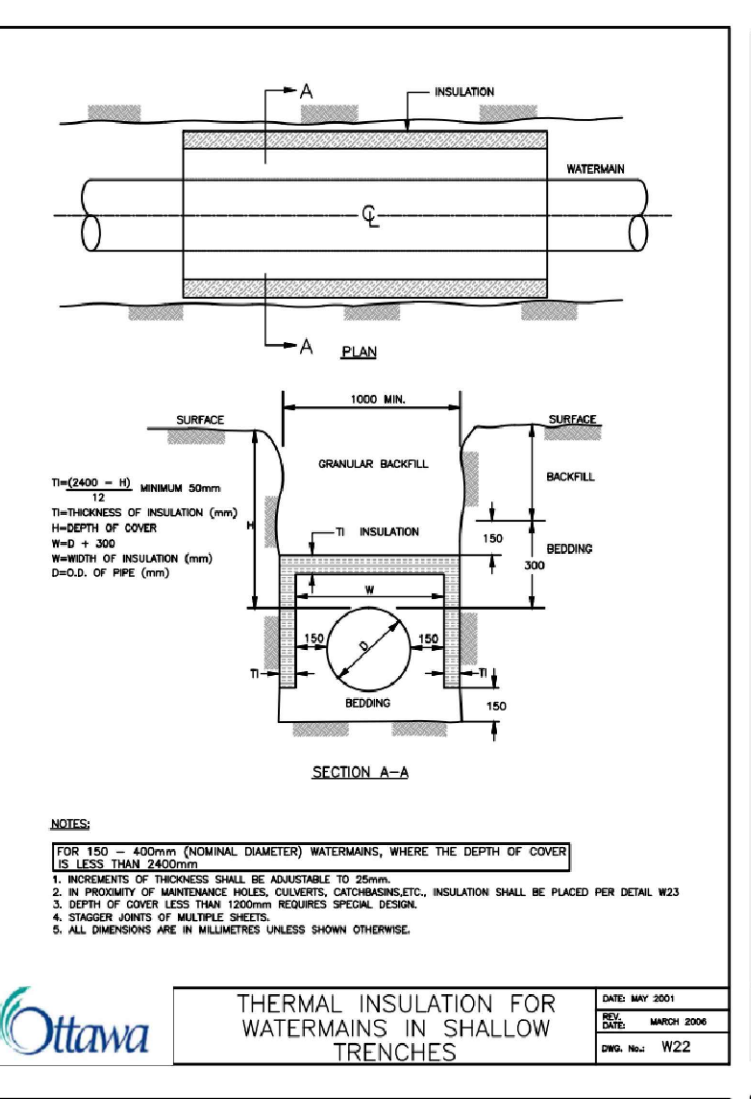
CONCRETE BARRIER CURB FOR GRANULAR BASE PAVEMENT (MODIFIED OPSD-600.110)
SCALE: SCL.1



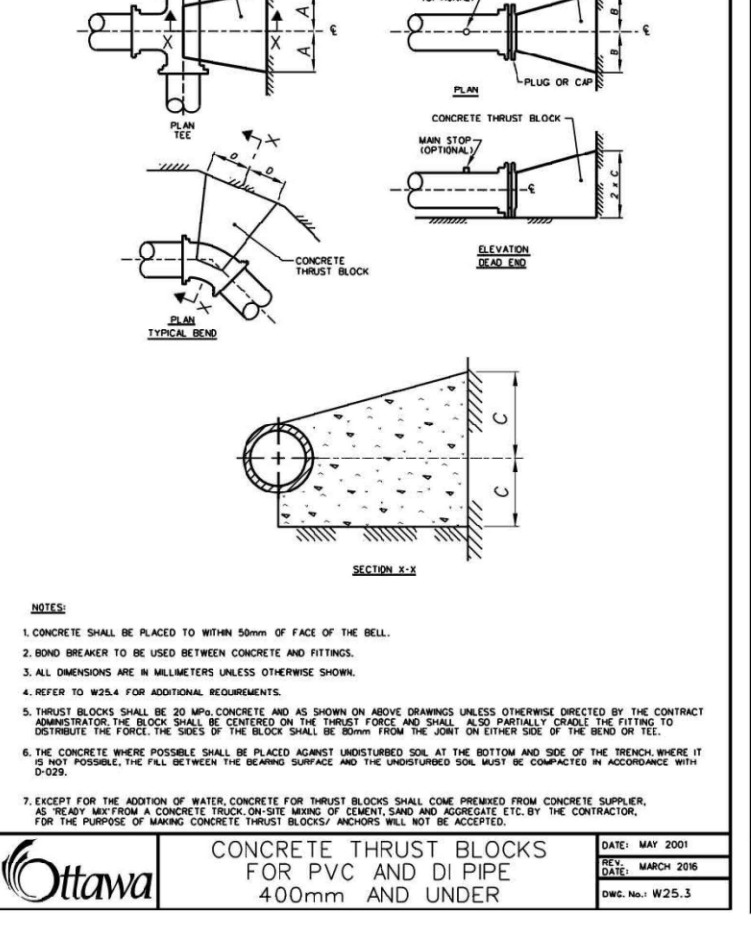
CURB RETURN ENTRANCES
SCALE: SCL.1



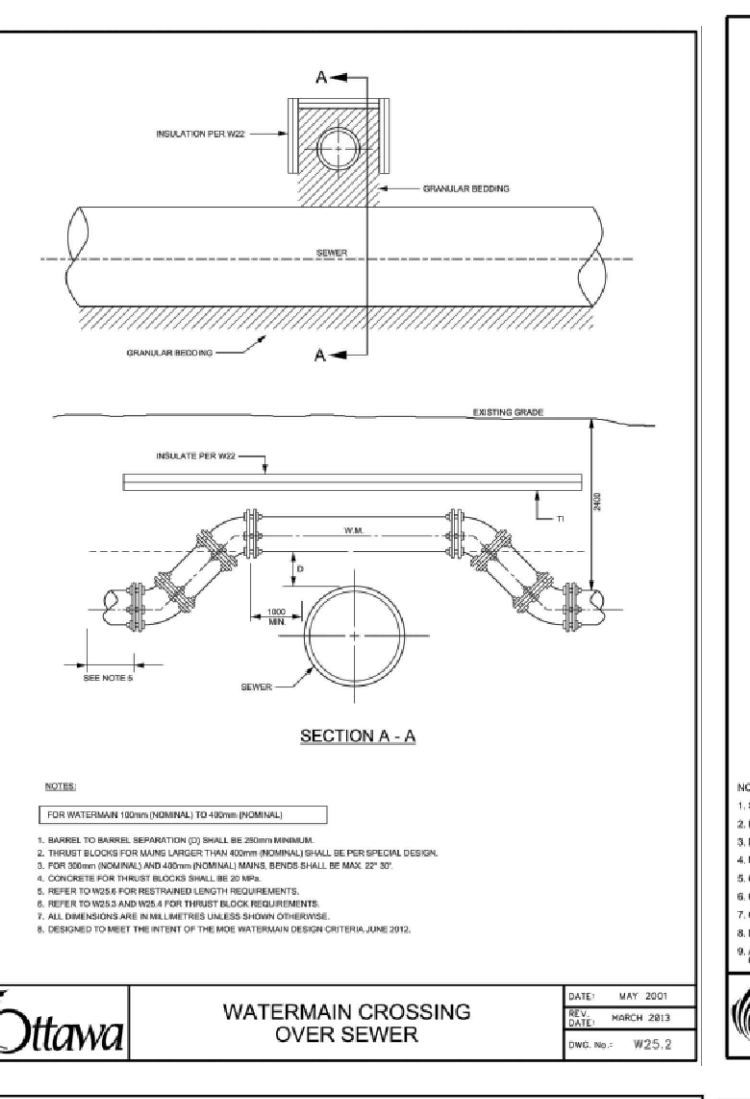
CATCH BASIN MAINTENANCE HOLE COVER (MODIFIED OPSD-401.020)
SCALE: SCL.1



THERMAL INSULATION FOR WATERMANS IN SHALLOW TRENCHES
SCALE: SCL.1



CONCRETE THRUST BLOCKS FOR PVC AND DI PIPE 400mm AND UNDER
SCALE: SCL.1

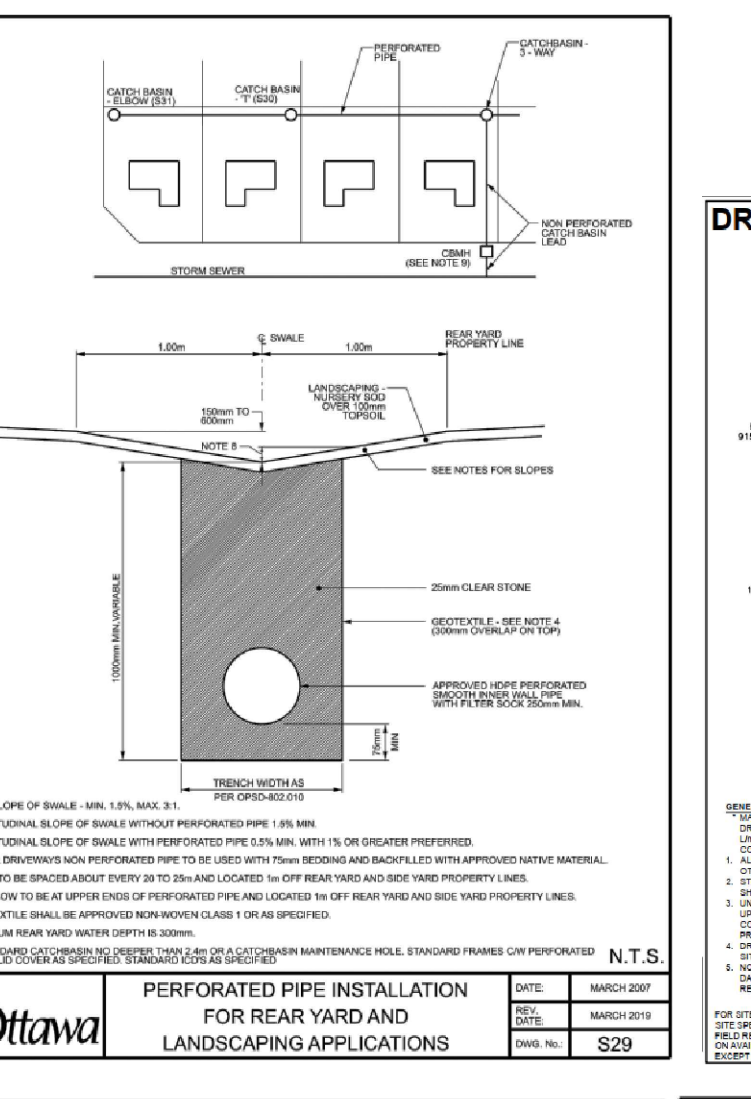


WATERMAIN CROSSING OVER SEWER
SCALE: SCL.1

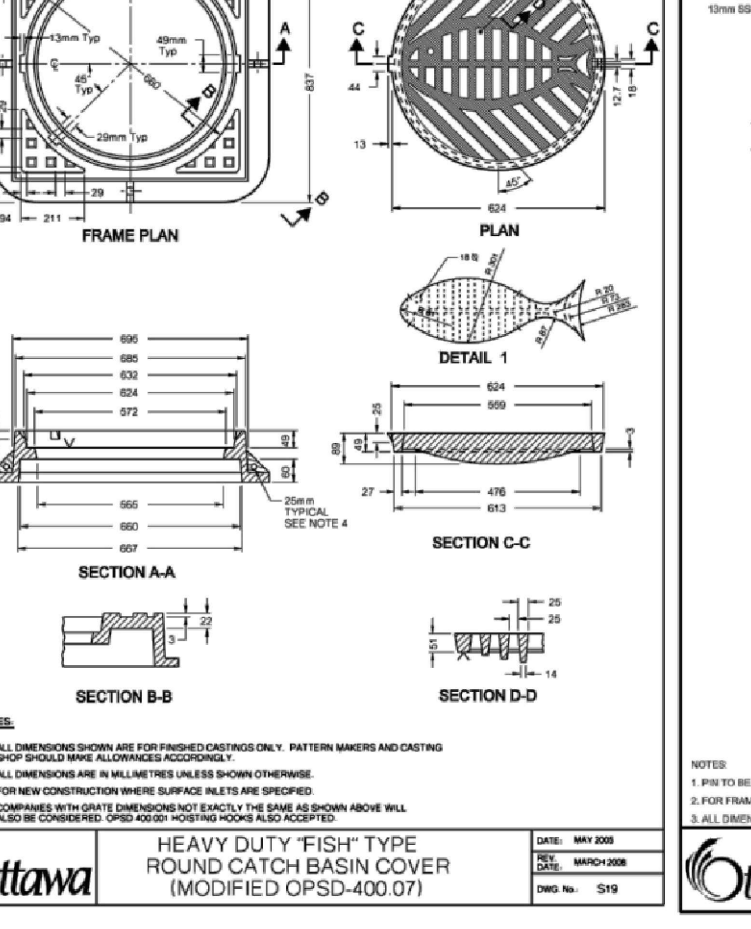
THRUST BLOCK DIMENSION TABLES FOR PVC AND DI PIPE 400mm AND UNDER

PIPE DIAMETER	DIMENSION NOTED ON WELLS			
	A	B	C	D
100	200	200	200	200
150	400	400	200	300
200	500	500	300	400
254	600	600	400	500
305	800	800	400	600
400	1000	1000	600	800

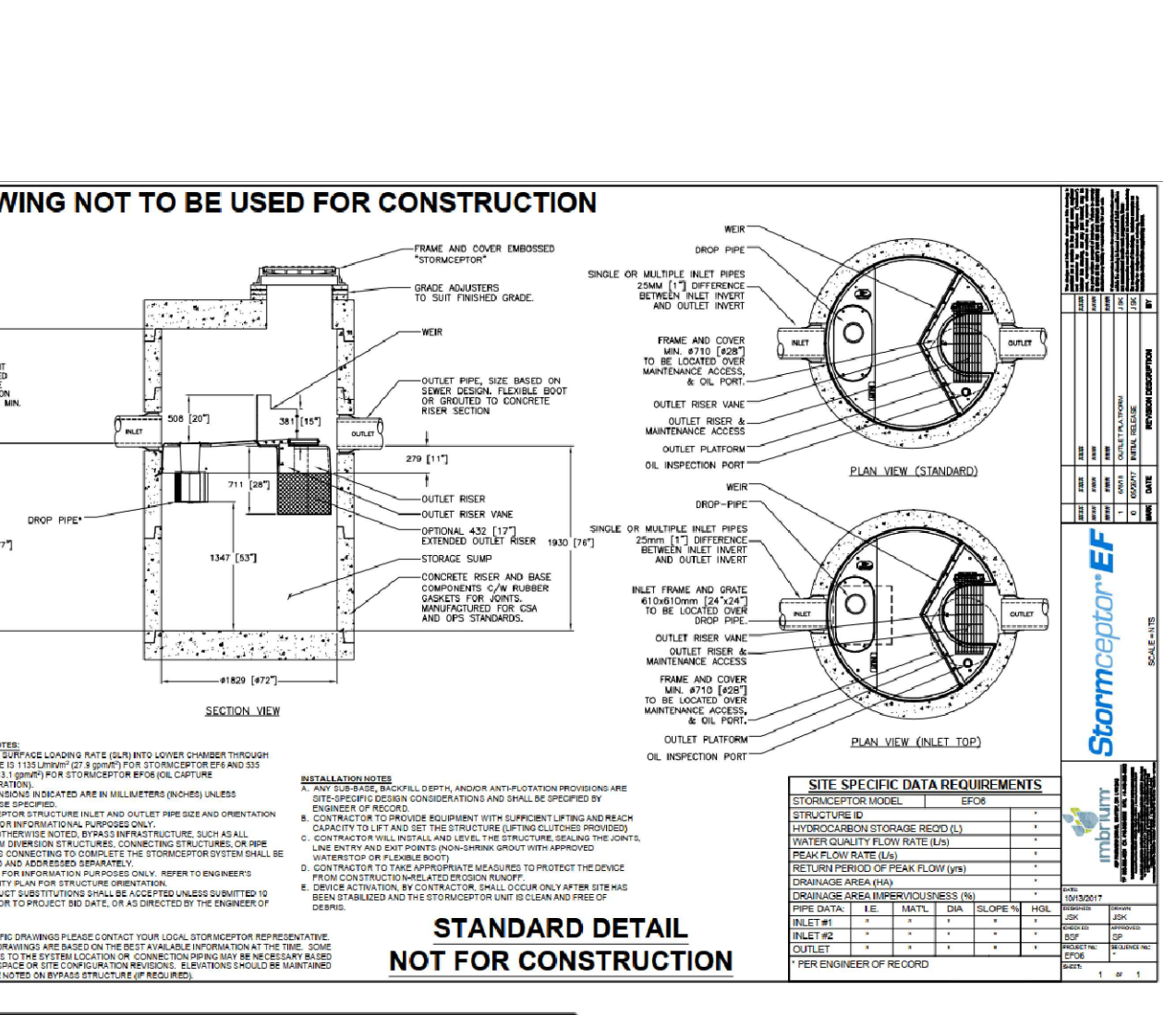
THRUST BLOCK DIMENSION TABLES FOR PVC AND DI PIPE 400mm AND UNDER
SCALE: SCL.1



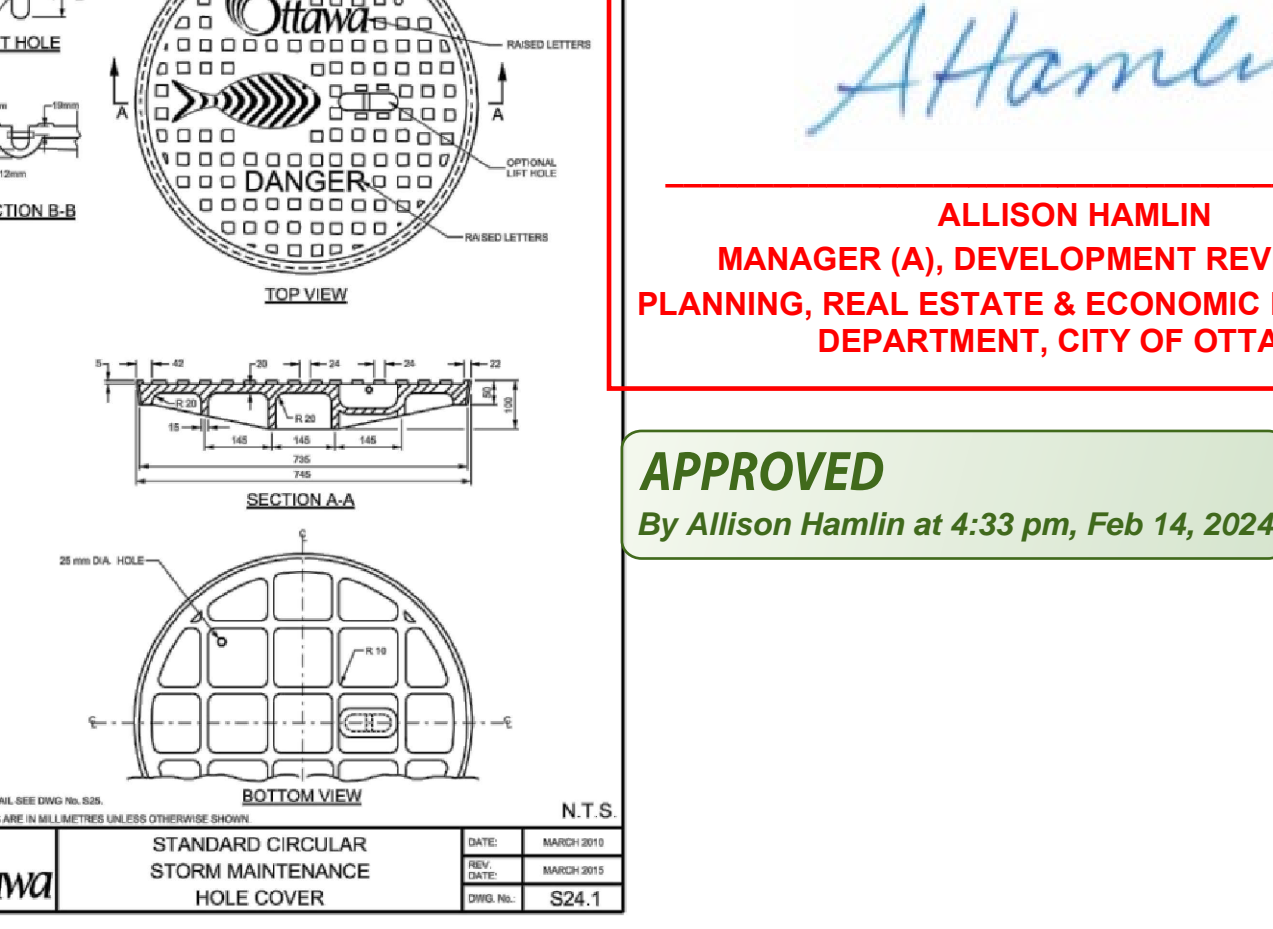
PERFORATED PIPE INSTALLATION FOR REAR YARD AND LANDSCAPING APPLICATIONS
SCALE: S29



HEAVY DUTY 'FISH' TYPE ROUND CATCH BASIN COVER (MODIFIED OPSD-400.07)
SCALE: SCL.1



STANDARD DETAIL NOT FOR CONSTRUCTION
SCALE: S29



STANDARD CIRCULAR STORM MAINTENANCE HOLE COVER
SCALE: S24.1

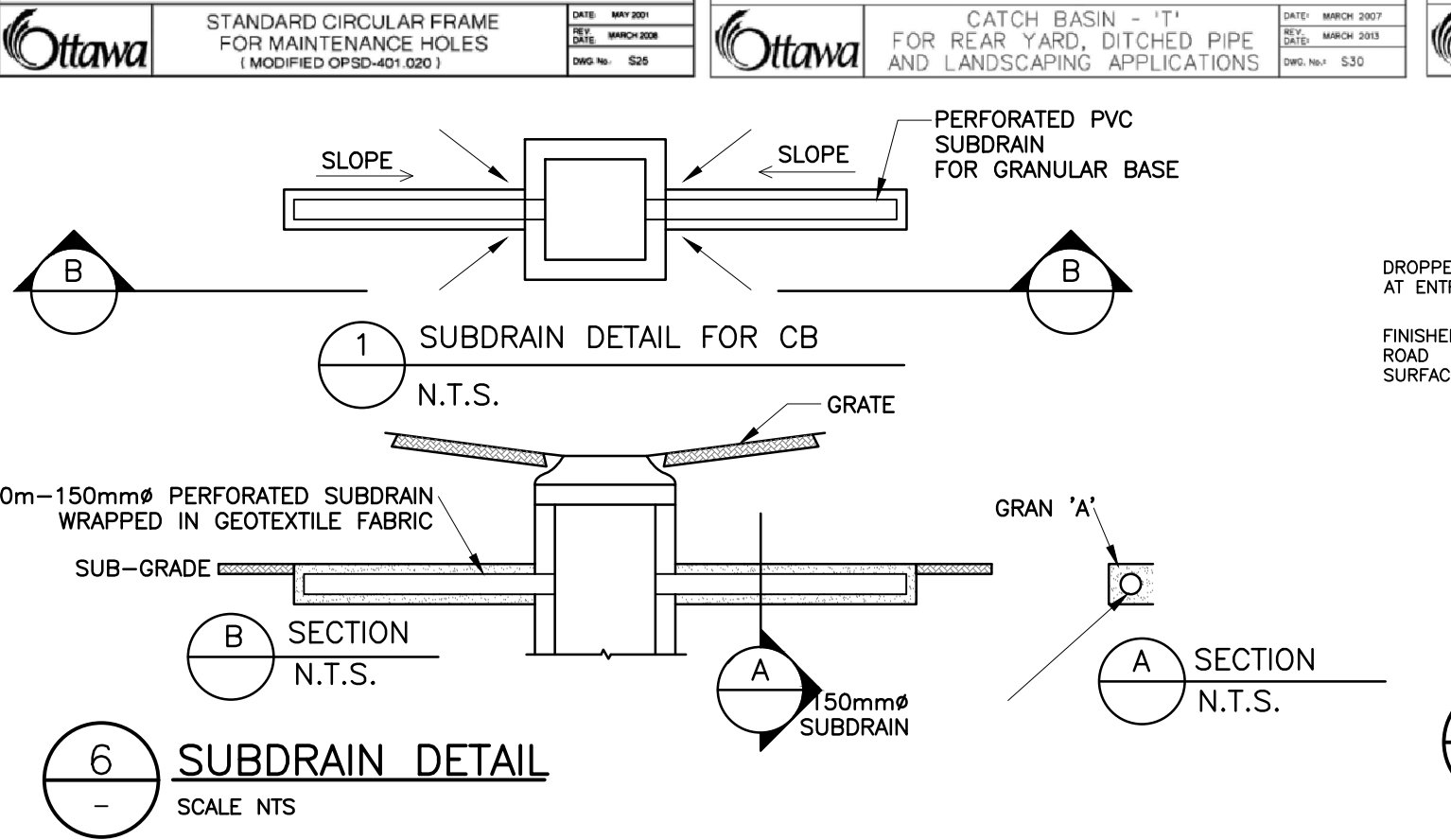
- GRADING AND SERVICES NOTES**
- ALL DIMENSIONS AND ELEVATIONS ARE METRIC, UNLESS NOTED OTHERWISE.
 - ALL DIMENSIONS AND DESIGN ELEVATIONS MUST BE VERIFIED BY THE CONTRACTOR PRIOR TO CONSTRUCTION. ANY DISCREPANCIES MUST BE BROUGHT TO THE ATTENTION OF THE DESIGN ENGINEER OR ARCHITECT WHERE APPLICABLE.
 - THE CONTRACTOR SHALL RESTORE TO ORIGINAL OR BETTER CONDITION FOR ANY EXISTING CONDITION DISTURBED DURING THE CONSTRUCTION AT CONTRACTOR'S EXPENSE.
 - CONTROL MANHOLES ARE TO BE BENCH TO THE INVERTS.
 - LANDSCAPING SHALL NOT ENCRUSH ON BOULEVARD NOR SHALL BOULEVARD GRADES BE ALTERED.
 - STANDARD DRAWINGS OF THE CITY CONSTITUTE PART OF THE PLANS OF THE CONTRACT.
 - ANY CONFLICT WITH EXISTING SERVICES SHALL BE RECTIFIED AS PER CITY'S REQUIREMENTS.
 - MINIMUM VERTICAL AND HORIZONTAL SEPARATION BETWEEN THE INVERTS OF THE SEWER AND A CROWN OF A WATER MAIN SHALL COMPLY WITH THE MUNICIPAL AND LOCAL BY-LAWS AT ALL CROSSINGS.
 - CONSTRUCT PAVEMENT AS SPECIFIED. SEE PAVEMENT STRUCTURE DETAILS 1/P-304.
 - ALL CONCRETE CURBS FROM EXISTING ROAD CURB TO STREET LINE SHALL BE BARRIER CURB TO CITY STANDARDS. ALL CONCRETE CURB HEIGHTS SHALL BE 150mm ABOVE FINISHED GRADE (A.F.G.) UNLESS OTHERWISE NOTED. DRIVEWAY CURBS ARE TO BE DISCONTINUOUS AT SIDEWALKS AND TAPERED BACK MINIMUM OF 300mm OR TO THE APPROVAL OF DESIGN ENGINEER.
 - ALL REQUIRED CURB CUTTING AT ENTRANCES AND CURB DEPRESSIONS AT SIDEWALK CROSSINGS SHALL BE INSTALLED TO THE APPROVAL OF THE DESIGN ENGINEER.

REVISION TABLE

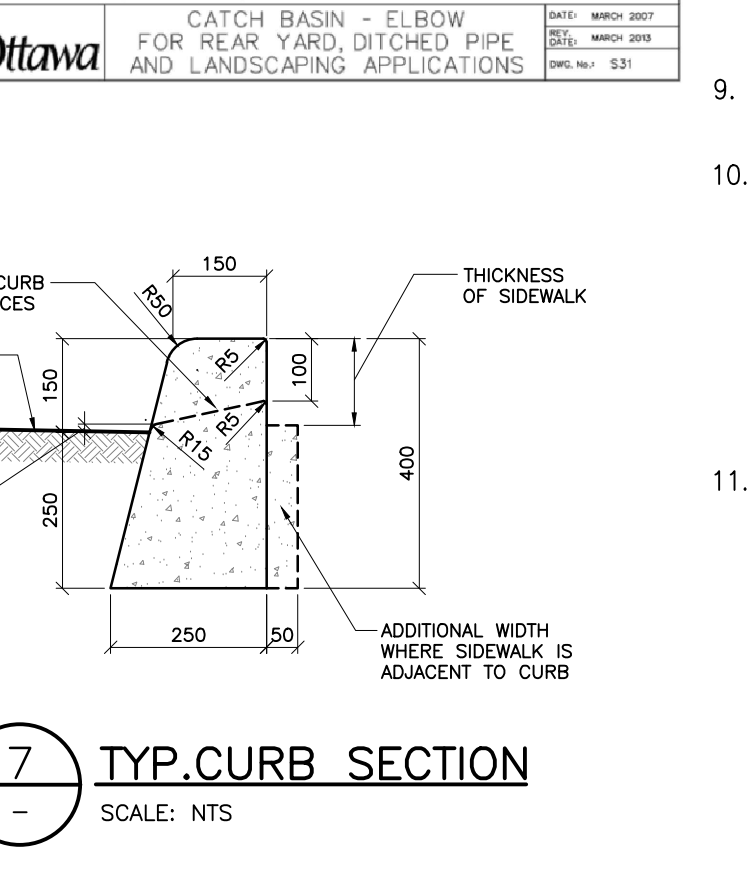
REV.	DESCRIPTION	DATE	DRAWN	APP'D.
0	REVISED AS PER CITY COMMENTS	24 FEB 23	MJ JS	
	REVISED AS PER CITY COMMENTS	15 JUN 23	MJ JS	

ISSUE TABLE

TO	FOR	DATE
CITY	RE-ISSUED FOR SPA	15 JUN 23



SUBDRAIN DETAIL
SCALE: NTS



TYP. CURB SECTION
SCALE: NTS

AtHamlin
ALLISON HAMLIN
MANAGER (A), DEVELOPMENT REVIEW WEST
PLANNING, REAL ESTATE & ECONOMIC DEVELOPMENT
DEPARTMENT, CITY OF OTTAWA

APPROVED
By Allison Hamlin at 4:33 pm, Feb 14, 2024

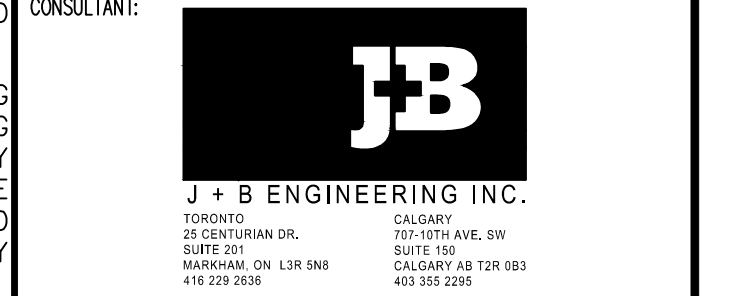
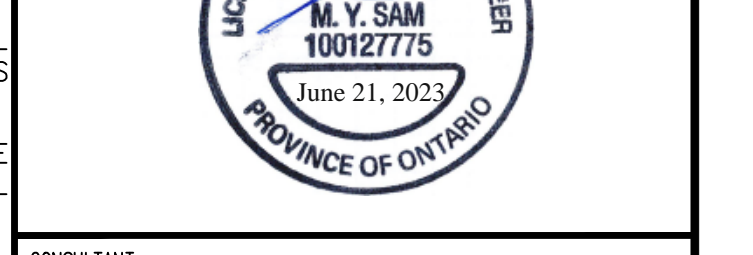
REVISION TABLE

REV.	DESCRIPTION	DATE	DRAWN	APP'D.
0	REVISED AS PER CITY COMMENTS	24 FEB 23	MJ JS	
	REVISED AS PER CITY COMMENTS	15 JUN 23	MJ JS	

ISSUE TABLE

TO	FOR	DATE
SUNCOR	FOR REVIEW	08 JUL 22
CITY	ISSUED FOR SPA	28 JUL 22
SUNCOR	FOR REVIEW	24 FEB 23
CITY	RE-ISSUED FOR SPA	17 MAR 23

METRIC
ALL DIMENSIONS ARE IN MILLIMETRES (U.N.O.). CONTRACTOR TO CHECK/VERIFY ALL DIMENSIONS PRIOR TO COMMENCEMENT OF WORK. ALL DISCREPANCIES TO BE REPORTED TO THE PROJECT DESIGNER. DO NOT SCALE DRAWINGS.



NOTES AND DETAILS

PROJECT: **PROMENADE PALLADIUM DRIVE @ PROMENADE CAMPEAU DRIVE**
OTTAWA, ON

DRAWING TITLE: PROMENADE PALLADIUM DRIVE @ PROMENADE CAMPEAU DRIVE

DRAWN BY: BR **CAD INFO:** SHEET SIZE: D (559 x 864)

DRAWING SCALE: 1:300 **PETRO-CANADA CAD FILE No.**

DATE DRAWN: 2022-07-01 **CONSULTANT CAD FILE No.** 200258-P304

CHECKED BY: JS **PLOT SCALE:** 1:1

APPROVED BY: JK **PLOT DATE:**

STO No./OUTLET No. 10565 **PLOT CONFIGURATION:** P304