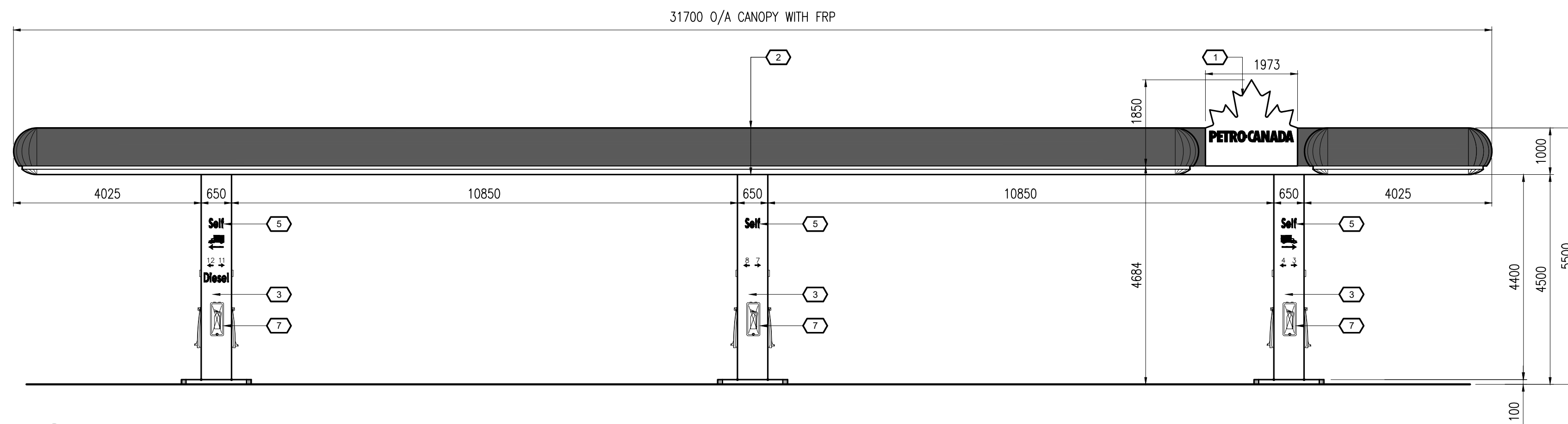
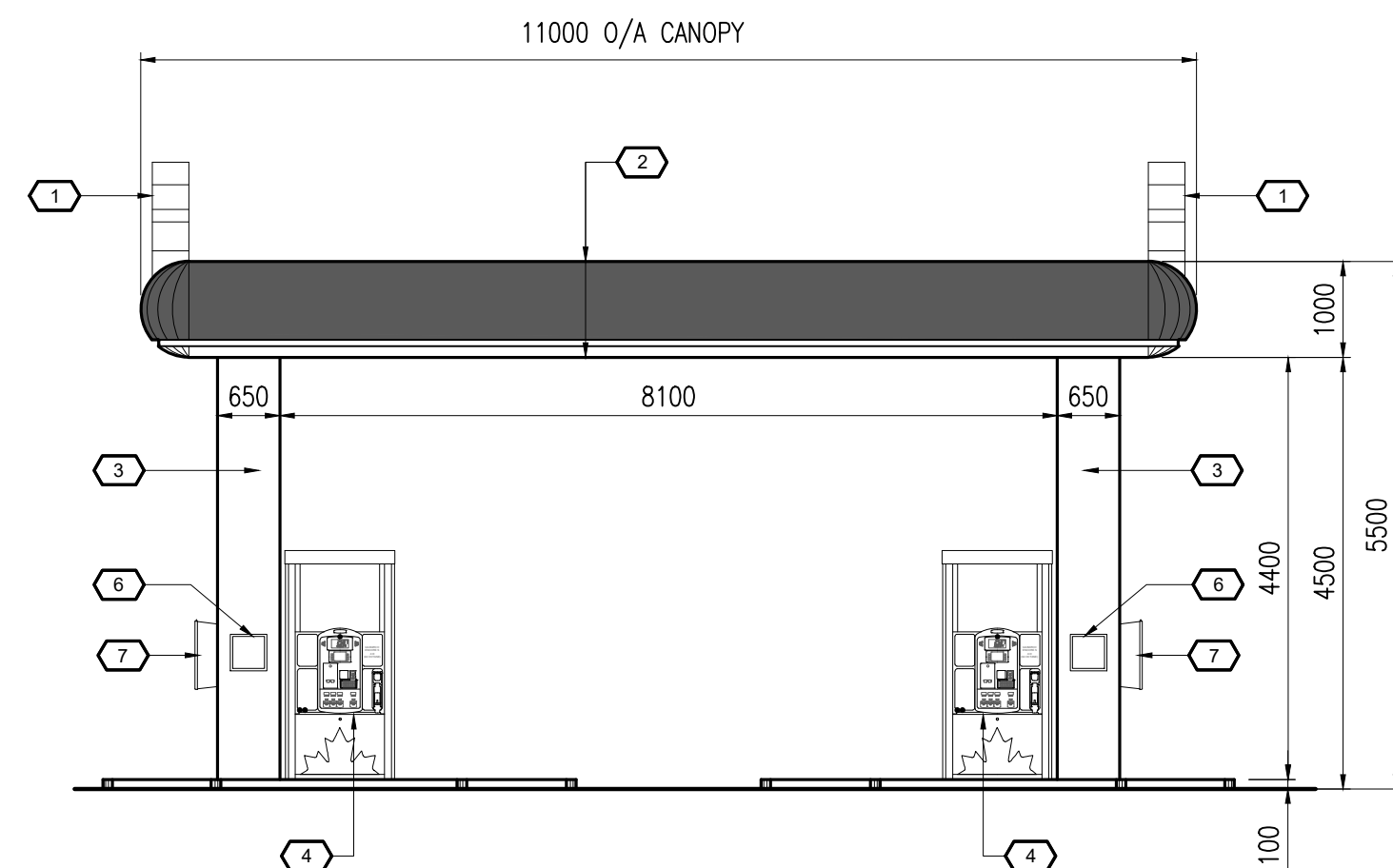


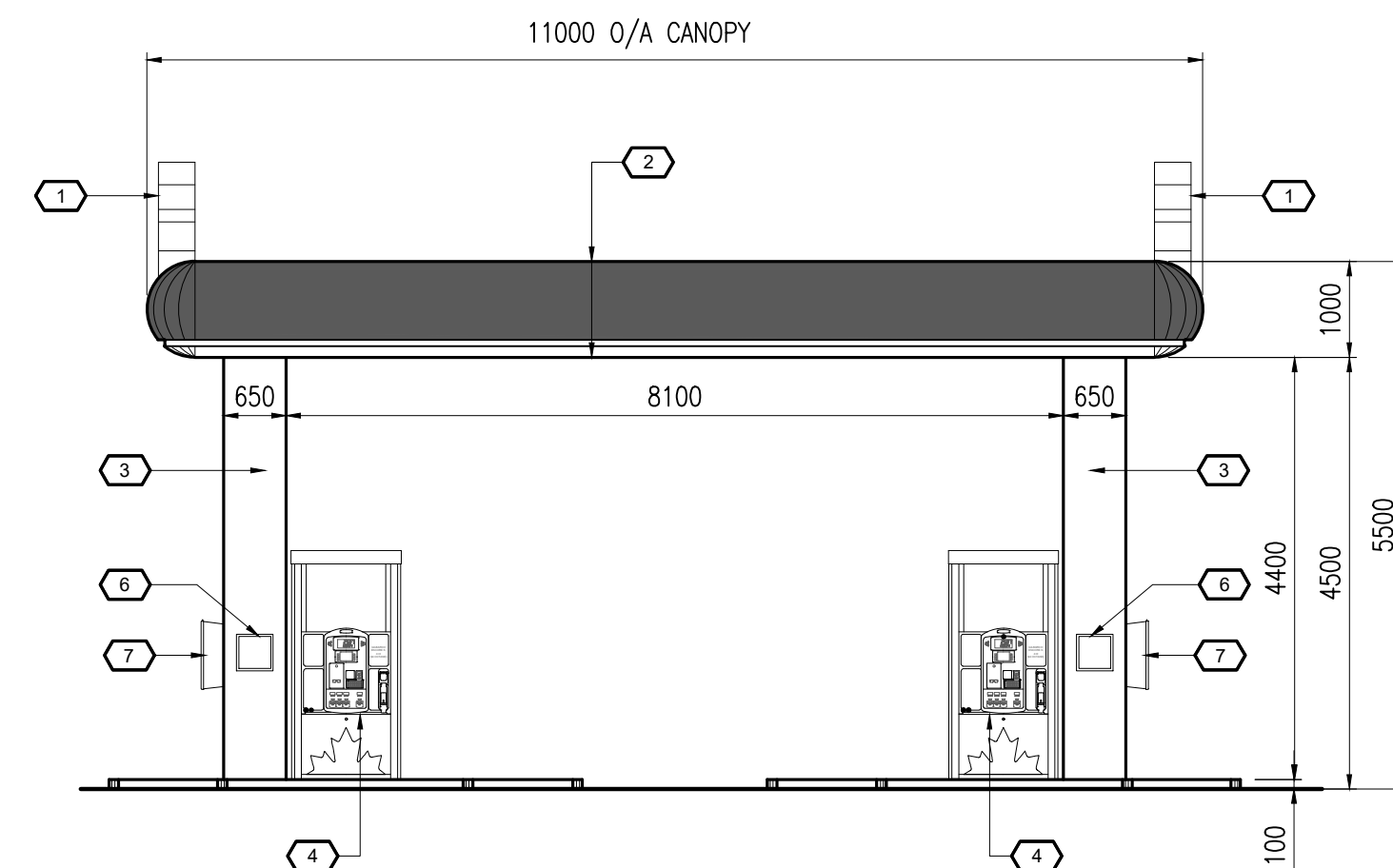
**1 WEST ELEVATION**



**2 EAST ELEVATION**



**3 NORTH ELEVATION**



**4 SOUTH ELEVATION**

NO.	PRODUCT	SPECIFICATION & COLOUR
1	ILLUMINATED SIGNAGE	SUPPLIED BY TRANSWORLD
2	FIBRE REINFORCED PLASTIC	1000mm HALF ROUND FRP WITH INTEGRAL REVEAL GLOSS RED ABOVE REVEAL AND GLOSS WHITE BELOW C/W RED LED LIGHT STRIP IN REVEAL
3	ALUMINUM COMPOSITE METAL PANEL	COLOUR: PCP WHITE
4	GAS DISPENSER UNIT	
5	PIN LETTER / GRAPHIC	COLOUR: MATTE BLACK
6	SNAP FRAME UNITS	
7	FIRE EXTINGUISHER	1 PER CHANNEL

**5 FINISH SCHEDULE**  
SCALE: N.T.S.

REV.	DESCRIPTION	DRAWN / APP'D.	DATE

TO	FOR	DATE
CITY	ISSUED FOR SITE PLAN APPROVAL	20 DEC 22
CITY	RE-ISSUED FOR SITE PLAN APPROVAL	04 APR 23

**METRIC**  
ALL DIMENSIONS ARE IN MILLIMETRES U.N.O. CONTRACTOR TO CHECK/VERIFY ALL DIMENSIONS PRIOR TO COMMENCEMENT OF WORK. ALL DISCREPANCIES TO BE REPORTED TO THE PROJECT DESIGNER. DO NOT SCALE DRAWINGS.

SEAL:

CONSULTANT:  
**K. PAUL ARCHITECT INC.**  
TORONTO • VANCOUVER • ORLANDO  
2660 Sherwood Heights Dr. Suite 200, Oakville, Ontario, L6J 7Y8  
www.kpaularchitect.com  
(905)337-9800 fax (905)337-1986



DRAWING TITLE:  
**GAS BAR CANOPY ELEVATIONS**

PROJECT:  
NEIGHBOURS N3000AW  
**8605 CAMPEAU DRIVE**  
KANATA (OTTAWA), ONTARIO

DRAWN BY: CL  
DRAWING SCALE: 1:75  
DATE DRAWN: APR 2023  
CHECKED BY:  
APPROVED BY:

CAD INFO:  
SHEET SIZE: D (559 x 864)  
PETRO-CANADA  
CAD FILE No.  
CONSULTANT  
CAD FILE No.  
PLOT SCALE  
PLOT DATE  
PLOT CONFIGURATION

STD No./OUTLET No.  
**10565**

**A3**