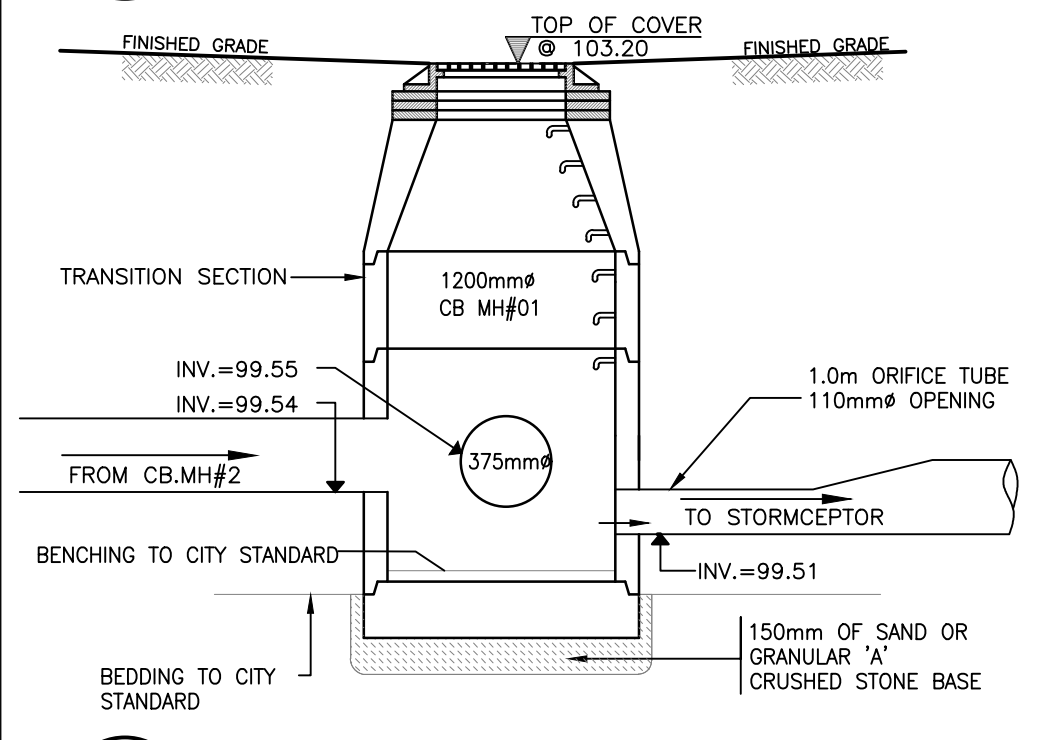
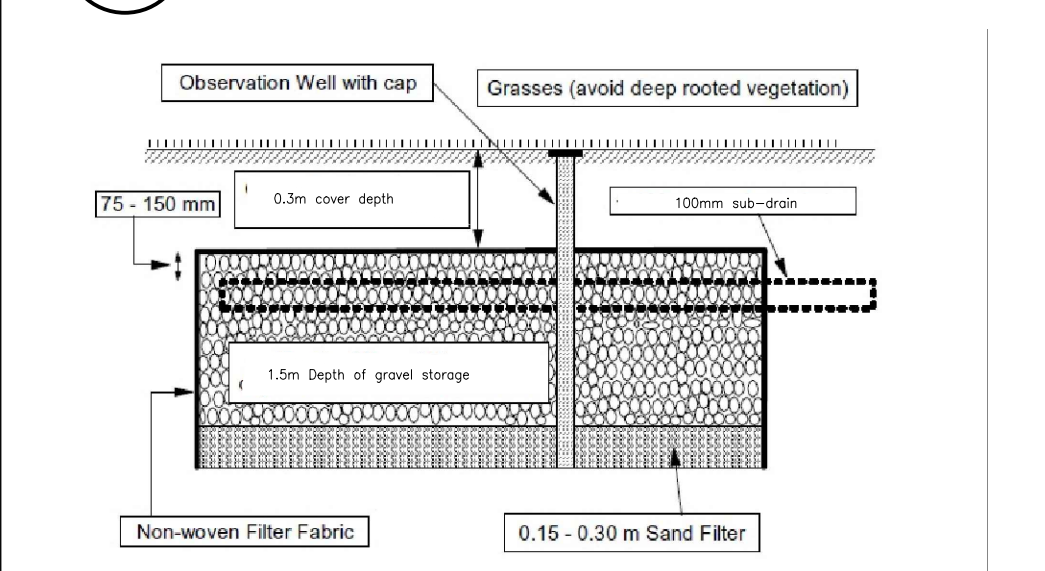


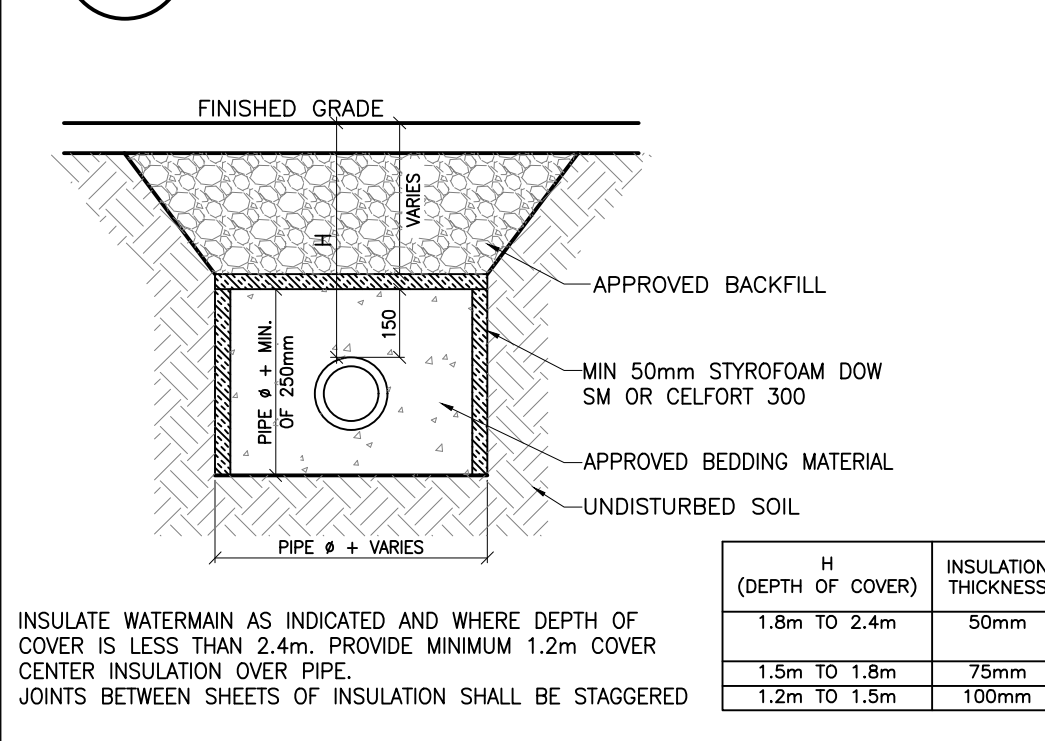
**1 PIPE BEDDING DETAIL**  
SCALE: NTS



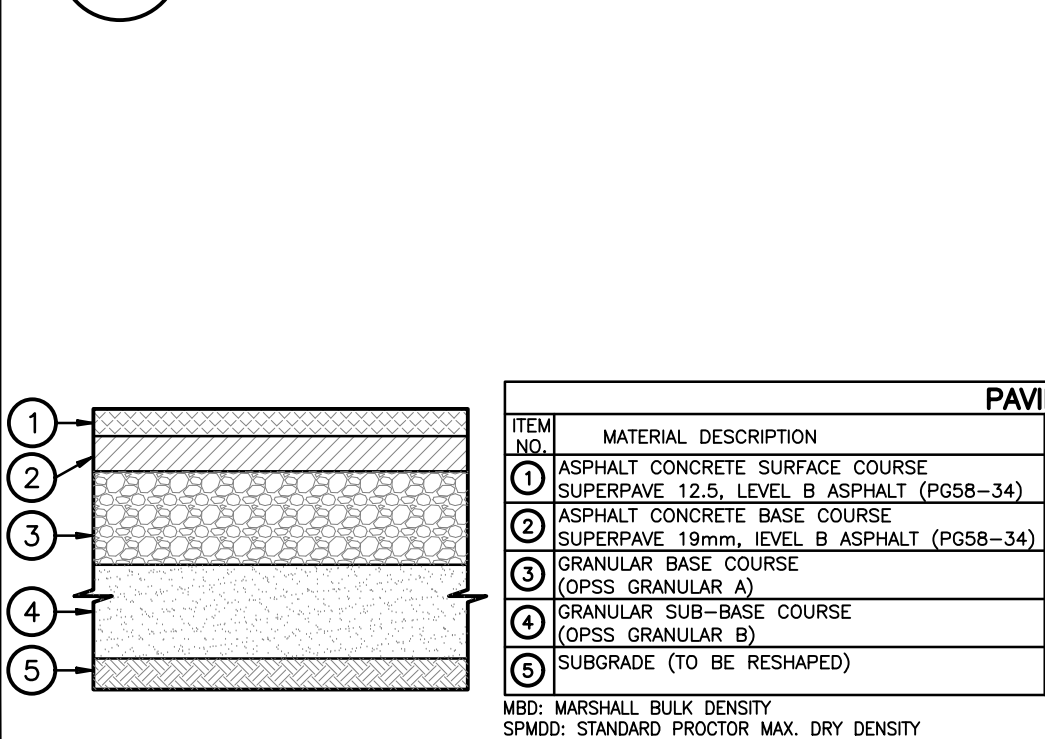
**2 ORIFICE TUBE DETAIL CB.MH#01**  
SCALE: N.T.S.



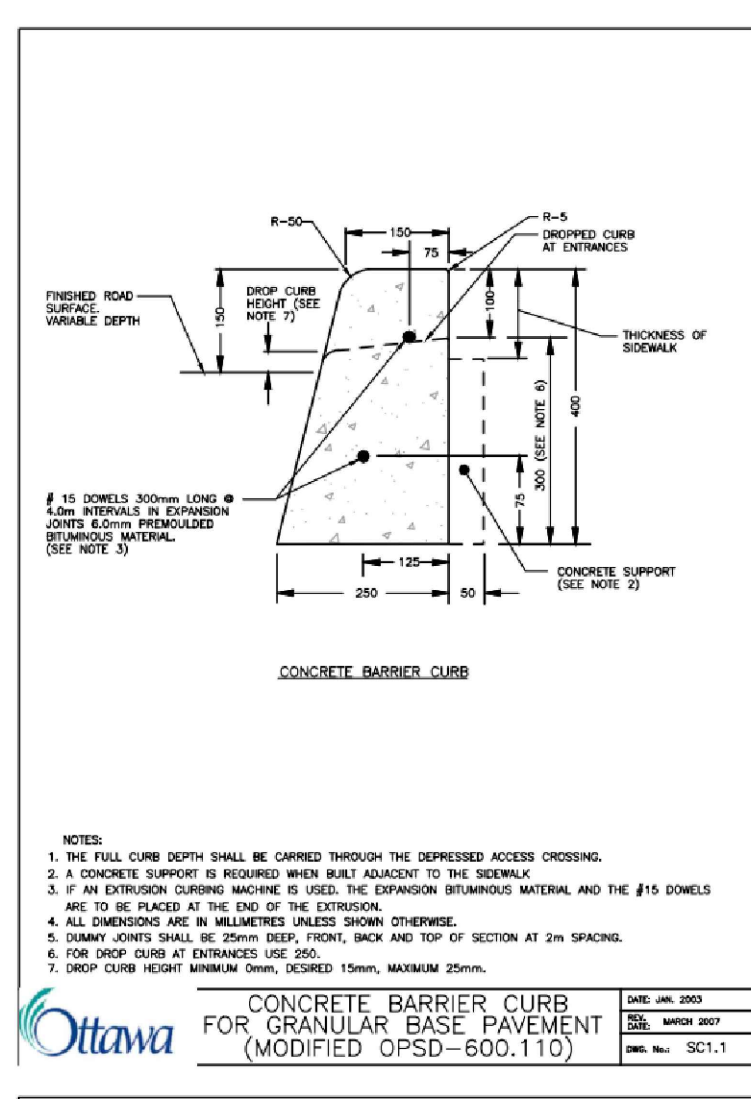
**3 TYP. INFILTRATION TRENCH**  
SCALE: NTS



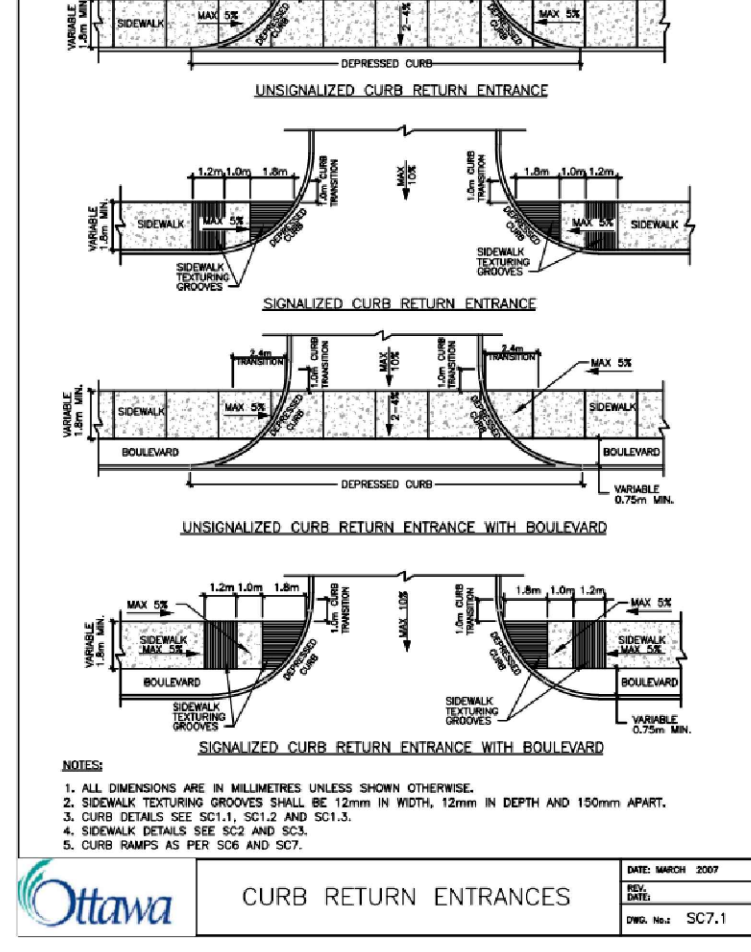
**4 WATERMAIN INSULATION**  
SCALE: NTS



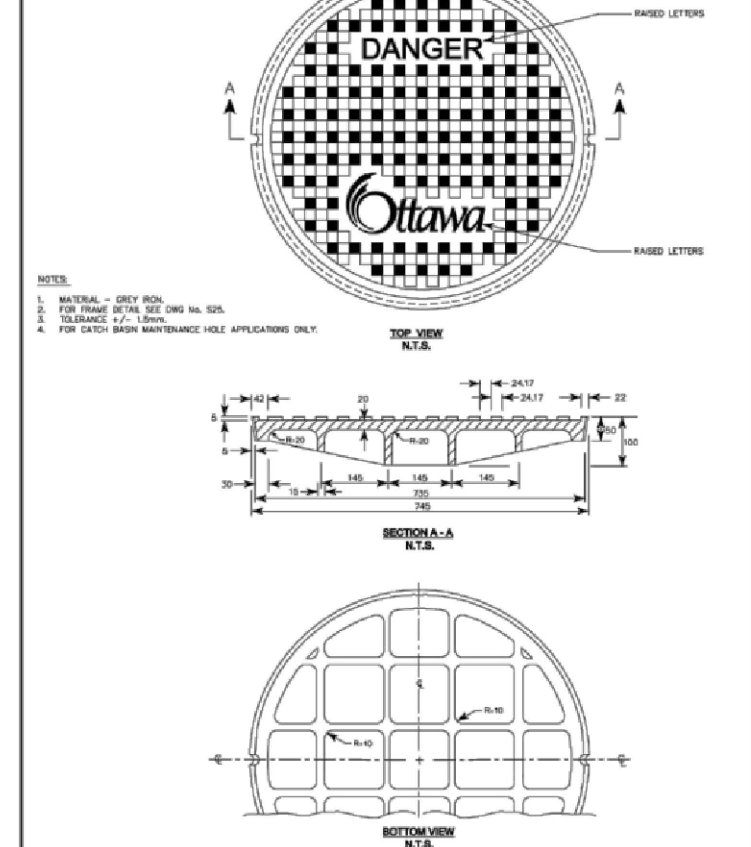
**5 TYP. SECTION THROUGH PAVEMENT**  
SCALE: NTS



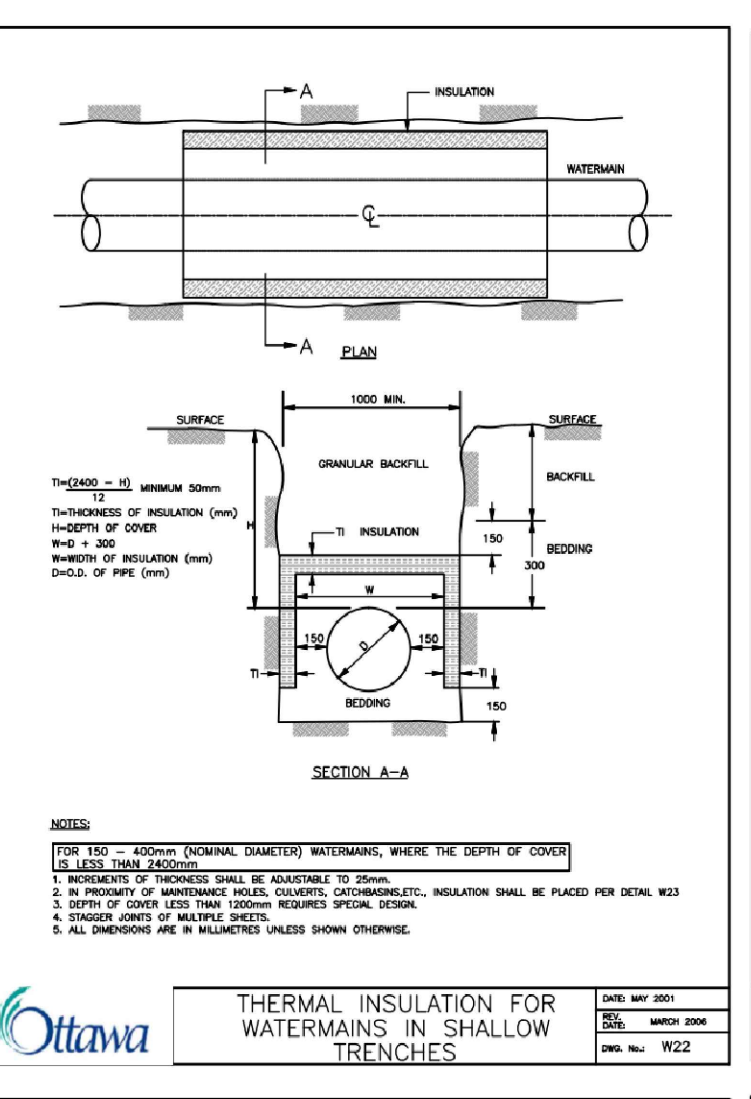
**CONCRETE BARRIER CURB FOR GRANULAR BASE PAVEMENT (MODIFIED OPSD-600.110)**  
SCALE: SCL.1



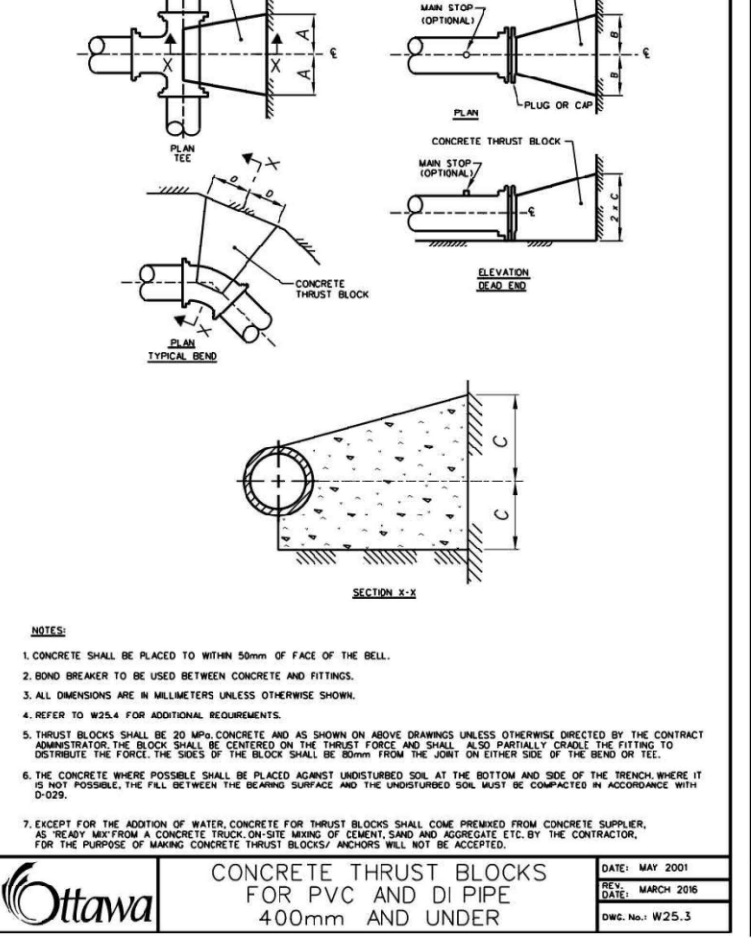
**CURB RETURN ENTRANCES**  
SCALE: SCL.1



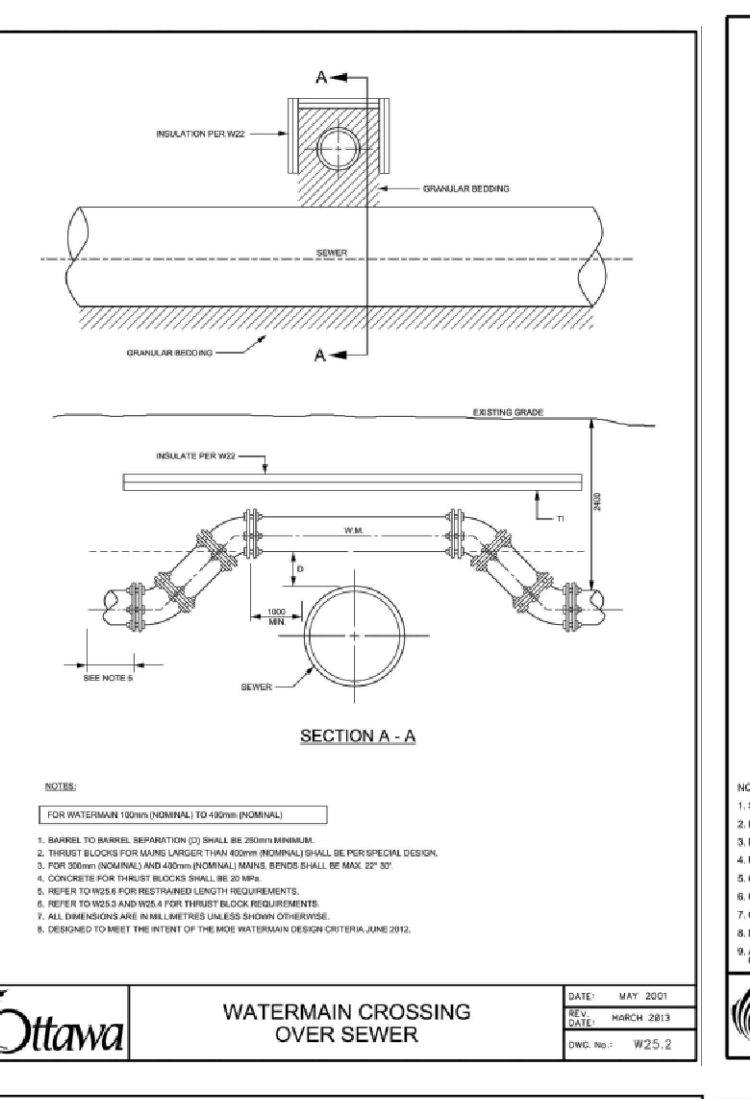
**CATCH BASIN MAINTENANCE HOLE COVER (MODIFIED OPSD-401.020)**  
SCALE: SCL.1



**THERMAL INSULATION FOR WATERMANS IN SHALLOW TRENCHES**  
SCALE: SCL.1



**CONCRETE THRUST BLOCKS FOR PVC AND DI PIPE 400mm AND UNDER**  
SCALE: SCL.1

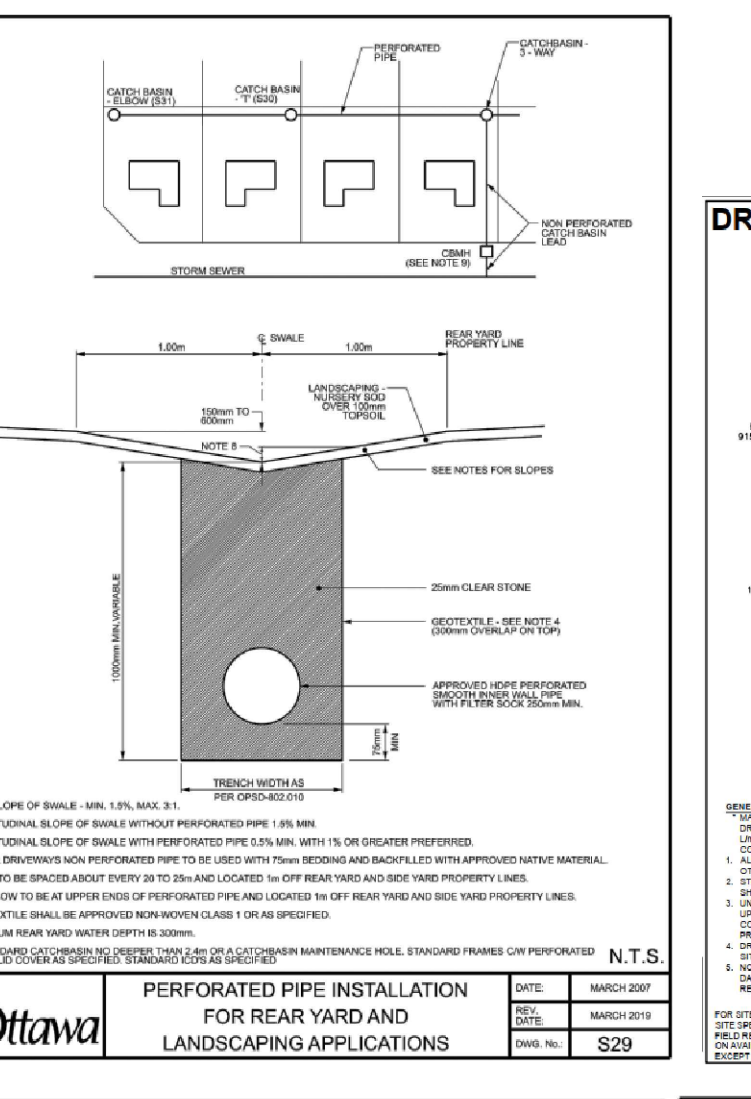


**WATERMAIN CROSSING OVER SEWER**  
SCALE: SCL.1

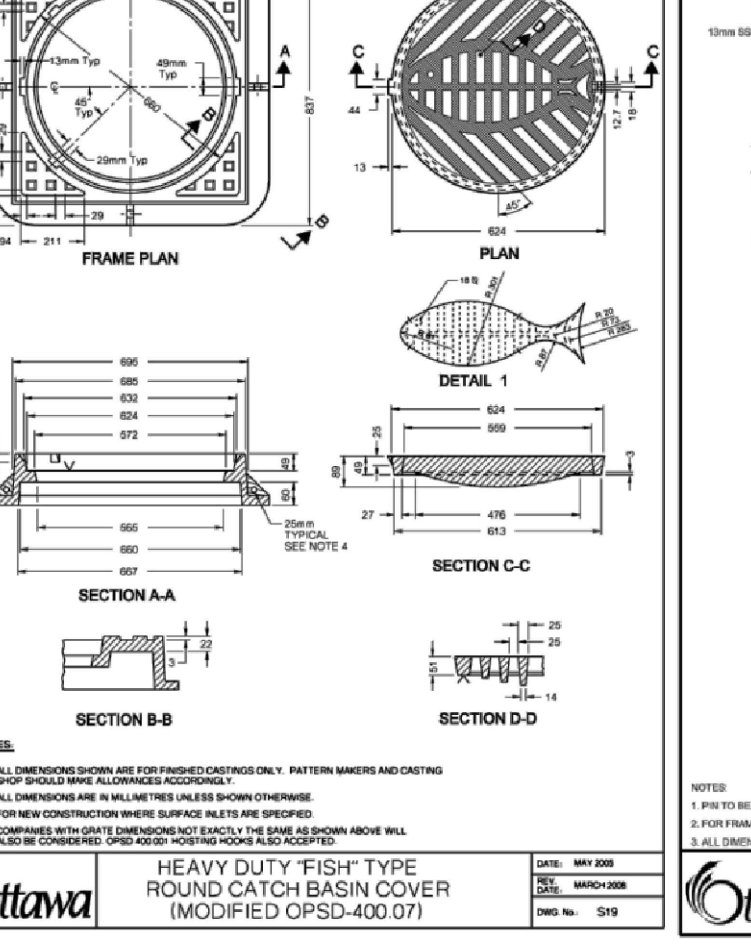
**THRUST BLOCK DIMENSION TABLES FOR PVC AND DI PIPE 400mm AND UNDER**

DIAMETER	DIMENSION NOTED ON VIEWS			
	A	B	C	D
100	200	200	200	200
150	300	300	300	300
200	400	400	400	400
254	500	500	500	500
305	600	600	600	600
406	750	750	750	750

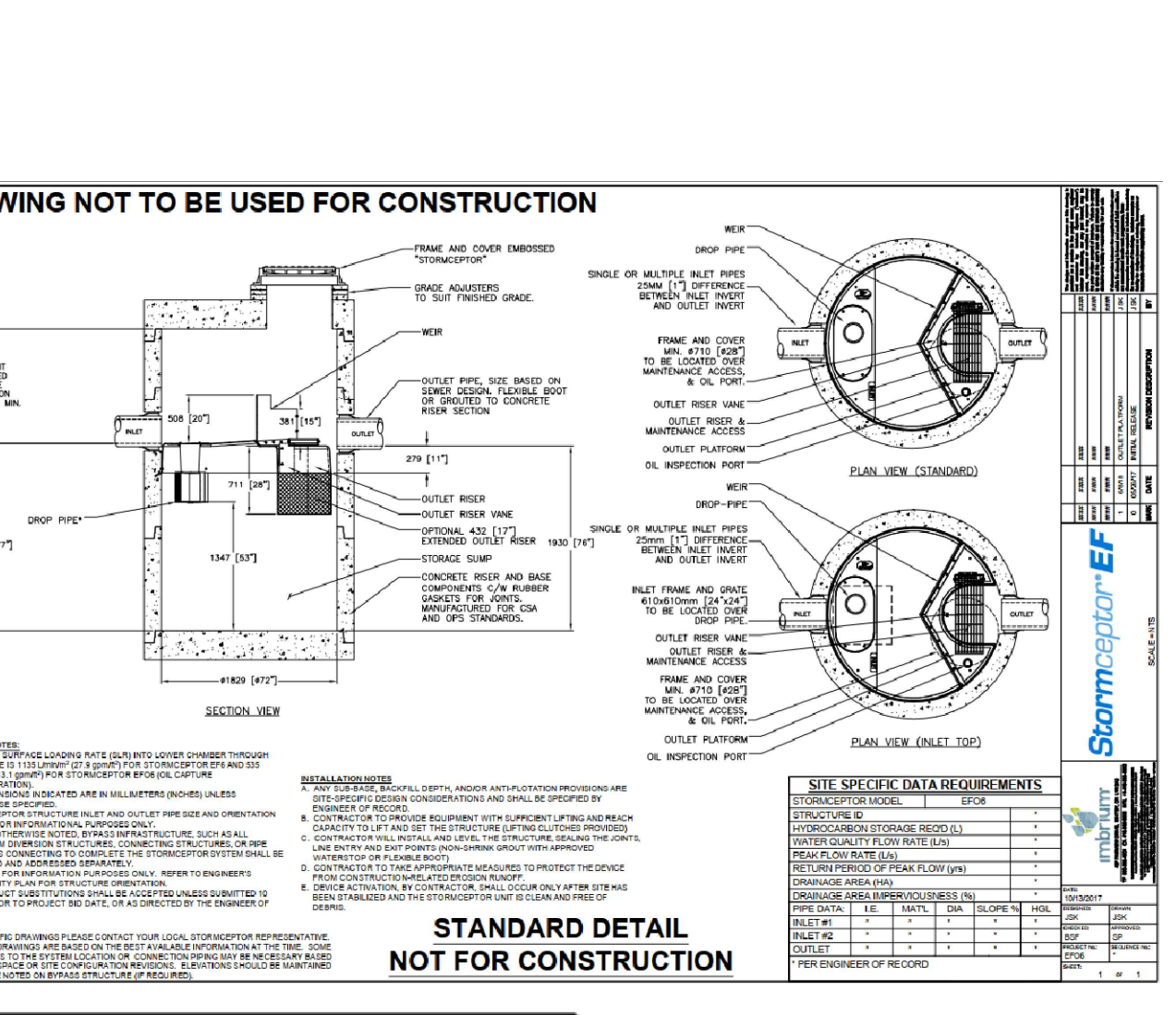
**THRUST BLOCK DIMENSION TABLES FOR PVC AND DI PIPE 400mm AND UNDER**  
SCALE: SCL.1



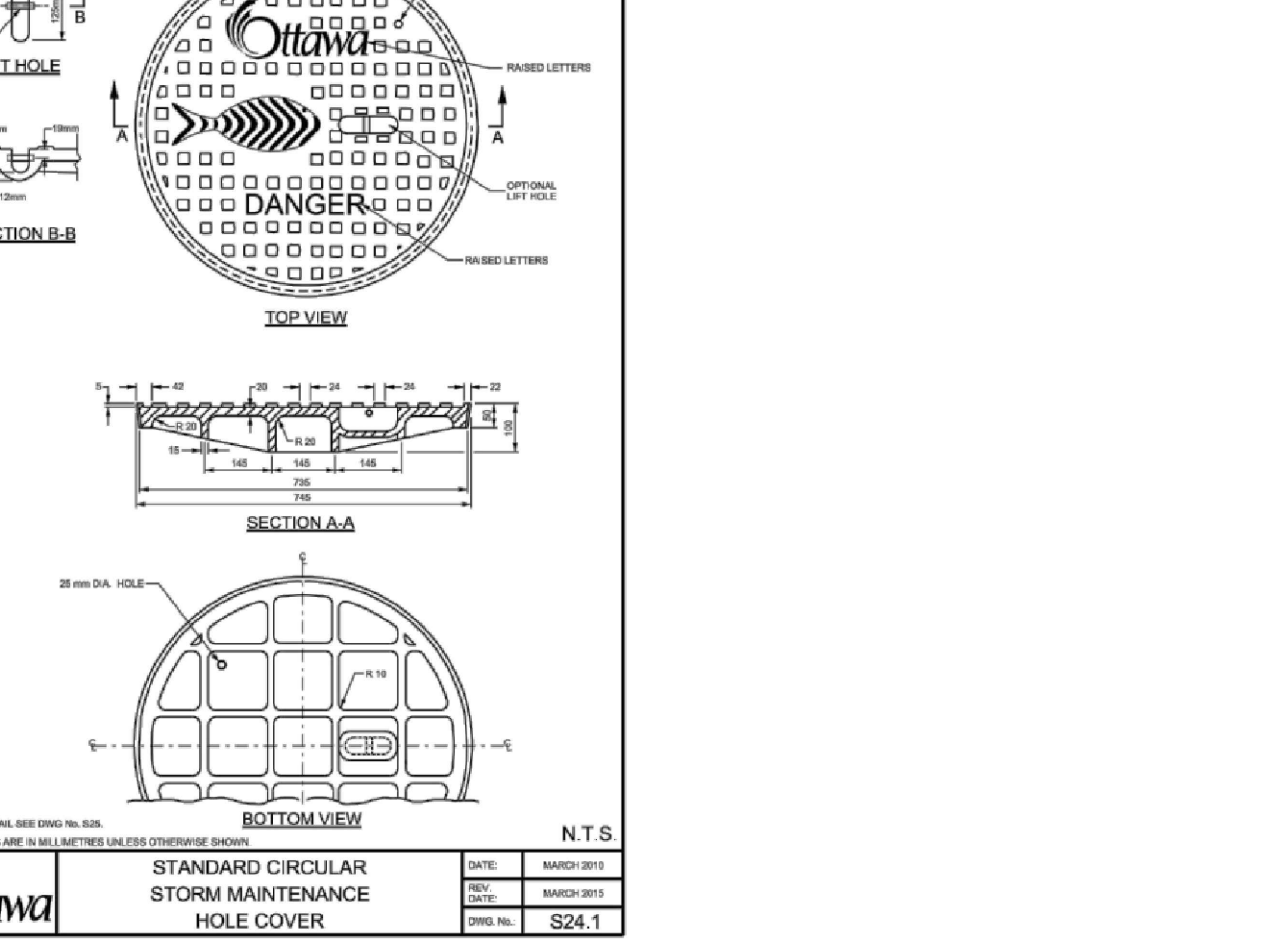
**PERFORATED PIPE INSTALLATION FOR REAR YARD AND LANDSCAPING APPLICATIONS**  
SCALE: SCL.1



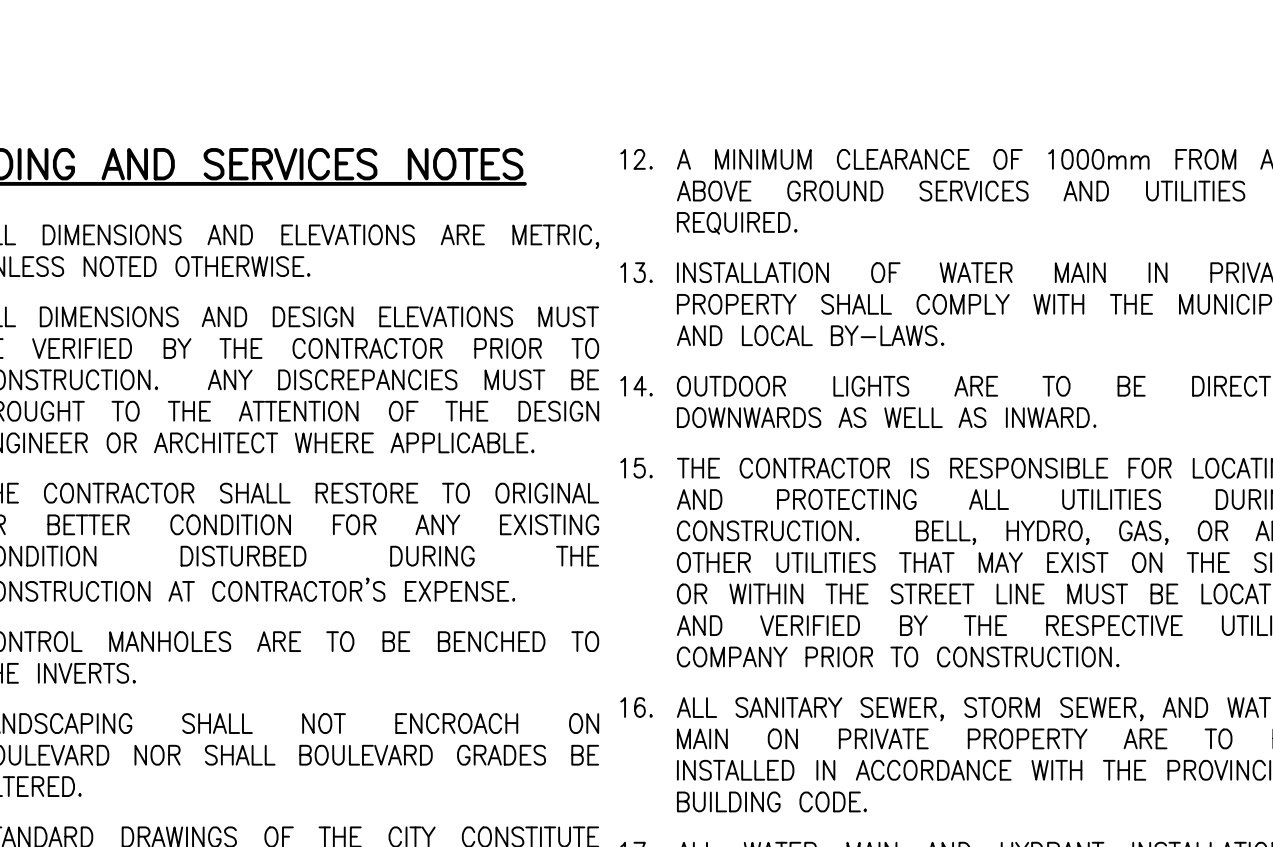
**HEAVY DUTY 'FISH' TYPE ROUND CATCH BASIN COVER (MODIFIED OPSD-400.07)**  
SCALE: SCL.1



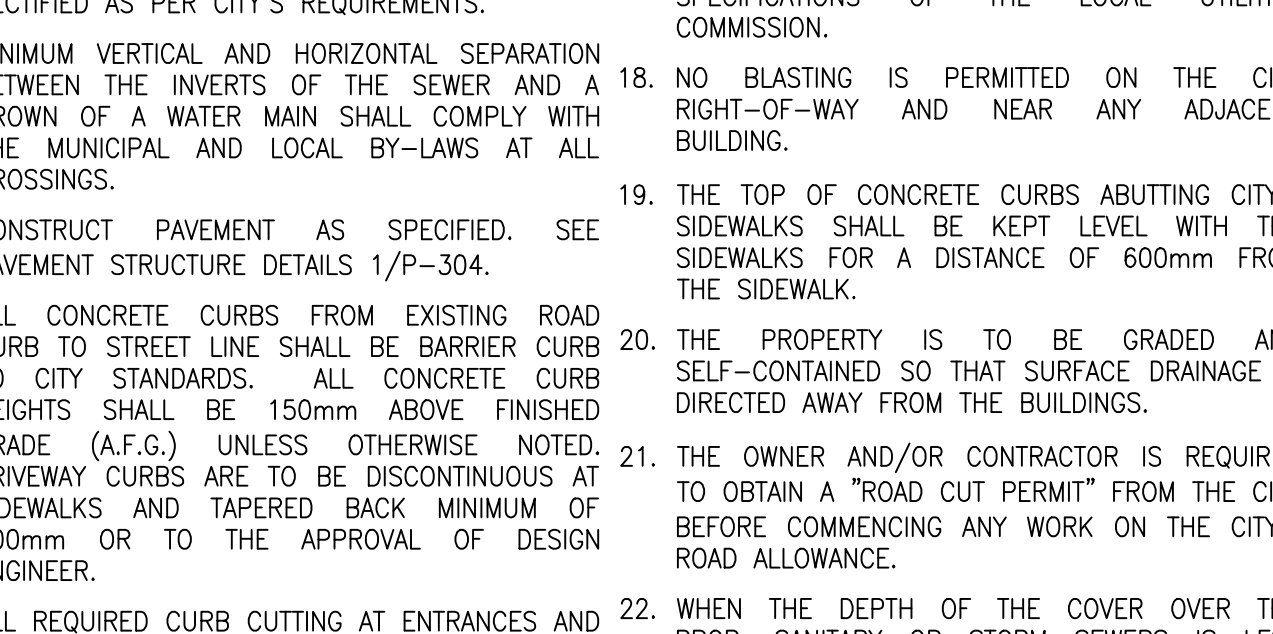
**STANDARD DETAIL NOT FOR CONSTRUCTION**  
SCALE: SCL.1



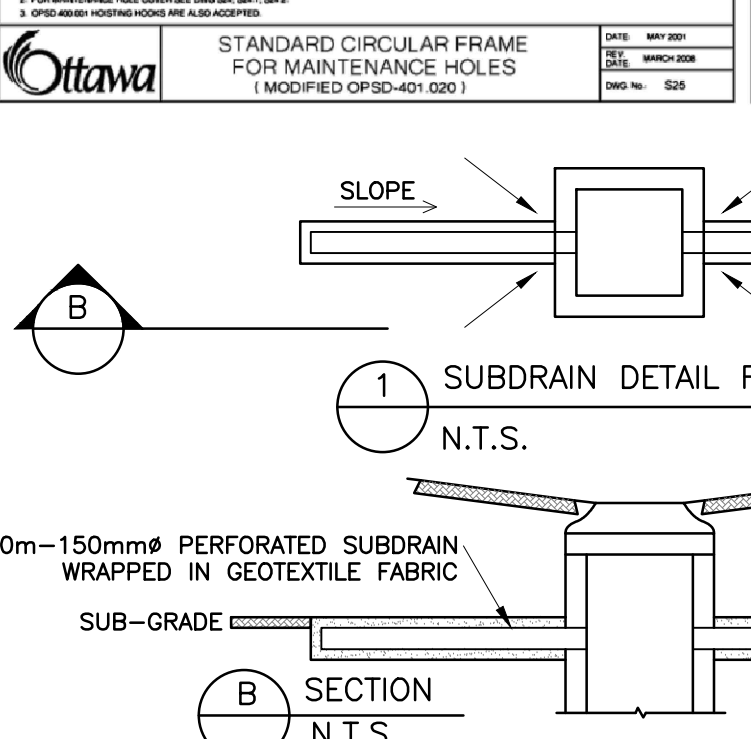
**STANDARD CIRCULAR STORM MAINTENANCE HOLE COVER**  
SCALE: SCL.1



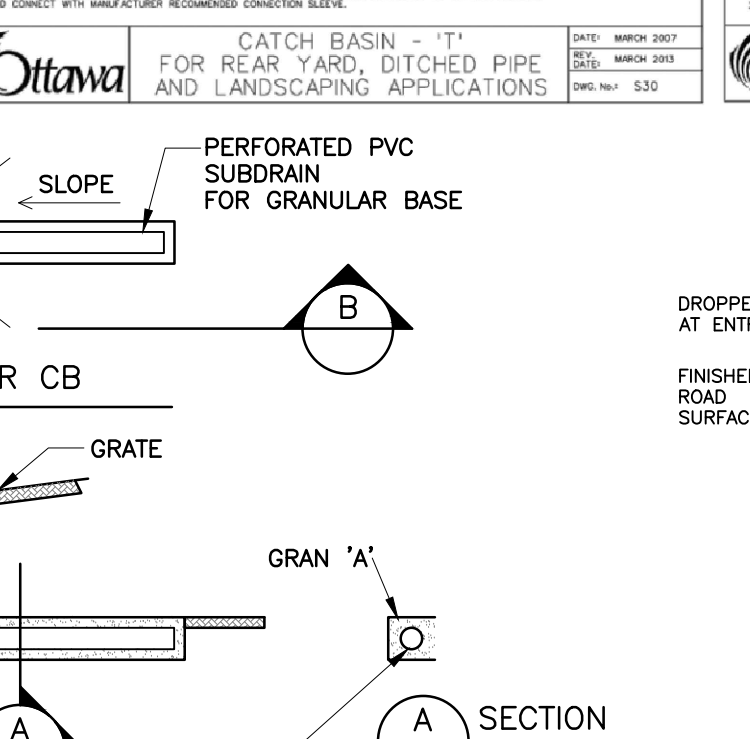
**CATCH BASIN - 'T' FOR REAR YARD, DITCHED PIPE AND LANDSCAPING APPLICATIONS**  
SCALE: SCL.1



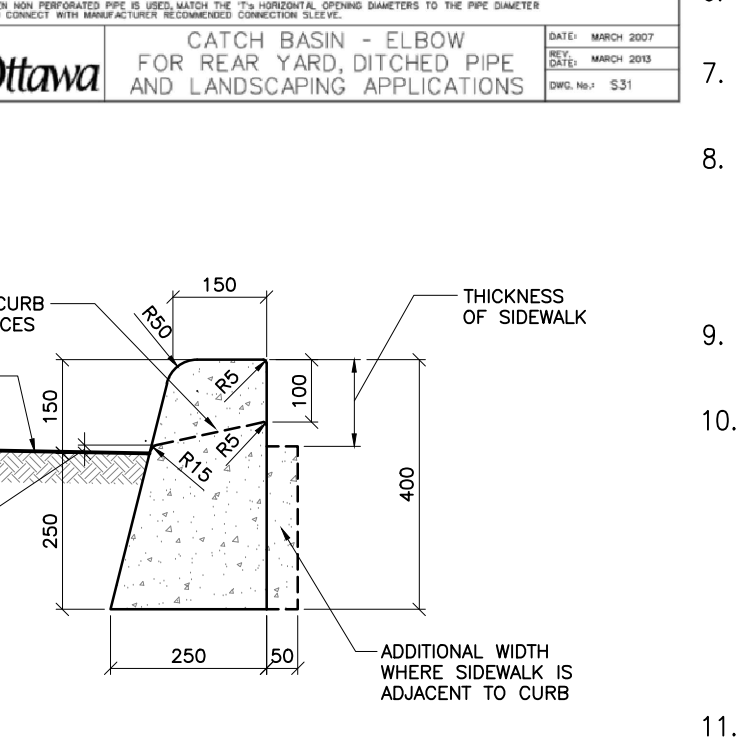
**CATCH BASIN - ELBOW FOR REAR YARD, DITCHED PIPE AND LANDSCAPING APPLICATIONS**  
SCALE: SCL.1



**SUBDRAIN DETAIL FOR CB**  
SCALE: N.T.S.



**SUBDRAIN DETAIL**  
SCALE: N.T.S.



**TYP. CURB SECTION**  
SCALE: NTS

**GRADING AND SERVICES NOTES**

- ALL DIMENSIONS AND ELEVATIONS ARE METRIC, UNLESS NOTED OTHERWISE.
- ALL DIMENSIONS AND DESIGN ELEVATIONS MUST BE VERIFIED BY THE CONTRACTOR PRIOR TO CONSTRUCTION. ANY DISCREPANCIES MUST BE BROUGHT TO THE ATTENTION OF THE DESIGN ENGINEER OR ARCHITECT WHERE APPLICABLE.
- THE CONTRACTOR SHALL RESTORE TO ORIGINAL OR BETTER CONDITION FOR ANY EXISTING CONDITION DISTURBED DURING THE CONSTRUCTION AT CONTRACTOR'S EXPENSE.
- CONTROL MANHOLES ARE TO BE BENCH TO THE INVERTS.
- LANDSCAPING SHALL NOT ENCRUSH ON BOULEVARD NOR SHALL BOULEVARD GRADES BE ALTERED.
- STANDARD DRAWINGS OF THE CITY CONSTITUTE PART OF THE PLANS OF THE CONTRACT.
- ANY CONFLICT WITH EXISTING SERVICES SHALL BE RECTIFIED AS PER CITY'S REQUIREMENTS.
- MINIMUM VERTICAL AND HORIZONTAL SEPARATION BETWEEN THE INVERTS OF THE SEWER AND A CROWN OF A WATER MAIN SHALL COMPLY WITH THE MUNICIPAL AND LOCAL BY-LAWS AT ALL CROSSINGS.
- CONSTRUCT PAVEMENT AS SPECIFIED. SEE PAVEMENT STRUCTURE DETAILS 1/P-304.
- ALL CONCRETE CURBS FROM EXISTING ROAD CURB TO STREET LINE SHALL BE BARRIER CURB TO CITY STANDARDS. ALL CONCRETE CURB HEIGHTS SHALL BE 150mm ABOVE FINISHED GRADE (A.F.G.) UNLESS OTHERWISE NOTED. DRIVEWAY CURBS ARE TO BE DISCONTINUOUS AT SIDEWALKS AND TAPERED BACK MINIMUM OF 300mm OR TO THE APPROVAL OF DESIGN ENGINEER.
- ALL REQUIRED CURB CUTTING AT ENTRANCES AND CURB DEPRESSIONS AT SIDEWALK CROSSINGS SHALL BE INSTALLED TO THE APPROVAL OF THE DESIGN ENGINEER.

**GRADING AND SERVICES NOTES**

- A MINIMUM CLEARANCE OF 1000mm FROM ALL ABOVE GROUND SERVICES AND UTILITIES IS REQUIRED.
- INSTALLATION OF WATER MAIN IN PRIVATE PROPERTY SHALL COMPLY WITH THE MUNICIPAL AND LOCAL BY-LAWS.
- OUTDOOR LIGHTS ARE TO BE DIRECTED DOWNWARDS AS WELL AS INWARD.
- THE CONTRACTOR IS RESPONSIBLE FOR LOCATING AND PROTECTING ALL UTILITIES DURING CONSTRUCTION. BELL, HYDRO, GAS, OR ANY OTHER UTILITIES THAT MAY EXIST ON THE SITE OR WITHIN THE STREET LINE MUST BE LOCATED AND VERIFIED BY THE RESPECTIVE UTILITY COMPANY PRIOR TO CONSTRUCTION.
- ALL SANITARY SEWER, STORM SEWER, AND WATER MAIN ON PRIVATE PROPERTY ARE TO BE INSTALLED IN ACCORDANCE WITH THE PROVINCIAL BUILDING CODE.
- ALL WATER MAIN AND HYDRANT INSTALLATIONS ARE TO BE CARRIED OUT IN ACCORDANCE WITH THE LATEST PLANS, STANDARDS, AND SPECIFICATIONS OF THE LOCAL UTILITIES COMMISSION.
- NO BLASTING IS PERMITTED ON THE CITY RIGHT-OF-WAY AND NEAR ANY ADJACENT BUILDING.
- THE TOP OF CONCRETE CURBS ABUTTING CITY'S SIDEWALKS SHALL BE KEPT LEVEL WITH THE SIDEWALKS FOR A DISTANCE OF 600mm FROM THE SIDEWALK.
- THE PROPERTY IS TO BE GRADED AND SELF-CONTAINED SO THAT SURFACE DRAINAGE IS DIRECTED AWAY FROM THE BUILDINGS.
- THE OWNER AND/OR CONTRACTOR IS REQUIRED TO OBTAIN A "ROAD CUT PERMIT" FROM THE CITY BEFORE COMMENCING ANY WORK ON THE CITY'S ROAD ALLOWANCE.
- WHEN THE DEPTH OF THE COVER OVER THE PROP. SANITARY OR STORM SEWERS IS LESS THAN 2.0m SEWER LINES ARE TO BE INSULATED. THE INSULATION TO BE STYROFOAM BRAND H.I. TYPE IV OR EQUAL.

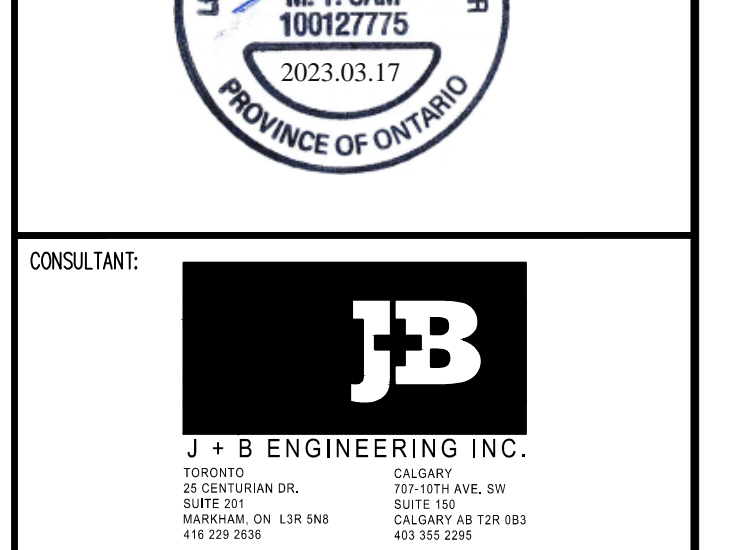
**REVISION TABLE**

REV.	DESCRIPTION	DATE	DRAWN	APP'D.
0	REVISED AS PER CITY COMMENTS	24 FEB 23	MJ	JS

**ISSUE TABLE**

TO	FOR	DATE
SUNCOR	FOR REVIEW	08 JUL 22
CITY	ISSUED FOR SPA	28 JUL 22
SUNCOR	FOR REVIEW	24 FEB 23
CITY	RE-ISSUED FOR SPA	17 MAR 23

**METRIC**  
ALL DIMENSIONS ARE IN MILLIMETRES U.N.O. CONTRACTOR TO CHECK/VERIFY ALL DIMENSIONS PRIOR TO COMMENCEMENT OF WORK. ALL DISCREPANCIES TO BE REPORTED TO THE PROJECT DESIGNER. DO NOT SCALE DRAWINGS.



**NOTES AND DETAILS**

PROJECT: **PROMENADE PALLADIUM DRIVE @ PROMENADE CAMPEAU DRIVE**  
OTTAWA, ON

DRAWN BY: BR  
DRAWING SCALE: 1:300  
DATE DRAWN: 2022-07-01  
CHECKED BY: JS  
APPROVED BY: JK

CAD NO.: D (559 x 864)  
PETRO-CANADA CAD FILE No.  
CONSULTANT CAD FILE No. 200258-P304  
PLOT SCALE 1:1  
PLOT DATE  
PLOT CONFIGURATION

STD No./OUTLET No. **10565** **P304**