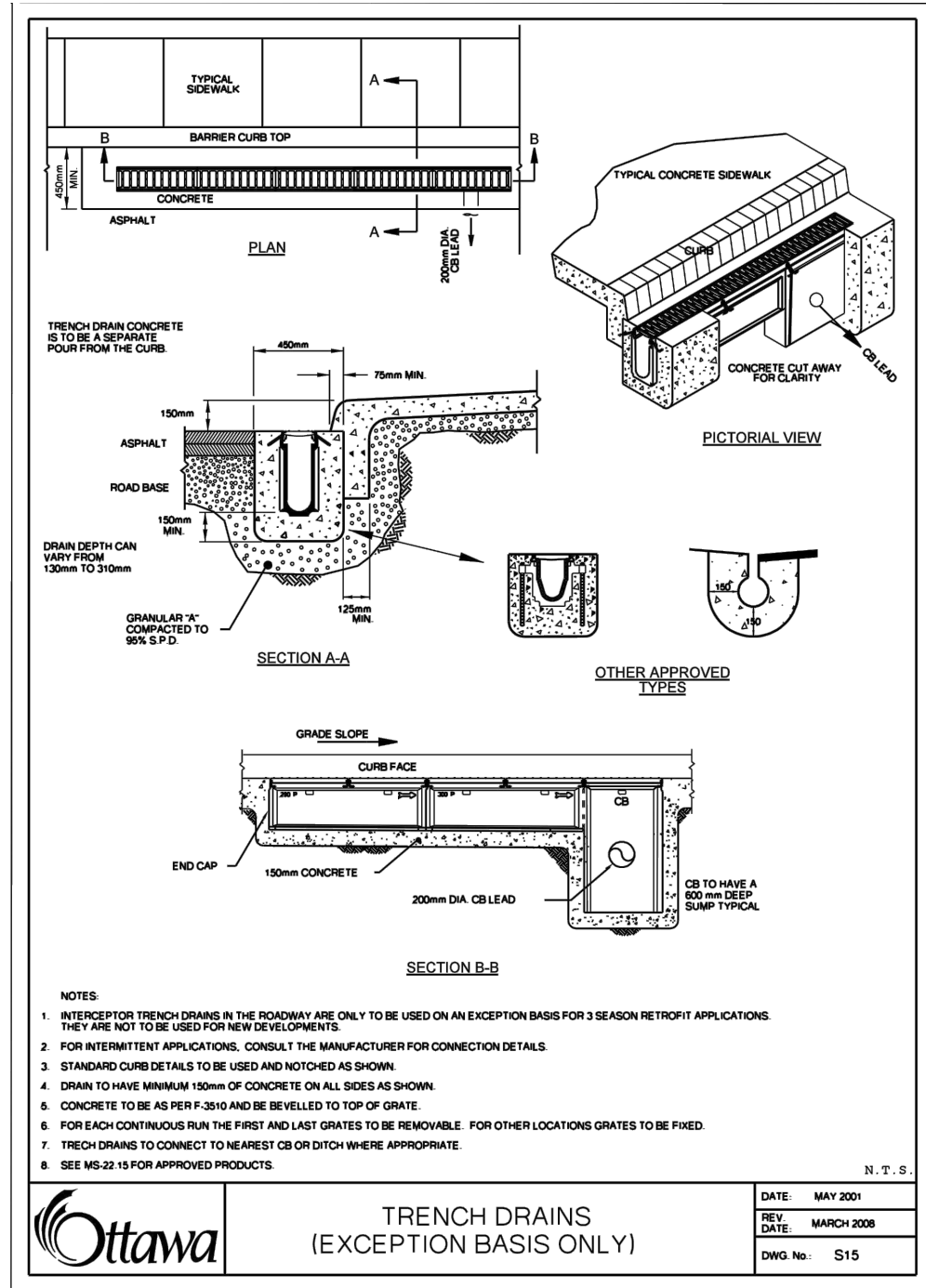


- GENERAL NOTES:**
- ALL DIMENSIONS AND INVERTS MUST BE VERIFIED PRIOR TO CONSTRUCTION, IF THERE IS ANY DISCREPANCY THE CONTRACTOR IS TO NOTIFY THE ENGINEER PROMPTLY.
  - THE CONTRACTOR IS RESPONSIBLE FOR LOCATING AND PROTECTING ALL UTILITIES DURING CONSTRUCTION. GAS, HYDRO, TELEPHONE OR ANY OTHER UTILITY THAT MAY EXIST ON SITE OR WITHIN THE ROAD ALLOWANCE MUST BE LOCATED BY ITS OWN UTILITIES AND VERIFIED.
  - TOPSOIL TO BE STRIPPED AND STOCKPILED FOR REHABILITATION. CLEAN FILL TO BE PLACED IN FILL AREAS AND COMPACTED TO 95% STANDARD PROCTOR DENSITY.
  - ALL UNDERGROUND SERVICES, MATERIALS AND INSTALLATIONS TO BE IN ACCORDANCE WITH THE CURRENT STANDARDS AND CODES OF THE TOWN AND PROVINCE.
  - ALL DISTURBED AREAS TO BE RESTORED TO ORIGINAL CONDITION OR BETTER UNLESS OTHERWISE SPECIFIED.
  - CONTRACTOR IS RESPONSIBLE FOR ALL LAYOUT FOR CONSTRUCTION PURPOSES. THESE DRAWINGS ARE BASED ON LEGAL DRAWINGS PROVIDED BY THE TOWN OF CARLETON PLACE. LEGAL BOUNDARIES SHOWN ARE THE PLANS ARE APPROXIMATE ONLY AND MUST BE CONFIRMED BY THE CONTRACTOR.
  - THE ORIGINAL TOPOGRAPHY AND GROUND ELEVATIONS, SERVICING AND SURVEY DATA SHOWN ON THIS PLAN ARE SUPPLIED FOR INFORMATION PURPOSES ONLY. IT SHALL BE THE RESPONSIBILITY OF THE CONTRACTOR TO VERIFY THE ACCURACY OF ALL INFORMATION OBTAINED FROM THESE PLANS.
  - CONNECT TO EXISTING SERVICES AS DETAILED. INCLUDE ALL RESTORATION WORK IF NECESSARY TO REINSTATE SURFACES TO THE CONDITION THAT EXISTED PRIOR TO CONSTRUCTION OR BETTER.
  - DETERMINE THE EXACT LOCATION, SIZE, MATERIAL AND ELEVATION OF ALL EXISTING UTILITIES PRIOR TO COMMENCING CONSTRUCTION. PROTECT AND ASSUME ALL RESPONSIBILITY FOR EXISTING UTILITIES WHETHER OR NOT SHOWN ON THESE DRAWINGS. IF THERE IS ANY DISCREPANCY THE CONTRACTOR IS TO NOTIFY THE ENGINEER PROMPTLY.
  - CONTRACTOR TO OBTAIN AND PAY FOR ALL NECESSARY PERMITS AND APPROVALS FROM THE TOWN BEFORE COMMENCING CONSTRUCTION.
  - RESTORE ALL TRENCHES AND SURFACES OF PUBLIC ROAD ALLOWANCES TO CONDITION EQUAL OR BETTER THAN ORIGINAL CONDITION AND TO THE SATISFACTION OF TOWN AUTHORITIES.
  - ALL EXCESS MATERIAL GENERATED DURING EXCAVATION ACTIVITIES SHALL BE STOCKPILED ON SITE AT AN APPROVED LOCATION. NO OFF-SITE HAULING OF EXCESS MATERIAL IS REQUIRED.
  - ALL ELEVATIONS ARE GEODETIC AND UTILIZE METRIC TRENCH UNITS UNLESS OTHERWISE NOTED.
  - TEMPORARY SEDIMENT CONTROL (FILTER CLOTH UNDER GRATE OR COVER) TO BE IMPLEMENTED DURING CONSTRUCTION ON ALL PROPOSED ROAD CATCHBASINS, REARWARD CATCHBASINS AND CATCHBASIN MANHOLES. NO RECYCLED GEOTEXTILE MATERIAL SHALL BE PERMITTED FOR USE ON SITE.
  - MONOLITHIC CONCRETE SIDEWALKS AS PER CITY OF OTTAWA SC2. CONCRETE BARRIER CURB AS PER CITY OF OTTAWA SC1.1.

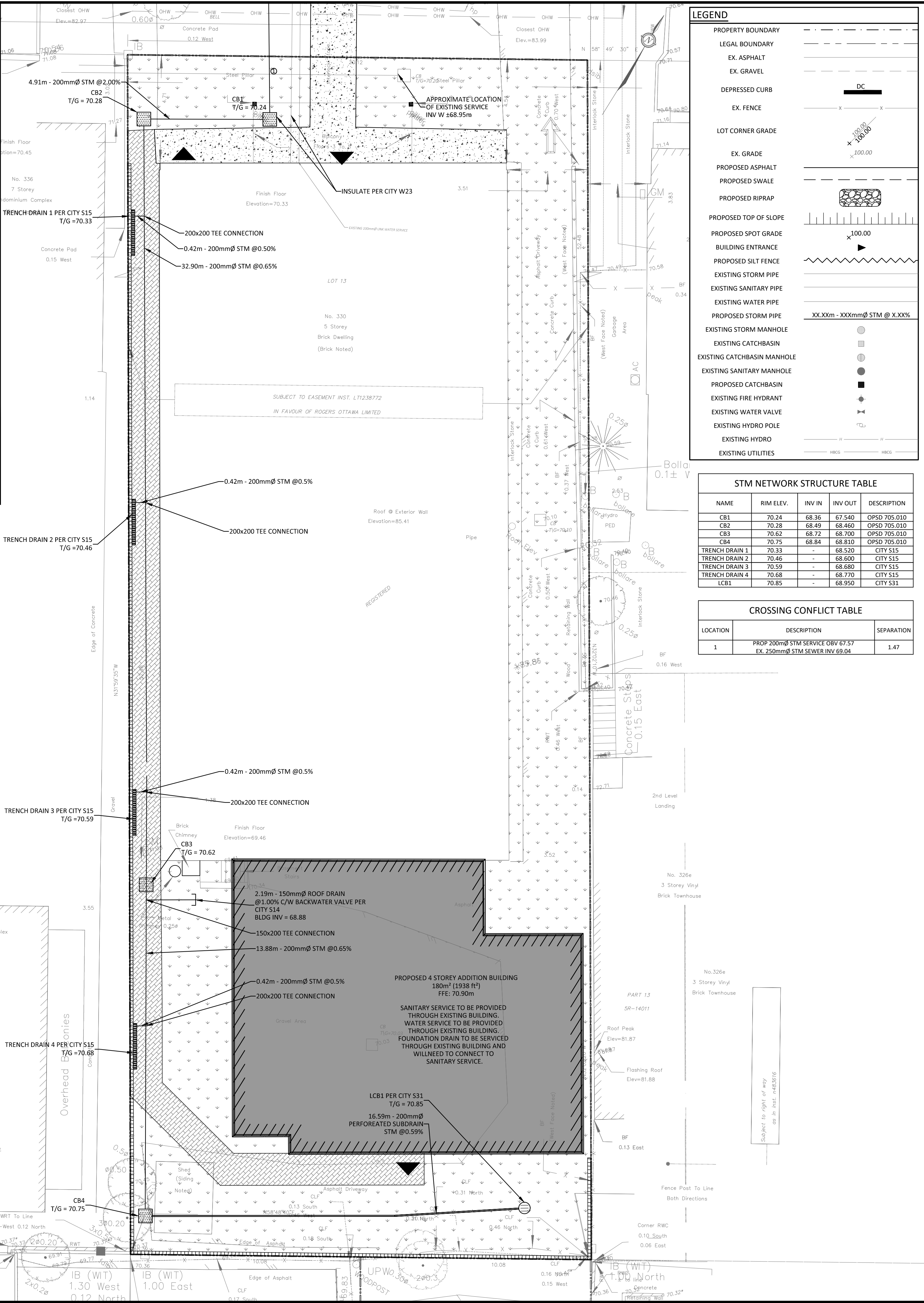
- SEWER NOTES:**
- CONSTRUCT ALL SEWERS, CATCH BASINS, MANHOLES AND APPURTENANCES IN ACCORDANCE WITH OPSD STANDARDS AND SPECIFICATIONS, AS WELL AS CITY.
  - SEWER TRENCHING AND BEDDING SHALL CONFORM TO OPSD 802.010 AND 802.013 UNLESS NOTED OTHERWISE.
    - BEDDING SHALL BE A MINIMUM 150mm OF GRANULAR "A", COMPACTED TO MINIMUM 95% STANDARD PROCTOR DRY DENSITY. CLEAR STONE BEDDING SHALL NOT BE PERMITTED.
    - SUB-BEDDING, IF REQUIRED SHALL CONSIST OF 450mm OF COMPACTED GRANULAR "B" TYPE 1.
    - BACKFILL TO AT LEAST 300mm ABOVE TOP OF PIPE WITH GRANULAR "A" OR GRANULAR "B" TYPE 1.
    - TO MINIMIZE DIFFERENTIAL FROST HEAVING, TRENCH BACKFILL (FROM PAVEMENT SUBGRADE TO 2.0 METRES BELOW FINISHED GRADE) SHALL MATCH EXISTING SOIL CONDITIONS.
  - SANITARY SEWERS AND CONNECTIONS 150mmØ AND SMALLER TO BE PVC SDR-28.
  - SEWERS AND CONNECTIONS 200mmØ AND LARGER TO BE PVC SDR-35. BEDDING TO BE TYPE "B" EXCEPT AT RISERS, UNLESS NOTED OTHERWISE.
  - INSULATE ALL STORM AND SANITARY SEWERS/SERVICES THAT HAVE LESS THAN 1.5m OF COVER WITH THERMAL INSULATION AS PER OPSD 1109.030.
  - SEWER CONNECTIONS ARE TO BE MADE ABOVE THE SPRINGLINE OF THE SEWERMAIN AS PER CITY OF OTTAWA STANDARD DRAWING S11, S11.1 & S11.2.
  - SUPPLY AND INSTALL ALL PIPING AND APPURTENANCES AS SHOWN AND DETAILED TO WITHIN 1.0m OF BUILDING. ALL ENDS OF SERVICES TO BE PROPERLY CAPPED AND LOCATED WITH 2"x4"x8" LONG MARKER.
  - CONTRACTOR TO TELETYPE (CCTV) ALL PROPOSED SEWERS ON SITE. OUTLET CONNECTION TO THE MAIN AND PIPES 150mmØ OR GREATER PRIOR TO BASE COURSE ASPHALT. UPON COMPLETION OF CONTRACT, THE CONTRACTOR IS RESPONSIBLE TO FLUSH AND CLEAN ALL SEWERS & APPURTENANCES.
  - DYE TESTING IS TO BE COMPLETED ON SANITARY SERVICE TO CONFIRM PROPER CONNECTION TO SANITARY SEWER MAIN.



**ROOF CONTROLS TABLE**

ONE WATTS ADJUSTABLE ACCUTROL WEIR - FULLY EXPOSED

	5-YEAR	100-YEAR		5-YEAR	100-YEAR
RESTRICTED FLOW	0.38 l/s	RESTRICTED FLOW	0.76 l/s		
PONDING DEPTH	0.03 m	PONDING DEPTH	0.06 m		
STORAGE REQUIRED	3.97 m³	STORAGE REQUIRED	7.32 m³		
STORAGE PROVIDED	4.04 m³	STORAGE PROVIDED	8.09 m³		



**LEGEND**

- PROPERTY BOUNDARY
- LEGAL BOUNDARY
- EX. ASPHALT
- EX. GRAVEL
- DEPRESSED CURB
- EX. FENCE
- LOT CORNER GRADE
- EX. GRADE
- PROPOSED ASPHALT
- PROPOSED SWALE
- PROPOSED RIPRAP
- PROPOSED TOP OF SLOPE
- PROPOSED SLOPE GRADE
- BUILDING ENTRANCE
- PROPOSED SILT FENCE
- EXISTING STORM PIPE
- EXISTING SANITARY PIPE
- EXISTING WATER PIPE
- PROPOSED STORM PIPE
- EXISTING STORM MANHOLE
- EXISTING CATCHBASIN
- EXISTING CATCHBASIN MANHOLE
- EXISTING SANITARY MANHOLE
- PROPOSED CATCHBASIN
- EXISTING FIRE HYDRANT
- EXISTING WATER VALVE
- EXISTING HYDRO POLE
- EXISTING HYDRO
- EXISTING UTILITIES

**STM NETWORK STRUCTURE TABLE**

NAME	RIM ELEV.	INV IN	INV OUT	DESCRIPTION
CB1	70.24	68.36	67.540	OPSD 705.010
CB2	70.28	68.49	68.460	OPSD 705.010
CB3	70.62	68.72	68.700	OPSD 705.010
CB4	70.75	68.84	68.810	OPSD 705.010
TRENCH DRAIN 1	70.33	-	68.520	CITY S15
TRENCH DRAIN 2	70.46	-	68.600	CITY S15
TRENCH DRAIN 3	70.59	-	68.680	CITY S15
TRENCH DRAIN 4	70.88	-	68.770	CITY S15
LCB1	70.85	-	68.950	CITY S31

**CROSSING CONFLICT TABLE**

LOCATION	DESCRIPTION	SEPARATION
1	PROP 200mmØ STM SERVICE ØBV 67.57 EX. 250mmØ STM SEWER INV 69.04	1.47

**ELEVATIONS**

ALL ELEVATIONS SHOWN ON THE PLAN ARE RELATIVE TO THE FINISHED FLOOR ELEVATION (FFE) OF THE EXISTING BUILDING ON SITE. CONTRACTOR SHALL CONFIRM ALL ELEVATIONS SHOWN PRIOR TO CONSTRUCTION

**DISCLAIMER**

LOCATIONS OF ANY UTILITIES AND UNDERGROUND SERVICES ON THE PLAN ARE PROVIDED FOR INFORMATION PURPOSES ONLY AND MAY DIFFER FROM WHAT IS EXISTING. CONTRACTOR IS RESPONSIBLE FOR ALL ON-SITE LOCATES AND WILL BE RESPONSIBLE SHOULD ANY INFRASTRUCTURE BE DAMAGED IN ANY WAY. MCINTOSH PERRY AND THE OWNER SHALL NOT BE RESPONSIBLE FOR DAMAGES ON ACCOUNT OF ANY DISCREPANCIES SHOWN ON THE PLAN.

**BENCHMARKS:**

No.	DESCRIPTION	ELEVATION
BM	TOP SPINDLE OF FIRE HYDRANT	71.24m



No.	Revision/Issue	Date
01	ISSUED FOR MUNICIPAL REVIEW	2022.07.20
00	ISSUED FOR REVIEW	2021.10.04

Check and verify all dimensions before proceeding with the work. Do not scale drawings.

**McINTOSH PERRY**  
 115 Walgreen Road, RR3, Carp, ON K0A 1L0  
 Tel: 613-836-2184 Fax: 613-836-3742  
 www.mcintoshperry.com

Stamp:

Stamp:

Client: **SMART LIVING PROPERTIES**  
 226 ARGYLE AVENUE  
 OTTAWA, ONTARIO, K2P 1B9

Project: **330 MCLEOD STREET**

OTTAWA ONTARIO

Drawing Title: **SERVICING PLAN**

Scale: 1:100	Project Number: CCO-22-1647
Drawn by: M.M.	Checked by: A.J.G.
Checked by: A.J.G.	Designed by: A.J.G.

**C102**