

1 SITE PLAN
SP-E01 1:500

Description	Symbol	Avg	Max	Min	Max/Min	Avg/Min
Drive Isle	+	7.0 fd	13.1 fd	2.7 fc	4.9:1	2.6:1
Drive Thru	+	10.2 fd	23.8 fd	1.6 fc	14.9:1	6.4:1
Existing Entrance	+	2.7 fd	12.1 fd	0.3 fc	40.3:1	9.0:1
Existing Parking Lot	+	5.8 fd	20.3 fd	0.8 fc	25.4:1	7.3:1
New Parking Lot	+	6.2 fd	30.6 fd	0.4 fc	76.5:1	15.5:1
Food Store Loading Dock	+	3.0 fd	5.7 fd	1.7 fc	3.4:1	1.8:1
Off Property	+	0.1 fd	0.5 fd	0.0 fc	N/A	N/A

ELECTRICAL LEGEND

'BB-1'	WALL MOUNTED FIXTURE, LETTER DENOTES TYPE.
DD-1	DOWNLIGHT FIXTURE.
'1-AA1'	NEW/RELOCATED EXTERIOR LIGHT STANDARD FIXTURE. LETTER DENOTES TYPE.
'1-AA1'	EXISTING TO REMAIN EXTERIOR LIGHT STANDARD FIXTURE. LETTER DENOTES TYPE.
---	U/G RACEWAY FOR POWER SERVICES.
HH	PRECAST HANDHOLE.
⊗	ROUND PRECAST BOLLARD C/W BACK-TO-BACK 5-20R, GFI, WP RECEPTACLES.
⊠	JUNCTION BOX.
⊞	TRANSFORMER (RATED AS SHOWN).
⊞	DISCONNECT SWITCH.
⊞	UTILITY METER BASE (PROVIDED BY HYDRO ONE AND INSTALLED BY THIS CONTRACTOR).
---	U/G RACEWAY FOR COMMUNICATION SERVICES.

ABBREVIATIONS:
 HT - HEIGHT
 GFI - GROUND FAULT INTERRUPTER
 WP - WEATHER PROOF
 U.O.N. - UNLESS OTHERWISE NOTED
 N.T.S. - NOT TO SCALE
 N.I.C. - NOT IN CONTRACT
 C/W - COMPLETE WITH
 U/G - UNDER GROUND

POW - POWER SERVICES
 COMMS - COMMUNICATION SERVICES
 AFF - ABOVE FINISHED FLOOR
 RL - DENOTES EXISTING ITEM TO BE RELOCATED IN NEW POSITION

ELECTRICAL DRAWING LIST

DRAWING No.	DESCRIPTION
SP-E01	ELECTRICAL: LEGEND, DRAWING LIST AND SITE PLAN
SP-E02	ELECTRICAL: MCDONALD'S DRIVE-THRU AND IRRIGATION CONDUITS, DETAILS AND SCHEDULES
SP-E03	ELECTRICAL: DETAILS AND SINGLE LINE DIAGRAMS

- ### GENERAL NOTES
- ROUTING OF THE INCOMING BURIED SERVICES IS A PROPOSED DIAGRAMMATIC ROUTING. COORDINATE WITH CIVIL DRAWINGS, LANDSCAPE DRAWINGS, AND HYDRO ONE ON SITE PRIOR TO COMMENCING WORK TO FINALIZE ROUTING.
 - THE UTILITY CONTRACTOR SHALL MAKE ARRANGEMENTS FOR A SITE MEETING WITH THE GENERAL CONTRACTOR, HYDRO ONE AND THE ELECTRICAL CONTRACTOR PRIOR TO INSTALLATION OF BUILDING POWER SUPPLY INFRASTRUCTURE. THE PURPOSE OF THE MEETING IS TO COORDINATE THE WORK, REVIEW THE RESPONSIBILITIES OF HYDRO ONE THE GENERAL CONTRACTOR, THE UTILITY CONTRACTOR AND THE ELECTRICAL CONTRACTOR TO ENSURE THAT THE INSTALLATION OF THE TRANSFORMER AND CABLE DUCTS ADHERE TO HYDRO ONE SPECIFICATIONS AND ESA REQUIREMENTS.
 - SITE CONDUITS FOR LIGHTING AND RECEPTACLES ARE NOT SHOWN. UTILITY AND ELECTRICAL CONTRACTORS ARE TO PROVIDE LAYOUT AND COORDINATE.
 - PROVIDE MINIMUM #8 AWG CONDUCTOR SIZE FOR SITE LIGHTING. ALL LIGHTING CONDUITS SHALL BE MINIMUM 53mm RIGID PVC.
 - SIZE RECEPTACLE CONDUCTORS FOR VOLTAGE DROP AT 80% CIRCUIT LOADING AND PROVIDE A MINIMUM WIRE SIZE OF #10 AWG.
 - ALL LIGHTING CIRCUITS ARE FED FROM PANEL A U.O.N. LOCATED IN RETAIL 'A' MAIN ELECTRICAL ROOM.
 - CIRCUITS SHOWN FOR EXISTING LIGHTING STANDARDS ARE BASED ON EXISTING DRAWINGS AND PANEL SCHEDULES AND ARE FOR REFERENCE ONLY.
 - PROVIDE 53MM DUCT CONNECTING ALL LIGHT STANDARDS WITHIN MCDONALD'S SCOPE OF WORK TO WITHIN 1.5M OF MCDONALD'S MAIN ELECTRICAL ROOM. FIXTURES TO BE WIRED BY TENANT CONTRACTOR.

- ### DRAWING NOTES
- EXISTING HYDRO POLE. PROVIDE FOUR PVC CONDUITS AND CABLE GUARDS AS PER HYDRO ONE DETAIL DU-08-302.1 TERMINATE CONCRETE ENCLOSED DUCT BANK 1.5M FROM POLE. PROVIDE 2/0 ALUMINUM CONCENTRIC NEUTRAL 28KV CABLES FROM PADMOUNT TRANSFORMER TO POLE. COIL 20m OF PRIMARY CABLES AT POLE; HYDRO ONE SHALL CONNECT PRIMARY CABLES TO 27.6KV LINE AT POLE.
 - PROVIDE PRECAST BASE AND PAD FOR NEW HYDRO OWNED 500KVA TRANSFORMER. REFER TO HYDRO ONE DETAIL DU-09-202. PROVIDE PRIMARY GROUNDING AND BOLLARDS AS PER HYDRO ONE STANDARDS. REFER TO DETAILS DU-03-212 AND DU-14-101. COORDINATE WORK WITH HYDRO ONE AND INSPECTION AUTHORITY.
 - PROVIDE HANDHOLE TO INTERCEPT EXISTING LIGHTING AND PYLON SIGN CIRCUITS WITHIN EXISTING BELOW GRADE DUCT. PROVIDE NEW DUCT AND EXTEND CIRCUITS AS SHOWN TO CONNECT NEW LIGHT AND SIGN.
 - PROVIDE HANDHOLE TO INTERCEPT LIGHTING CIRCUIT WITHIN EXISTING BELOW GRADE DUCT. PROVIDE NEW WIRING AND DUCT TO CONNECT NEW/RELOCATED PARKING LOT FIXTURES AS INDICATED.
 - VENTILATED WEATHERPROOF CABINET MOUNTED ON POLE. REFER TO DETAILS.
 - LOCATION OF 3x75KVA POLE MOUNTED TRANSFORMERS BY HYDRO ONE ON EXISTING HYDRO POLE. TERMINATE DUCT BANK 1.5m FROM POLE. PROVIDE 103mm RIGID PVC DUCT FROM POLE BASE TO TRANSFORMER, PROVIDE WEATHERHEAD TO SUIT.
 - MOUNT 5-20R, WP, GFI RECEPTACLES FOR SEASONAL DECORATIONS ON ARLINGTON INDUSTRIES GP198-1 GARD-N POST. EXACT LOCATIONS TO BE COORDINATED WITH LANDSCAPE CONTRACTOR ONSITE.
 - PROVIDE HANDHOLE TO INTERCEPT BANK "DO NOT ENTER" SIGN CIRCUIT. PROVIDE NEW WIRING FROM BANK ELECTRICAL ROOM AND DUCT TO CONNECT RELOCATED SIGN AS INDICATED. TRACE 120V CIRCUIT PRIOR TO RELOCATING. REMOVE REDUNDANT WIRING BACK TO SOURCE AND ABANDON REDUNDANT DUCT. COORDINATE ACCESS TO ELECTRICAL ROOM WITH BOIS.
 - WORK SHOWN WITHIN THIS BORDER IS TO BE PRICED UNDER MCDONALD'S FORM OF TENDER.

THESE DESIGN DOCUMENTS ARE PREPARED SOLELY FOR THE USE BY THE PARTY WITH WHOM THE DESIGN PROFESSIONAL HAS ENTERED INTO A CONTRACT AND THERE ARE NO REPRESENTATIONS OF ANY KIND MADE BY THE DESIGN PROFESSIONAL TO ANY PARTY WITH WHOM THE DESIGN PROFESSIONAL HAS NOT ENTERED INTO A CONTRACT.

THE PAPER COPY OF THE DRAWINGS ISSUED FOR BUILDING PERMIT AND/OR TENDER WILL TAKE PRECEDENCE OVER ELECTRONIC COPIES.

REVISION No.	DESCRIPTION	DATE
7.	RE-SUBMISSION FOR SPA	JAN 28/22
6.	ISSUED FOR TENDER	JAN 28/22
5.	ISSUED FOR 90% REVIEW	DEC 16/21
4.	ISSUED FOR COORDINATION	DEC 09/21
3.	ISSUED FOR 60% REVIEW	NOV 18/21
2.	ISSUED FOR SPA CONTROL	OCT 29/21
1.	ISSUED FOR SPA REVIEW	OCT 14/21

MCKEE ENGINEERING
 R.J. MCKEE
 ENGINEERING LTD.
 1785 Woodward Drive
 Ottawa, ON K1C 0P9
 CANADA
 Tel: (613) 723-9585
 Fax: (613) 723-9584
 www.mckeeottawa.ca

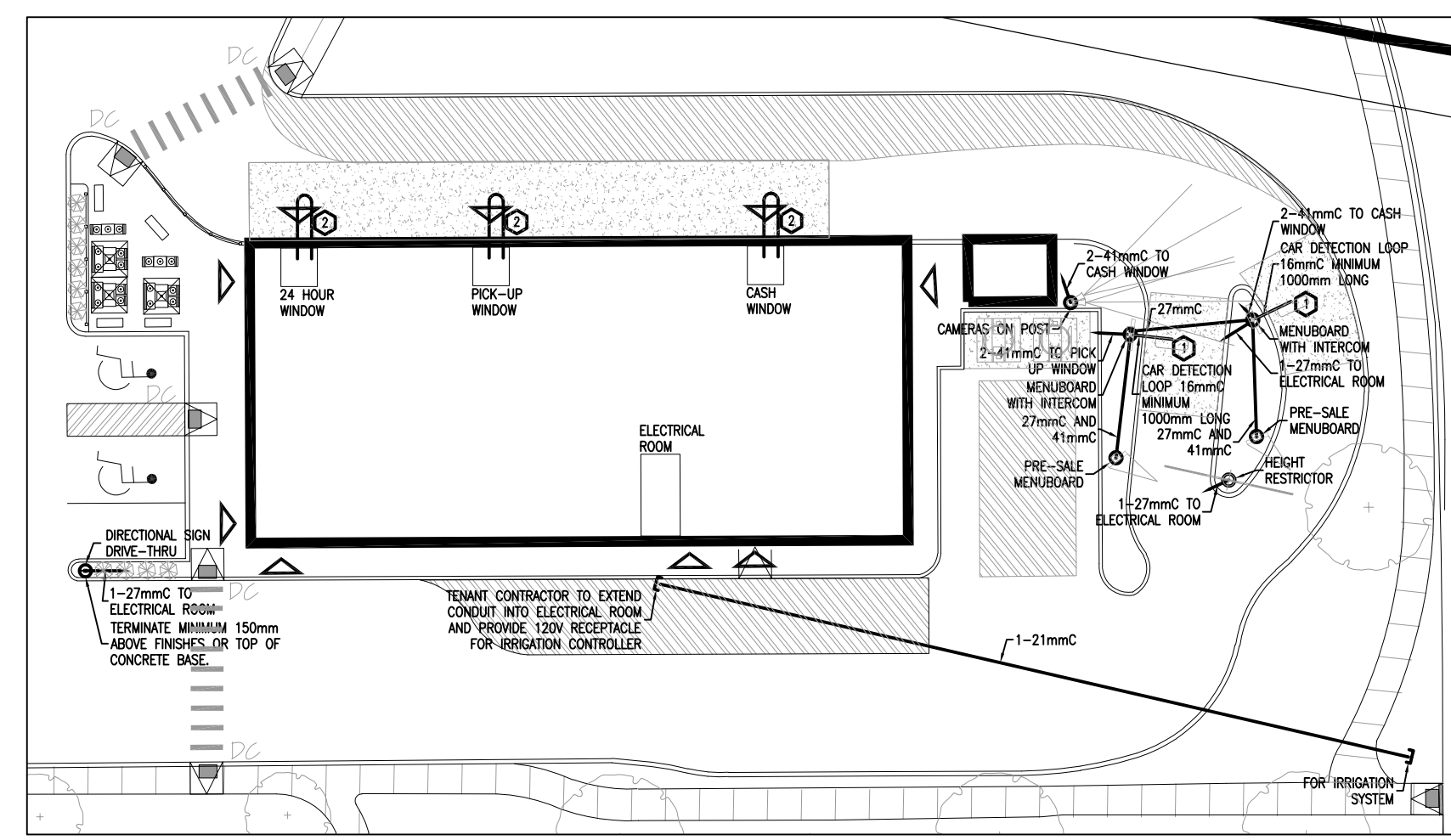
PROJECT:
**900 WATTERS ROAD
 CROWN POINTE - PHASE 3**

DRAWING:
**LEGEND, DRAWING LIST
 AND SITE PLAN**

DATE: **OCTOBER 2021**
 DESIGNED BY: **N.H.**
 DRAWN BY: **N.H.**
 CHECKED BY: **G.O.M.**
 SCALE: **AS SHOWN**
 DRAWING No. **SP-E01**
 No. DWGS. **3**
 PROJECT No. **21117**

THESE DESIGN DOCUMENTS ARE PREPARED SOLELY FOR THE USE BY THE PARTY WITH WHOM THE DESIGN PROFESSIONAL HAS ENTERED INTO A CONTRACT AND THERE ARE NO REPRESENTATIONS OF ANY KIND MADE BY THE DESIGN PROFESSIONAL TO ANY PARTY WITH WHOM THE DESIGN PROFESSIONAL HAS NOT ENTERED INTO A CONTRACT.

THE PAPER COPY OF THE DRAWINGS ISSUED FOR BUILDING PERMIT AND/OR TENDER WILL TAKE PRECEDENCE OVER ELECTRONIC COPIES.



1 MCDONALD'S DRIVE-THRU AND IRRIGATION CONDUITS
1:300

PANEL A - GE (EXISTING)		3 PH 4 W 225 MAINS SURFACE MOUNTED	
DESCRIPTION	BR	CIR	DESCRIPTION
PYLON SIGN	20	1	GOOSE NECK LIGHTS
PARKING LOT LIGHTS	20	3	GOOSE NECK LIGHTS
PARKING LOT LIGHTS	20	5	GOOSE NECK LIGHTS
PARKING LOT LIGHTS	20	7	SPARE (OFF)
PARKING LOT LIGHTS	20	9	WALL PACKS
PYLON SIGN	20	11	SPACE
PARKING LOT LIGHTS	20	13	WALL PACKS
PARKING LOT LIGHTS	20	15	SPACE
PARKING LOT LIGHTS	20	17	BUILDING D GOOSE NECK LTG
PARKING LOT LIGHTS	20	19	BUILDING D GOOSE NECK LTG
PARKING LOT LIGHTS	20	21	BUILDING D WALL PACKS
SPACE	20	23	BUILDING D WALL PACKS

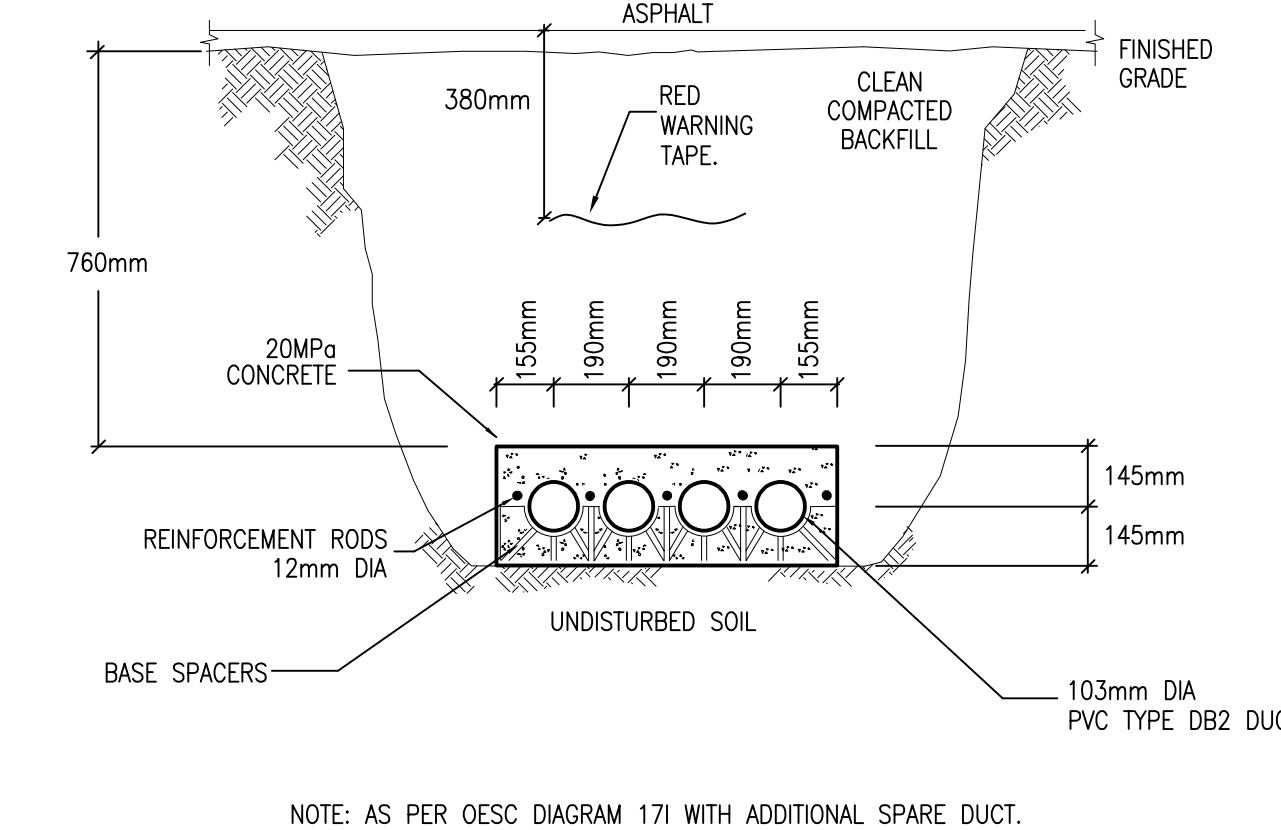
GENERAL NOTES

1. WORK SHOWN ON LAYOUT 1/SP-E02 IS TO BE PRICED UNDER MCDONALD'S FORM OF TENDER.

DRAWING NOTES

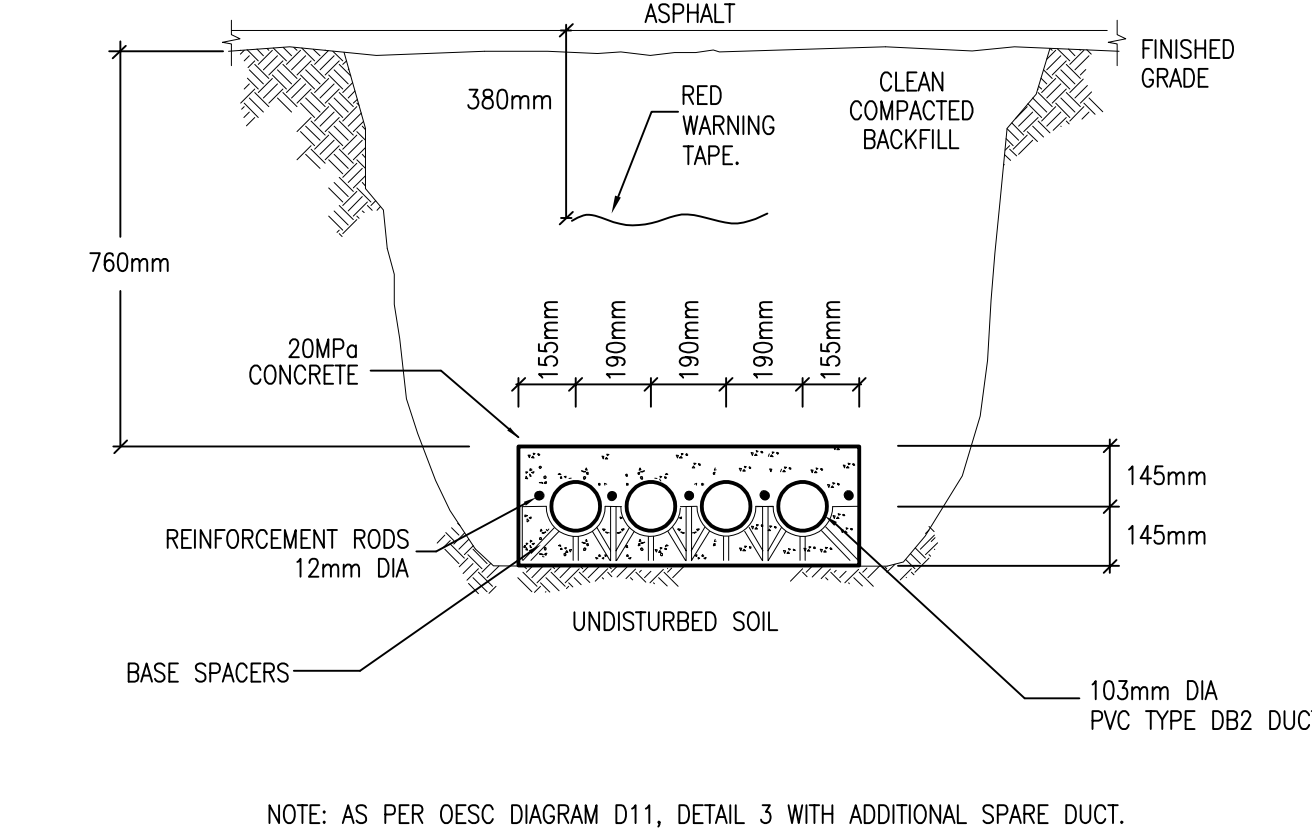
- PROVIDE CONDUIT FOR CAR DETECTION LOOP. CAR DETECTION LOOP SUPPLIED BY MCDONALD'S, INSTALLED BY ELECTRICAL CONTRACTOR AS PER MANUFACTURER'S RECOMMENDATIONS.
- CAR DETECTION LOOP SUPPLIED BY MCDONALD'S, INSTALLED BY ELECTRICAL CONTRACTOR AS PER MANUFACTURER'S RECOMMENDATIONS. RUN LOOP WIRES THROUGH CONDUIT SLEEVE IN FOUNDATION, SLEEVE PROVIDED BY OTHERS.

2 TRENCH DETAIL - PRIMARY 4 CELL CONCRETE ENCASED



NOTE: AS PER OESC DIAGRAM 171 WITH ADDITIONAL SPARE DUCT.

3 TRENCH DETAIL - SECONDARY 4 CELL CONCRETE ENCASED (FOOD STORE)

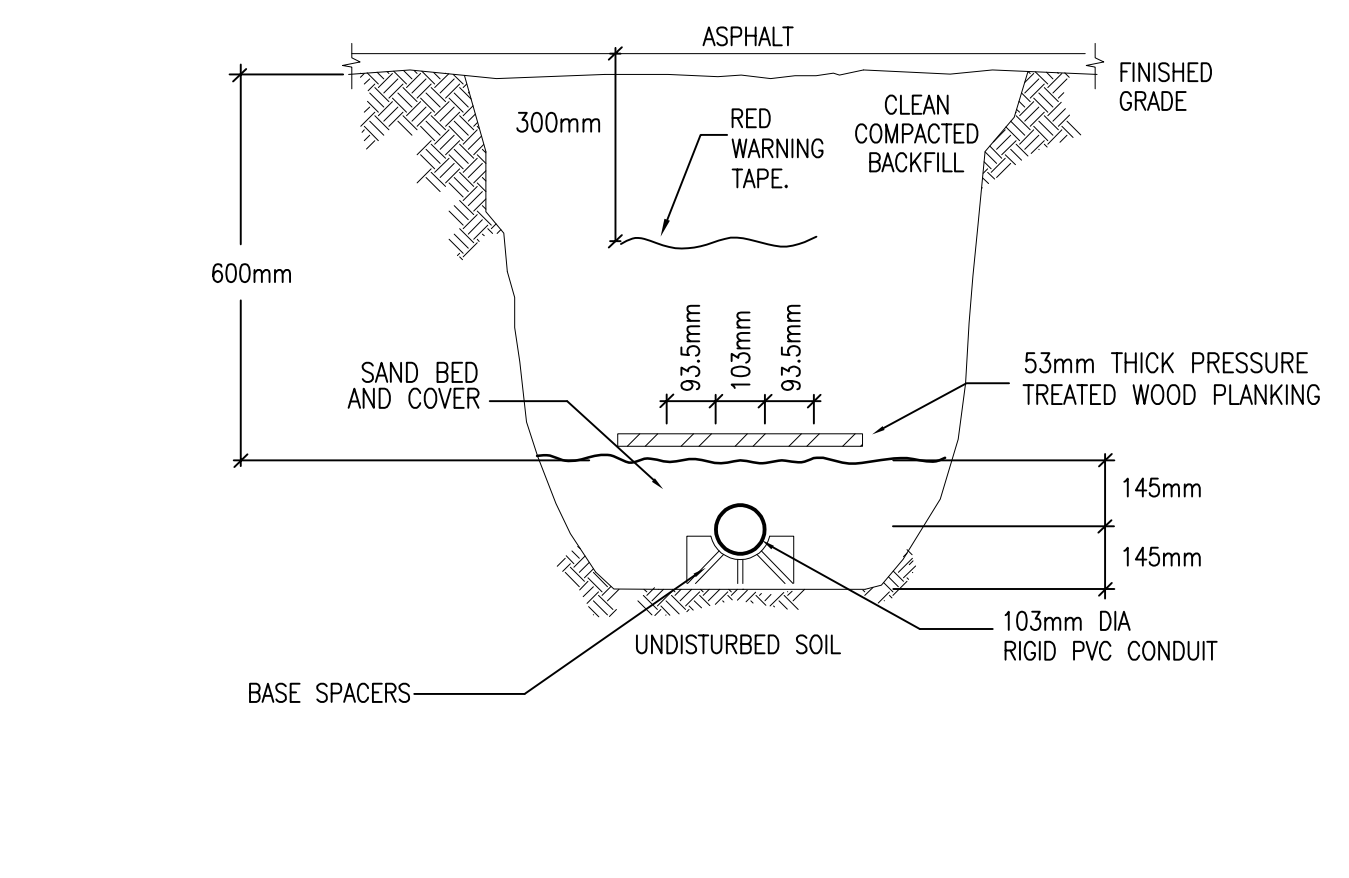


NOTE: AS PER OESC DIAGRAM D11, DETAIL 3 WITH ADDITIONAL SPARE DUCT.

EXTERIOR LIGHTING FIXTURE SCHEDULE

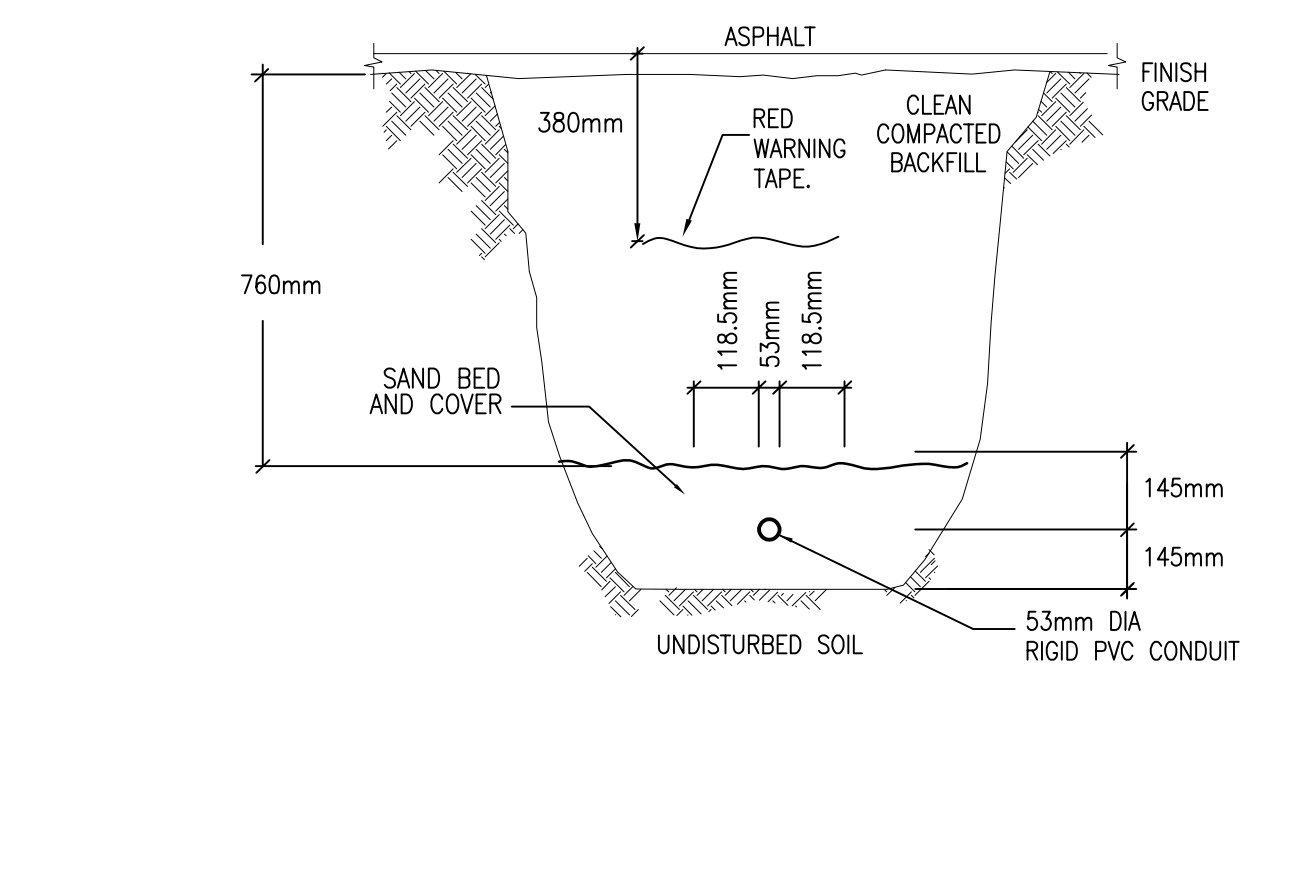
TYPE	DESCRIPTION	LAMPS	LED DIMMING DRIVER	DIMMING RANGE	VOLT	MOUNTING	REMARKS
1-AA1	POLE MOUNTED FIXTURE, CREE NOCTURA SERIES.	230W LED	----	----	347	SQUARE STEEL POLE 5.5m ABOVE GRADE	- 35000 LUMENS, 4000K, 70 CRI, TYPE III DISTRIBUTION - FULL CUT-OFF, BRONZE FINISH - C/W BACK LIGHT SHIELDING - MOUNTING HEIGHT INCLUDES HEIGHT OF BASE
1-AA2	POLE MOUNTED FIXTURE, CREE NOCTURA SERIES.	230W LED	----	----	347	SQUARE STEEL POLE 5.5m ABOVE GRADE	- 35000 LUMENS, 4000K, 70 CRI, TYPE IV DISTRIBUTION - FULL CUT-OFF, BRONZE FINISH - MOUNTING HEIGHT INCLUDES HEIGHT OF BASE
1-AA3	POLE MOUNTED FIXTURE, CREE NOCTURA SERIES.	230W LED	----	----	347	SQUARE STEEL POLE 5.5m ABOVE GRADE	- 35000 LUMENS, 4000K, 70 CRI, TYPE IV DISTRIBUTION - C/W BACK LIGHT SHIELDING - FULL CUT-OFF, BRONZE FINISH - MOUNTING HEIGHT INCLUDES HEIGHT OF BASE
1-AA4	POLE MOUNTED FIXTURE, CREE NOCTURA SERIES.	75W LED	----	----	347	SQUARE STEEL POLE 11.1m ABOVE GRADE	- 11000 LUMENS, 4000K, 70 CRI, TYPE III DISTRIBUTION - FULL CUT-OFF, BRONZE FINISH - MOUNTING HEIGHT INCLUDES HEIGHT OF BASE
1-AA5	POLE MOUNTED FIXTURE, CREE NOCTURA SERIES.	230W LED	----	----	347	SQUARE STEEL POLE 11.1m ABOVE GRADE	- 35000 LUMENS, 4000K, 70 CRI, TYPE IV DISTRIBUTION - FULL CUT-OFF, BRONZE FINISH - MOUNTING HEIGHT INCLUDES HEIGHT OF BASE
BB-1	BUILDING MOUNTED WALL PACK, CREE EDGE SERIES.	25W LED	----	----	120	EXTERIOR WALL 3.35m AFF	- 2500 LUMENS, 4000K, 70 CRI, TYPE II MEDIUM DISTRIBUTION - BLACK FINISH - SUPPLIED AND INSTALLED BY OTHERS, SHOWN FOR REFERENCE ONLY
BB-2	DOWNLIGHT FIXTURE, COOPER HALO SERIES.	16W LED	----	----	120	RECESSED EXTERIOR CANOPY	- 1500 LUMENS, 2700K, 90 CRI, WHITE FINISH - SUPPLIED AND INSTALLED BY OTHERS, SHOWN FOR REFERENCE ONLY
1-CC1	POLE MOUNTED FIXTURE, CSC LED FL04 SERIES.	300W LED	----	----	347	POLE 11.1m ABOVE GRADE	- 36705 LUMENS, 4000K, 70 CRI, TYPE III DISTRIBUTION - BLACK FINISH, EXISTING FIXTURES - MOUNTING HEIGHT INCLUDES HEIGHT OF BASE
2-CC1	POLE MOUNTED FIXTURE, CSC LED FL04 SERIES.	300W LED	----	----	347	POLE 11.1m ABOVE GRADE	- 36705 LUMENS, 4000K, 70 CRI, TYPE III DISTRIBUTION - BLACK FINISH, EXISTING FIXTURES - MOUNTING HEIGHT INCLUDES HEIGHT OF BASE
3-CC1	POLE MOUNTED FIXTURE, CSC LED FL04 SERIES.	300W LED	----	----	347	POLE 11.1m ABOVE GRADE	- 36705 LUMENS, 4000K, 70 CRI, TYPE III DISTRIBUTION - BLACK FINISH, EXISTING FIXTURES - MOUNTING HEIGHT INCLUDES HEIGHT OF BASE
DD-1	BUILDING MOUNTED WALL PACK, SIGNIFY KEENE LYTEPRO SERIES.	30W LED	----	----	120	EXTERIOR WALL 4.9m AFF	- 4000 LUMENS, 4000K, 70 CRI, TYPE III MEDIUM DISTRIBUTION - BLACK FINISH - SUPPLIED AND INSTALLED BY OTHERS, SHOWN FOR REFERENCE ONLY
DD-2	BUILDING MOUNTED WALL PACK, SIGNIFY KEENE LYTEPRO SERIES.	30W LED	----	----	120	EXTERIOR WALL 4.9m AFF	- 4000 LUMENS, 4000K, 70 CRI, TYPE II MEDIUM DISTRIBUTION - BLACK FINISH - SUPPLIED AND INSTALLED BY OTHERS, SHOWN FOR REFERENCE ONLY
DD-3	BUILDING MOUNTED SIGNAGE FIXTURE, RAB DESIGN VEK2 SERIES.	52W LED	----	----	120	EXTERIOR ARM 7.5m AFF	- 5333 LUMENS, 4000K, 70 CRI - BLACK FINISH - SUPPLIED AND INSTALLED BY OTHERS, SHOWN FOR REFERENCE ONLY

4 TRENCH DETAIL - COMMUNICATION 1 CELL DIRECT BURIED

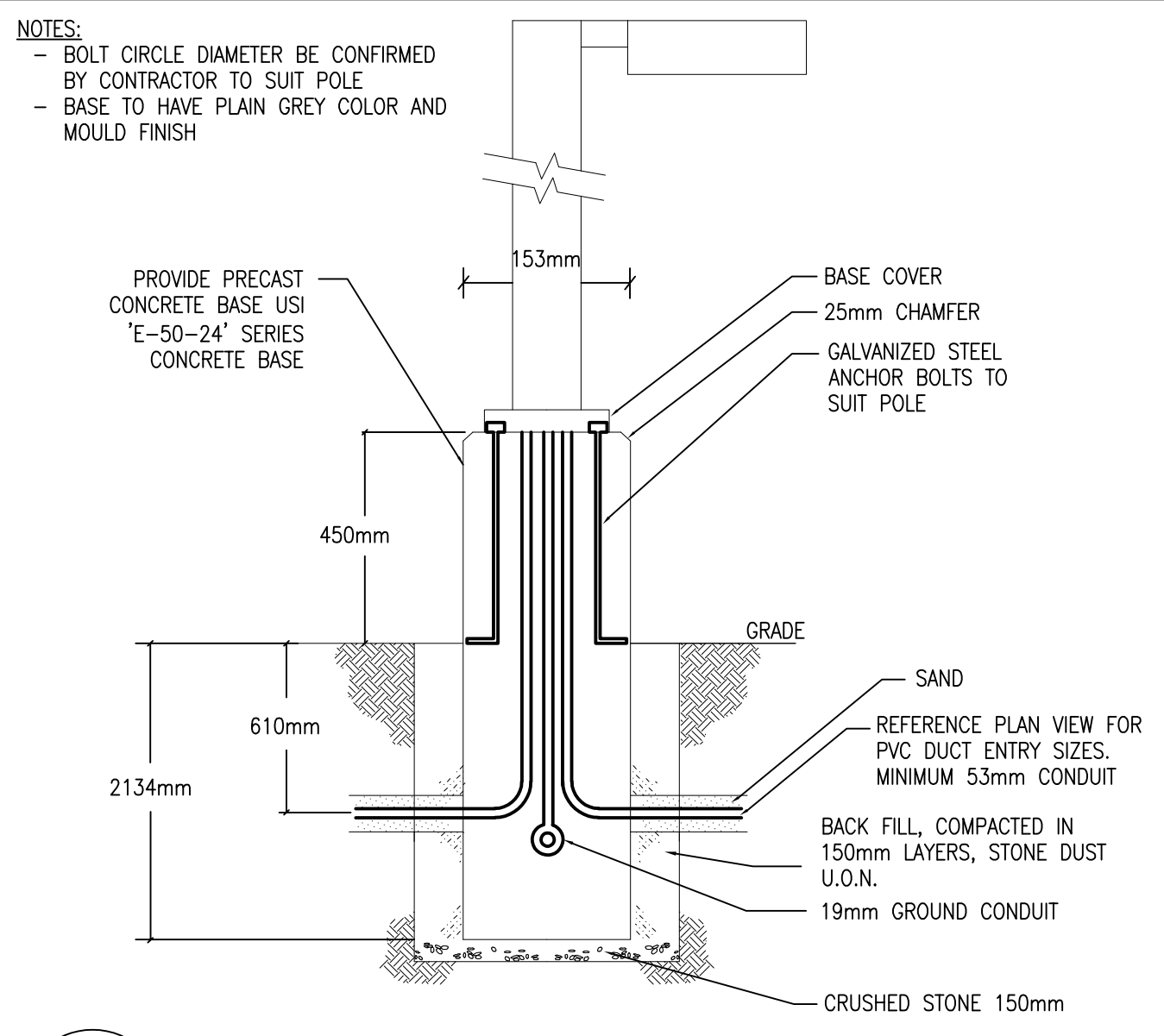


NOTES:
- BOLT CIRCLE DIAMETER BE CONFIRMED BY CONTRACTOR TO SUIT POLE
- BLACK FINISH
- BASE TO HAVE PLAIN GREY COLOR AND MOULD FINISH

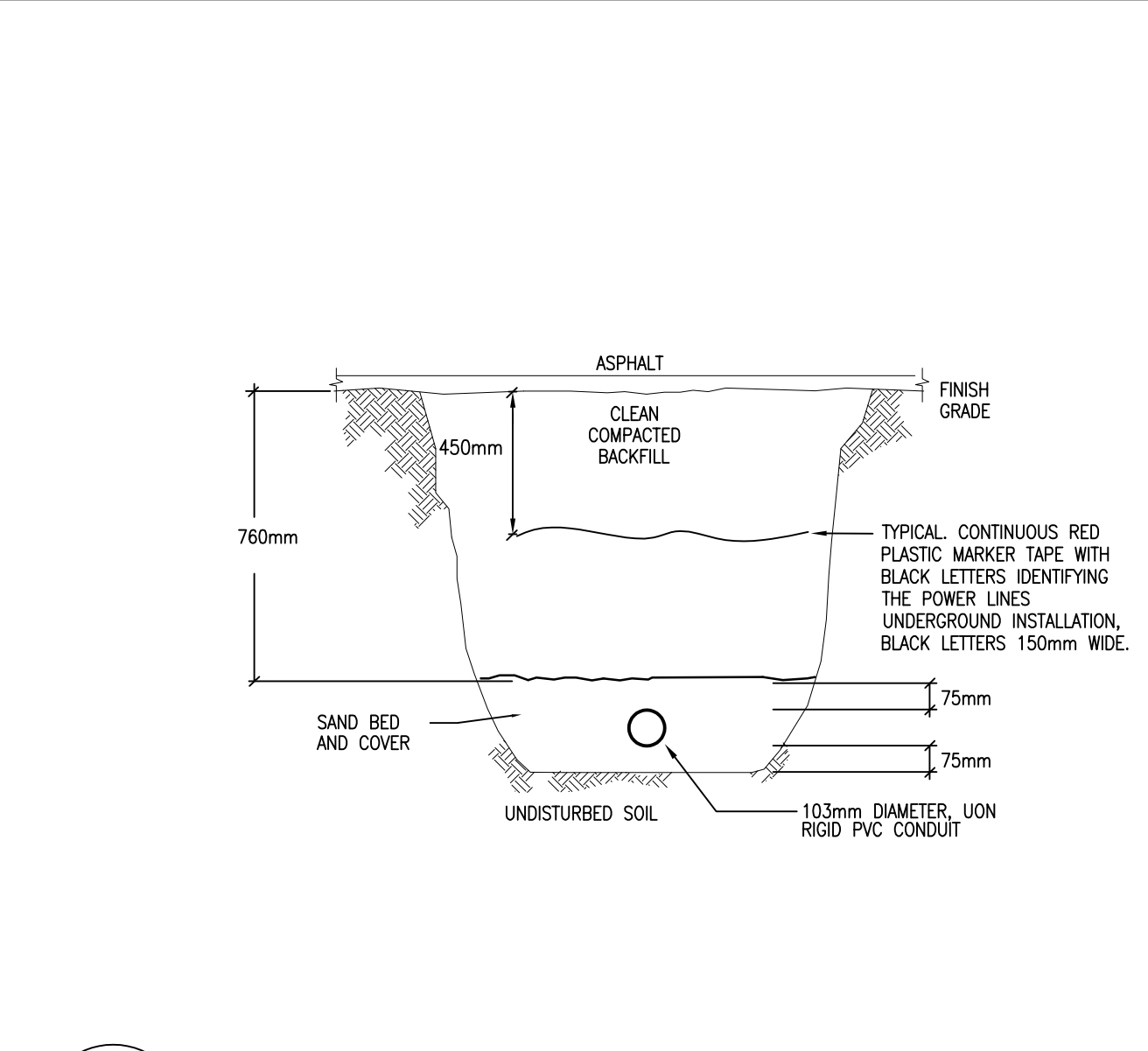
5 DIRECT BURIED CONDUIT FOR EXTERIOR LIGHTING STANDARDS OR POWER



6 MOUNTING OF LAMP POST BASE



7 TRENCH DETAIL - SECONDARY 1 CELL DIRECT BURIED - (MCDONALD'S)



REVISION No.	DESCRIPTION	DATE
7.	RE-SUBMISSION FOR SPA	JAN 28/22
6.	ISSUED FOR TENDER	JAN 28/22
5.	ISSUED FOR 90% REVIEW	DEC 16/21
4.	ISSUED FOR COORDINATION	DEC 09/21
3.	ISSUED FOR 60% REVIEW	NOV 18/21
2.	ISSUED FOR SPA CONTROL	OCT 29/21
1.	ISSUED FOR SPA REVIEW	OCT 14/21

MCKEE ENGINEERING
R.J. MCKEE ENGINEERING LTD.
1785 Woodward Drive
Ottawa, ON K2C 0P9
CANADA
Tel: (613) 723-9585
Fax: (613) 723-9584
www.mckeeottawa.ca

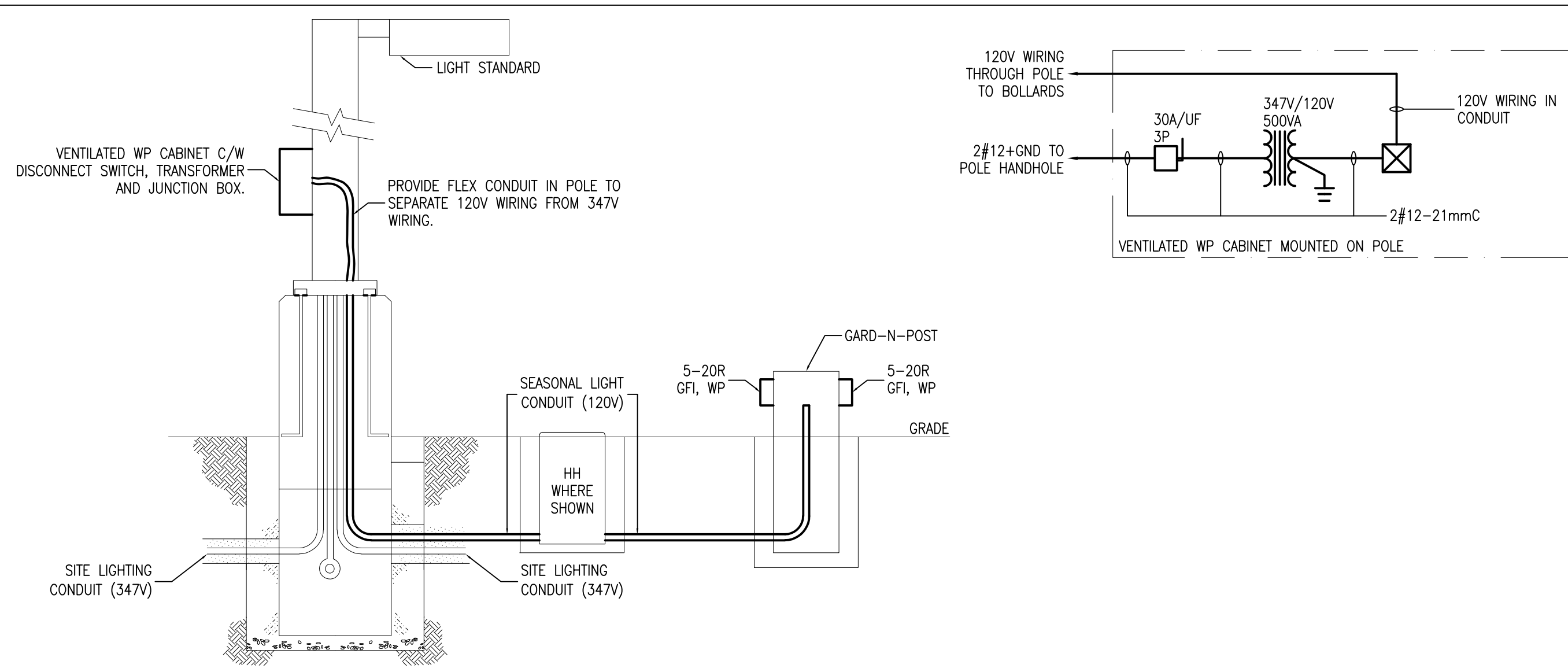
PROJECT:
900 WATERS ROAD
CROWN POINTE - PHASE 3

DRAWING:
ELECTRICAL:
MCDONALD'S DRIVE-THRU AND IRRIGATION CONDUITS, SCHEDULES AND DETAILS

PROFESSIONAL ENGINEER
G.O. MAUZEROLL
150143854
Jan. 28/22
PROVINCE OF ONTARIO

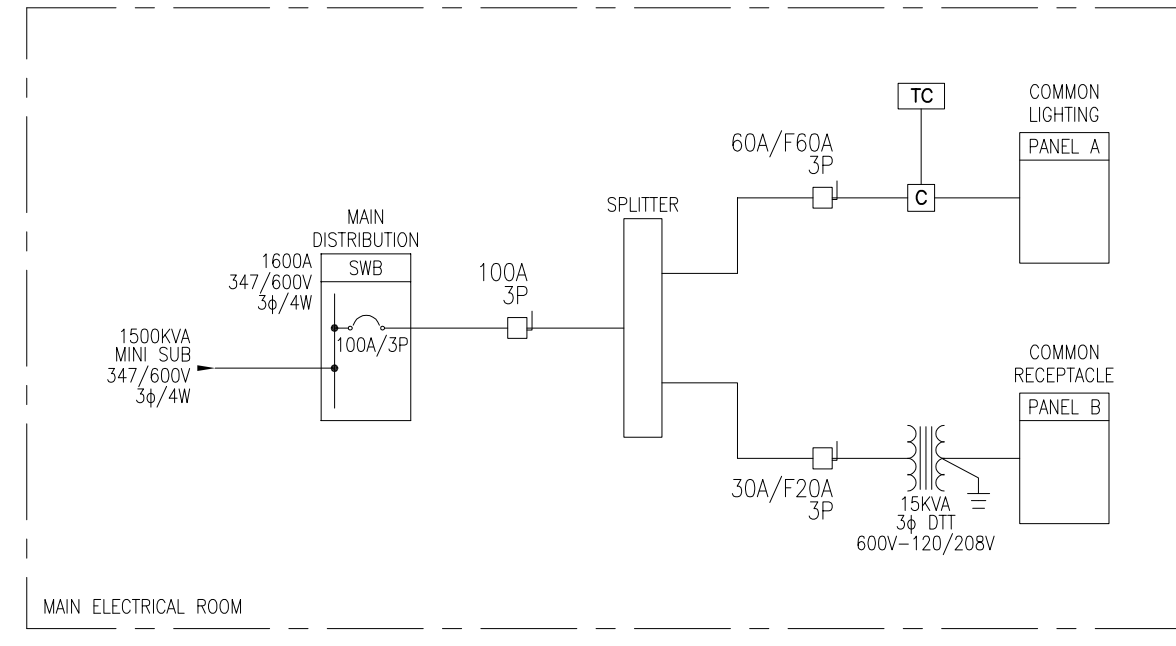
DATE: OCTOBER 2021
DESIGNED BY: N.H.
DRAWN BY: N.H.
CHECKED BY: G.O.M.
SCALE: N.T.S.
DRAWING No.

No. DWGS. 3
PROJECT No.
21117
SP-E02



1 SEASONAL LIGHT POWER SUPPLY ON LIGHT POLE
SP-E03

SINGLE LINE LINETYPE LEGEND
— EXISTING TO REMAIN FEEDER OF EQUIPMENT



2 EXISTING SITE PARTIAL SINGLE LINE DIAGRAM
SP-E03

THESE DESIGN DOCUMENTS ARE PREPARED SOLELY FOR THE USE BY THE PARTY WITH WHOM THE DESIGN PROFESSIONAL HAS ENTERED INTO A CONTRACT AND THERE ARE NO REPRESENTATIONS OF ANY KIND MADE BY THE DESIGN PROFESSIONAL TO ANY PARTY WITH WHOM THE DESIGN PROFESSIONAL HAS NOT ENTERED INTO A CONTRACT.

THE PAPER COPY OF THE DRAWINGS ISSUED FOR BUILDING PERMIT AND/OR TENDER WILL TAKE PRECEDENCE OVER ELECTRONIC COPIES.

REVISION No.	DESCRIPTION	DATE
7.	RE-SUBMISSION FOR SPA	JAN 28/22
6.	ISSUED FOR TENDER	JAN 28/22
5.	ISSUED FOR 90% REVIEW	DEC 16/21
4.	ISSUED FOR COORDINATION	DEC 09/21
3.	ISSUED FOR 60% REVIEW	NOV 18/21
2.	ISSUED FOR SPA CONTROL	OCT 29/21
1.	ISSUED FOR SPA REVIEW	OCT 14/21

MCKEE ENGINEERING
R.J. MCKEE
ENGINEERING LTD.
1785 Woodward Drive
Ottawa, ON K2C 0P9
CANADA
Tel.: (613) 723-9585
Fax.: (613) 723-9584
www.mckeeottawa.ca

PROJECT:
900 WATERS ROAD
CROWN POINTE – PHASE 3

DRAWING:
ELECTRICAL:
DETAILS AND SINGLE LINE DIAGRAMS

DATE: OCTOBER 2021
DESIGNED BY: N.H.
DRAWN BY: N.H.
CHECKED BY: G.O.M.
SCALE: N.T.S.

No. DWGS. 3
PROJECT No. 21117
DRAWING No. SP-E03



D07-12-21-0183