

Copyright Reserved

The Contractor shall verify and be responsible for all dimensions. DO NOT scale the drawing - any errors or omissions shall be reported to Stantec without delay.
The Copyrights to all designs and drawings are the property of Stantec. Reproduction or use for any purpose other than that authorized by Stantec is forbidden.

Legend

- PROPOSED SILT FENCE BOUNDARY AS PER OPSD 219.110
- PROPOSED CONSTRUCTIVE FENCE AS PER DETAIL
- PROPOSED CATCH BASIN PROTECTION AS PER FLEX STORM INLET FILTERS DETAIL ITEM CODE P-RD-240-223-FX
- PROPOSED CATCH BASIN PROTECTION AS PER TERRAFLIX SILTSACK DETAIL
- PROPOSED MUD MAT LOCATION
- PROPOSED VALVE BOX
- PROPOSED VALVE CHAMBER
- PROPOSED FIRE HYDRANT
- PROPOSED SANITARY SEWER MANHOLE
- PROPOSED STORM SEWER MANHOLE
- PROPOSED CATCHBASIN
- PROPOSED WATTS FD-530 (OR EQUIVALENT) TO BE CONNECTED TO INTERNAL STORM SEWER PLUMBING.

Best Management Practices

CONTRACTOR TO PROVIDE EROSION AND SEDIMENT CONTROLS (BEST MANAGEMENT PRACTICES) DURING CONSTRUCTION OF THIS PROJECT. THE CONTRACTOR SHALL IMPLEMENT BEST MANAGEMENT PRACTICES TO PROVIDE FOR PROTECTION OF THE AREA DRAINAGE SYSTEM AND THE RECEIVING WATERCOURSE. DURING CONSTRUCTION ACTIVITIES, THE CONTRACTOR ACKNOWLEDGES THAT FAILURE TO IMPLEMENT APPROPRIATE EROSION AND SEDIMENT CONTROL MEASURES MAY BE SUBJECT TO PENALTIES IMPOSED BY ANY APPLICABLE REGULATORY AGENCY.

- LIMIT THE EXTENT OF EXPOSED SOILS AT ANY GIVEN TIME.
- REVEGETATE EXPOSED AREAS AND SLOPES AS SOON AS POSSIBLE.
- MINIMIZE AREA TO BE CLEARED AND GRUBBED.
- PROTECT EXPOSED SLOPES WITH PLASTIC OR SYNTHETIC MATS.
- INSTALL CATCH BASIN INSERTS OR EQUIVALENT IN ALL PROPOSED CATCH BASINS AND CATCH BASIN MANHOLES AND IN ALL EXISTING CATCH BASINS THAT WILL RECEIVE RUN-OFF FROM THE SITE.
- A SILT FENCE SHALL BE INSTALLED AROUND THE PERIMETER OF ALL AND ANY STOCKPILES OF MATERIAL TO BE USED OR REMOVED FROM SITE (LOCATION TO BE DETERMINED).
- A VISUAL INSPECTION SHALL BE DONE DAILY ON SEDIMENT CONTROL MEASURES AND CLEANED OF ANY ACCUMULATED SOLIDS AS REQUIRED. THE REPORTS WILL BE SUBMITTED OFF-SITE AS PER THE REQUIREMENTS OF THE CONTRACT.
- SEDIMENT CONTROL BARRIERS MAY ONLY BE REMOVED TEMPORARILY WITH APPROVAL OF CONTRACT ADMINISTRATOR TO ACCOMMODATE CONSTRUCTION OPERATIONS. ALL AFFECTED BARRIERS MUST BE REINSTATED AT NIGHT WHEN CONSTRUCTION IS COMPLETED. NO REMOVAL WILL OCCUR IF THERE IS A SIGNIFICANT RAINFALL EVENT ANTICIPATED ($>10mm$) UNLESS A NEW DEVICE HAS BEEN INSTALLED TO PROTECT EXISTING STORM AND SANITARY SEWER SYSTEMS, OR DOWNSTREAM WATERCOURSES.
- NO REFUELING OR CLEANING OF EQUIPMENT IS PERMITTED NEAR ANY EXISTING WATERWAY.
- CONTRACTOR SHALL REMOVE SEDIMENT CONTROL MEASURES WHEN, IN THE OPINION OF THE CONTRACT ADMINISTRATOR, THE MEASURES ARE NO LONGER REQUIRED. NO CONTROL MEASURES SHALL BE PERMANENTLY REMOVED WITHOUT PRIOR WRITTEN AUTHORIZATION FROM THE CONTRACT ADMINISTRATOR.
- THE CONTRACTOR SHALL PERIODICALLY, OR WHEN REQUESTED BY THE CONTRACT ADMINISTRATOR, CLEAN OUT ACCUMULATED SEDIMENTS AS REQUIRED.
- THE CONTRACTOR SHALL IMMEDIATELY REPORT TO THE ENGINEER ANY ACCIDENTAL DISCHARGES OF SEDIMENT MATERIAL INTO THE WATERCOURSE. APPROPRIATE RESPONSE MEASURES, INCLUDING ANY REPAIRS TO EXISTING CONTROL MEASURES OR THE IMPLEMENTATION OF ADDITIONAL CONTROL MEASURES, SHALL BE CARRIED OUT BY THE CONTRACTOR WITHOUT DELAY.
- CONTRACTOR SHALL INSTALL MUD MATS AT ALL CONSTRUCTION ENTRANCES TO THE SITE.

NO.	DESCRIPTION	DATE	BY	APP'D.
3	ISSUED FOR SPA	JP	DT	23.02.27
2	ISSUED FOR SPA	JP	DT	22.11.29
1	ISSUED FOR SPA	JP	DT	22.05.25
0	ISSUED FOR SPA	MJS	DT	21.11.22

Revision	Description	DATE	BY	APP'D.
3	ISSUED FOR SPA	JP	DT	23.02.27
2	ISSUED FOR SPA	JP	DT	22.11.29
1	ISSUED FOR SPA	JP	DT	22.05.25
0	ISSUED FOR SPA	MJS	DT	21.11.22

File Name:	MJS	DT	MJS	21.09.22
	Dwn.	Chkd.	Dgn.	YY.MM.DD

Permit/Seal	MJS	DT	MJS	21.09.22
	Dwn.	Chkd.	Dgn.	YY.MM.DD

Client/Project	WESTRICH PACIFIC CORP.			
	MULTI-FAMILY RESIDENTIAL DEVELOPMENT			
	1125-1149 CYRVILLE ROAD			
	OTTAWA, ON, CANADA			

Title	EROSION CONTROL PLAN AND DETAIL SHEET			
-------	---------------------------------------	--	--	--

Project No.	Scale	0	5	15	25m
160401672	1:500				

Drawing No.	Sheet	Revision
ECDS-1	5 of 8	3

Project No.	Scale	0	5	15	25m
160401672	1:500				

Drawing No.	Sheet	Revision
ECDS-1	5 of 8	3

Client/Project	WESTRICH PACIFIC CORP.			
	MULTI-FAMILY RESIDENTIAL DEVELOPMENT			
	1125-1149 CYRVILLE ROAD			
	OTTAWA, ON, CANADA			

Title	EROSION CONTROL PLAN AND DETAIL SHEET			
-------	---------------------------------------	--	--	--

Project No.	Scale	0	5	15	25m
160401672	1:500				

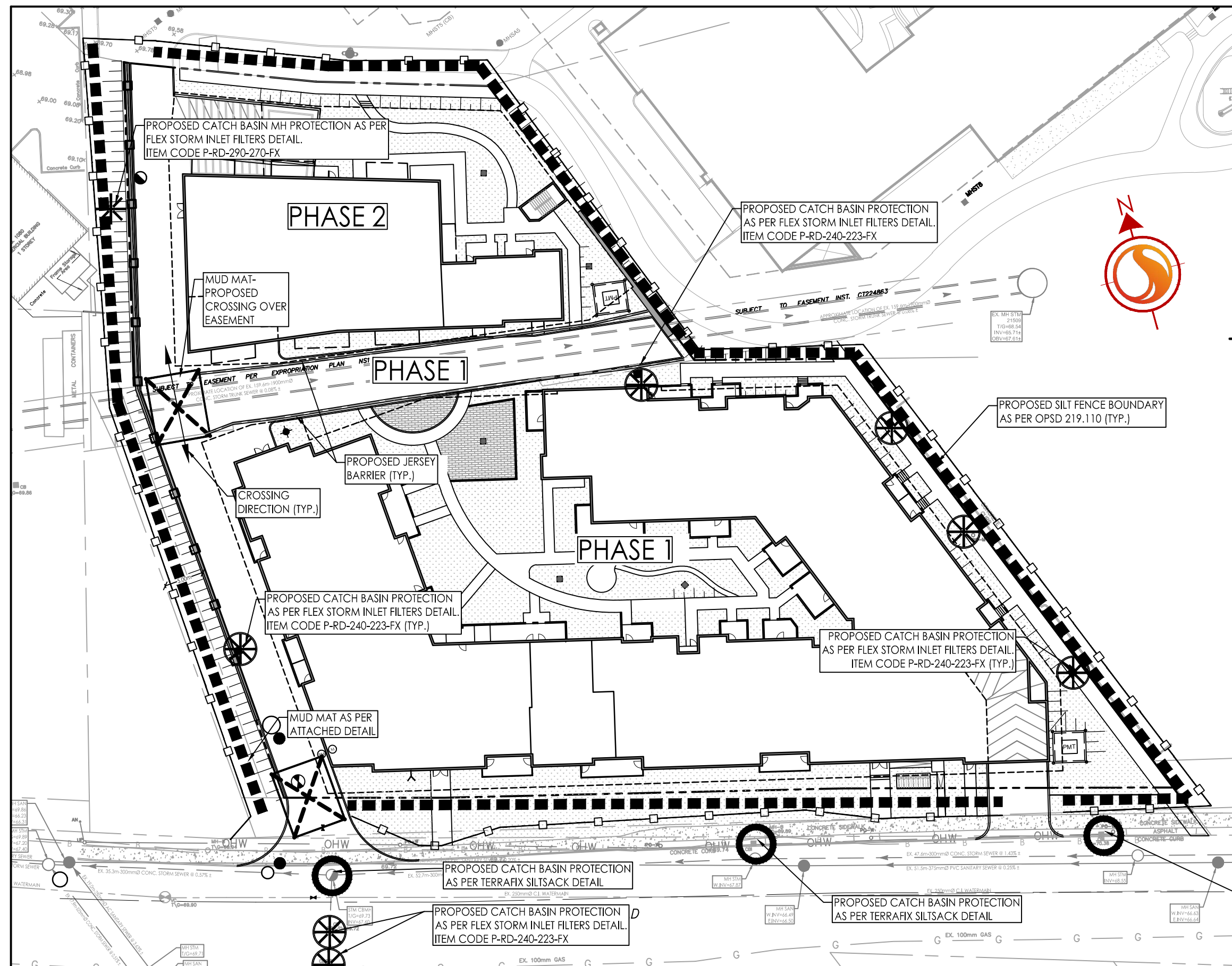
Drawing No.	Sheet	Revision
ECDS-1	5 of 8	3

Client/Project	WESTRICH PACIFIC CORP.			
	MULTI-FAMILY RESIDENTIAL DEVELOPMENT			
	1125-1149 CYRVILLE ROAD			
	OTTAWA, ON, CANADA			

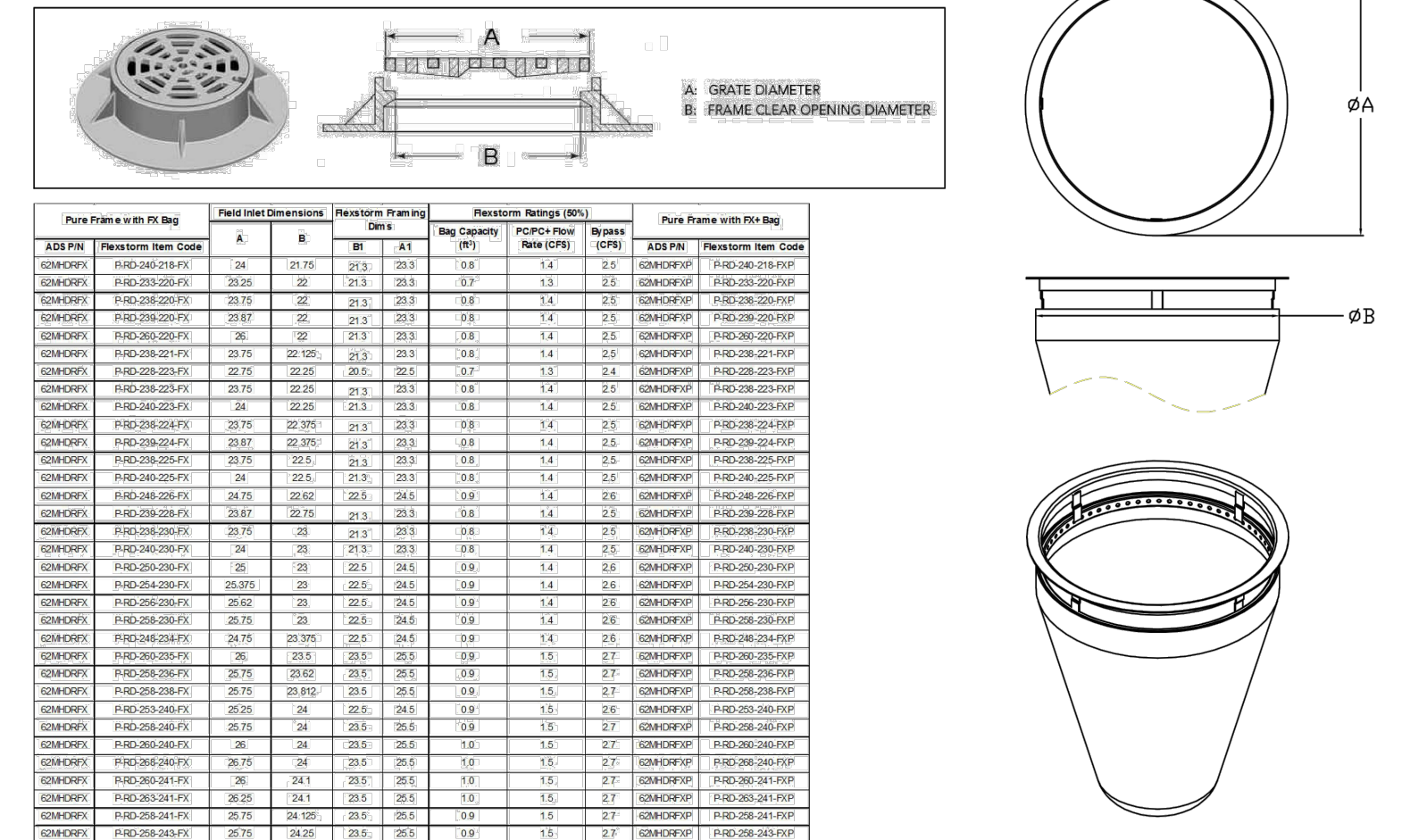
Title	EROSION CONTROL PLAN AND DETAIL SHEET			
-------	---------------------------------------	--	--	--

Project No.	Scale	0	5	15	25m
160401672	1:500				

Drawing No.	Sheet	Revision
ECDS-1	5 of 8	3

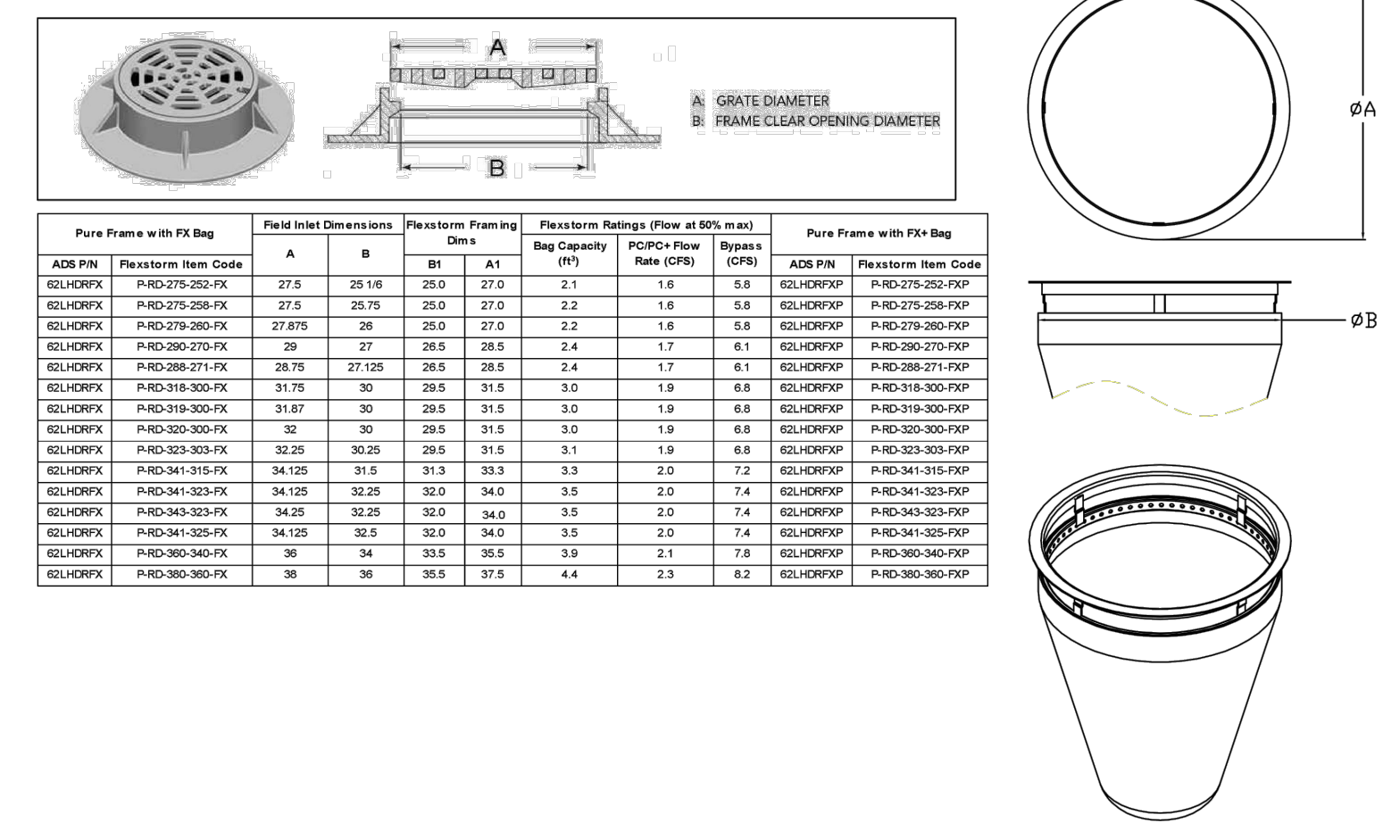


FLEXSTORM P/Ns 62MHDRFX & 62LHDRFX
RD INLET TYPE: RAISED CAST IRON FRAME AND ROUND GRATE



Pure Frame with FR Bag	FlexStorm Item Code	FlexStorm Item Code	FlexStorm Item Code	FlexStorm Item Code	FlexStorm Item Code	FlexStorm Item Code	FlexStorm Item Code
62MHDRFX	FRD-270-223-FX	FRD-270-223-FX	FRD-270-223-FX	FRD-270-223-FX	FRD-270-223-FX	FRD-270-223-FX	FRD-270-223-FX
62LHDRFX	FRD-270-223-FX	FRD-270-223-FX	FRD-270-223-FX	FRD-270-223-FX	FRD-270-223-FX	FRD-270-223-FX	FRD-270-223-FX

FLEXSTORM P/Ns 62LHDRFX & 62LHDRFX
RD INLET TYPE: RAISED CAST IRON FRAME AND ROUND GRATE



Pure Frame with FR Bag	FlexStorm Item Code	FlexStorm Item Code	FlexStorm Item Code	FlexStorm Item Code	FlexStorm Item Code	FlexStorm Item Code	FlexStorm Item Code
62LHDRFX	FRD-270-223-FX	FRD-270-223-FX	FRD-270-223-FX	FRD-270-223-FX	FRD-270-223-FX	FRD-270-223-FX	FRD-270-223-FX
62LHDRFX	FRD-270-223-FX	FRD-270-223-FX	FRD-270-223-FX	FRD-270-223-FX	FRD-270-223-FX	FRD-270-223-FX	FRD-270-223-FX

