

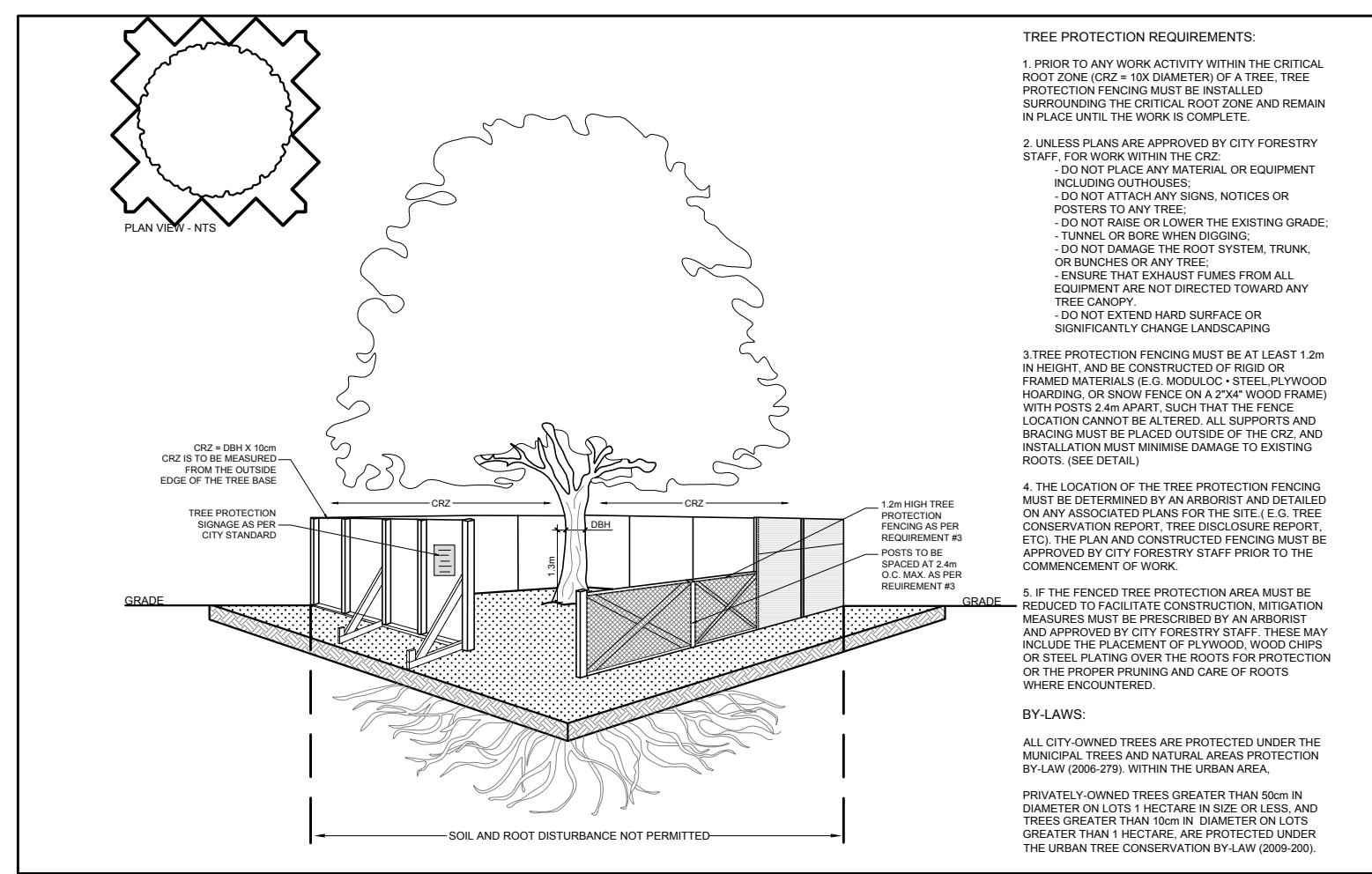
PROPOSED PLANT LIST

KEY	QTY	BOTANICAL NAME	COMMON NAME	SIZE	CONDITION	REMARKS
TREES						
GB	2	<i>Ginkgo biloba</i>	Maidenhair Tree	60mm cal.	B&B	Male tree
HB	3	<i>Celtis occidentalis</i>	Hackberry	60mm cal.	B&B	
HL	2	<i>Gleditsia triacanthos 'Draves'</i>	Street Keeper Honey Locust	60mm cal.	B&B	
LL	2	<i>Tilia cordata</i>	Little Leaf Linden	60mm cal.	B&B	
SM	2	<i>Acer saccharum</i>	Sugar Maple	60mm cal.	B&B	
SHRUBS						
AH	59	<i>Hydrangea arborescens 'Annabelle'</i>	Annabelle Hydrangea	1 gallon pot	Potted	Space 1000mm o.c.
AW	34	<i>Spiraea x japonica 'Anthony Waterer'</i>	Anthony Waterer Spiraea	600mm ht.	Potted	Space 800mm o.c.
BB	54	<i>Euonymus alatus 'Compactus'</i>	Dwarf Burning Bush	800mm ht.	Potted	Space 1200mm o.c.
BS	32	<i>Spiraea x vanhouttei</i>	Bridal Wreath Spiraea	800mm ht.	Potted	Space 1000mm o.c.
FS	91	<i>Sorbaria sorbifolia 'Sem'</i>	Sem False Spiraea	600mm ht.	Potted	Space 1000mm o.c.
RR	25	<i>Rosa rugosa</i>	Rugosa Rose	800mm ht.	Potted	Space 1000mm o.c.
SS	27	<i>Sorbaria sorbifolia</i>	Ural False Spiraea	800mm ht.	Potted	Space 1200mm o.c.
PERENNIALS/GRASSES						
DL	40	<i>Hemerocallis 'Stella D'oro'</i>	Stella D'oro Daylily	100mm pot	Potted	Space 400mm o.c.
KF	27	<i>Calamagrostis Karl Foerster'</i>	Feather Reed Grass	250mm pot	Potted	Space 800mm o.c.
RS	53	<i>Hemerocallis 'Ruby Stella'</i>	Ruby Stella Daylily	100mm pot	Potted	Space 400mm o.c.

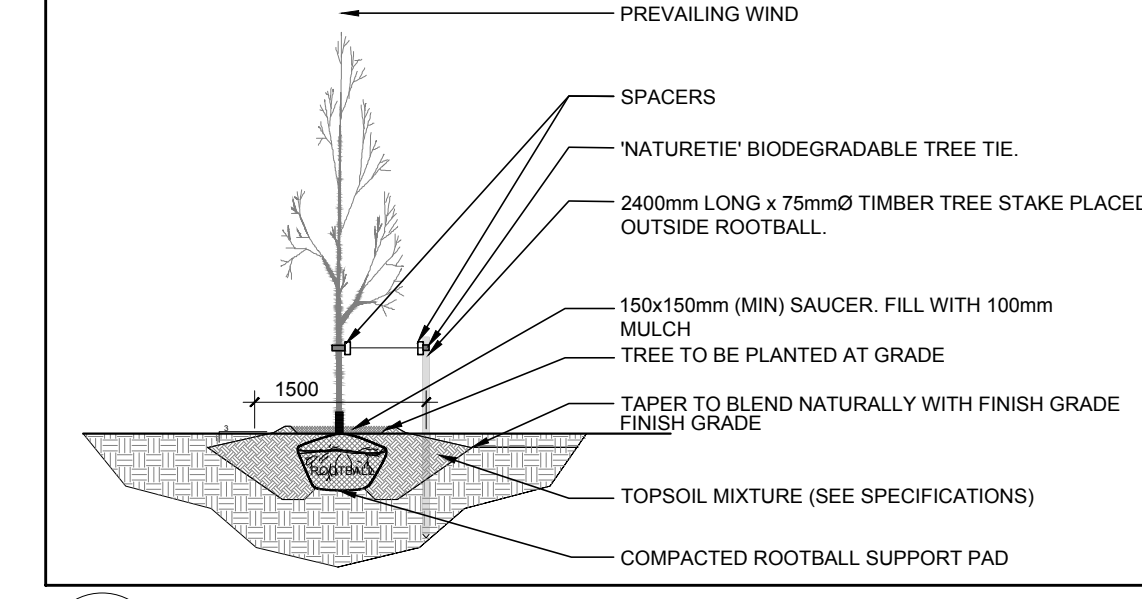
EXISTING TREE LIST

KEY	QTY	BOTANICAL NAME	COMMON NAME	SIZE	CONDITION	REMARKS	OWNERSHIP
TREES							
AN1	2	<i>Acer negundo</i>	Manitoba Maple	50-100mm dbh	Good	To remain	1117 Cyrville Road
AN2	*	<i>Acer negundo</i>	Manitoba Maple	100mm dbh	Good	To remain	1098 Ogilvie Road
PP	1	<i>Pinus nigra</i>	Austrian Pine	150mm dbh	Good	To be removed	1125 Cyrville Road
PC	2	<i>Picea pungens</i>	Colorado Spruce	350mm dbh	Good	To remain	1173 Cyrville Road
RC1	*	<i>Rhamnus cathartica</i>	Common Buckthorn	50-100mm dbh	Good	To remain	1098 Ogilvie Road
RC2	*	<i>Rhamnus cathartica</i>	Common Buckthorn	50-100mm dbh	Good	To be removed	1125 Cyrville Road
UP1	1	<i>Ulmus pumila</i>	Siberian Elm	100mm dbh	Good	To remain	1117 Cyrville Road
UP2	1	<i>Ulmus pumila</i>	Siberian Elm	50-100mm dbh	Fair-good	To remain	1098 Ogilvie Road
UP3	2	<i>Ulmus pumila</i>	Siberian Elm	100-400mm dbh	Good	To be removed	1125 Cyrville Road
UP4	*	<i>Ulmus pumila</i>	Siberian Elm	100-350mm dbh	Fair-Good	To remain	1178 Cummings Avenue

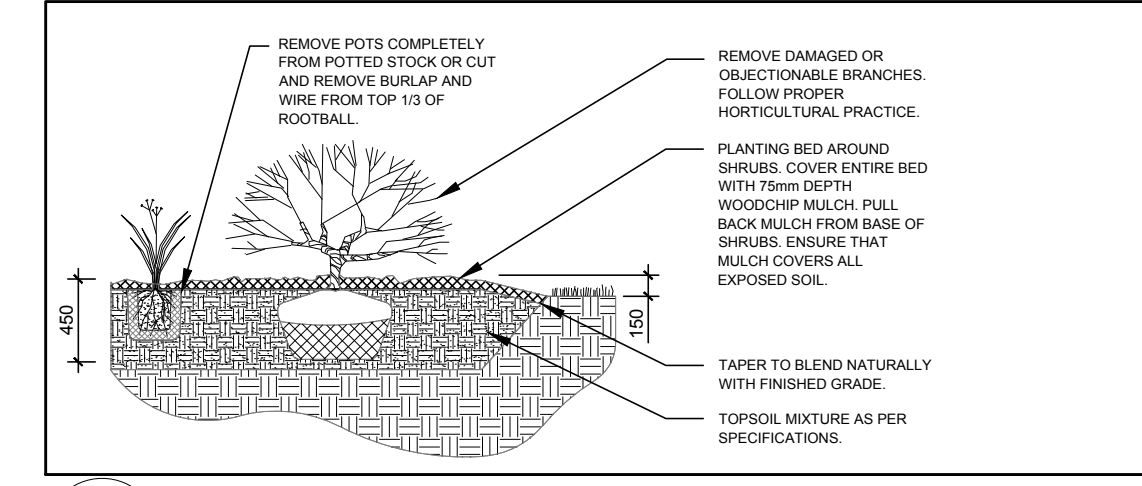
* DENOTES NUMEROUS



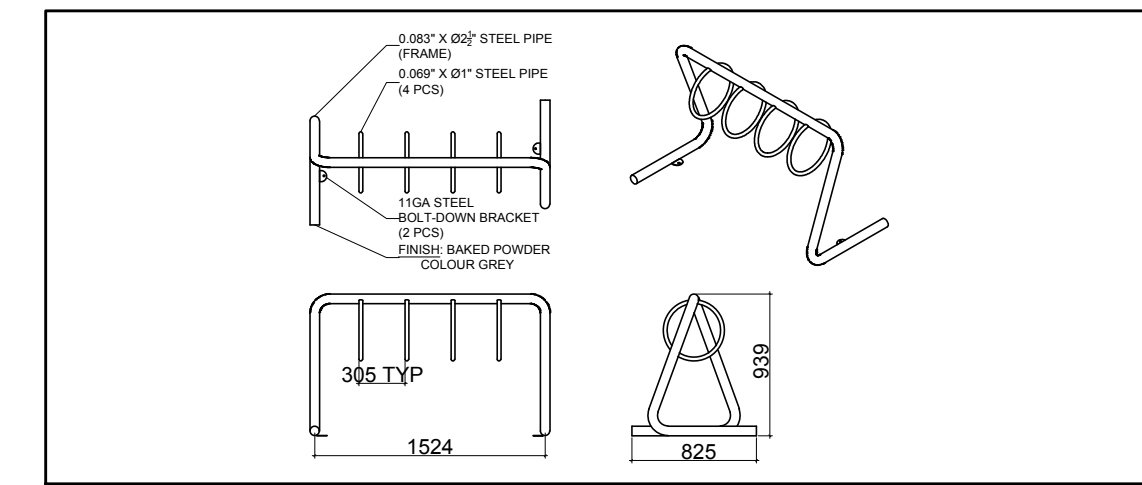
2 TREE PROTECTION FENCE
SCALE: NTS



3 DECIDUOUS TREE PLANTING
SCALE: NTS



4 SHRUB / PERENNIAL PLANTING
SCALE: NTS



5 FOUR (4) RING BIKE RACK
SCALE: NTS

CLIENT
WESTRICH PACIFIC CORP.

CONSULTANTS
J+S ARCHITECT

SURVEYORS:
ANNIS, O'SULLIVAN, VOLLEBEKK LTD.
14 Concorde Circle, Suite 500
Markham, Ont. R3E 7S8
Phone: (416) 727-0850 / Fax: (416) 727-1079
Email: info@annis.com

CIVIL ENGINEERS:
Stantec

LEGEND

- EXISTING TREE TO REMAIN
- GROUP OF EXISTING TREES TO REMAIN
- EXISTING TREE TO BE REMOVED
- GROUP OF EXISTING TREES TO BE REMOVED
- PROPOSED TYPE I PRECAST CONCRETE PAVERS
- PROPOSED TYPE II PRECAST CONCRETE PAVERS
- PROPOSED TYPE III PRECAST CONCRETE PAVERS
- PROPOSED RIVERSTONE
- PROPOSED SOD
- PROPOSED DECIDUOUS TREE
- PROPOSED SHRUBS / ORNAMENTAL GRASSES
- TREE PROTECTION FENCE

8	REVISED PER CITY COMMENTS	02/22/2024	ML	JL
7	REVISED PER CITY COMMENTS	10/05/2023	ML	JL
6	SECTION KEY PLANS ADDED	09/07/2023	ML	JL
5	REVISED PER NEW SITE PLAN	07/28/2023	ML	JL
4	REVISED PER CITY COMMENTS	03/07/2023	ML	JL
3	REVISED PER NEW SITE PLAN	12/07/2022	ML	JL
2	REVISED PER CITY COMMENTS	06/27/2022	ML	JL
1	ISSUED FOR SITE PLAN CONTROL	11/15/2021	ML	JL
No.	Issue	Date	ML	DR CK

JAMES B. LENNOX & ASSOCIATES INC.
LANDSCAPE ARCHITECTS
3332 CARLING AVE. OTTAWA, ONTARIO K2H 5A8
Tel: (613) 723-5168 Fax: (613) 723-5168

PROJECT
MULTI-FAMILY RESIDENTIAL DEVELOPMENT
1125-1149 CYRVILLE ROAD, OTTAWA ON

DRAWING
TREE CONSERVATION REPORT & LANDSCAPE PLAN

STAMP
ASSOCIATION OF LANDSCAPE ARCHITECTS
MEMBER
JAMES B. LENNOX

SCALE
1:250

START DATE
NOVEMBER 2021

PROJECT NO.
22MIS229

DRAWING NO.
L.1

PLOT SIZE ARCH-D

GENERAL NOTES:

- It is the responsibility of the appropriate contractor or official to report any errors, omissions or discrepancies on this plan with actual site conditions to the Landscape Architect before proceeding with construction.
- The contractor is to notify all utility companies and authorities prior to any excavation and ascertain locations of underground services.
- The contractor is to reinstate all areas and items damaged as a result of construction activity.
- The contractor is to comply with all pertinent codes and by-laws.
- The contractor is to maintain a positive surface run-off throughout the entire construction period.
- The Landscape Architect is not responsible for subsurface conditions.
- The contractor is to identify all existing trees to remain on site with the Landscape Architect prior to construction.
- The contractor is to stake the proposed location of all plant material in conjunction with the Landscape Architect prior to excavation.
- Minimum distances for selected deciduous trees are as follows:
 - Building Foundations 7.5m
 - Sidewalks 1.5m
 - Public Streets 2.5m
 - Underground Infrastructure 2.0m
- All trees within 1m of underground utility trenches are to be excavated by hand.
- Remove all protective wrapping from tree trunks after installation.
- Staking of trees shall only be performed if necessary.
- Ensure that mulch is pulled back a min. distance of 75mm from base of tree trunk.

1 TREE CONSERVATION REPORT & LANDSCAPE PLAN
SCALE 1:250

