

LANDSCAPE NOTES:

1. ALL WORK TO BE CARRIED OUT IN ACCORDANCE WITH BY-LAWS AND CODES HAVING JURISDICTION OVER SITE LOCATION.
2. COMPLETE ALL WORK TO THE SATISFACTION OF THE LANDSCAPE ARCHITECT.
3. REPORT ANY CHANGES, DISCREPANCIES OR SUBSTITUTIONS TO THE LANDSCAPE ARCHITECT FOR REVIEW. OBTAIN APPROVAL FROM THE LANDSCAPE ARCHITECT BEFORE PROCEEDING.
4. IT IS THE CONTRACTOR'S RESPONSIBILITY TO DETERMINE EXISTING SERVICE LOCATIONS SUCH AS HYDRO VAULTS, METERS, UTILITIES, ROOF RAIN WATER LEADERS, DRIVEWAYS, LIGHT STANDARDS, ETC.
5. EXACT LOCATIONS OF PLANT MATERIAL WILL BE DETERMINED BY PLACEMENT OF SITE SERVICES.
6. ALL PLANT MATERIAL LOCATIONS TO BE STAKED OR MARKED OUT AND APPROVED BY LANDSCAPE ARCHITECT PRIOR TO INSTALLATION.
7. SUPPLY ALL PLANT MATERIAL IN ACCORDANCE WITH THE CANADIAN STANDARDS FOR NURSERY STOCK (8th Ed.).
8. INSTALL PLANT MATERIAL ACCORDING TO DETAILS SHOWN.
9. DISTURBED SOIL AREAS AROUND TREES AND SHRUBS ARE TO BE COVERED WITH SHREDDED CONIFER BARK MULCH SUCH AS CANADA RED OR GPO-BARK SPM MULCH, OR APPROVED EQUIVALENT. ALTERNATIVE MULCHES MUST BE APPROVED BY THE LANDSCAPE ARCHITECT.
10. CONTRACTOR TO UTILIZE LAYOUT DIMENSIONS WHERE PROVIDED.
11. PROVIDE PLANTING BED AREA AS NOTED ON THE DRAWING OR TO ACCOMMODATE MATURE SIZE OF PLANT MATERIAL.
12. ALL SUPPORT SYSTEMS MUST BE REMOVED BY THE CONTRACTOR AT TIME OF FINAL ACCEPTANCE. NO EXTRAS WILL BE PAID TO COMPLETE THIS WORK.
13. SUPPLY AND PLACE TOPSOIL IN ACCORDANCE WITH OPSS 570 TO A MINIMUM DEPTH OF 150mm UNLESS OTHERWISE SPECIFIED.
14. SUPPLY AND PLACE 900 IN ACCORDANCE WITH OPSS 571 UNLESS OTHERWISE SPECIFIED.
15. SUPPLY AND PLACE SEED IN ACCORDANCE WITH OPSS 572 UNLESS OTHERWISE SPECIFIED. ALL 5:1 OR GREATER SLOPES TO BE SEED WITH TACIFIER. CONTRACTOR TO PROVIDE NECESSARY EROSION CONTROL PROTECTION AS REQUIRED TO ENSURE SOIL STABILIZATION AND PROPER SEED GERMINATION.
16. ALL DIMENSIONS IN METRES UNLESS OTHERWISE NOTED.
17. IF DISCREPANCIES ARISE BETWEEN PLANT MATERIAL COUNT SHOWN ON DRAWING AND PLANT LIST, THE DRAWING SHALL BE CONSIDERED CORRECT.
18. CONTRACTOR TO PROVIDE MINIMUM TWO (2) YEAR WARRANTY FROM DATE ACCEPTED ON ALL WORK UNLESS OTHERWISE SPECIFIED.
19. ANY SITE PLAN OR GRADING AND SERVICING SHOWN IS FOR INFORMATION ONLY. REFER TO APPROVED DRAWINGS.
20. NOT FOR CONSTRUCTION UNLESS STAMPED, SIGNED AND DATED BY LANDSCAPE ARCHITECT.
21. DRAWINGS NOT TO BE REPRODUCED WITHOUT WRITTEN CONSENT FROM LANDSCAPE ARCHITECT.
22. APPROVAL OF LANDSCAPE PLAN TO BE OBTAINED FROM MUNICIPALITY.
23. FOR GRADING AND SERVICING INFORMATION REFER TO THE CONSULTING ENGINEERS DRAWINGS.
24. FOR LIGHTING INFORMATION AND POWER DISTRIBUTION REFER TO THE ELECTRICAL CONSULTANT'S DRAWINGS.

PLANT SCHEDULE:

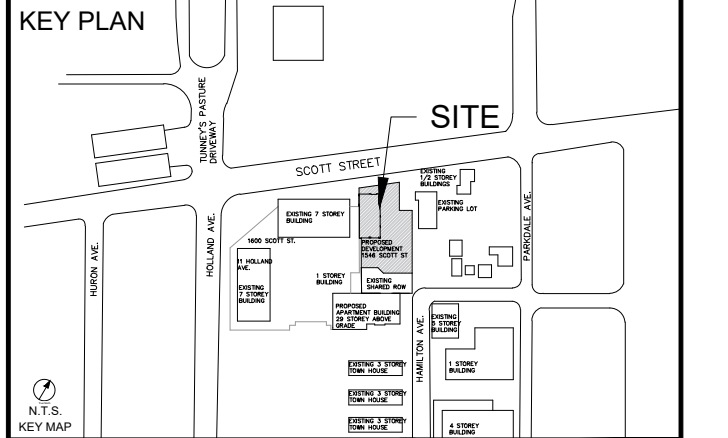
KEY	QTY.	BOTANICAL NAME	COMMON NAME	GALIPER (mm)	SIZE (cm)	CONDITION/FORM	MIN. O.C. SPACING (m)
TREES							
AgF	2	<i>Acer ginnala 'Flame'</i>	Flame Amur Maple		250	Multi Stem	As Per Plan
CJ	5	<i>Cercidiphyllum japonicum</i>	Katsura Tree		300	Multi Stem	As Per Plan
GbP	6	<i>Ginkgo biloba 'Princeton Sentry'</i>	Maidenhair Tree	60		W.B.	As Per Plan
TOTAL:	13						
SHRUBS							
AaR	13	<i>Amelanchier alnifolia 'Regent'</i>	Regent Saskatoon Berry		100	7 Gal.	0.5
Cs	22	<i>Cornus stolonifera</i>	Arctic Fire® Red Red-Osier Dogwood		60	3 Gal.	0.5
DxK	16	<i>Diervilla x splendens "Kodiak® Orange"</i>	Bush-honeysuckle		60	3 Gal.	1
HaA	12	<i>Hydrangea aborescens 'Annabelle'</i>	Annabelle Hydrangea		60	3 Gal.	1
HaQ	19	<i>Hydrangea aborescens 'Quick Fire'</i>	Quick Fire Hydrangea		60	3 Gal.	1
SmP	13	<i>Syringa meyeri 'Palibin'</i>	Dwarf Korean Lilac		100	5 Gal.	1.25
TC	14	<i>Taxus canadensis</i>	Canada Yew		60	5 Gal.	5
WwV	69	<i>Weigela florida 'Verweig'</i>	My Monet Weigela		60	3 Gal.	1.25
TOTAL:	178						
PERENNIALS & GRASSES							
AaF	37	<i>Astilbe arendsii 'Fanal'</i>	Astilbe Fanal			1 Gal.	0.5
AcV	56	<i>Astilbe chinensis 'Vision in White'</i>	Chinese Astilbe			1 Gal.	0.5
CaK	44	<i>Calamagrostis acutiflora 'Karl Foerster'</i>	Karl Foerster Feather Reed Grass			1 Gal.	0.5
Cc	173	<i>Cornus canadensis</i>	Bunchberry			1 Gal.	0.3
DgF	60	<i>Dianthus gratianopolitanus 'Firewitch'</i>	Firewitch Garden Pinks			1 Gal.	0.5
EpP	17	<i>Echinacea purpurea 'PowWow White'</i>	Purple Coneflower			1 Gal.	0.5
HA	119	<i>Hosta 'August Moon'</i>	August Moon Hosta			2 Gal.	0.6
HbW	31	<i>Hosta 'Blue Wedgewood'</i>	Blue Wedgewood Hosta			2 Gal.	0.6
HeS	60	<i>Hemerocallis 'Stella D'Oro'</i>	Stella D'Oro Daylily			1 Gal.	0.5
Hp	50	<i>Hosta 'Patriot'</i>	Plantain Lily Hosta			2 Gal.	0.6
Hs	35	<i>Heuchera 'Silver Gumdrops'</i>	Coral Bells			1 Gal.	0.5
LxS	74	<i>Leucanthemum superbum 'Snowcap'</i>	Shasta Daisy			2 Gal.	0.6
MsP	29	<i>Miscanthus sinensis 'Purpurascens'</i>	Flame Grass			2 Gal.	0.5
PsC	55	<i>Phlox subulata 'Candy Stripe'</i>	Candy Stripe Creeping Phlox			1 Gal.	0.5
PsW	95	<i>Phlox subulata 'White Delight'</i>	White Delight Creeping Phlox			1 Gal.	0.5
Sy	26	<i>Salvia yangii</i>	Russian sage			3 Gal.	1
TOTAL:	961						



COPYRIGHT
 This drawing has been prepared solely for the intended use. Any reproduction or distribution for any purpose other than authorized by IBI Group is forbidden. Written dimensions shall have precedence over scaled dimensions. Contractors shall verify and be responsible for all dimensions and conditions on the job, and IBI Group shall be informed of any variations from the drawings and conditions shown on the drawing. Shop drawings shall be submitted to IBI Group for general concurrence before proceeding with fabrication.
IBI Group Professional Services (Canada) Inc.
 is a member of the IBI Group of companies.

ISSUES

No.	DESCRIPTION	DATE
1	ISSUED FOR DESIGN REVIEW	2022-08-10
2	ISSUED FOR SPA SUBMISSION	2023-02-14



- LEGEND**
- TOPSOIL AND SOD AS SPECIFIED MINIMUM 150mm TOPSOIL DEPTH
 - CONCRETE PAVING
 - PAVESTONE
 - PROPOSED DECIDUOUS SHADE TREE
 - PROPOSED DECIDUOUS MULTISTEM TREE
 - PROPOSED DECIDUOUS ORNAMENTAL TREE
 - PROPOSED CONIFEROUS TREE
 - PROPOSED SHRUBS
 - PROPOSED PERENNIALS
 - PROPOSED ORNAMENTAL GRASSES
 - PLANT SPECIES QUANTITY
 - DETAIL NUMBER SHEET NUMBER



IBI GROUP
 Suite 101 - 410 Albert Street
 Waterloo ON N2L 3V3 Canada
 Tel: 519 565 2255
 ibigroup.com

PROJECT
 1546 SCOTT ST
 CITY OF OTTAWA

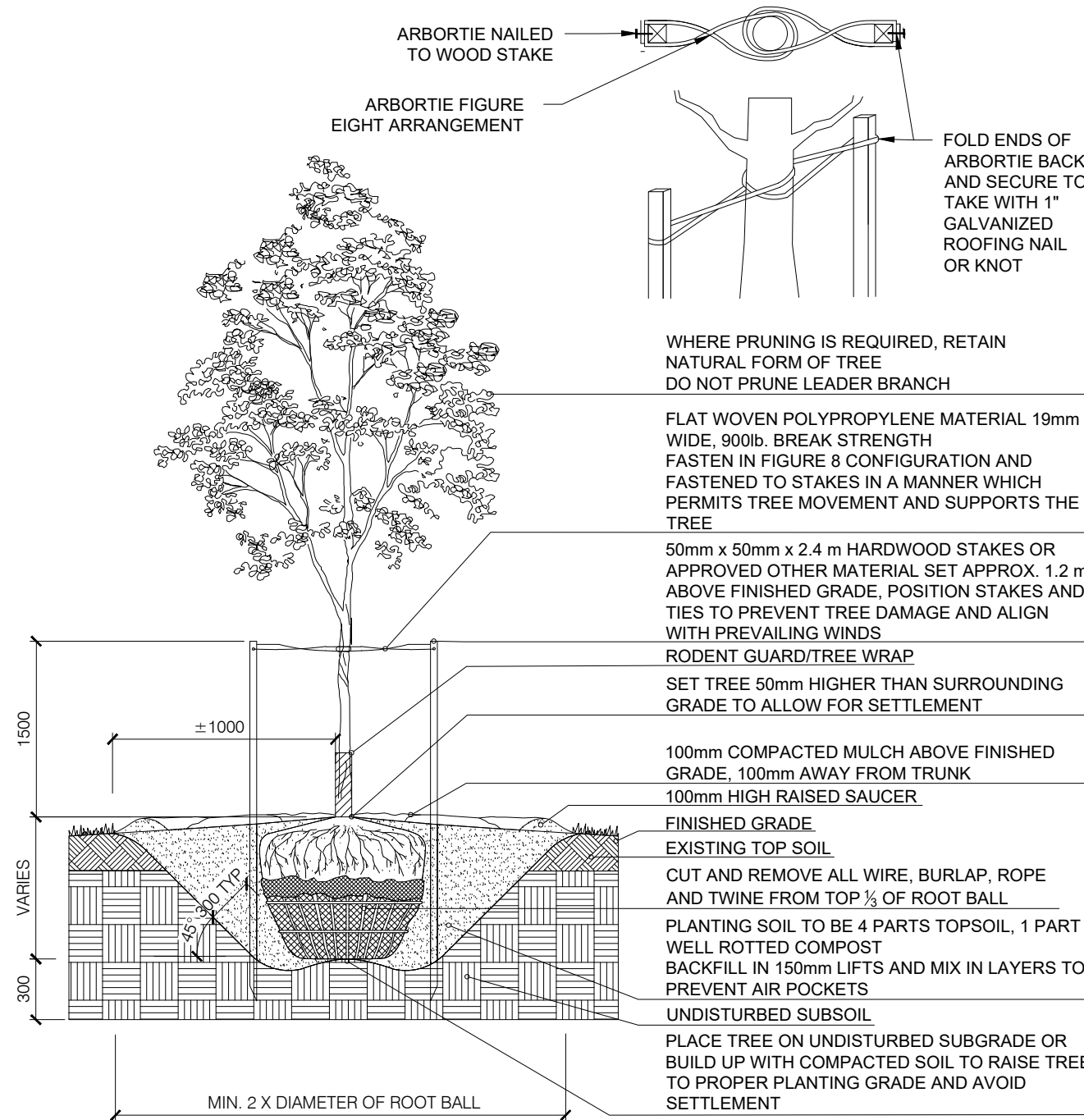
PROJECT NO: 132902 **SCALE:** 1:150
DRAWN BY: E.L. **CHECKED BY:** M.P.
PROJECT MGR: T.M. **APPROVED BY:** T.M.

SHEET TITLE
 LANDSCAPE PLAN

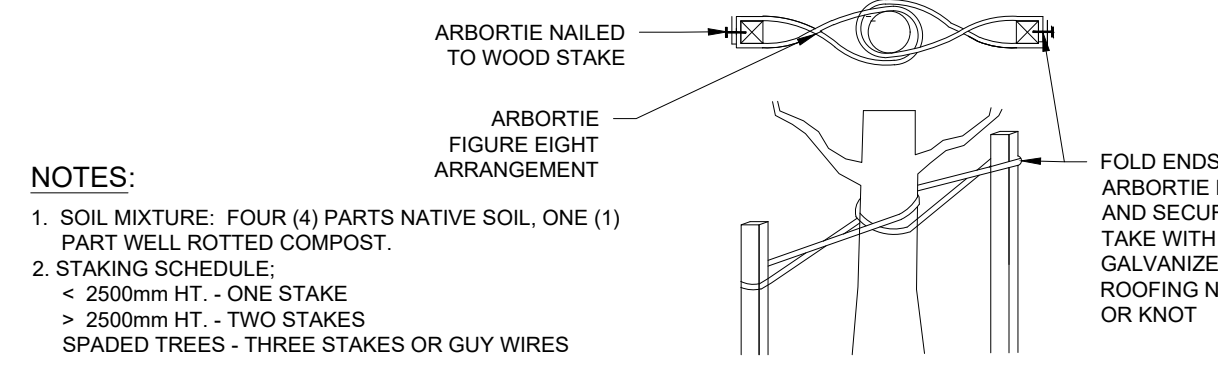
SHEET NUMBER L-1 **ISSUE** 2

File Location: \\132902_1546_Scott7_0_Production\7_03_Design\7_03_Design\132902_1546_Scott7_LP.dwg Plotted: Friday, February 24, 2023 11:23:23 PM by Erick.Li 1/10

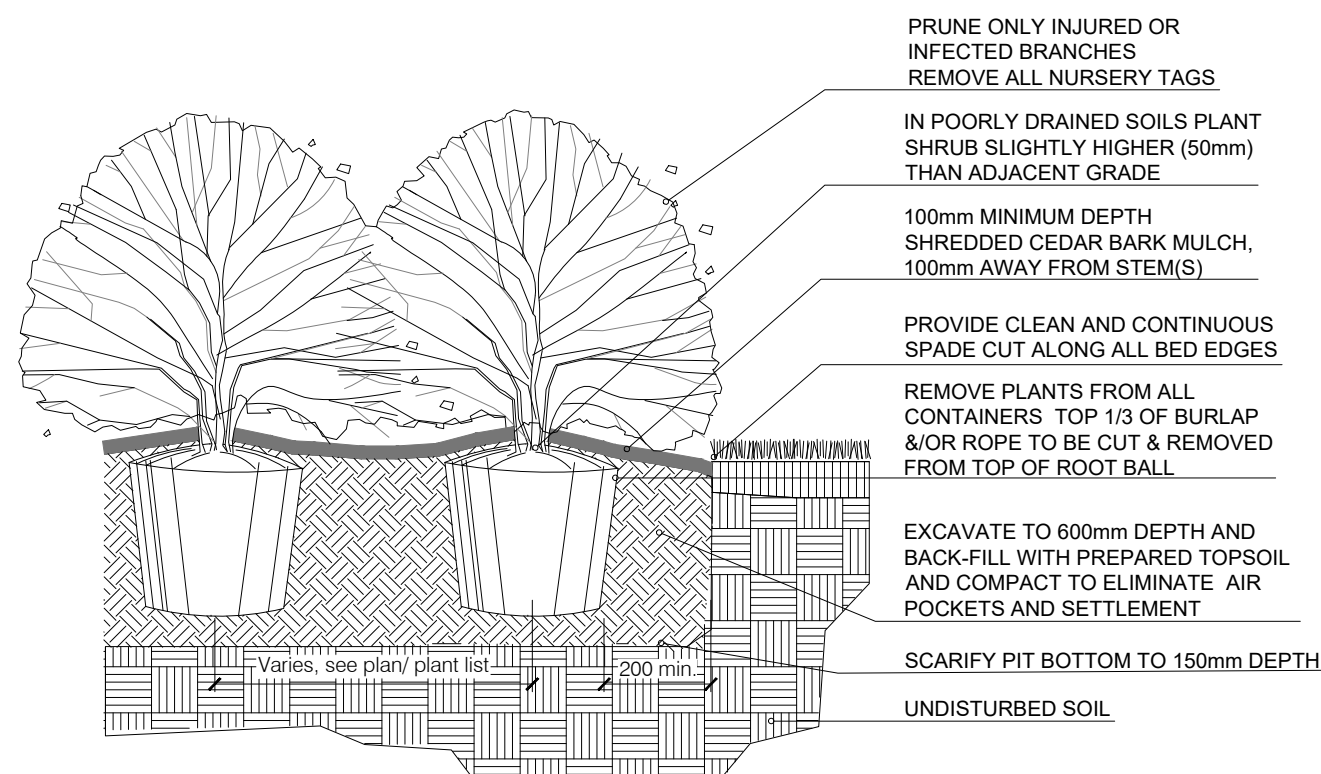
CONIFEROUS TREE STAKING SCHEDULE:
 < 2500mm HT. - ONE STAKE
 > 2500mm HT. - TWO STAKES



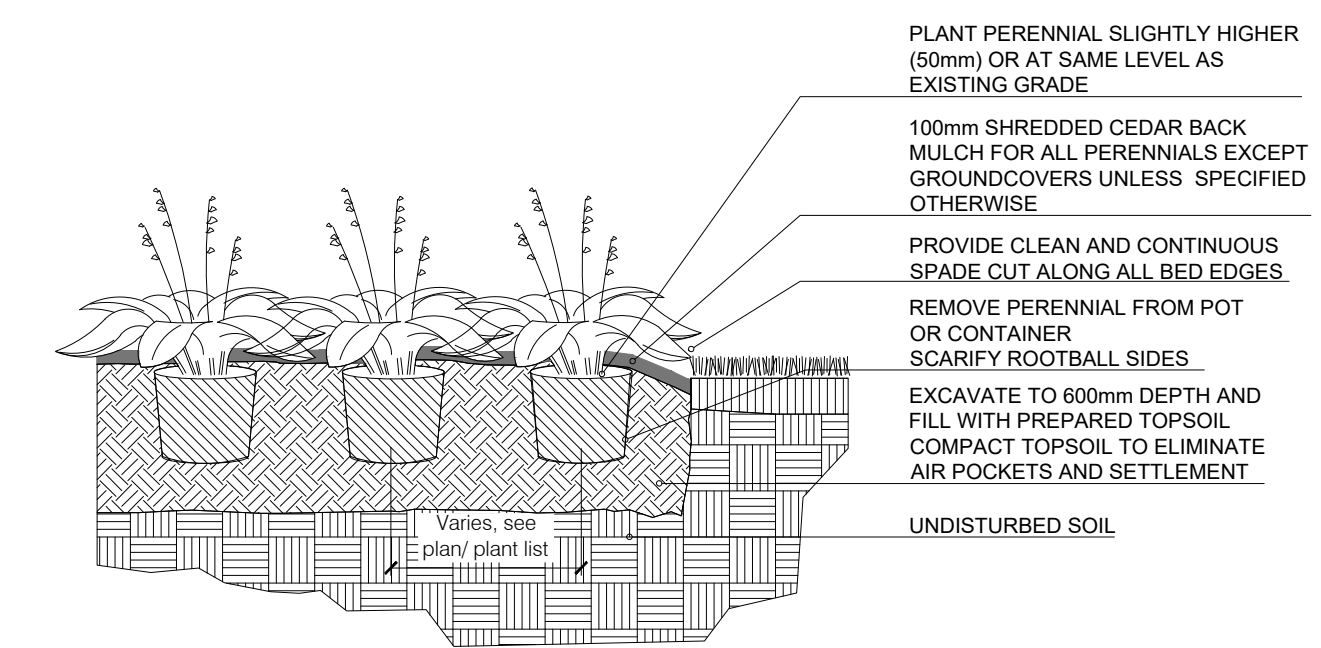
1 BALLED & BURLAPPED/WIRE BASKET DECIDUOUS/CONIFEROUS TREE
 LD1 N.T.S.



4 BALLED & BURLAPPED/WIRE BASKET CONIFEROUS TREE
 LD1 N.T.S.

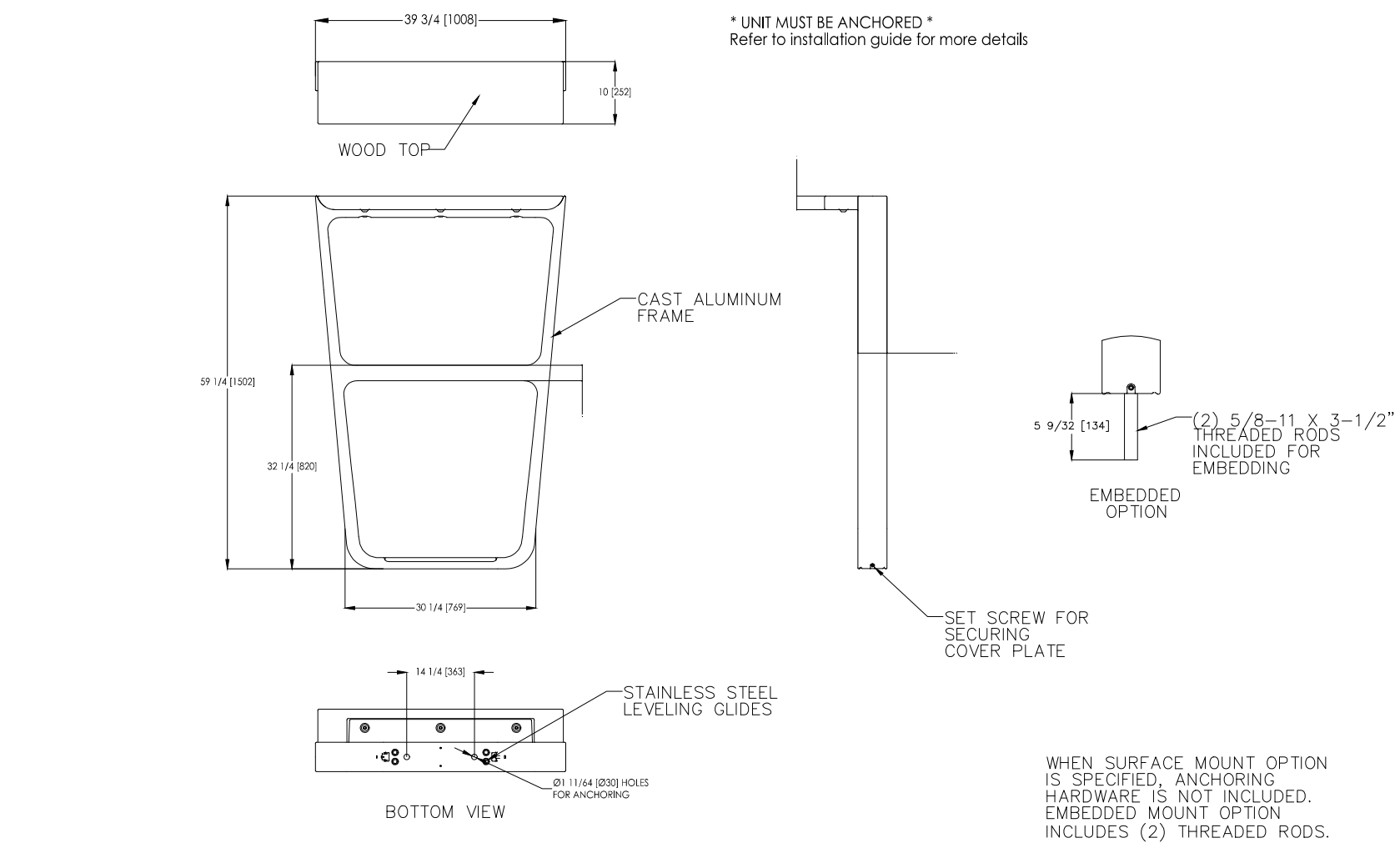


2 BALLED AND BURLAPPED/POTTED SHRUB
 LD1 N.T.S.



3 CONTAINER GROWN PERENNIAL/GRASS
 LD1 N.T.S.

Multiplicity
 Product Drawing
 Date: 5/5/2015
 www.landscapeforms.com Ph: 800.521.2546



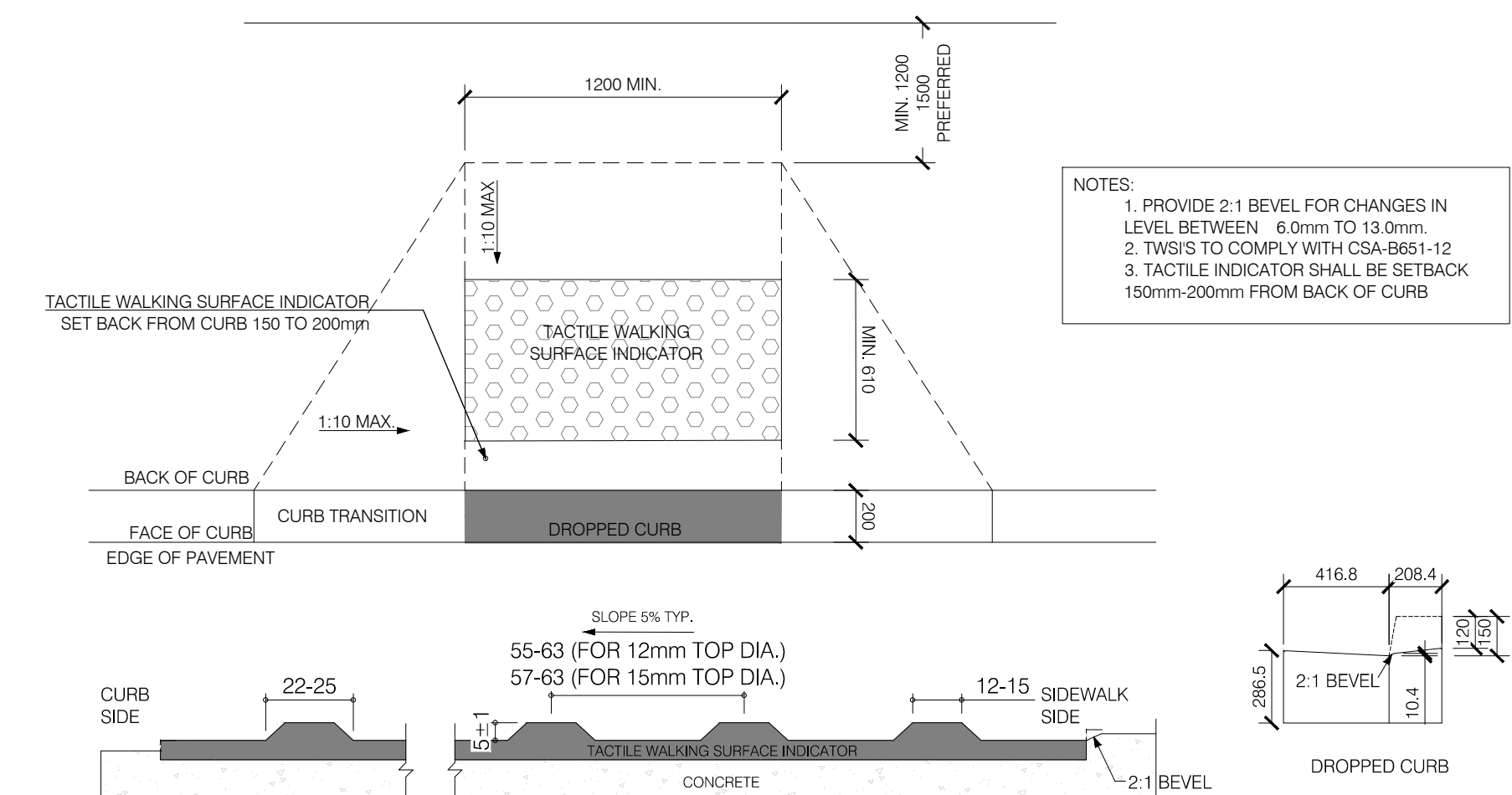
5 BIKE RACK (MultiCITY Bike Rack BY LANDSCAPEFORMS)
 LD1 N.T.S.

GENERAL NOTES

- Any ambiguity in the drawings, specifications or details are to be reported to the Landscape Architect for direction. These drawings shall not be used for construction unless stamped and signed by the Landscape Architect. The Contractor is not to proceed in uncertainty. The limits of work are to be clearly understood by the Contractor prior to any work taking place on the site.
- All dimensions are in meters unless otherwise noted. The drawings may be scaled for approximate layout. The Contractor is to verify all dimensions on the drawing(s) and report any discrepancies to the Landscape Architect.
- The Contractor is to locate and mark all infrastructure and utilities prior to any excavation work or planting on the site. Do not plant directly above underground utilities or infrastructure unless approved by the Landscape Architect. Dig all holes by hand when closer than 1.0m to any underground power, telephone or gas utility. The Contractor is responsible for the coordination and maintenance of all utility/infrastructure located for the duration of the Contract.
- The Contractor shall supply all materials in quantities sufficient to complete work shown on these drawings. The Contractor is not to substitute materials, products or quantities without prior written consent of the Landscape Architect.
- The Contractor is to take all necessary precautions to protect all existing site features unless specified for removal/demolition. This includes all survey bars, stakes, monuments and sediment barriers. The Contractor is responsible for any damages incurred during construction and must make all necessary restorations and repairs to original or better condition.
- All existing trees, shrubs, and herbaceous plants beyond the limit of work are to be protected from construction damage. This includes but is not limited to: not storing construction materials or fuel within the dripline of an existing tree, not altering existing grades or compacting soil around protected vegetation and taking care not to disturb or expose the roots of any existing trees. The Contractor is responsible for all protection or hoarding measures of all existing trees and vegetation to be preserved within or adjacent to construction work limits.
- Contractor is responsible for the removal of all debris, garbage and surplus materials on site related to their contract or work and must keep the site in a clean, safe, useable condition at all times or as directed by the Contract Administrator.

PLANTING NOTES

- The Contractor must notify the Landscape Architect prior to the commencement of any planting. The Contractor shall supply all plants and materials in quantities sufficient to complete the work shown on this drawing. Any discrepancies between quantities shall be reported to the Landscape Architect.
- All landscape works will be warranted for a period of two years following inspection and written notice of start of warranty period as determined and provided by the Landscape Architect. Plant material, which is not in a healthy, vigorous growing condition at the end of the warranty period, shall be replaced to the satisfaction of the Landscape Architect / Owner.
- The Landscape Architect reserves the right to extend Contractor's warranty responsibilities for an additional year if, at the end of initial warranty period, leaf development and growth is not sufficient to ensure future survival as determined by the Landscape Architect.
- The Contractor is to identify with Landscape Architect/Owner any maintenance requirements necessary for warranty purposes.
- Plant materials specified for this project will conform to the Canadian Nursery Landscape Association (C.N.L.A.) for size, variety and condition as indicated on the plant schedule shown on these drawings. Any plant materials which do not conform will be promptly removed from the site and replaced by the Contractor at no additional cost to the project.
- The Landscape Architect is to be contacted for inspection and written approval prior to plant material arriving on site. The Landscape Architect reserves the right to reject any plant materials that have not been inspected and approved.
- The Landscape Architect reserves the right to refuse acceptance of any plant displaying poor growth habits, injury or disease. Any plant material that is rejected by the Landscape Architect will be promptly removed from the site and replaced with material of acceptable quality at no additional charge to the project.
- Plant materials collected from wild sources will not be accepted without written approval of the Landscape Architect. The Landscape Architect reserves the right to require that supplier invoices be submitted for inspection and approval prior to acceptance.
- On-site layout of the plant materials to be approved by the Landscape Architect prior to installation. Minor field adjustments to plant material locations may be necessary to respond to the locations of existing plants and site conditions. The Contractor to review with Landscape Architect where relocations are necessary. The Contractor must receive approval from Landscape Architect prior to installation.
- Plants are not to be installed during extreme heat, drought, or other undesirable conditions. Thoroughly water all plants immediately after installation. The Contractor shall regularly monitor site conditions and water as required to ensure healthy growth conditions throughout the duration of the warranty period.
- Do not plant directly in centerline of drainage swales or depression areas. Where proposed planting locations conflict with constructed swales or low-lying wet areas, contact Landscape Architect for direction.
- All plants are to be planted in accordance with the planting details shown on this drawing. All plants are to be installed vertical and plumb, regardless of ground slope.
- Supply and place topsoil in accordance with OPSS 802 to a minimum depth of 150mm in seed/sod areas and 600mm in planting beds unless otherwise specified. Each source of topsoil, imported or native to be approved by Landscape Architect prior to use. Submit topsoil analysis/test results to Landscape Architect prior to order or delivery to site. Testing to be in accordance with Contract specifications. Prepared topsoil shall be 4 parts topsoil to one part well-rotted compost.
- Mulch: to be spread uniformly around the base of trees and shrubs to a minimum depth of 100 mm. Do not place mulch in direct contact with trunk or stem(s). Allow a 100 mm mulch free zone at trunk/stems. Shrubs to be in continuously mulched planting beds unless otherwise specified.
- Supply and place seed in accordance with OPSS 804 unless otherwise specified. All 5:1 or greater slopes to be seeded with tackifier. All slopes greater than 3:1 shall be matted with an erosion control blanket. Supply and place sod in accordance with OPSS 803 unless otherwise specified.
- The Contractor is to remove dead or damaged branches on trees or shrubs. All pruning shall be performed in accordance with standard horticultural practices and appropriate timing for each species.
- All stakes and associated ties are to be removed after the first full growing season. Rodent guards are to be removed at the conclusion of the warranty period. If utilized, Gatorbags are to be removed for winter months.



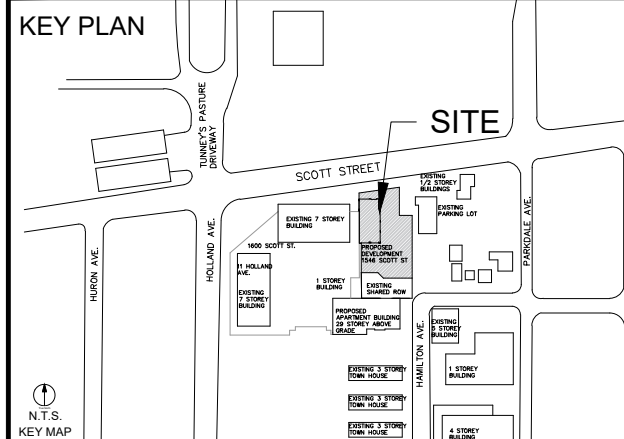
6 MINIMUM STANDARDS FOR ACCESSIBLE CURB RAMP & TACTILE WARNING STRIP
 LD1 N.T.S.



COPYRIGHT
 This drawing has been prepared solely for the intended use. Any reproduction or distribution for any purpose other than that authorized by IBI Group is forbidden. Written dimensions shall have precedence over scaled dimensions. Contractors shall verify and be responsible for all dimensions and conditions on the job, and IBI Group shall be informed of any variations from the dimensions and conditions shown on the drawing. Shop drawings shall be submitted to IBI Group for general conformance before proceeding with fabrication.

IBI Group Professional Services (Canada) Inc.
 is a member of the IBI Group of companies.

ISSUES		
No.	DESCRIPTION	DATE
1	ISSUED FOR DESIGN REVIEW	2022-08-10
2	ISSUED FOR SPA SUBMISSION	2023-02-14



IBI GROUP
 Suite 101 - 410 Albert Street
 Waterloo ON N2L 3V3 Canada
 tel 519 585 2255
 ibigroup.com

PROJECT
1546 SCOTT ST
 CITY OF OTTAWA

PROJECT NO:
132902

SCALE:
NTS

DRAWN BY:
E.L.

CHECKED BY:
T.M.

PROJECT MGR:
T.M.

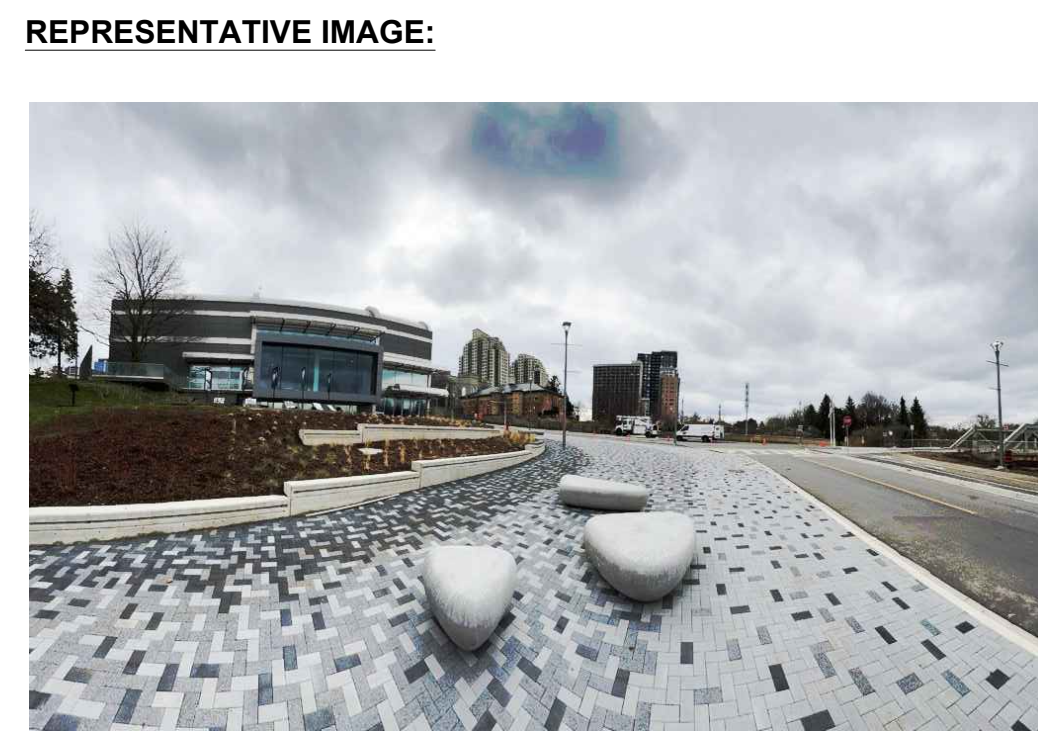
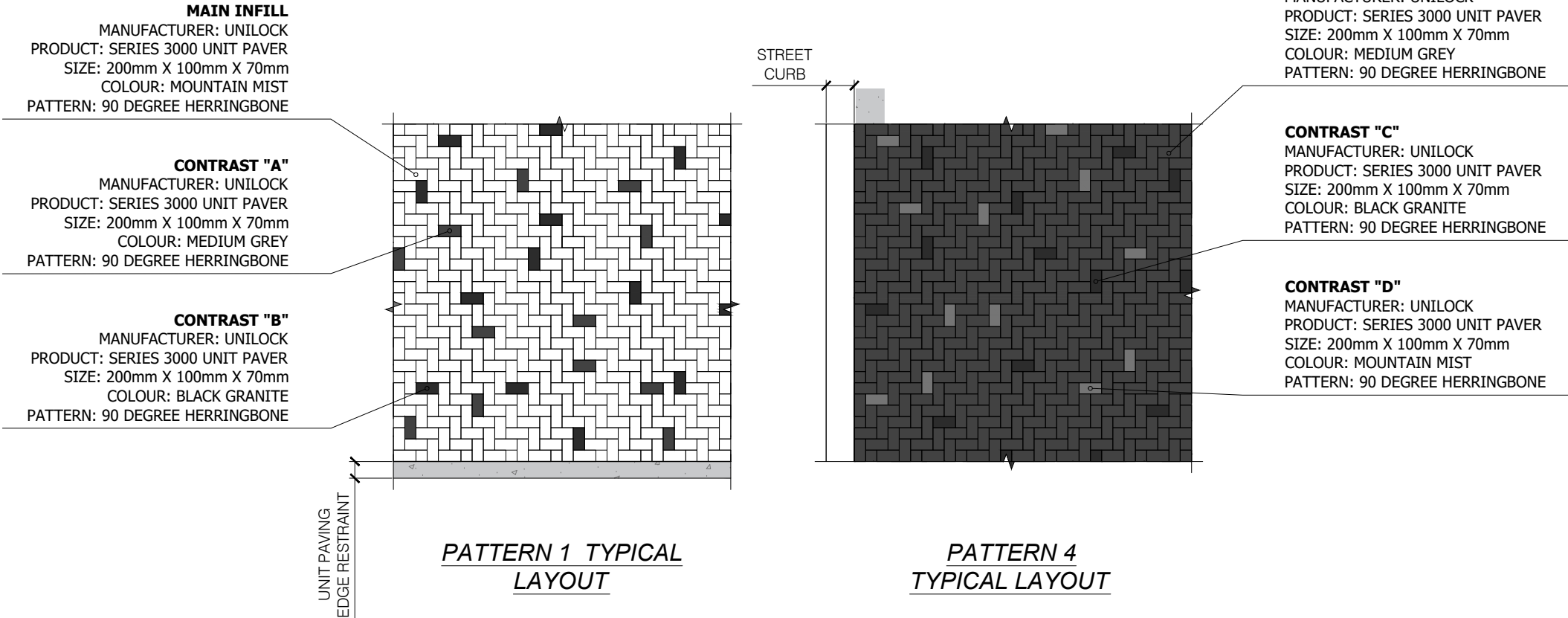
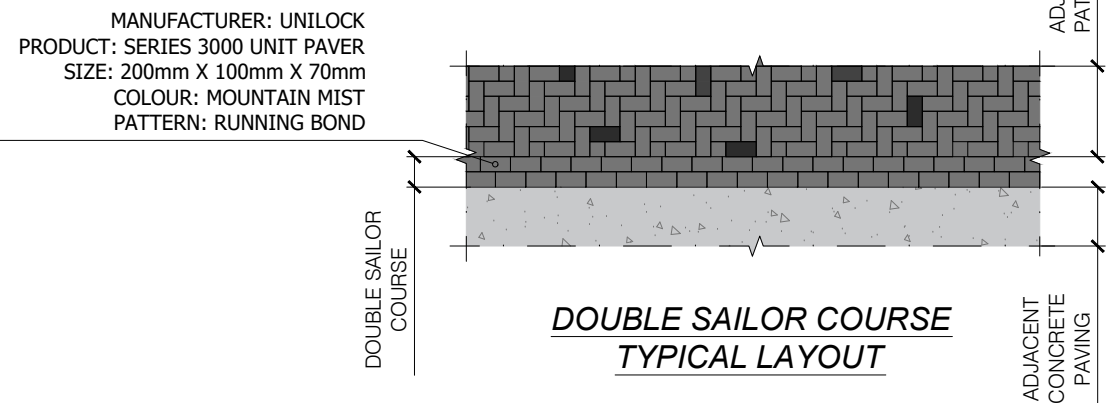
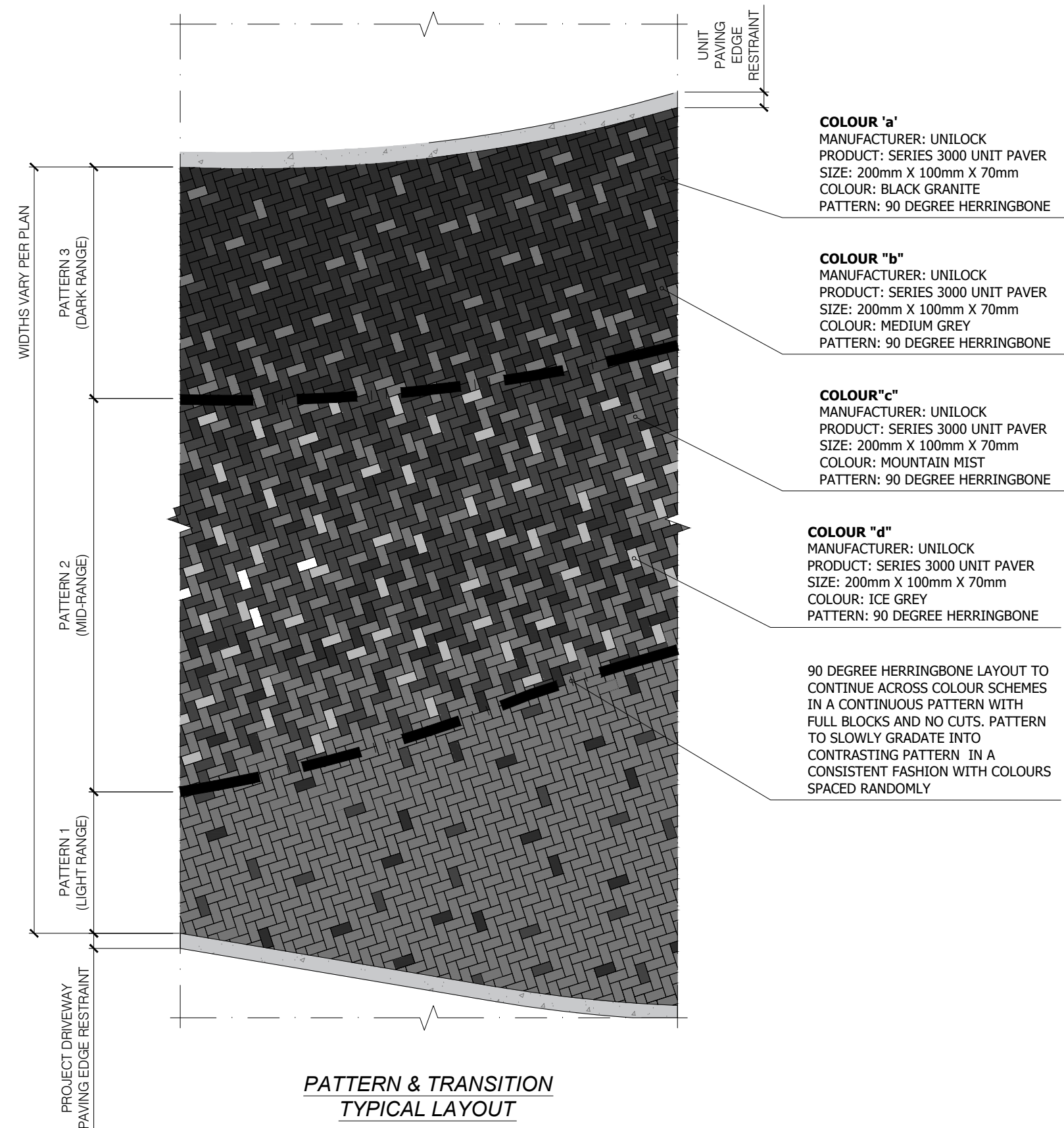
APPROVED BY:
T.M.

SHEET TITLE
LANDSCAPE DETAILS

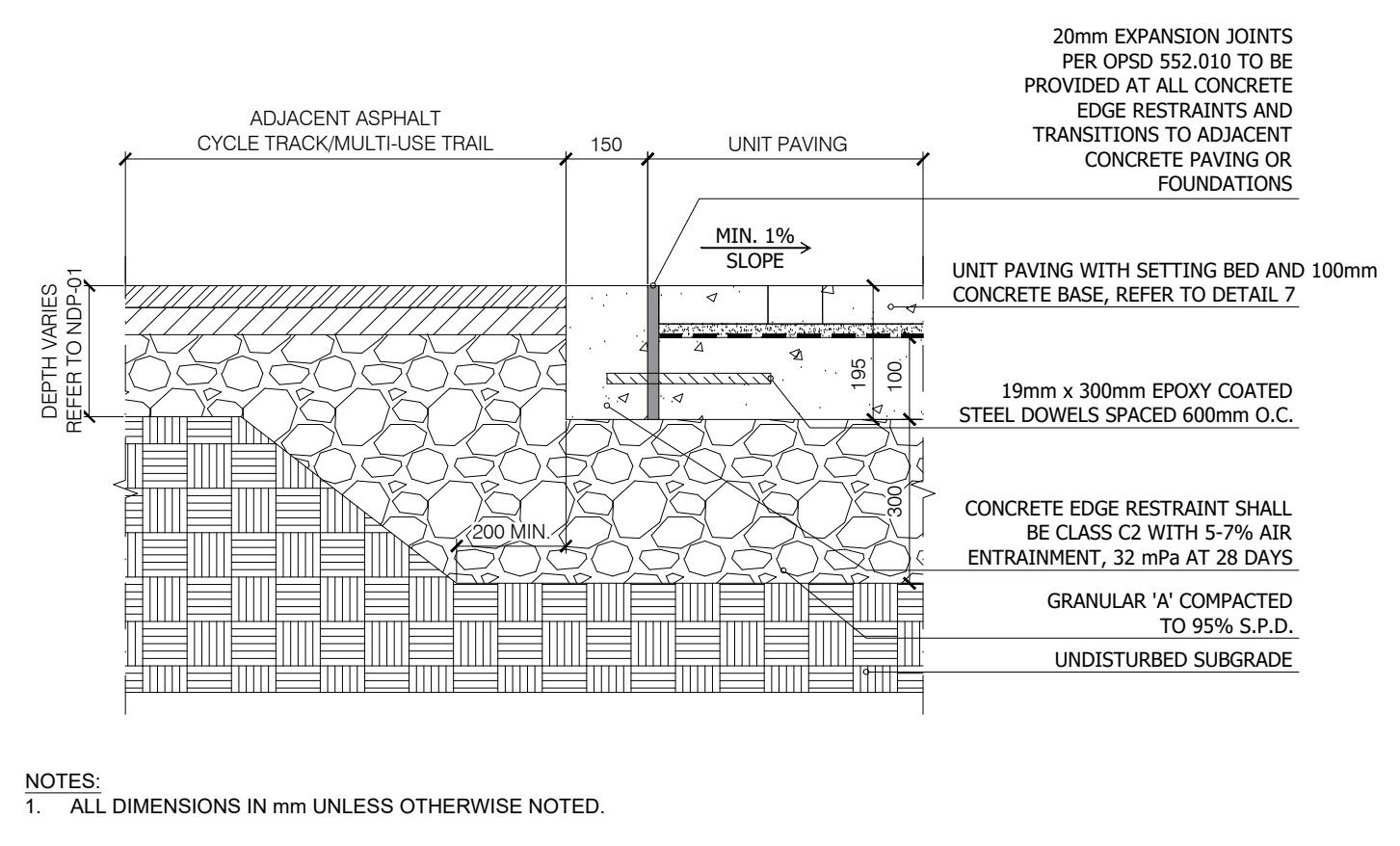
SHEET NUMBER
LD1

ISSUE
2

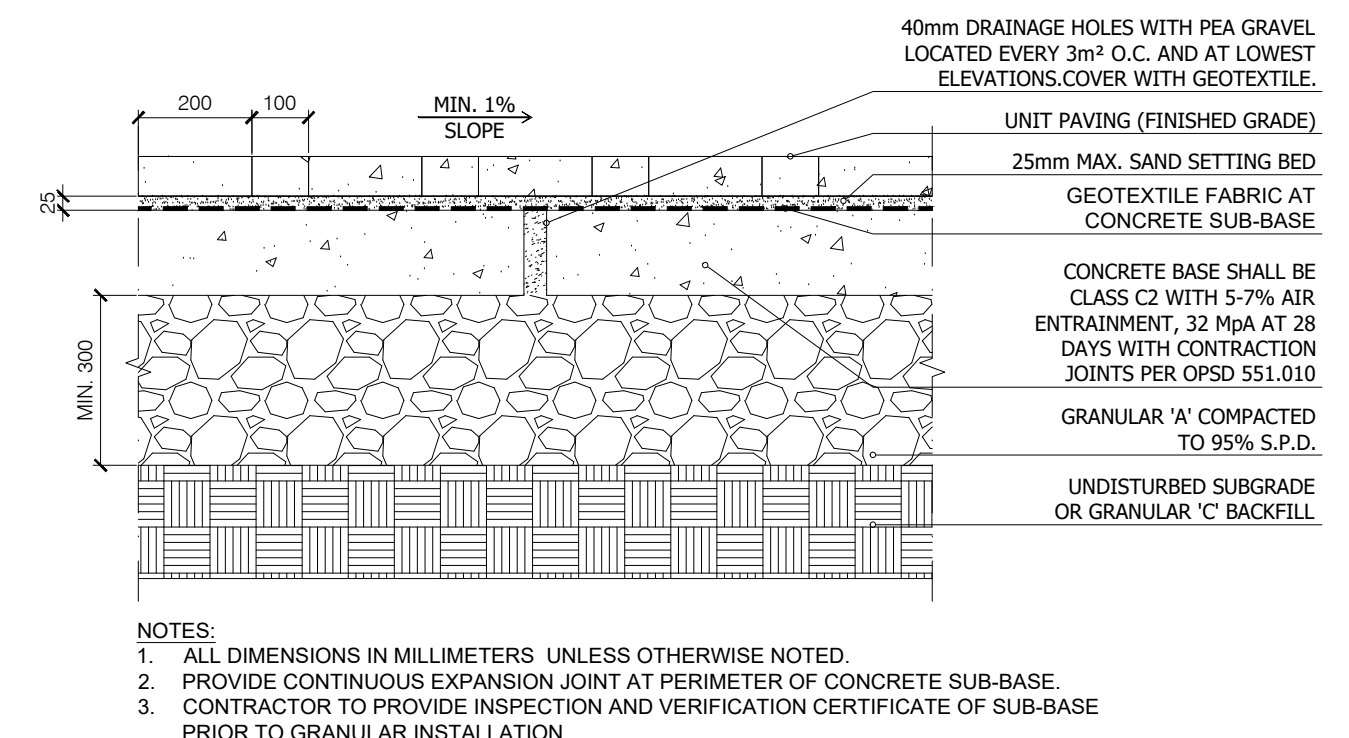
UNIT PAVING PATTERN COLOUR SCHEDULE				
COLOURS	PATTERN 1	PATTERN 2	PATTERN 3	PATTERN 4
BLACK GRANITE	3%	10%	70	3%
MEDIUM GREY	3%	50%	20%	94%
MOUNTAIN MIST	94%	35%	10%	3%
ICE GREY	-	5%	-	-



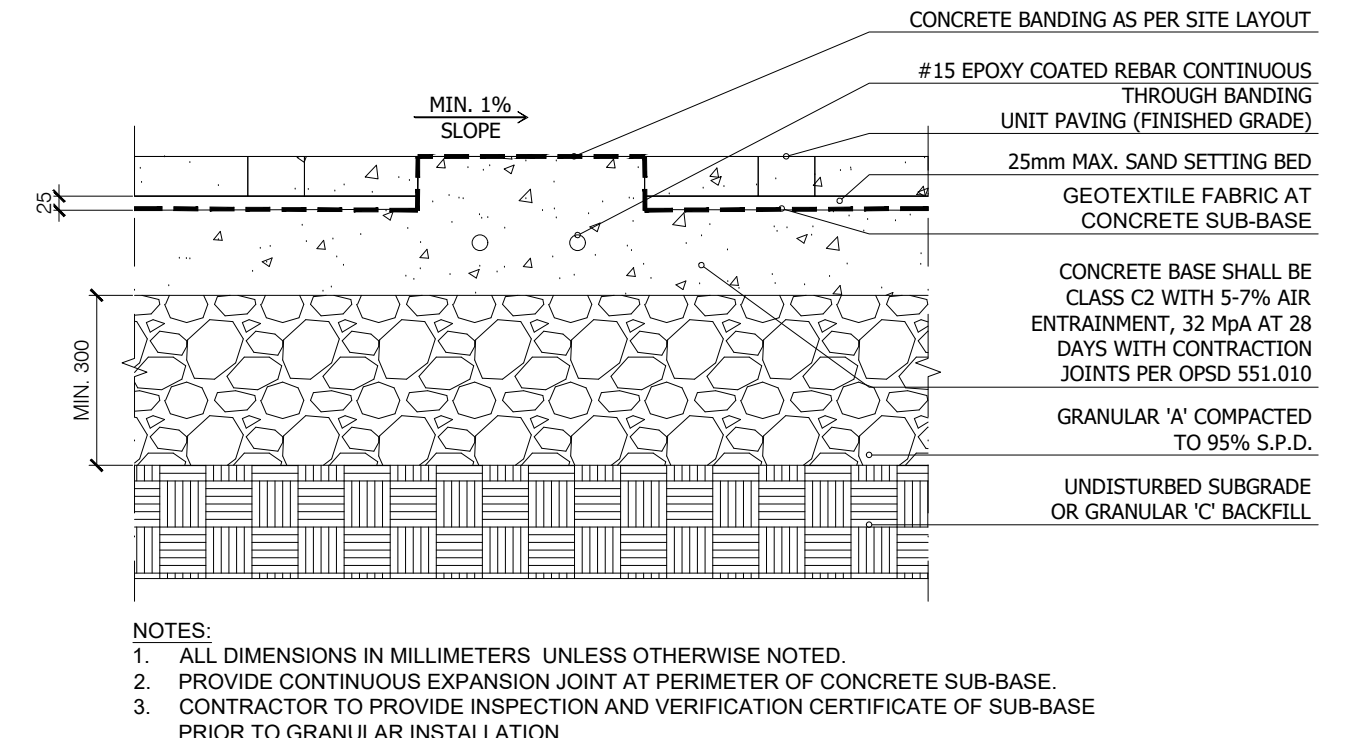
1 UNIT PAVING PATTERNS AND SPECIFICATIONS
LD2 N.T.S.



2 UNIT PAVING EDGE RESTRAINT AT ASPHALT
LD2 N.T.S.



3 UNIT PAVING WITH CONCRETE BASE
LD2 N.T.S.



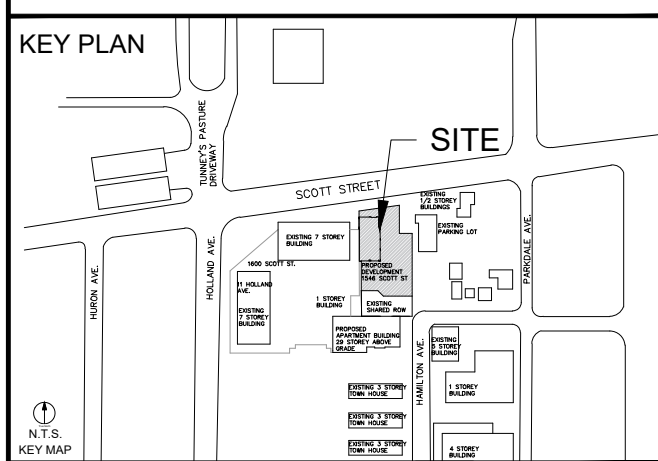
4 UNIT PAVING WITH CONCRETE BANDING
LD2 N.T.S.



COPYRIGHT
This drawing has been prepared solely for the intended use. This any reproduction or distribution for any purpose other than authorized by IBI Group is forbidden. Written dimensions shall have precedence over scaled dimensions. Contractors shall verify and be responsible for all dimensions and conditions on the job, and IBI Group shall be informed of any variations from the dimensions and conditions shown on the drawing. Shop drawings shall be submitted to IBI Group for general concurrence before proceeding with fabrication.

IBI Group Professional Services (Canada) Inc.
is a member of the IBI Group of companies.

ISSUES		
No.	DESCRIPTION	DATE
1	ISSUED FOR DESIGN REVIEW	2022-08-10
2	ISSUED FOR SPA SUBMISSION	2023-02-14



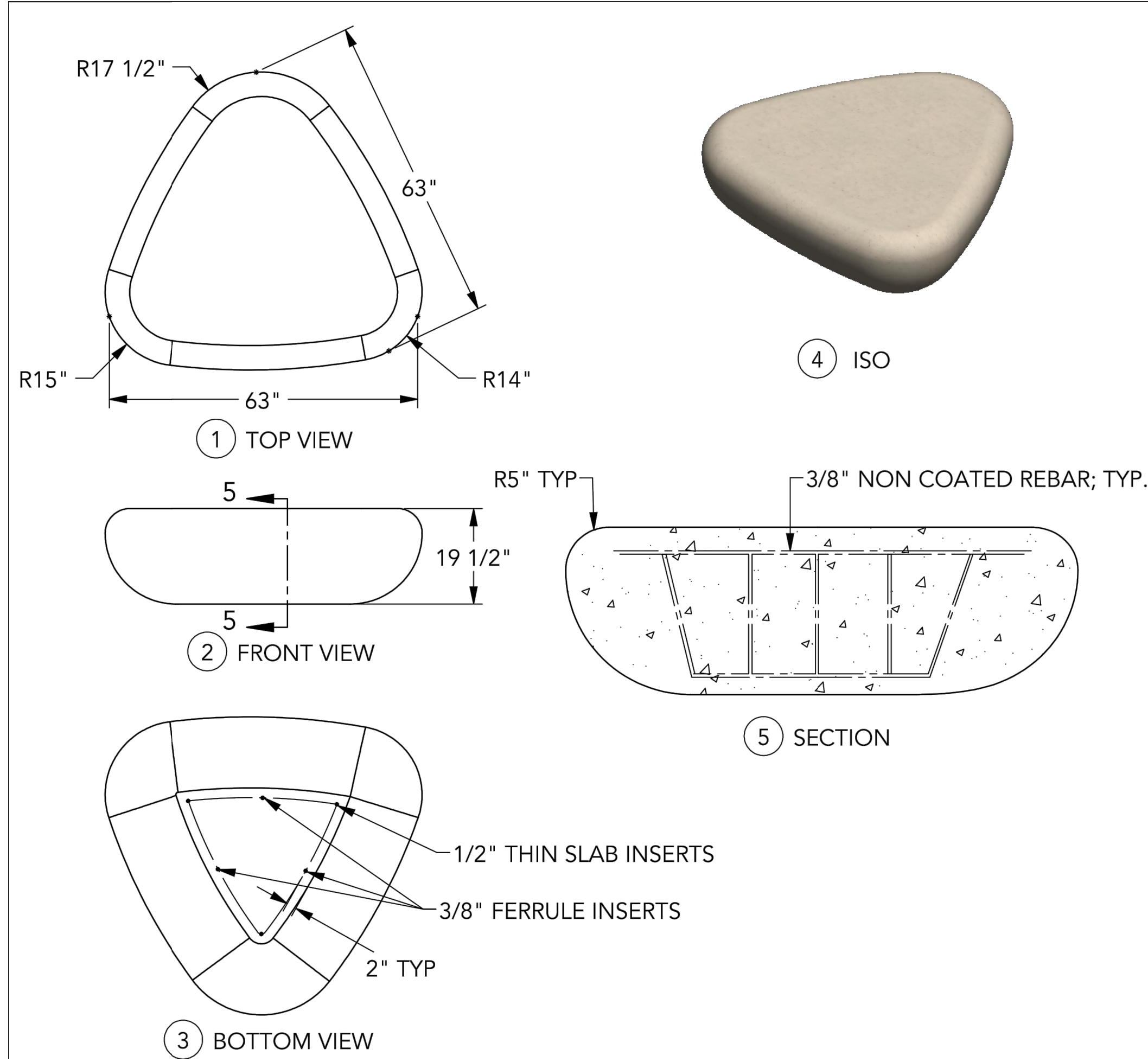
IBI GROUP
Suite 101 - 410 Albert Street
Waterloo ON N2L 3V3 Canada
tel 519 585 2255
ibigroup.com

PROJECT
1546 SCOTT ST
CITY OF OTTAWA

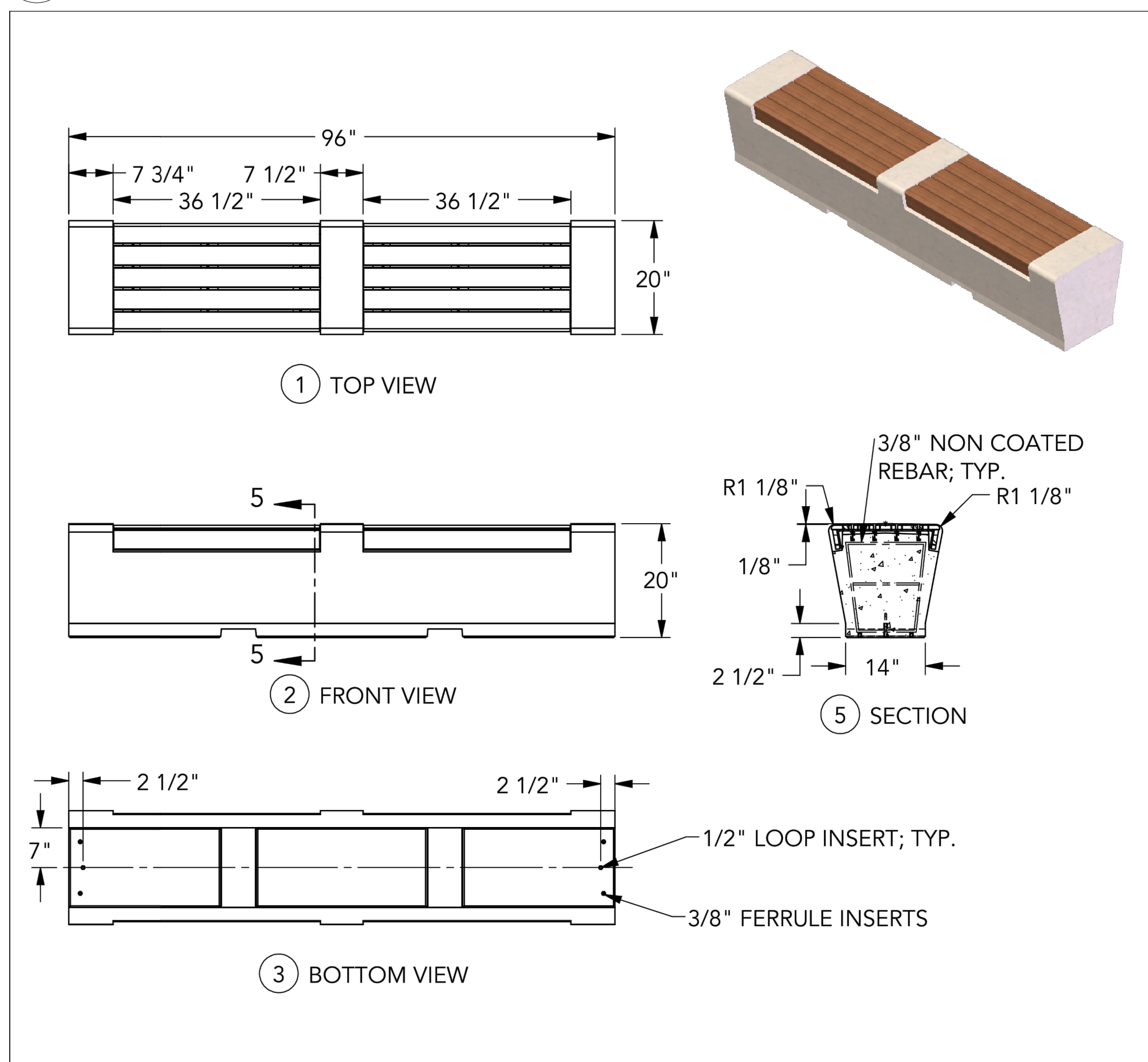
PROJECT NO: 132902
SCALE: NTS
DRAWN BY: E.L.
CHECKED BY: M.P.
PROJECT MGR: T.M.
APPROVED BY: T.M.

SHEET TITLE
LANDSCAPE DETAILS

SHEET NUMBER LD2 **ISSUE** 2



1 WAUSAU CONCRETE BENCH (GALET II) COLOUR: A30 STAR LOCATIONS AS PER PLANS L-1
LD3 N.T.S.



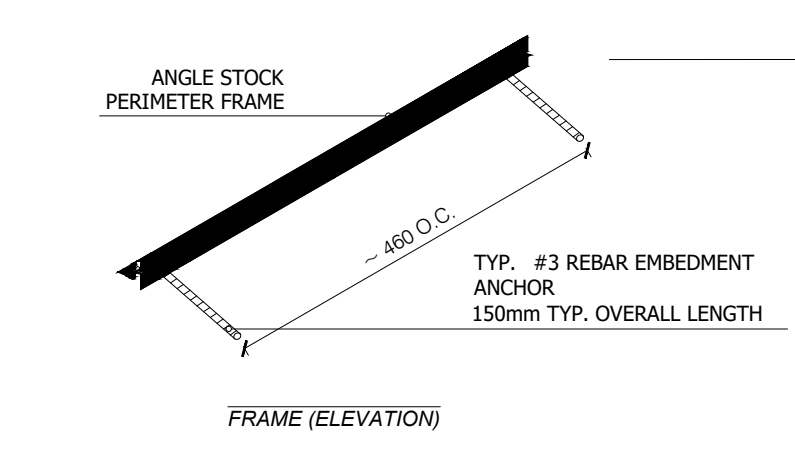
2 WAUSAU BENCH (WOODLINE) COLOUR: A30 STAR - LOCATIONS AS PER PLANS L-1
LD3 N.T.S.



4 ISO

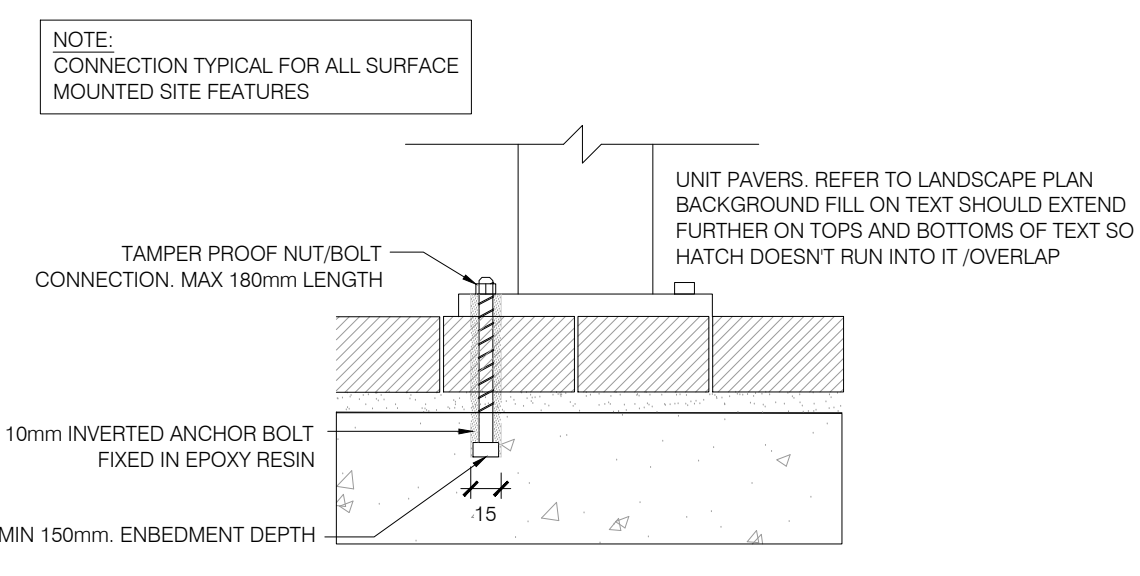


NOTES:
1. THE GALET COLLECTION CONTAINS SIX DIFFERENT TYPES OF BENCHES IN DIFFERENT SHAPES AND DIMENSIONS.

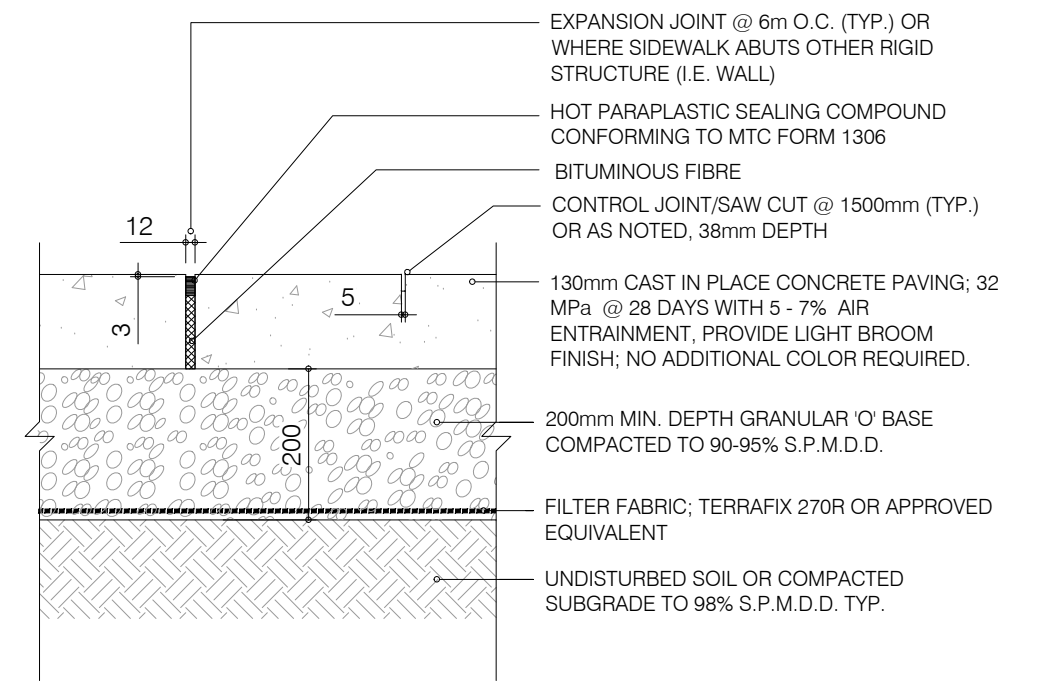
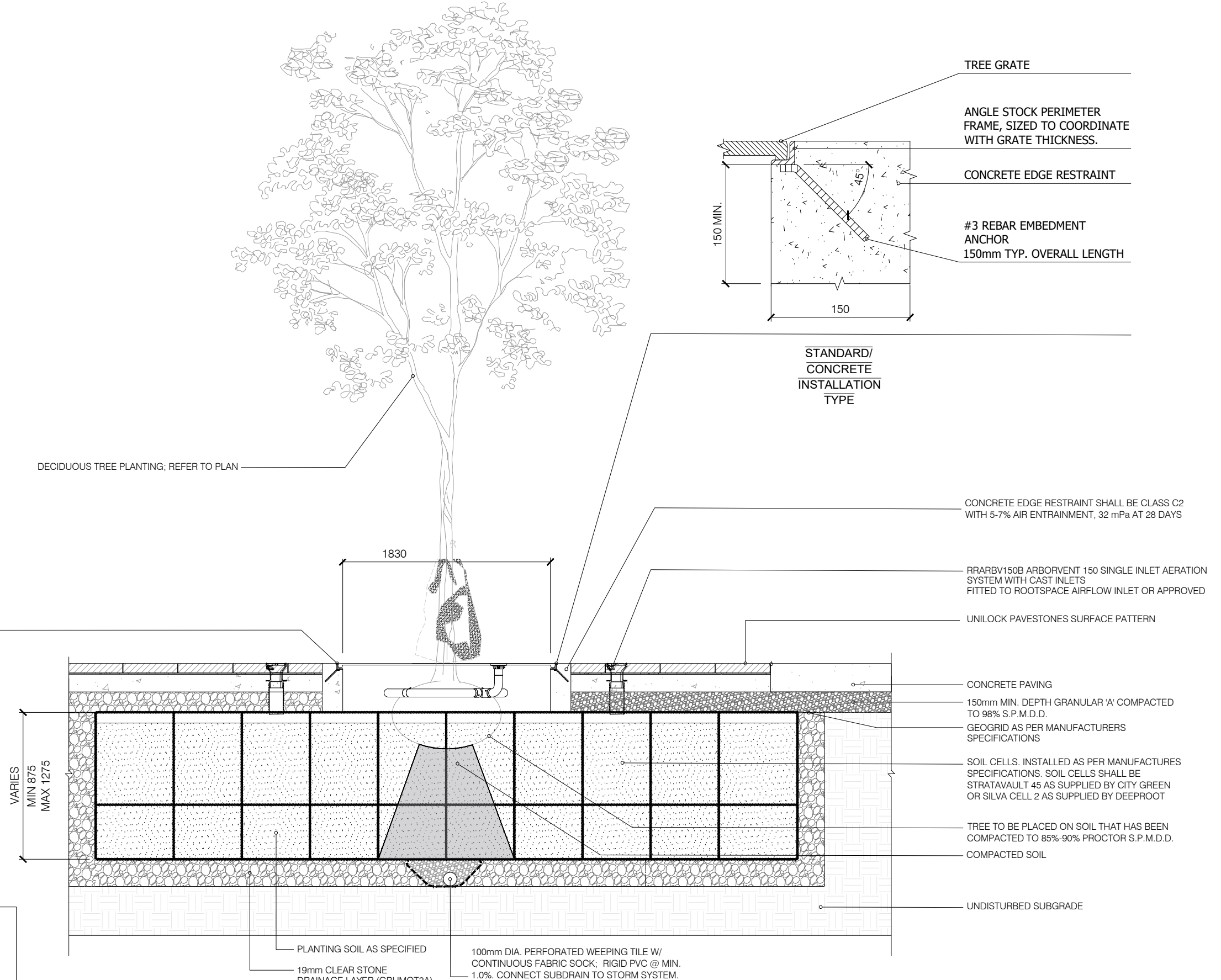


NOTE:
1. CONTRACTOR TO PROVIDE DETAILED SHOP DRAWINGS FOR ALL SOIL CELL PLANTING AREAS. THESE PLANS MUST INCLUDE DETAILS FOR PLACEMENT OF THE SOIL CELLS, INTEGRATION OF THE PAVING MATERIALS WITH THE SOIL CELLS, ALL VENTS, WATERING PORTS, SECURED STRUCTURAL SUPPORT AND PLANTING MEDIUM PLACEMENT.
2. INSTALLATION TO BE COMPLETED IN ACCORDANCE WITH MANUFACTURERS SPECIFICATIONS. GREENBUILT URBAN: <https://greenbuilt.com/gb/> OR DEEPROOF: <https://www.deeproof.com/> OR APPROVED EQUIVALENT.

3 DECIDUOUS STREET TREE PLANTING WITH SOIL CELLS
LD3 N.T.S.



4 FURNITURE SURFACE MOUNT (TYP.)
LD3 N.T.S.

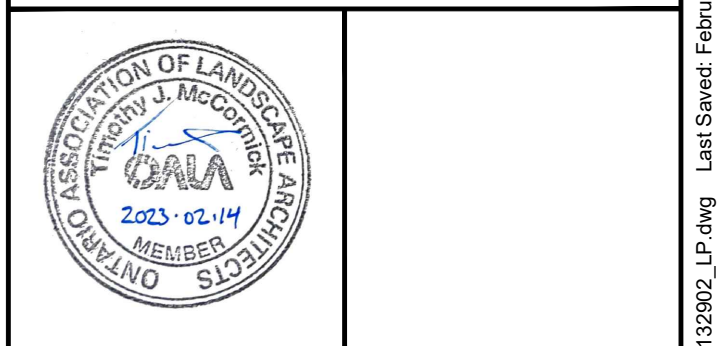
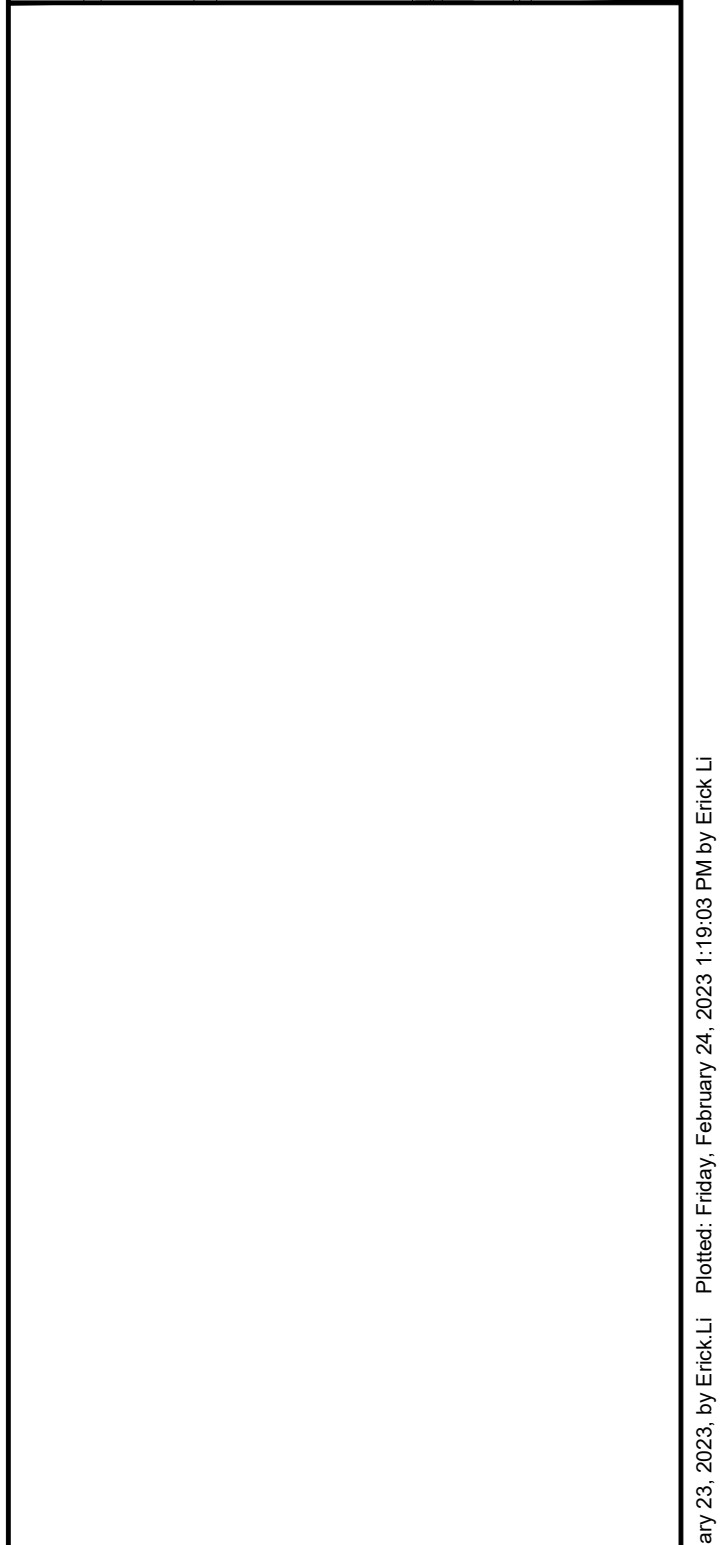
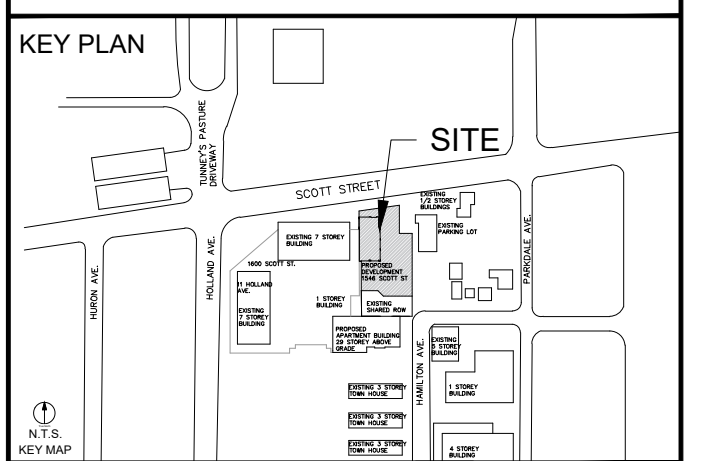


5 CONCRETE PEDESTRIAN PATHWAY
LD3 N.T.S.



COPYRIGHT
This drawing has been prepared solely for the intended use, thus any reproduction or distribution for any purpose other than authorized by IBI Group is forbidden. Written dimensions shall have precedence over scaled dimensions. Contractors shall verify and be responsible for all dimensions and conditions on the job, and IBI Group shall be informed of any variations from the dimensions and conditions shown on the drawing. Shop drawings shall be submitted to IBI Group for general concurrence before proceeding with fabrication.
IBI Group Professional Services (Canada) Inc.
is a member of the IBI Group of companies.

ISSUES		
No.	DESCRIPTION	DATE
1	ISSUED FOR DESIGN REVIEW	2022-08-10
2	ISSUED FOR SPA SUBMISSION	2023-02-14



IBI GROUP
Suite 101 - 410 Albert Street
Waterloo ON N2L 3V3 Canada
tel 519 585 2255
ibigroup.com

PROJECT
1546 SCOTT ST
CITY OF OTTAWA

PROJECT NO: 132902
DRAWN BY: E.L.
PROJECT MGR: T.M.

SCALE: NTS
CHECKED BY: M.P.
APPROVED BY: T.M.

SHEET TITLE
LANDSCAPE DETAILS

SHEET NUMBER LD3
ISSUE 2