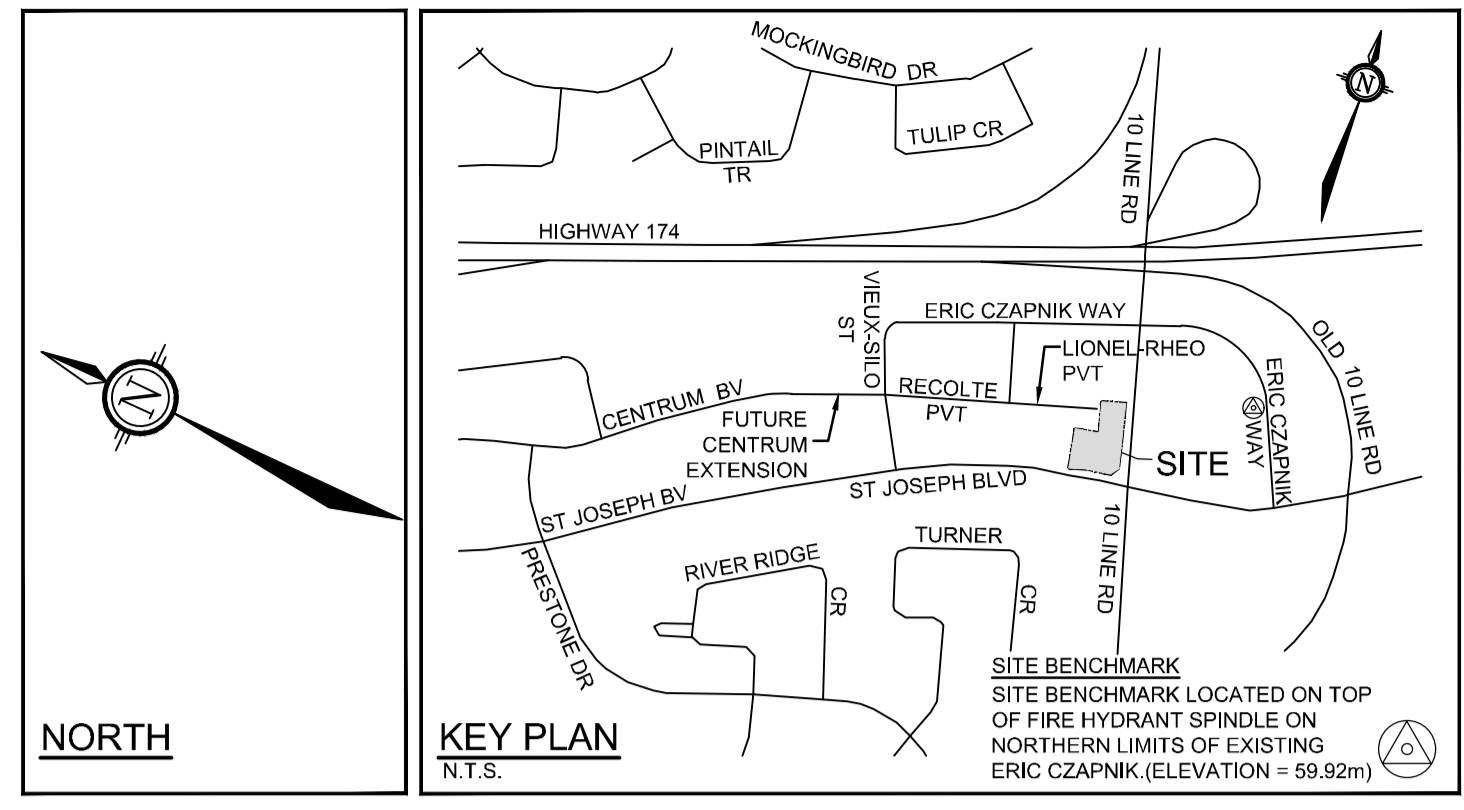
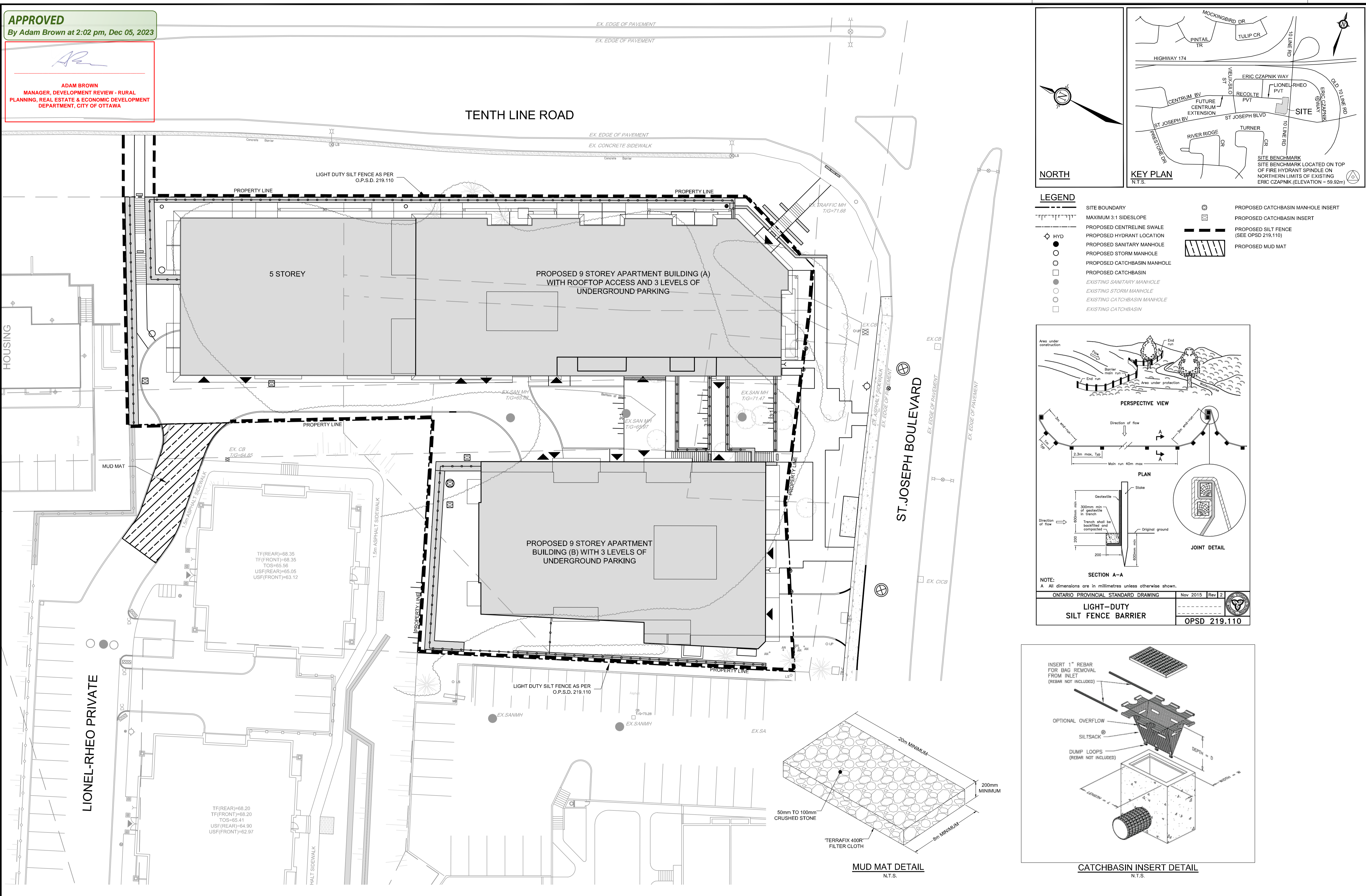


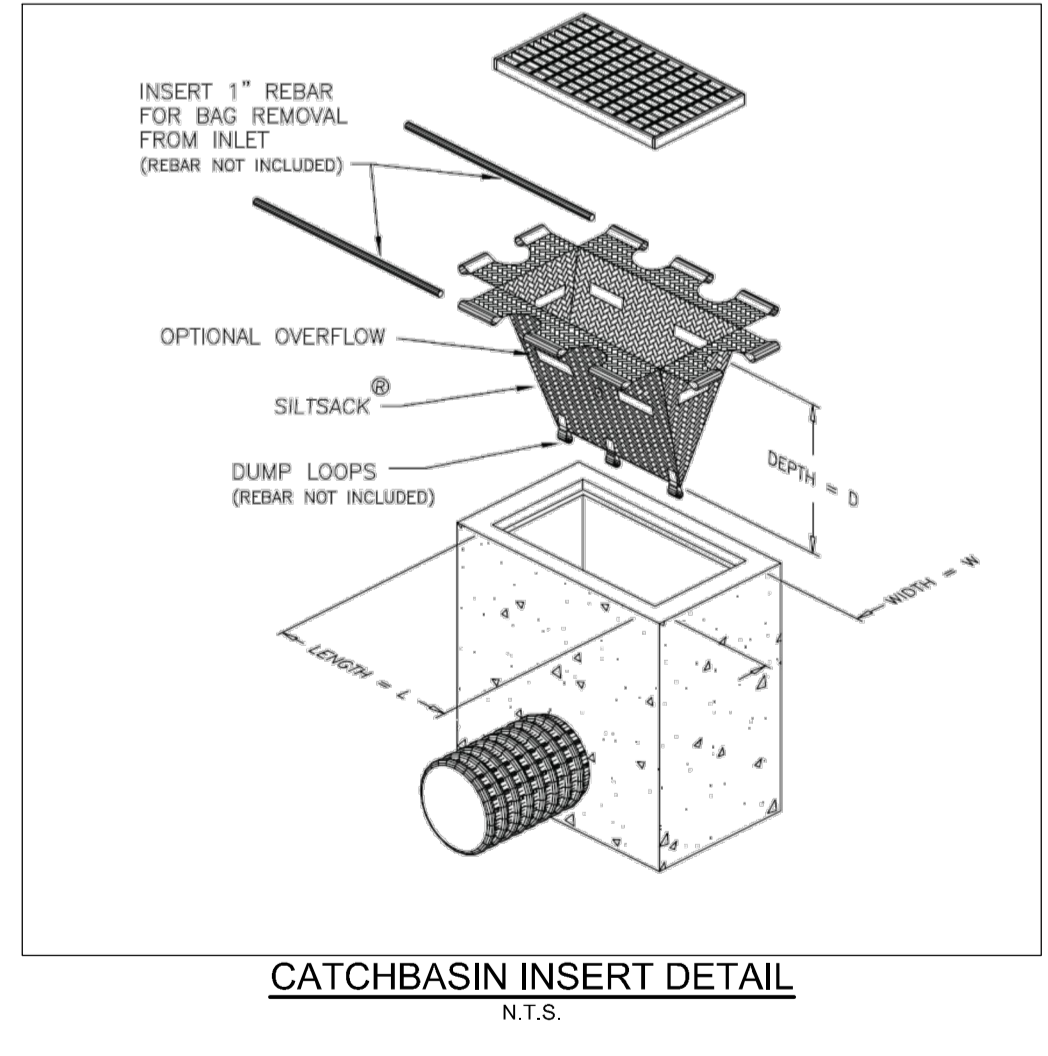
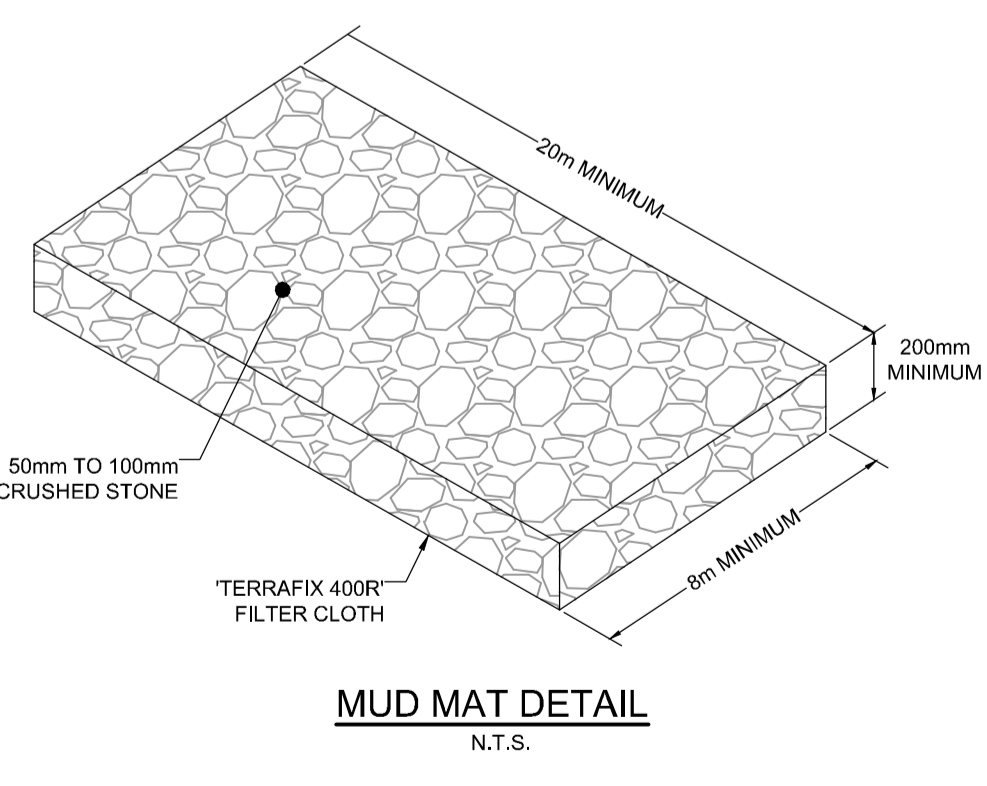
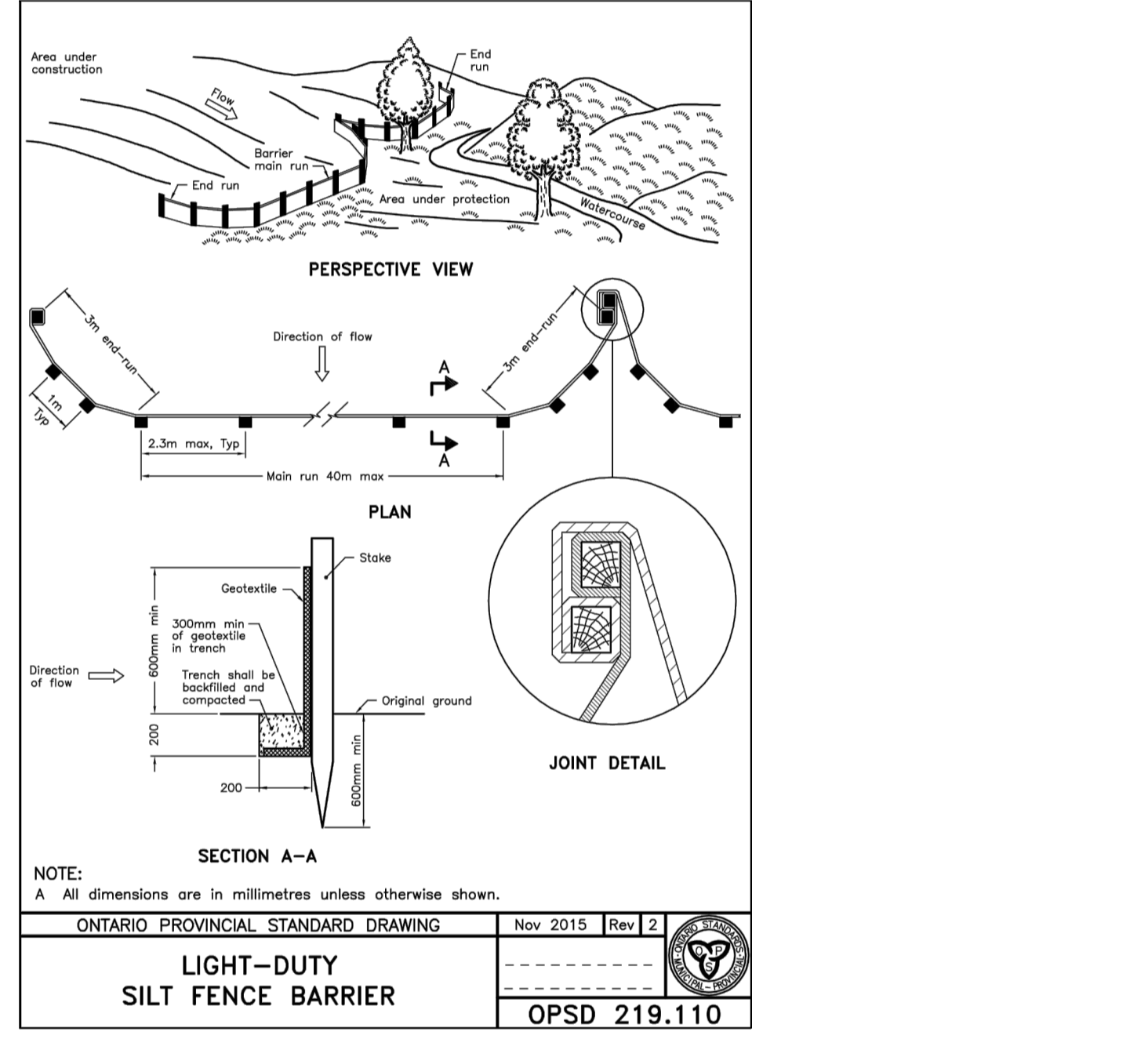
APPROVED
By Adam Brown at 2:02 pm, Dec 05, 2023

Adam Brown
ADAM BROWN
MANAGER, DEVELOPMENT REVIEW - RURAL
PLANNING, REAL ESTATE & ECONOMIC DEVELOPMENT
DEPARTMENT, CITY OF OTTAWA



LEGEND

---	SITE BOUNDARY	⊗	PROPOSED CATCHBASIN MANHOLE INSERT
---	MAXIMUM 3:1 SIDESLOPE	⊗	PROPOSED CATCHBASIN INSERT
---	PROPOSED CENTRELINE SWALE	⊗	PROPOSED SILT FENCE (SEE OPSD 219.110)
○	PROPOSED HYDRANT LOCATION	⊗	PROPOSED MUD MAT
○	PROPOSED SANITARY MANHOLE	○	
○	PROPOSED STORM MANHOLE	○	
○	PROPOSED CATCHBASIN MANHOLE	○	
○	PROPOSED CATCHBASIN	○	
○	EXISTING SANITARY MANHOLE	○	
○	EXISTING STORM MANHOLE	○	
○	EXISTING CATCHBASIN MANHOLE	○	
○	EXISTING CATCHBASIN	○	



NOTE:
THE POSITION OF ALL POLE LINES, CONDUITS, WATERMANS, SEWERS AND OTHER UNDERGROUND AND OVERGROUND UTILITIES AND STRUCTURES IS NOT NECESSARILY SHOWN ON THE CONTRACT DRAWINGS, AND WHERE SHOWN, THE ACCURACY OF THE POSITION OF SUCH UTILITIES AND STRUCTURES IS NOT GUARANTEED. BEFORE STARTING WORK, DETERMINE THE EXACT LOCATION OF ALL SUCH UTILITIES AND STRUCTURES AND ASSUME ALL LIABILITY FOR DAMAGE TO THEM.

No.	REVISION	DATE	BY
5.	ISSUED FOR SITE PLAN APPROVAL	AUG 11/23	DDB
4.	ISSUED FOR CITY OF OTTAWA REVIEW	JUN 22/23	DDB
3.	ISSUED FOR CITY OF OTTAWA REVIEW	JAN 27/23	DDB
2.	ISSUED FOR CITY OF OTTAWA REVIEW	MAY 8/22	DDB
1.	ISSUED FOR CITY OF OTTAWA REVIEW	DEC 23/21	DDB

SCALE	DESIGN
1:250	DDB
	CHECKED DDB
	DRAWN MTM
	CHECKED DDB
	APPROVED DDB



NOVATECH
Engineers, Planners & Landscape Architects
Suite 200, 240 Michael Cowpland Drive
Ottawa, Ontario, Canada K2M 1P6
Telephone: (613) 254-9643
Facsimile: (613) 254-5867
Website: www.novatech-eng.com

CITY OF OTTAWA
HILLSIDE COMMONS
ORLEANS TOWN CENTER

DRAWING NAME
EROSION & SEDIMENT CONTROL PLAN

PROJECT No. 120237-00
REV # 5
DRAWING No. 120237-ESC
#18628

M:\2020\120237\CADD\Design\120237-ESC.dwg, ESC, May 30, 2023, 11:44am, smathews

D07-12-21-0229