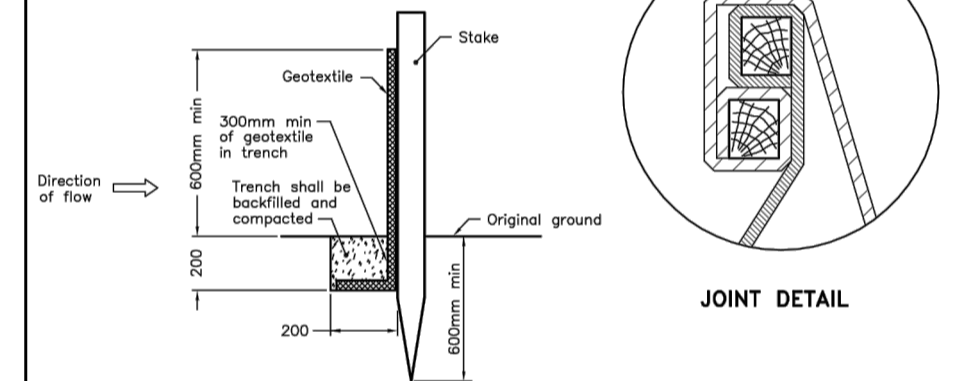
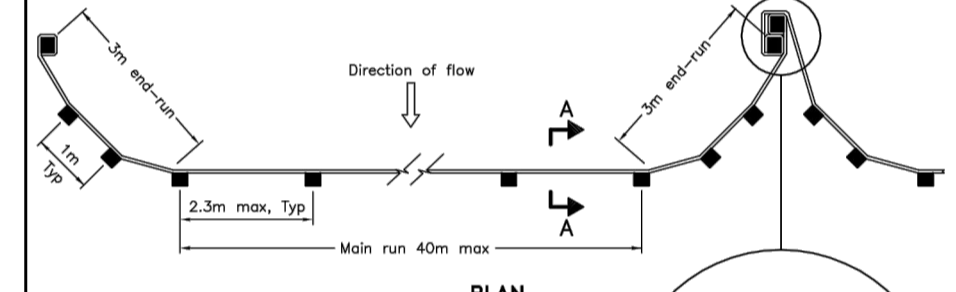
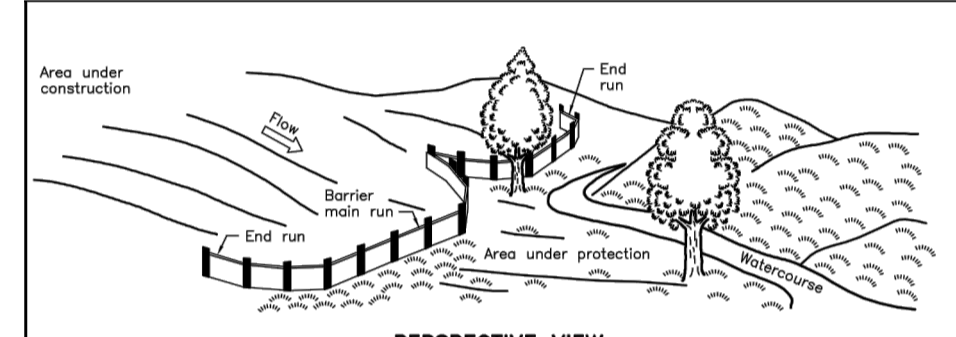


LEGEND

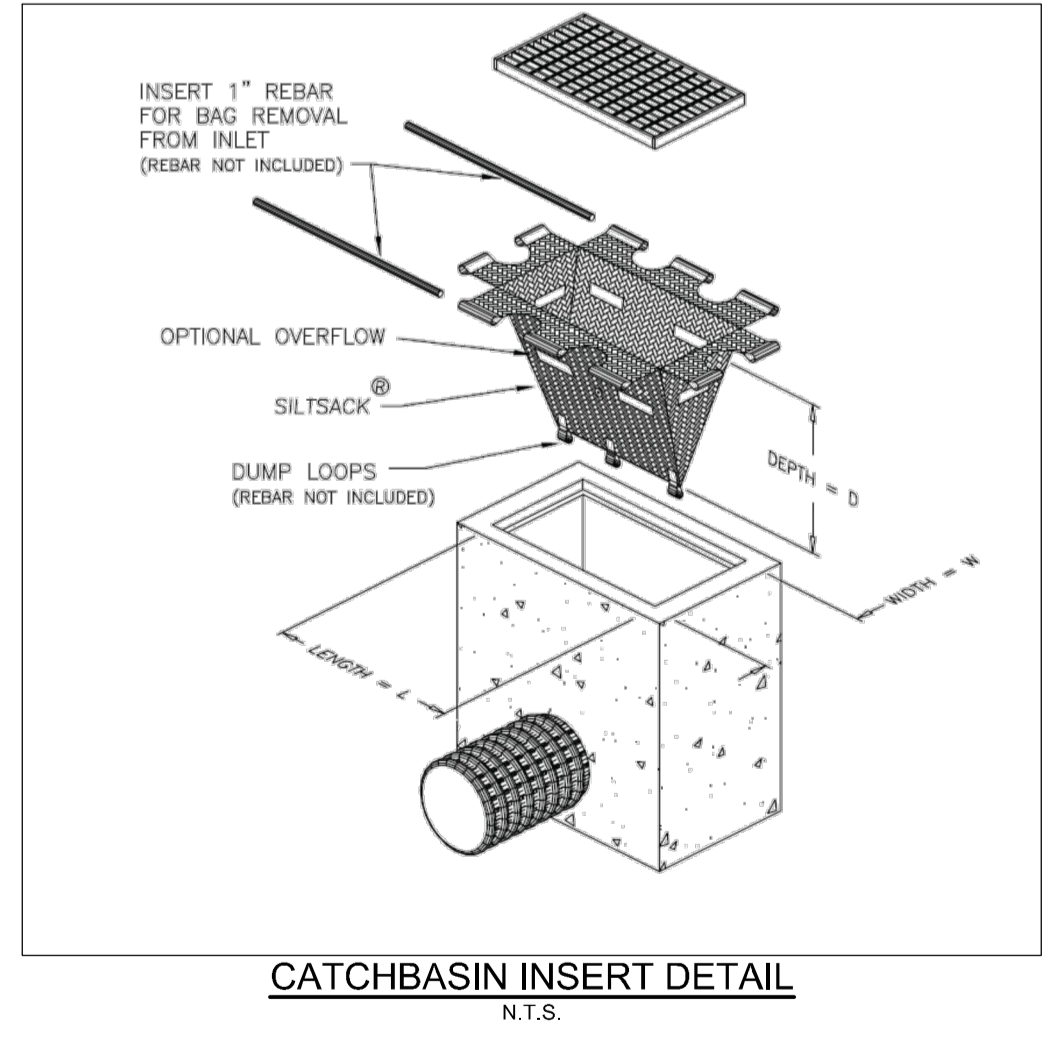
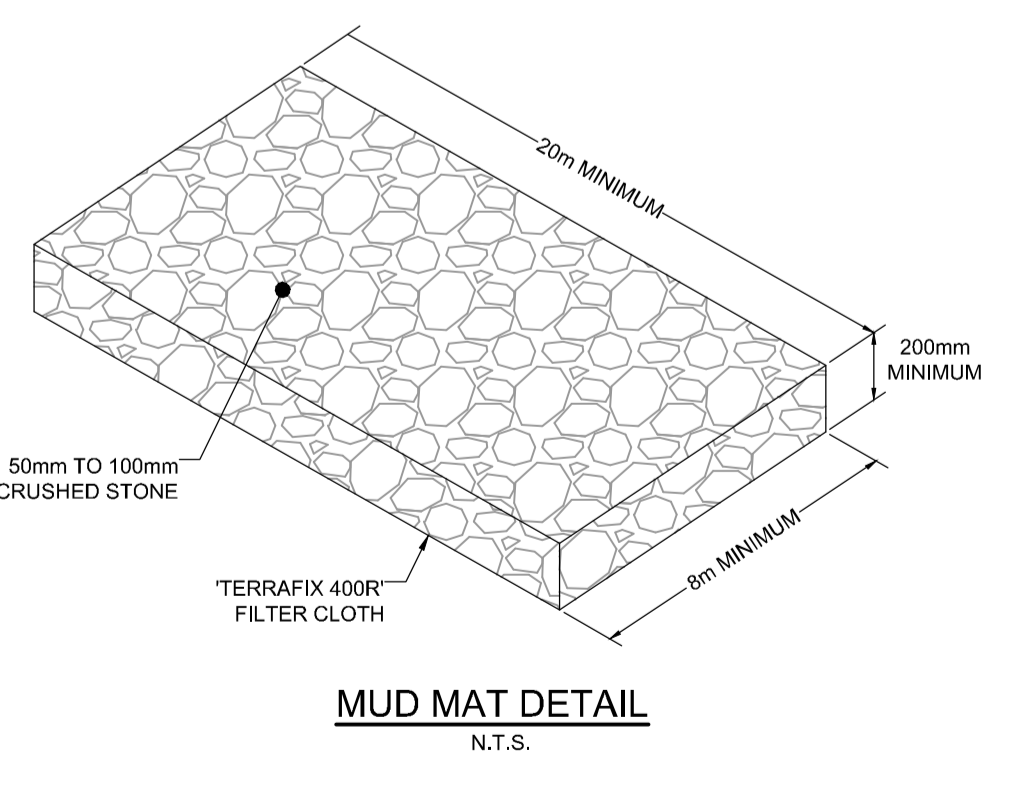
---	SITE BOUNDARY	⊗	PROPOSED CATCHBASIN MANHOLE INSERT
---	MAXIMUM 3:1 SIDESLOPE	⊗	PROPOSED CATCHBASIN INSERT
---	PROPOSED CENTRELINE SWALE	⊗	PROPOSED SILT FENCE (SEE OPSD 219.110)
○	PROPOSED HYDRANT LOCATION	⊗	PROPOSED MUD MAT
○	PROPOSED SANITARY MANHOLE	⊗	
○	PROPOSED STORM MANHOLE	⊗	
○	PROPOSED CATCHBASIN MANHOLE	⊗	
○	PROPOSED CATCHBASIN	⊗	
○	EXISTING SANITARY MANHOLE	⊗	
○	EXISTING STORM MANHOLE	⊗	
○	EXISTING CATCHBASIN MANHOLE	⊗	
○	EXISTING CATCHBASIN	⊗	



NOTE:
A All dimensions are in millimetres unless otherwise shown.

ONTARIO PROVINCIAL STANDARD DRAWING Nov 2015 | Rev 2

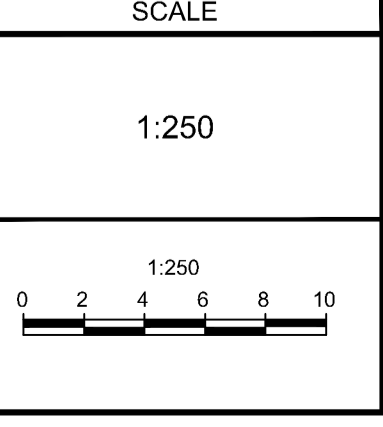
LIGHT-DUTY SILT FENCE BARRIER
OPSD 219.110



NOTE:
THE POSITION OF ALL POLE LINES, CONDUITS, WATERMANS, SEWERS AND OTHER UNDERGROUND AND OVERGROUND UTILITIES AND STRUCTURES IS NOT NECESSARILY SHOWN ON THE CONTRACT DRAWINGS, AND WHERE SHOWN, THE ACCURACY OF THE POSITION OF SUCH UTILITIES AND STRUCTURES IS NOT GUARANTEED. BEFORE STARTING WORK, DETERMINE THE EXACT LOCATION OF ALL SUCH UTILITIES AND STRUCTURES AND ASSUME ALL LIABILITY FOR DAMAGE TO THEM.

**PRELIMINARY
NOT FOR
CONSTRUCTION**

No.	REVISION	DATE	BY
5.	ISSUED FOR SITE PLAN APPROVAL	AUG 11/23	DDB
4.	ISSUED FOR CITY OF OTTAWA REVIEW	JUN 2/23	DDB
3.	ISSUED FOR CITY OF OTTAWA REVIEW	JAN 27/23	DDB
2.	ISSUED FOR CITY OF OTTAWA REVIEW	MAY 8/22	DDB
1.	ISSUED FOR CITY OF OTTAWA REVIEW	DEC 23/21	DDB



DESIGN	CHECKED	DRAWN	APPROVED
DDB	DDB	MTM	DDB
			DDB

FOR REVIEW ONLY

LICENSED PROFESSIONAL ENGINEER
D. D. BLAIR
100122737
Aug 11 2023
PROVINCE OF ONTARIO

NOVATECH
Engineers, Planners & Landscape Architects
Suite 200, 240 Michael Cowpland Drive
Ottawa, Ontario, Canada K2M 1P6
Telephone (613) 254-9643
Facsimile (613) 254-5867
Website www.novatech-eng.com

CITY OF OTTAWA
HILLSIDE COMMONS
ORLEANS TOWN CENTER

DRAWING NAME
EROSION & SEDIMENT CONTROL PLAN

PROJECT No. 120237-00
REV 120237-00
REV # 5
DRAWING No. 120237-ESC
#18628

M:\2020\120237\CADD\Design\120237-ESC.dwg, ESC, May 30, 2023, 11:44am, smallthews

D07-12-21-0229