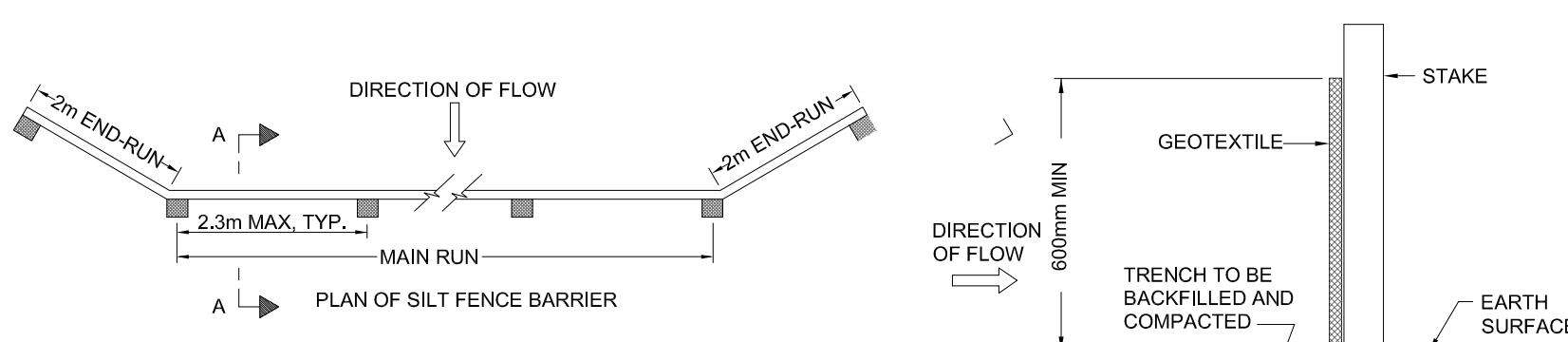




EROSION AND SEDIMENT CONTROL NOTES:

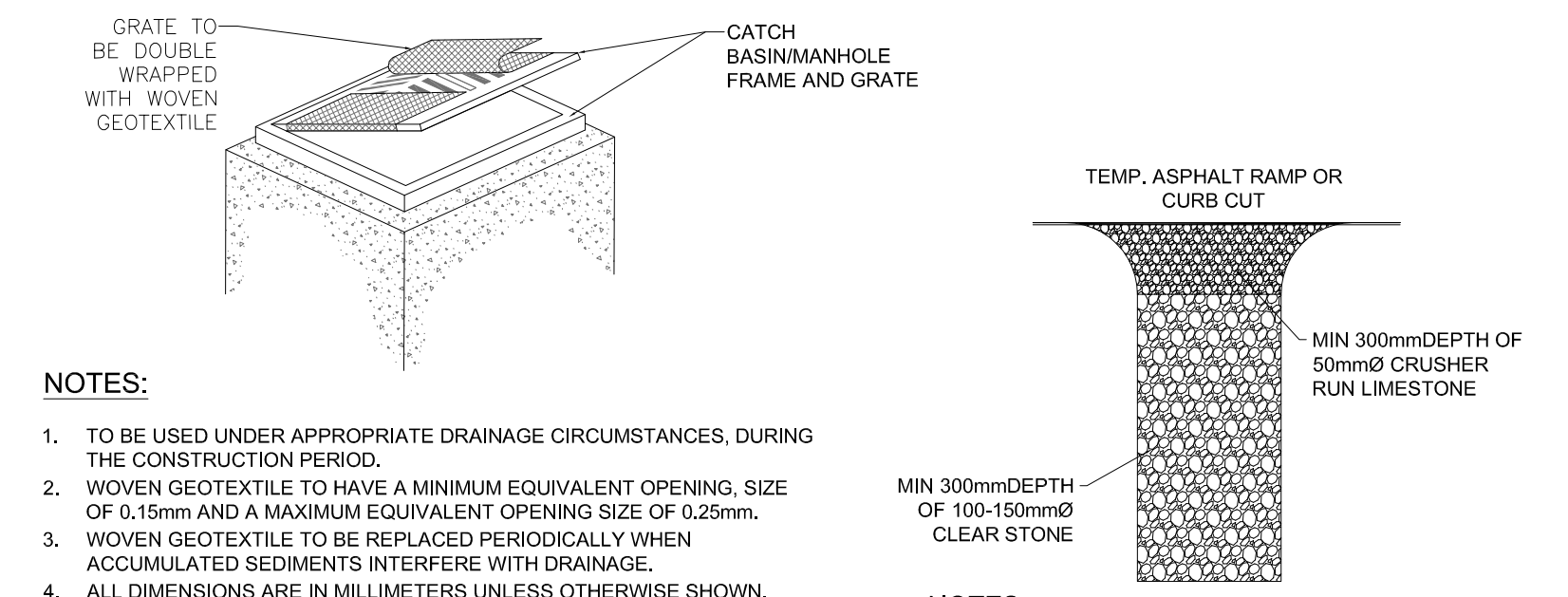
1. THE CONTRACTOR SHALL IMPLEMENT BEST MANAGEMENT PRACTICES, TO PROVIDE FOR PROTECTION OF THE AREA DRAINAGE SYSTEM AND THE RECEIVING WATERCOURSE, DURING CONSTRUCTION ACTIVITIES. THIS INCLUDES LIMITING THE AMOUNT OF EXPOSED SOIL, USING FILTER CLOTH UNDER THE GRATES OF CATCHBASINS AND MANHOLES, AND INSTALLING SILT FENCES AND OTHER EFFECTIVE SEDIMENT TRAPS. THE CONTRACTOR ACKNOWLEDGES THAT FAILURE TO IMPLEMENT APPROPRIATE EROSION AND SEDIMENT CONTROL MEASURES MAY BE SUBJECT TO PENALTIES IMPOSED BY ANY APPLICABLE REGULATORY AGENCY TO BE PAID FOR AT THE CONTRACTOR'S EXPENSE.
2. EROSION AND SEDIMENT CONTROL MEASURES ARE TO BE IMPLEMENTED PRIOR TO CONSTRUCTION AND REMAIN IN PLACE UNTIL VEGETATION IS ESTABLISHED AND APPROVAL IS GRANTED BY THE ENGINEER TO REMOVE MEASURES.
3. REGULAR INSPECTION AND MAINTENANCE OF THE EROSION AND SEDIMENT MEASURES SHALL BE UNDERTAKEN. THE IMPLEMENTATION AND ADJUSTMENT AND/OR CORRECTIVE MAINTENANCE OF THE EROSION AND SEDIMENT MEASURES IS AN INTEGRAL PART OF THE PLAN AND MUST BE PERFORMED.
4. CATCH BASIN AND MANHOLE SEDIMENT PROTECTION SHALL BE PROVIDED FOR ALL CATCH BASINS, CATCH BASIN MAINTENANCE HOLES, DITCH INLETS, AREA DRAINS, AND OPEN GRATE MAINTENANCE HOLES WITHIN THE WORK AREA, WITHIN 50m OF THE WORK AREA, OR WHICH RECEIVE RUN-OFF FROM THE WORK AREA. CATCH BASIN INLET PROTECTION IS REQUIRED BOTH FOR EXISTING STRUCTURES (INCLUDING STRUCTURES WHICH WILL BE REMOVED AS PART OF THE WORK) AND NEW STRUCTURES INSTALLED AS PART OF THE WORK. CATCH BASIN SEDIMENT PROTECTION SHALL INVOLVE BOTH (i) WRAPPING GRATE WITH FILTER CLOTH, AND (ii) SURROUNDING CATCH BASIN OR DRAIN WITH SEDIMENT CAPTURE FILTER SOCK. SEDIMENT CAPTURE FILTER SOCK SHALL BE STACKED (IN SOFT GROUND) OR HELD IN PLACE USING SANDBAGS (IN PAVED AREAS). CATCH BASIN SEDIMENT PROTECTION SHALL BE INSPECTED REGULARLY AND MAINTAINED AS NECESSARY. ANY VISIBLE ACCUMULATION OF SEDIMENT SHALL BE REMOVED AND DISPOSED OFF-SITE.
5. ALL SEDIMENT CONTROL MEASURES SHALL BE INSPECTED ON A REGULAR BASIS AND FOLLOWING STORM EVENTS FOR INTEGRITY AND FUNCTION BY THE CONTRACTOR. ANY REQUIRED REPAIRS TO EROSION AND SEDIMENT CONTROL MEASURES TO BE COMPLETED WITHIN 24 HOURS.
6. ALL SEDIMENT CONTROL MEASURES ARE TO BE MAINTAINED BY THE CONTRACTOR AS NECESSARY. SEDIMENTS REMOVED FROM THE CONTROL MEASURES (SILT FENCES, CATCHBASIN SEDIMENT CONTROLS, ETC.) SHALL BE DISPOSED OF IN ACCORDANCE WITH MOECCO GUIDELINES.
7. IF NECESSARY, ADDITIONAL SEDIMENT CONTROL MEASURES MAY BE INSTALLED AS DIRECTED BY THE ENGINEER OR THE RIDEAU VALLEY CONSERVATION AUTHORITY.
8. ONCE NEW CATCH BASINS AND MANHOLES ARE INSTALLED, GEOTEXTILE FILTER FABRIC SHALL BE PLACED AS PER NOTE 4, AND SHALL REMAIN IN PLACE UNTIL THE COMPLETION OF CONSTRUCTION ACTIVITIES.
9. GEOTEXTILE FILTER FABRIC SHALL BE PLACED AS PER NOTE 4, AND SHALL REMAIN IN PLACE UNTIL THE COMPLETION OF CONSTRUCTION ACTIVITIES FOR EXISTING CATCH BASINS AT THE ROW.
10. CONTRACTOR IS RESPONSIBLE TO KEEP THE ROADS FREE AND CLEAN FROM MUD OR DEBRIS.
11. THE CONTRACTOR MUST PROTECT THE STORMWATER TANK FROM EROSION AND SEDIMENT DURING CONSTRUCTION.



NOTES:

1. WOVEN GEOTEXTILE TO HAVE A MINIMUM EQUIVALENT OPENING, SIZE OF 0.15mm AND A MAXIMUM EQUIVALENT OPENING SIZE OF 0.25mm.
2. WOVEN GEOTEXTILE TO HAVE A HORIZONTAL OVERLAP OF 100mm AT JOINTS.
3. ALL DIMENSIONS ARE IN MILLIMETERS UNLESS OTHERWISE SHOWN.

LIGHT DUTY SILT FENCE BARRIER
AS PER OPSD 219.110
N.T.S.

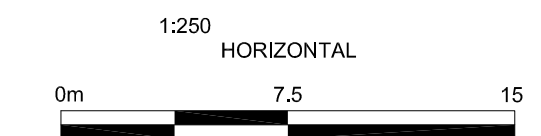


NOTES:

1. TO BE USED UNDER APPROPRIATE DRAINAGE CIRCUMSTANCES, DURING THE CONSTRUCTION PERIOD.
2. WOVEN GEOTEXTILE TO HAVE A MINIMUM EQUIVALENT OPENING, SIZE OF 0.15mm AND A MAXIMUM EQUIVALENT OPENING SIZE OF 0.25mm.
3. WOVEN GEOTEXTILE TO BE REPLACED PERIODICALLY WHEN ACCUMULATED SEDIMENT'S INTERFERE WITH DRAINAGE.
4. ALL DIMENSIONS ARE IN MILLIMETERS UNLESS OTHERWISE SHOWN.

CATCH BASIN /MANHOLE PROTECTION DETAIL
N.T.S.

CATCH BASIN /MANHOLE PROTECTION DETAIL
N.T.S.



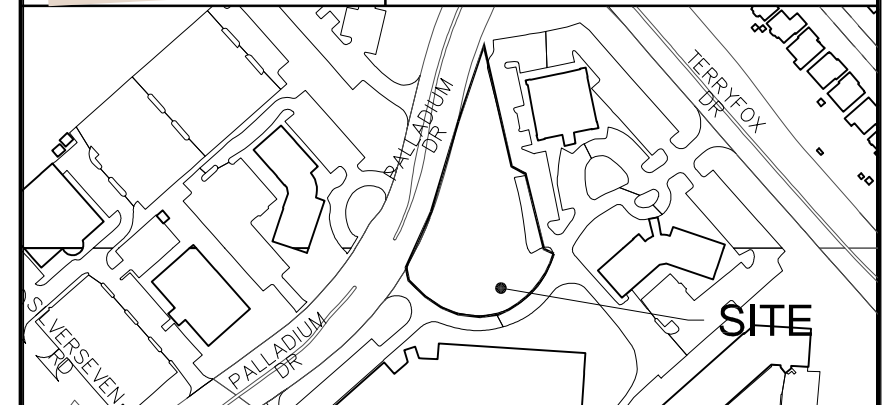
LEGEND

- PROPERTY LINE
- SILT FENCE
- MUD MAT ENTRANCE
- FILTER CLOTH AROUND STRUCTURES

01	2022-01-19	ISSUED FOR SITE PLAN APPROVAL
00	2021-12-21	ISSUED FOR CLIENT REVIEW
No.	YYYY-MM-DD	ISSUED

DISCLAIMER:
THIS DRAWING IS PROTECTED BY COPYRIGHT LAW, AND SHOULD NOT BE REPRODUCED IN ANY MANNER, OR FOR ANY PURPOSE, EXCEPT BY WRITTEN PERMISSION OF MORRISON HERSHFIELD LIMITED. CONTRACTOR SHALL VERIFY AND BE RESPONSIBLE FOR ALL DIMENSIONS AND REPORT ANY ERRORS AND/OR OMISSIONS TO MORRISON HERSHFIELD LIMITED.

STAMP PERMIT TO PRACTICE



MORRISON HERSHFIELD
200 - 2952 Baseline Road
Ottawa, Ontario, K2H 1K1
Tel: (613) 738-2910

KWC ARCHITECTS INC.
201-383 Parkdale Avenue,
Ottawa, Ontario K1Y 4R4

PROJECT			301 PALLADIUM DRIVE		
DRAWING			EROSION AND SEDIMENT CONTROL PLAN		
DESIGN	DO	DATE	2021-12-21	SCALE	1:250
DRAWN	DO	PROJECT NO.	210390900		
CHECKED	AA	DRAWING NO.		VERSION	
APPROVED	AA		C003		