

GENERAL NOTES

- 1. ALL WORK, MATERIAL AND CONSTRUCTION METHODS TO CONFORM WITH THE LATEST SPECIFICATIONS, POLICIES, REGULATIONS, GUIDELINES AND LAWS FOR THE CITY OF OTTAWA, ONTARIO BUILDING CODE (OBC), MINISTRY OF THE ENVIRONMENT (MOE), ONTARIO PROVINCIAL STANDARD DRAWINGS AND SPECIFICATIONS (OPS) AND (O)SSS, THE ENVIRONMENTAL PROTECTION ACT AND THE WATER RESOURCES ACT...
2. THIS PLAN SHOULD BE READ IN CONJUNCTION WITH ALL OTHER CONSULTANT'S PLANS...
3. THE CONTRACTOR IS RESPONSIBLE FOR OBTAINING AND PAYING FOR ALL PERMITS RELATED TO SERVICE CONNECTIONS INCLUDING ROAD CUT PERMITS AND THIRD PARTY UTILITY COSTS...
4. THE CONTRACTOR IS ADVISED THAT WORKS BY OTHERS MAY BE ONGOING DURING THE PERIOD OF THIS CONTRACT...
5. THE INFORMATION SHOWN FOR EXISTING UTILITIES WAS PROVIDED BY OTHERS...
6. EXCEPT WHERE INDICATED, ALL DIFFERENCES IN GRADE BETWEEN THIS SITE AND ADJOINING LANDS ARE TO BE TAKEN UP ON OWNER'S LAND WITH A MAXIMUM SLOPE OF ONE(1) VERTICAL AND THREE (3) HORIZONTAL...
7. ALL DIMENSIONS AND ELEVATIONS TO BE VERIFIED PRIOR TO CONSTRUCTION AND ANY DISCREPANCIES FOUND PRIOR TO OR DURING CONSTRUCTION SHALL BE CLARIFIED WITH THE ENGINEER...
8. INSPECTIONS...
9. ALL WORK ON THE MUNICIPAL RIGHT OF WAY AND EASEMENTS AND ANY WORK RELATING TO WATERMANS AND SEWERS TO BE INSPECTED BY THE MUNICIPALITY PRIOR TO BACKFILLING...
10. THE OWNER CONSENTS AND AGREES NOT TO MAKE A MATERIAL CHANGE OR CAUSE A MATERIAL CHANGE TO BE MADE TO A PLAN, SPECIFICATION, DOCUMENT OR OTHER INFORMATION...
11. FOR DETAILED SPECIFICATIONS REGARDING:
- STURDING
- GRANULAR BASE MATERIALS, BASE COURSE AND SURFACE COURSE ASPHALT MATERIALS
- CONSTRUCTION REQUIREMENTS
- INPORT / UNSUITABLE / SURPLUS MATERIALS
- PAVEMENT DESIGN
- MANHOLE, CATCHBASIN, AND SERVICE TRENCH BACKFILLING
- MANHOLE, CATCHBASIN, AND SERVICE TRENCH EXCAVATION
- BEDDING
REFER TO GEOTECHNICAL REPORT NO. 4342-16-G-09-A BY TORONTO INSPECTION LTD., DATED APRIL 26, 2016.
12. ALL WORKS WITHIN THE CITY R.O.W. SHALL COMPLY WITH THE CITY OF OTTAWA STANDARDS AND SPECIFICATIONS.
13. CONTRACTOR TO COMPLETE TOPOGRAPHIC AS-BUILT SURVEY SEALED BY AN OLS (ON OWNERS PROPERTY) COMPLETE ALL STRUCTURES, SITE SIGNAGE, LINE PAINTING, SURFACE FEATURES, AND DRAINAGE POINTS AS IDENTIFIED ON THE SITE PLAN, GRADING PLAN, SITE SERVING PLAN AND ELECTRICAL PLANS TO BE PROVIDED.
14. CONTRACTOR TO COMPLETE UNDERGROUND AS-BUILT SURVEY SEALED BY AN OLS (ON OWNERS PROPERTY) COMPLETE ALL UNDERGROUND SERVICES TO BE SHOWN IN AS-BUILT LOCATIONS COMPLETE WITH INVERTS AT ALL STRUCTURES FOR STORM AND SANITARY SERVICES, WATERMAIN INVERTS AT ALL APPURTENANCES AND CROSSINGS. ALL SERVICES TO BE IDENTIFIED WITH MATERIAL, TYPE AND SIZE. ALL UTILITIES INCLUDING BUT NOT LIMITED TO: GAS, HYDRO, CABLE, TELEPHONE TO BE INCLUDED AND NECESSARY DEPTHS PROVIDED AT ALL CROSSINGS. ALL STUBS AS REQUIRED FOR PHASING TO BE INCLUDED AND SHALL CONFORM INVERTS DEPTH, PIPE SIZE AND MATERIALS.

GRADING NOTES

- 1. ALL DISTURBED AREAS OUTSIDE OF PROPERTY LIMITS SHALL BE RESTORED TO ORIGINAL CONDITION OR BETTER. ALL TREE AND SHRUB RELOCATION SUBJECT TO APPROVAL BY THE LANDSCAPE ARCHITECT.
2. ALL BARRIER CURBS WITHIN THE SITE TO BE CONSTRUCTED AS PER CITY OF OTTAWA DETAIL SCL1. HEIGHT OF EXPOSED FACE OF BARRIER CURB TO BE 0.15m UNLESS OTHERWISE SHOWN.
3. ALL CURB CUTS TO BE AS PER OPSD 604.010.
4. REFER TO ARCHITECTURAL SITE PLAN FOR ALL DIMENSIONS AND LOCATIONS OF RAMPS, PAINTED LINES, WALKWAYS, SIDEWALKS, CURBS, CONCRETE PADS AND ISLANDS.
5. EMBANKMENTS TO BE SLOPED AT MAX. 3:1, UNLESS OTHERWISE SPECIFIED.
6. METHOD OF TERMINATION FOR CONCRETE CURBS AS PER OPSD 608.010.
7. REPAVED SUBDRAINS ARE TO BE CONNECTED TO INTERNAL CATCH BASINS AND CATCH BASIN MANHOLES AS PER DETAIL PROVIDED AT THE SUBGRADE INTERFACE EXCEPT IN THE BOULEVARD AREAS. CONTRACTOR IS TO INCLUDE A MINIMUM 2% SLOPE OF THE SUBDRAIN TOWARDS THE CATCH BASIN. SUBDRAIN PIPE TO BE 100mm PERFORATED, CORRUGATED, POLYETHYLENE ENCASED IN FILTER FABRIC. SOOK AS PER OPSD 405 AND 180A. BACKFILL WITH 20mm#6 WELL GRADED FREE DRAINING GRANULAR MATERIAL APPROVED BY THE ENGINEER. SUBDRAINS SHALL BE CAPPED AT UPSTREAM ENDS.
8. REFER TO LANDSCAPING PLANS FOR LANDSCAPE DETAILS AND THE LIMITS OF LANDSCAPED AREAS.
9. ALL RECYCLED, PROCESSED OR OTHERWISE ALTERED MATERIALS ARE CONSIDERED ALTERNATIVES AND MUST BE APPROVED BY THE OWNER AND ENGINEER PRIOR TO USE ON SITE.
10. ALL UNSUITABLE SOIL OR SURPLUS MATERIAL OBTAINED FROM EXCAVATIONS TO BE DISPOSED OF OFF-SITE, AT A SUITABLE WASTE DISPOSAL FACILITY IN ACCORDANCE WITH ALL APPLICABLE STANDARDS, AND REGULATIONS.
11. THE PROPERTY SHALL BE GRADED SUCH THAT SURFACE DRAINAGE IS DIRECTED AWAY FROM THE BUILDINGS.
12. ALL EXISTING STRUCTURES, FENCING, TREES, & ETC., WITHIN CONSTRUCTION AREA UNLESS OTHERWISE NOTED TO REMAIN, SHALL BE REMOVED & DISPOSED OF OFF SITE.
13. ALL DRAINAGE STRUCTURES SHALL BE PRE-CAST FROM AN APPROVED SOURCE, MEETING ALL APPLICABLE REQUIREMENTS.
14. GENERAL CONTRACTOR SHALL NOTIFY ALL UTILITY COMPANIES HAVING UNDERGROUND UTILITIES ON SITE (OR IN RIGHT-OF-WAY) PRIOR TO EXCAVATION. CONTRACTOR SHALL CONTACT UTILITY LOCATING COMPANY AND LOCATE ALL UTILITIES PRIOR TO GRADING START.
15. SITE GRADING SHALL NOT PROCEED UNTIL APPROPRIATE EROSION AND SEDIMENT CONTROL MEASURES HAVE BEEN INSTALLED.
16. THE OWNER SHALL ENSURE THAT NO PERSONNEL, OR EQUIPMENT INCLUDING EXCAVATORS WITH THREE METERS (10M) OF THE HYDRO OTTAWA OVERHEAD MEDIUM VOLTAGE DISTRIBUTION LINES, UNLESS APPROVED BY HYDRO OTTAWA, THE OWNER SHALL CONTACT HYDRO OTTAWA PRIOR TO COMMENCING WORK. WHEN PREPARING TO WORK WITHIN 3.0M OF HYDRO OTTAWA DISTRIBUTION LINES, NO SUCH WORK SHALL COMMENCE WITHOUT APPROVAL OF HYDRO OTTAWA.

PAVING NOTES

- 1. INSPECTION OF SUB-GRADE REQUIRED BY ENGINEER/GEOTECHNICAL CONSULTANT PRIOR TO PLACEMENT OF PAVEMENT STRUCTURE. THE CONTRACTOR IS RESPONSIBLE FOR COORDINATION OF INSPECTIONS WITH ENGINEER/GEOTECHNICAL CONSULTANT.
2. LIGHT DUTY ASPHALT PAVEMENT TO BE CONSTRUCTED AS FOLLOWS:
40mm H3 OR SP 12.5 SURFACE COURSE
40mm H3 OR SP 14 BASE COURSE
150mm OPS GRANULAR 'A' BASE
250mm OPS GRANULAR 'B' SUB-BASE
3. HEAVY DUTY ASPHALT PAVEMENT TO BE CONSTRUCTED AS FOLLOWS:
40mm H3 OR SP 12.5 SURFACE COURSE
80mm H3 OR SP 14 BASE COURSE
150mm OPS GRANULAR 'A' BASE
350mm OPS GRANULAR 'B' SUB-BASE
4. ALL PAVEMENT PAINTING, LINE PAINTING, DIRECTIONAL LINES/ARROWS ETC. SHALL BE PLACED IN ACCORDANCE WITH THE SITE PLAN. LINE PAINTING AND DIRECTIONAL SYMBOLS SHALL BE APPLIED WITH A MINIMUM OF TWO COATS OF ORGANIC SOLVENT BASED PAINT OR PER ARCHITECTS REQUIREMENTS.
5. WHERE PROPOSED ASPHALT MEETS EXISTING ASPHALT SURFACE, CONSTRUCT STEP JOINT AS PER DETAIL PROVIDED, WHERE THE THICKNESS OF THE ADJACENT ASPHALTIC CONCRETE SURFACE IS LESS THAN 90mm A BUTT JOINT, AS PER DETAIL PROVIDED, WILL BE SUFFICIENT. PROVIDE TACK COAT ALL VERTICAL AND HORIZONTAL SUBGRADES.

STORM SEWERS

- 1. FOR CONSTRUCTION DETAILS NOT SHOWN ON PLANS, REFERENCE SHALL BE MADE TO THE ONTARIO PROVINCIAL STANDARD DRAWINGS AND CITY OF OTTAWA STANDARDS.
2. ALL STORM SEWER WORKS SHALL BE CONSTRUCTED IN ACCORDANCE WITH CURRENT CITY OF OTTAWA STANDARDS, ONTARIO PROVINCIAL STANDARD DRAWINGS (OPS) AND SPECIFICATIONS (O)SSS.
3. ALL STORM MANHOLES TO BE AS PER OPSD 701.010-701.015 (SIZE AS SHOWN) WITH FRAME AND COVER AS PER OPSD 401.010 TYPE 'A'. SAFETY PLATFORMS TO BE INSTALLED ON ALL MANHOLES WHERE DEPTHS EXCEED 5.0m AS PER OPSD 401.020.
4. ALL MAIN STORM SEWERS UP TO 450mm DIA. SHALL BE PVC 50R-35 OR EQUIVALENT APPROVED BY THE ENGINEER. PVC SEWER SHALL MEET THE CSA AND ASTM REQUIREMENTS AS NOTED WITHIN OPSD 184H (PREMIUM 200mm). ALL STORM SEWERS 500mm OR LARGER SHALL BE REINFORCED CONCRETE (CLASS 804) UNLESS OTHERWISE NOTED IN ACCORDANCE WITH CSA SPECIFICATION A232.1-99C. CONTRACTOR IS RESPONSIBLE FOR SUPPLYING ADDITIONAL BEDDING AND/OR STRONGER PIPE AT ACTUAL TRENCH WIDTH EXCEED DESIGN WIDTHS. RIGID PIPE REQUIRES CONCRETE ENCASEMENT FOR THE FIRST PIPE LENGTH CONNECTING TO ANY APPURTENANCES.
5. STORM SEWER BEDDING SHALL BE IN ACCORDANCE WITH OPSD 802.020.
6. ALL SINGLE CATCH BASINS TO BE PRECAST AS PER OPSD 705.010 WITH FRAME AND GRATE AS PER OPSD 400.020. ALL DOUBLE CATCH BASINS TO BE PRECAST AS PER OPSD 735.020.
7. ALL SINGLE CATCH BASIN LEADS TO BE MINIMUM 200mm#6 (UNLESS OTHERWISE SPECIFIED) WITH A MAXIMUM LENGTH OF 30m. ALL DOUBLE CATCH BASIN LEADS TO BE MINIMUM 175mm#6 (UNLESS OTHERWISE SPECIFIED). ALL CATCH BASIN LEADS TO BE PVC 50R-35 OR APPROVED EQUIVALENT UNLESS OTHERWISE SPECIFIED, SLOPED AT A MINIMUM 1.00%.
8. ALL CATCH BASIN LEADS TO BE CONNECTED TO THE STORM SEWER AS PER OPSD 708.010 AND 708.020.
9. CATCH BASIN LEAD INVERTS TO BE 1.50m BELOW FINISHED GRADE UNLESS OTHERWISE SPECIFIED.
10. ALL SEWERS TO BE TESTED IN ACCORDANCE WITH CITY OF OTTAWA OPSD.
11. ALL MYS TO BE BENCH AS PER OPSD 701.021. ALL PROPOSED STORM CHIMNYS TO BE EQUIPPED WITH 300mm SLUPS AS PER SUPP DETAIL IN OPSD 701.010.
12. 'MODULOC' OR APPROVED PRE-CAST MANHOLE AND CATCH BASIN ADJUSTERS TO BE USED IN LIEU OF BROODING. PARGE ADJUSTING UNITS ON THE OUTSIDE ONLY.
13. SERVICES TO BUILDINGS SHALL BE TERMINATED 1.5m FROM THE BUILDING ENVELOPE UNLESS OTHERWISE NOTED.
14. ALL BUILDING SERVICES SHALL BE COVERED AND MARKED WITH A 2M PAINTED GREEN (SANITARY), WHITE (STORM) AND BLUE (WATER). THE 2M SHALL EXTEND 0.6m ABOVE GRADE.
15. MANHOLE STEPS TO BE CONSTRUCTED AS PER OPSD 405.010.
16. WHERE COVER OF 1.5m IS NOT ACHIEVED PROVIDE INSULATION AS PER CITY OF OTTAWA DETAIL W02.
17. THE CONTRACTOR SHALL FLUSH AND PROVIDE CCTV CAMERA INSPECTIONS OF ALL STORM SEWERS, INCLUDING PICTORIAL REPORT, AND TWO (2) CD'S IN A FORMAT ACCEPTABLE TO THE ENGINEER, PRIOR TO ASPHALT. CCTV REPORT AND CD'S SHALL CONFORM TO THE REQUIREMENTS OF SPECIAL PROVISION NO. F-409B FROM THE CITY OF OTTAWA 'STANDARD TENDER DOCUMENTS FOR UNIT PRICE CONTRACTS - VOLUME NO.1: CONSTRUCTION SPECIFICATIONS'.

SANITARY SEWERS

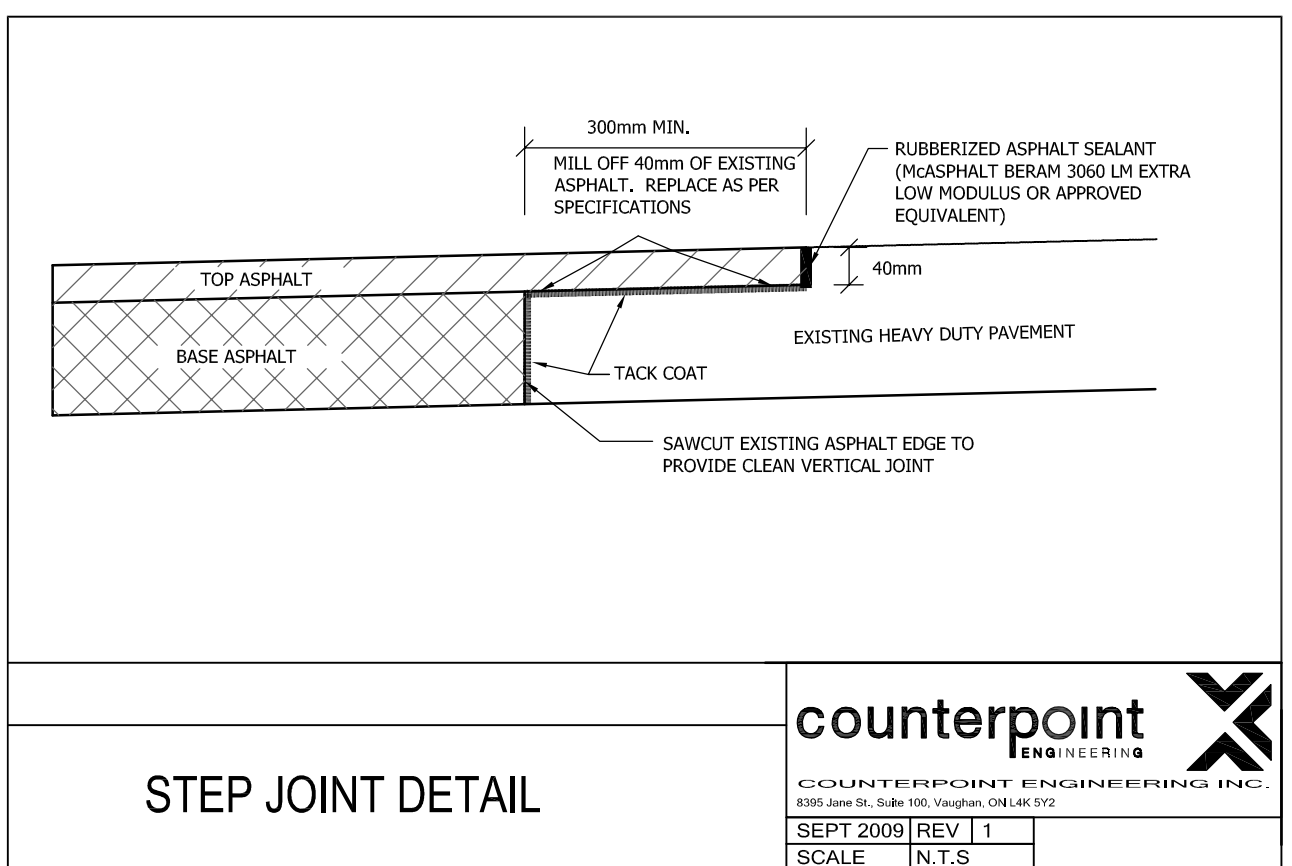
- 1. ALL SANITARY SEWERS SHALL BE PVC (50R 35) MEETING CSA 182.6. FITTINGS FOR PVC SANITARY SEWER PIPE SHALL BE MANUFACTURED IN ACCORDANCE WITH A.S.T.M. SPECIFICATION D 3018 AND JOINTS SHALL BE BELL AND SPOUT WITH RUBBER GASKETS.
2. SANITARY BEDDING SHALL BE IN ACCORDANCE WITH OPSD 802.030 AND THE APPROVED GEOTECHNICAL REPORT.
3. MANHOLES SHALL BE AS PER OPSD 701.010 TO 701.015 FRAME COVER SHALL BE CITY OF OTTAWA 401.010 TYPE 'A'. SAFETY PLATFORMS TO BE INSTALLED ON ALL MANHOLES WHERE DEPTHS EXCEED 5.0m AS PER OPSD 401.020.
4. ALL SANITARY SEWERS SHALL BE LEAKAGE TESTED IN ACCORDANCE WITH CITY OF OTTAWA STANDARDS, ONTARIO PLUMBING CODE, AND OPSD STANDARDS 410.07.16 AND 407.07.24.
5. 'MODULOC' OR APPROVED PRE-CAST MANHOLE ADJUSTERS TO BE USED IN LIEU OF BROODING. PARGE ADJUSTING UNITS ON THE OUTSIDE ONLY.
6. ALL BUILDING SERVICES SHALL BE COVERED AND MARKED WITH A 2M PAINTED GREEN (SANITARY) AND WHITE (STORM). THE 2M SHALL EXTEND 0.6m ABOVE GRADE.
7. SERVICES TO BUILDINGS TO BE TERMINATED 1.5m FROM THE EDGE OF BUILDING SIDEWALK UNLESS OTHERWISE NOTED AND PROVIDED WITH A TEMPORARY PLUG AND END. REFERENCE SHALL BE MADE TO THE BUILDING PLUMBING SHEETS FOR LOCATION OF SEWER, DOMESTIC, REFRIGERATION CONDENSERS AND FIRE LINE LEADS.
8. MANHOLE STEPS TO BE CONSTRUCTED AS PER OPSD 405.010.
9. ALL MYS TO BE BENCH AS PER OPSD 701.021.
10. THE CONTRACTOR SHALL FLUSH AND PROVIDE CCTV CAMERA INSPECTIONS OF ALL SANITARY SEWERS, INCLUDING PICTORIAL REPORT, AND TWO (2) CD'S IN A FORMAT ACCEPTABLE TO THE ENGINEER, PRIOR TO ASPHALT. CCTV REPORT AND CD'S SHALL CONFORM TO THE REQUIREMENTS OF SPECIAL PROVISION NO. F-409B FROM THE CITY OF OTTAWA 'STANDARD TENDER DOCUMENTS FOR UNIT PRICE CONTRACTS - VOLUME NO.1: CONSTRUCTION SPECIFICATIONS'.

WATERMAIN

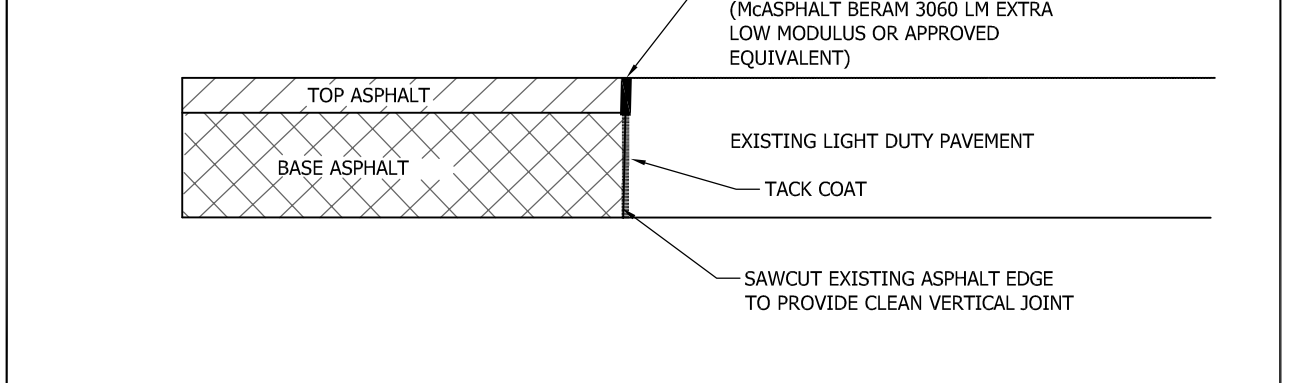
- 1. ALL MATERIALS AND CONSTRUCTION METHODS MUST CORRESPOND TO THE CURRENT OPS, OPSD AND CITY OF OTTAWA STANDARDS AND SPECIFICATIONS.
2. WATERMAIN 100 TO 300mm SHALL BE ANNEAL C 9000-67 POLYETHYLENE CHLORIDE (PVC CLASS 150 DR 18) AND CSA C803 3.60 WITH GASKETED BELL ENDS. A 14 GAUGE T1M SOLID COPPER PLASTIC COATED TRENCH WIRE MUST BE INSTALLED WITH THE PIPE AND BROUGHT TO THE SURFACE AT EACH VALVE BOX. TRACER WIRE IS TO BE ATTACHED TO THE SURFACE OF EACH VALVE BOX BY MEANS OF APPROVED TAP OR OTHER MEANS ACCEPTABLE TO THE ENGINEER.
3. WATERMAIN BEDDING SHALL BE IN ACCORDANCE WITH OPSD 802.030 AND AS PER THE APPROVED GEOTECHNICAL REPORT.
4. ALL BENDS, TEES, JOINTS, ETC. ARE TO BE RESTRAINED WITH THRUST BLOCKS AS PER CITY OF OTTAWA STANDARD DETAILS W03.3 AND W04.4.
5. ALL PROPOSED WATER PIPING MUST BE ISOLATED FROM EXISTING LINES IN ORDER TO AVOID INDEPENDENT PRESSURE TESTING AND OILDRAMAING FROM EXISTING SYSTEMS.
6. WATERMANS AND/OR WATER SERVICES ARE TO HAVE A MINIMUM HORIZONTAL SLOPING OF 1.3m FROM SEWERS AND 1.2m FROM THEMSELVES AND 2.0m FROM ALL OTHER SERVICES AND UTILITIES.
7. BUILDING SERVICE VALVES TO BE 2.0m OFF THE EDGE OF BUILDING SIDEWALK UNLESS OTHERWISE SHOWN ON PLANS AND MUST BE MECHANICALLY RESTRAINED AS PER CITY OF OTTAWA STANDARDS.
8. WATERMANS SHALL BE INSTALLED AT A MINIMUM COVER OF 2.4m FROM PROPOSED GRADES AND MUST BE MAINTAINED AT ALL TIMES. OBJECT WATERMAIN WHERE REQUIRES TO AVOID CROSSINGS WITH OTHER SERVICES ACCORDING TO CITY OF OTTAWA DETAIL W02 WITH A MINIMUM DISTANCE 'D' OF 300m OTHERWISE PROVIDE TRENCH INSULATION AS PER CITY STD DWG W02 AND W03.
9. WATERMANS MUST HAVE A MINIMUM VERTICAL CLEARANCE OF 0.5m OVER AND 0.5m UNDER SEWERS AND ALL OTHER UTILITIES WHEN CROSSING AS PER CITY STD DWG W02 AND W03.2.
10. ALL WATERMAIN STUBS SHALL BE TERMINATED WITH A 50mm PLUG AND BLOW OFF AS PER CITY OF OTTAWA STANDARDS UNLESS OTHERWISE INDICATED.
11. HYDRANTS SHALL BE TO CITY OF OTTAWA STANDARDS. THE CONTRACTOR IS TO CERTIFY IN WRITING TO THE ENGINEER/OWNER THAT THE HYDRANTS HAVE BEEN TESTED IN ACCORDANCE WITH CITY OF OTTAWA OPSD AND LOCAL FIRE DEPARTMENT STANDARDS, AND THAT THEY ARE FULLY OPERATIONAL. MARKS NOZZLE TO FACE THE FIRE ROUTE. HYDRANT LOCATION AS PER CITY STD DWG W03. HYDRANT INDICATIONS AS PER CITY STD DWG W03.
12. PRIVATE FIRE HYDRANTS SHALL BE FLOW TESTED AND COLOUR CODED IN CONFORMANCE WITH THE LOCAL MUNICIPAL, REGIONAL AND FIRE DEPARTMENT REQUIREMENTS.
13. ALL DUCTILE IRON FITTINGS SHALL BE CATHODICALLY PROTECTED PER CITY OF OTTAWA STANDARDS.
14. ALL WATERMANS SHALL BE PRESSURE TESTED AND BACTERIOLOGICALLY TESTED IN ACCORDANCE WITH ALL LOCAL, MUNICIPAL, REGIONAL AND PROVINCIAL REQUIREMENTS. DISPOSAL OF CHLORINATED WATER TO BE IN ACCORDANCE WITH MUNICIPAL REQUIREMENTS.

COUNTERPOINT ENGINEERING INC. CONFORMANCE REQUIREMENTS

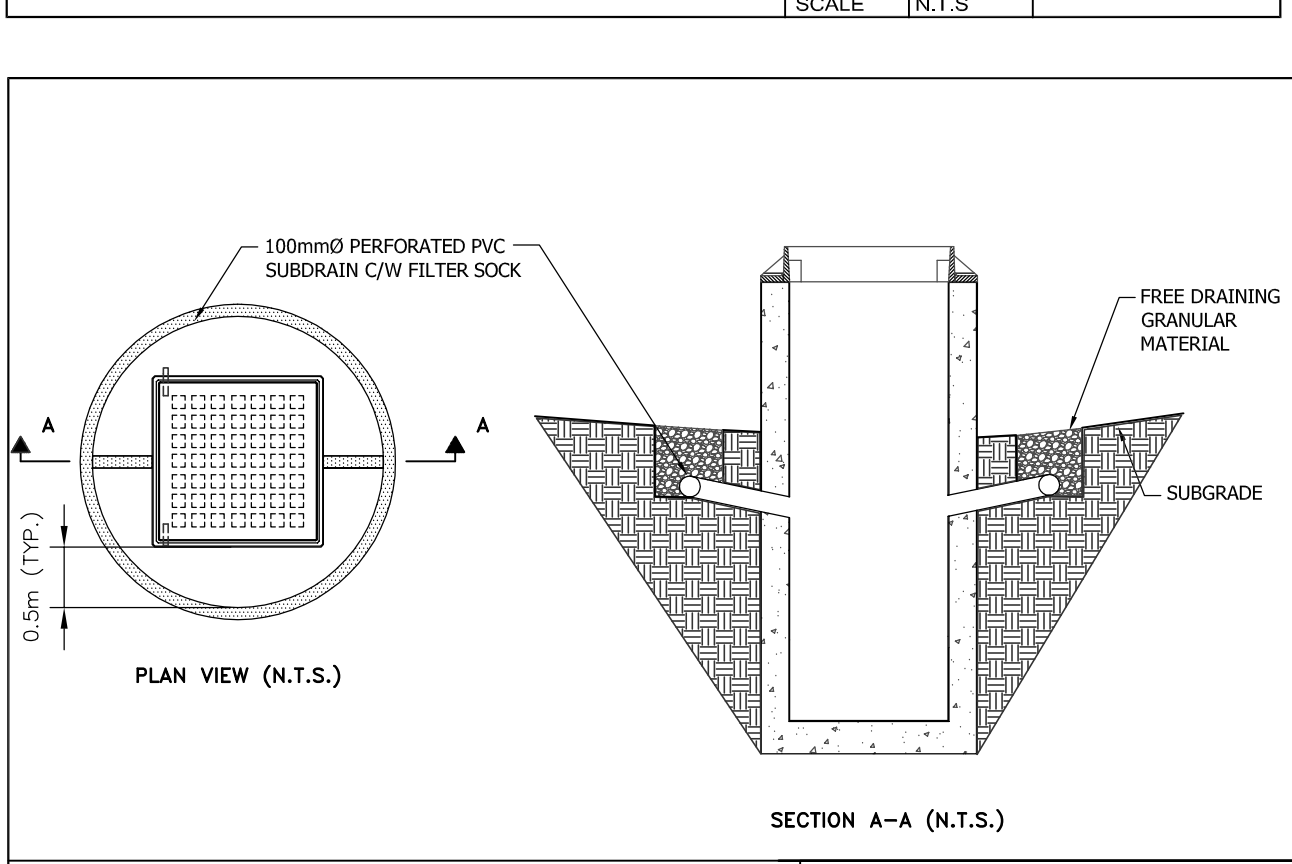
- 1. THE FOLLOWING ITEMS ARE TO BE PROVIDED TO COUNTERPOINT NO LESS THAN 10 WORKING DAYS PRIOR TO THE REQUEST FOR A LETTER OF GENERAL CONFORMANCE/FINAL CERTIFICATION. THE DOCUMENTS MUST INDICATE THAT THE SITE HAS BEEN CONSTRUCTED IN GENERAL CONFORMANCE WITH THE APPROVED DESIGN:
- AS-CONSTRUCTED TOPOGRAPHIC/UNDERGROUND SURVEY COMPLETED BY A REGISTERED LAND SURVEYOR AS PER THE SPECIFICATIONS OUTLINED WITHIN THE CONTRACT DOCUMENTS
- GEOTECHNICAL ENGINEER CERTIFICATION LETTER, WHICH INCLUDES SUB-GRADE CONSTRUCTION RESULTS, BEDDING AND BACKFILL CONFORMANCE AND MATERIAL ACCEPTANCE, GRANULAR, ASPHALT, SITE CONCRETE MATERIAL ACCEPTANCE AND CONFORMANCE RESULTS.
- CCTV INSPECTION OF FLUSHED STORM AND SANITARY PIPES AND STRUCTURES TO BE PROVIDED AT LEAST 10 DAYS PRIOR TO TOP WORKS PLACEMENT.
- OIL/LIGHT SEPARATOR MANUALS, RECORD OF INSPECTION AND CLEANING.
- WATERMAIN PRESSURE, CHLORINATION AND BACTERIAL TEST RESULTS AND MUNICIPAL APPROVAL IF AVAILABLE.
2. SHOULD THE SUBMITTED MATERIALS INDICATE NON-CONFORMANCE OR DEFICIENCIES, THEY MUST BE ADDRESSED TO COUNTERPOINT'S SATISFACTION WITH AN UPDATED SUBMITTAL PRIOR TO ISSUANCE OF LETTER OF GENERAL CONFORMANCE/FINAL CERTIFICATION.
3. COUNTERPOINT MUST ALSO COMPLETE ALL NECESSARY SITE INSPECTIONS AS OUTLINED IN THE APPROVED SERVICE PROGRAM, WITH ALL DEFICIENCIES ADDRESSED TO COUNTERPOINT'S SATISFACTION.



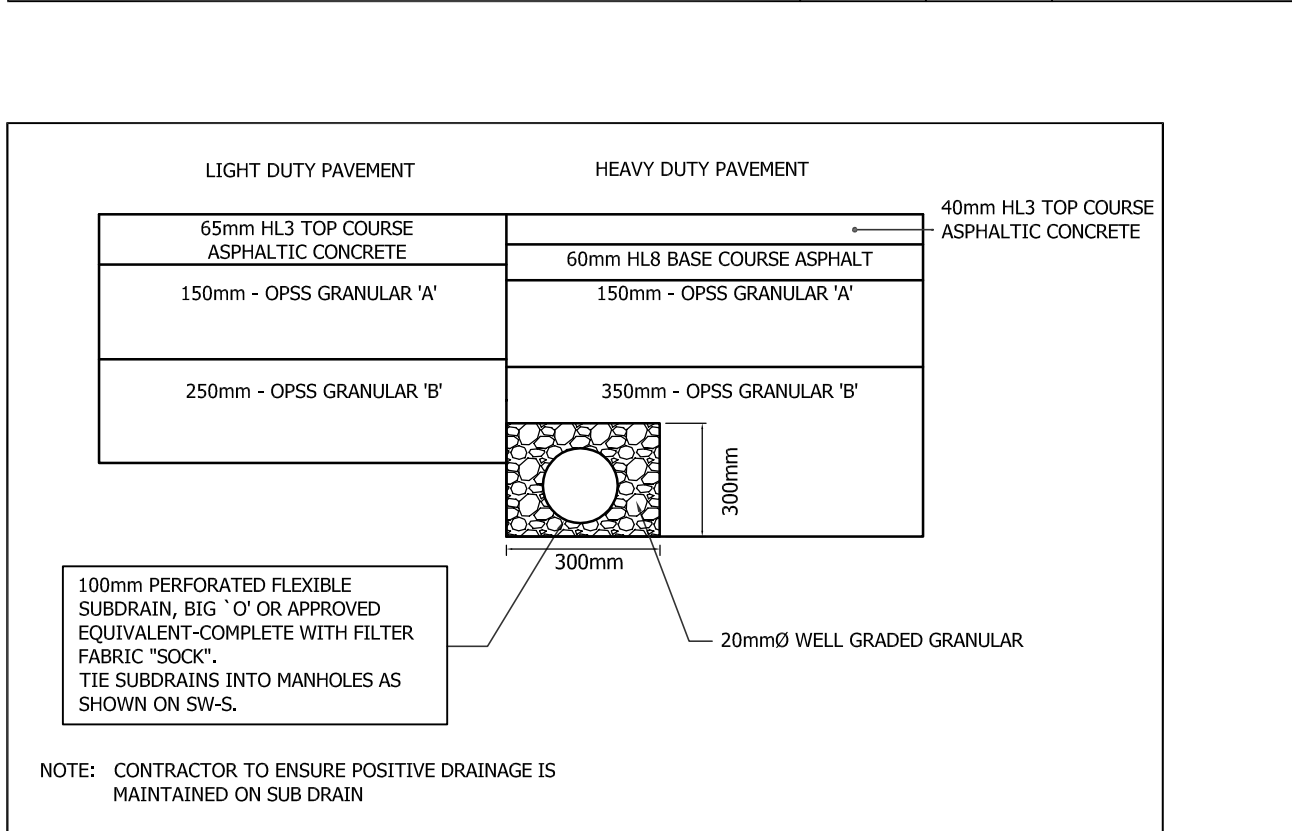
STEP JOINT DETAIL counterpoint ENGINEERING INC. CONSULTANT ENGINEER/PROFESSIONAL ENGINEER (CIVIL) 1480 BAYVIEW AVE. TORONTO, ONT. M2H 2B4 TEL: (416) 291-1111 FAX: (416) 291-1112 SEPTEMBER 2009 (REV. 1) SCALE: 1/1.5



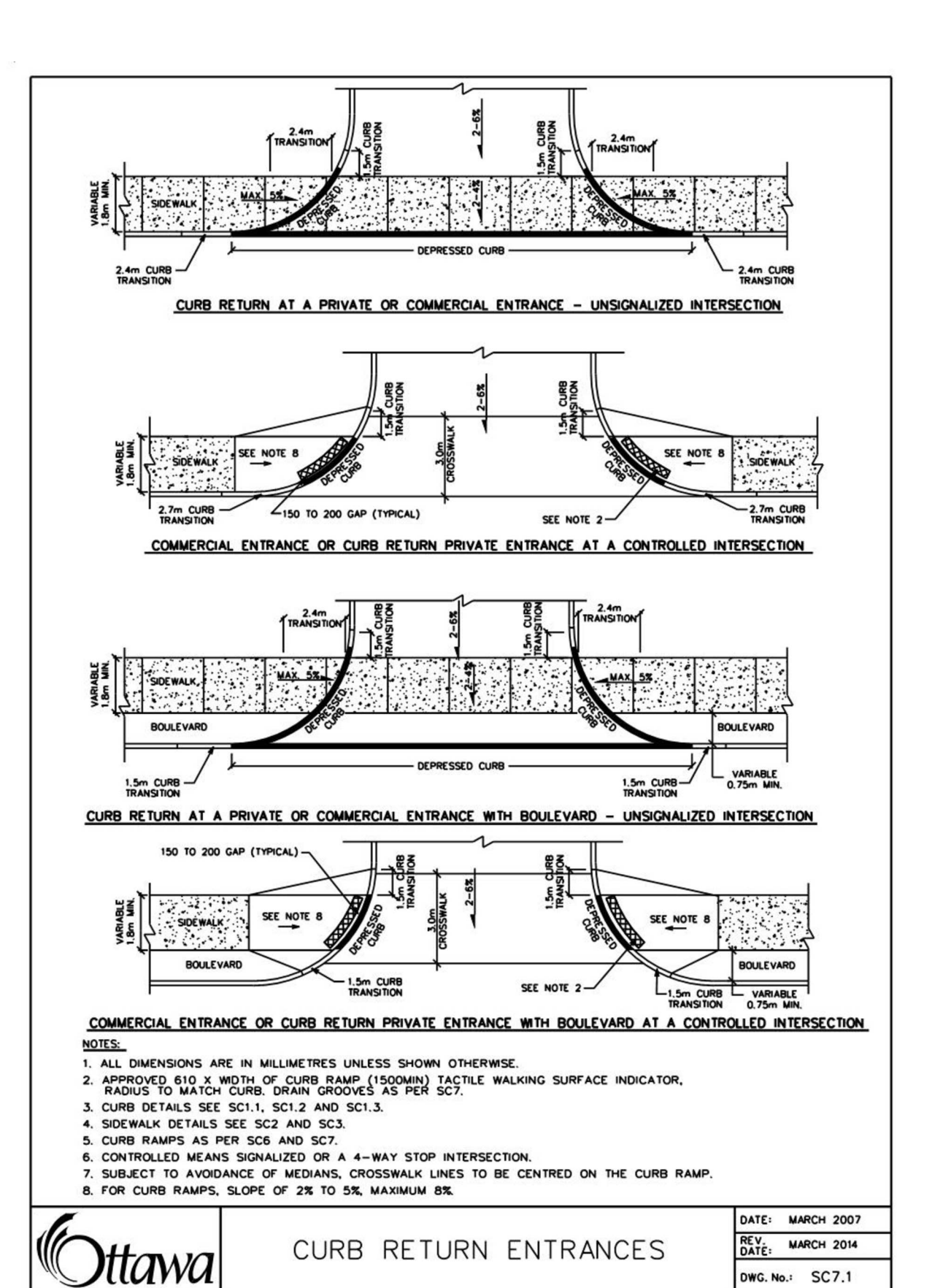
BUTT JOINT DETAIL counterpoint ENGINEERING INC. CONSULTANT ENGINEER/PROFESSIONAL ENGINEER (CIVIL) 1480 BAYVIEW AVE. TORONTO, ONT. M2H 2B4 TEL: (416) 291-1111 FAX: (416) 291-1112 SEPTEMBER 2009 (REV. 1) SCALE: 1/1.5



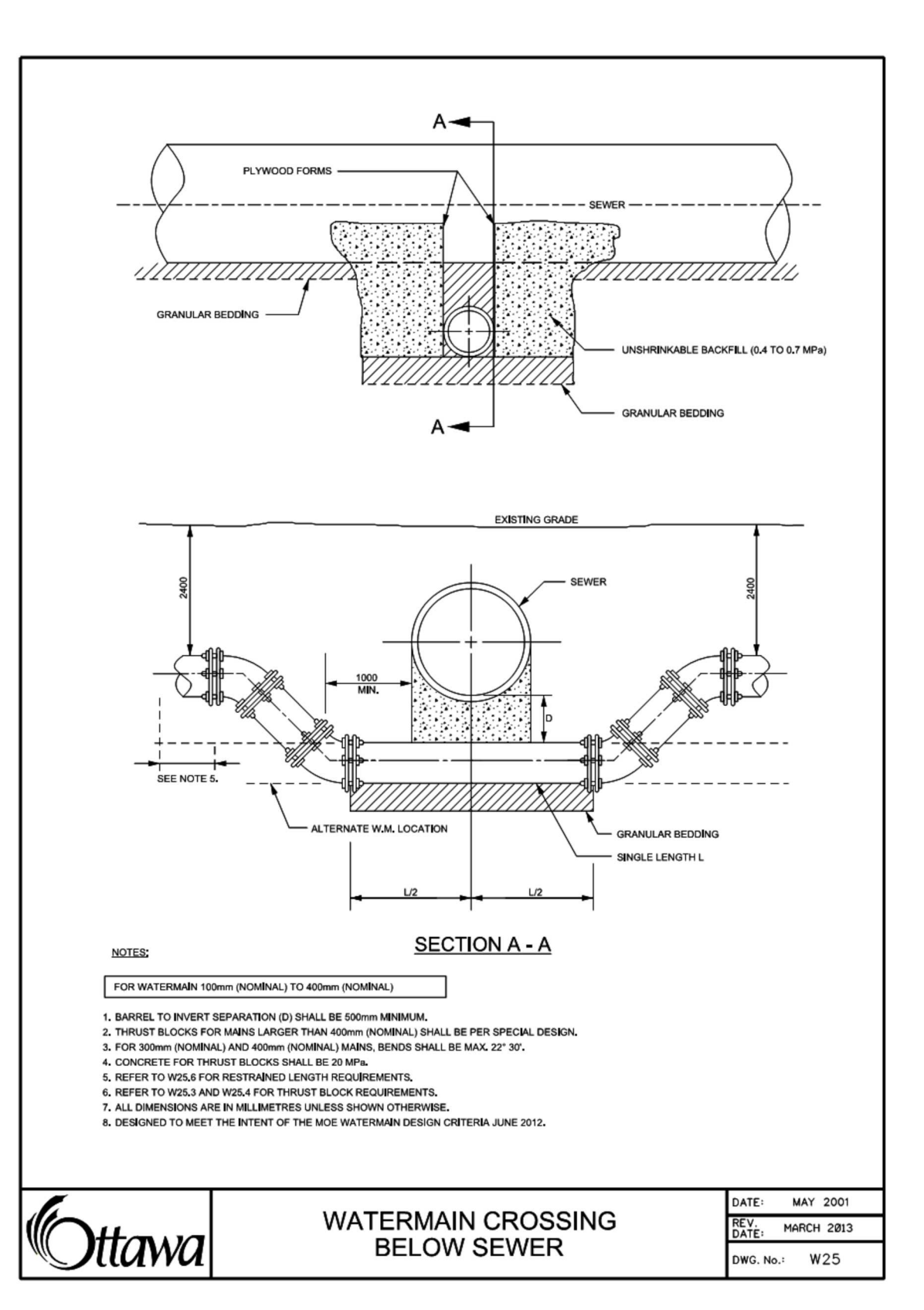
CATCHBASIN SUBDRAIN DETAIL counterpoint ENGINEERING INC. CONSULTANT ENGINEER/PROFESSIONAL ENGINEER (CIVIL) 1480 BAYVIEW AVE. TORONTO, ONT. M2H 2B4 TEL: (416) 291-1111 FAX: (416) 291-1112 SEPTEMBER 2009 (REV. 1) SCALE: 1/1.5



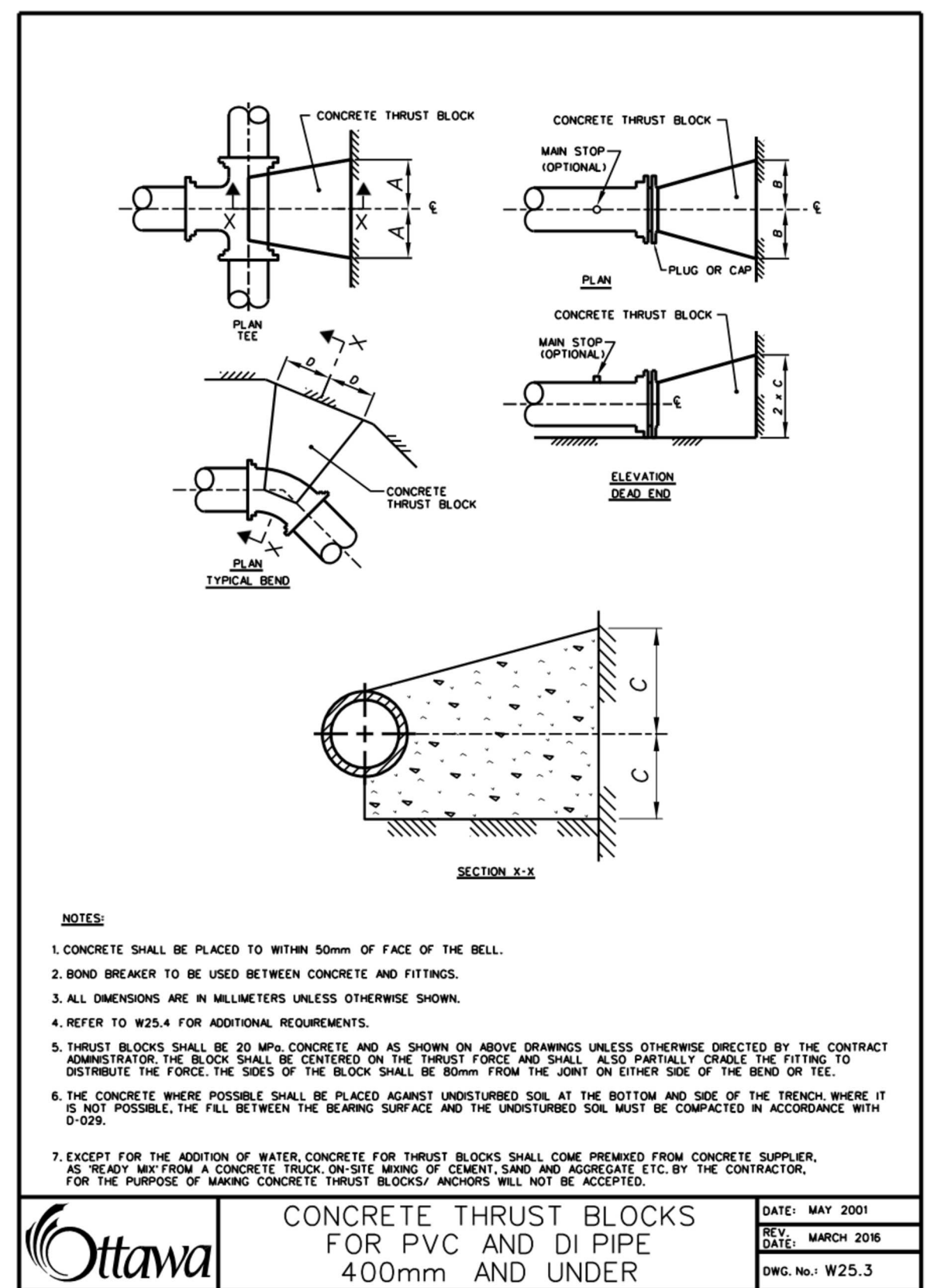
HEAVY DUTY / LIGHT DUTY ASPHALT INTERFACE SUBDRAIN counterpoint ENGINEERING INC. CONSULTANT ENGINEER/PROFESSIONAL ENGINEER (CIVIL) 1480 BAYVIEW AVE. TORONTO, ONT. M2H 2B4 TEL: (416) 291-1111 FAX: (416) 291-1112 SEPTEMBER 2009 (REV. 1) SCALE: 1/1.5



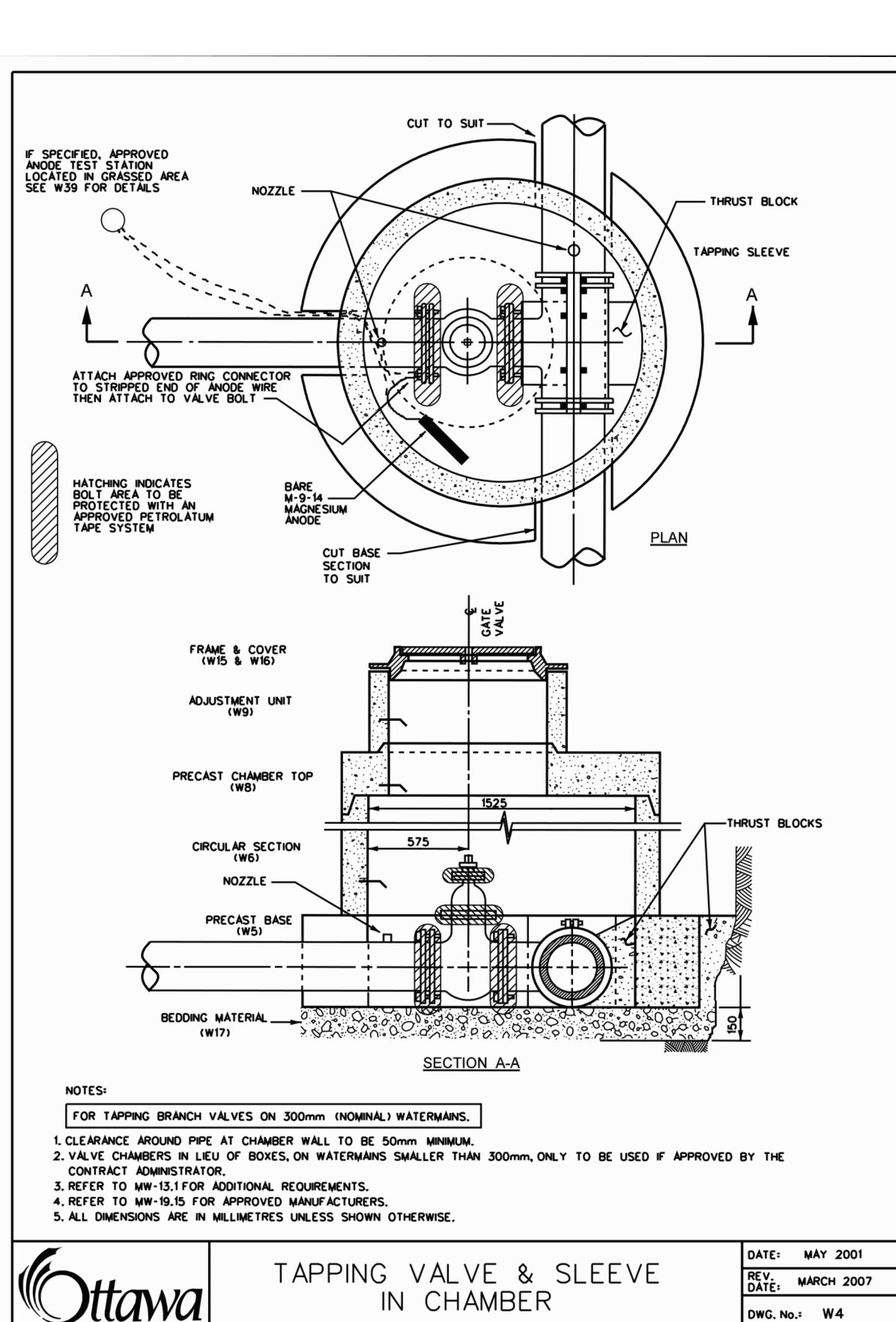
CURB RETURN ENTRANCES counterpoint ENGINEERING INC. CONSULTANT ENGINEER/PROFESSIONAL ENGINEER (CIVIL) 1480 BAYVIEW AVE. TORONTO, ONT. M2H 2B4 TEL: (416) 291-1111 FAX: (416) 291-1112 SEPTEMBER 2009 (REV. 1) SCALE: 1/1.5



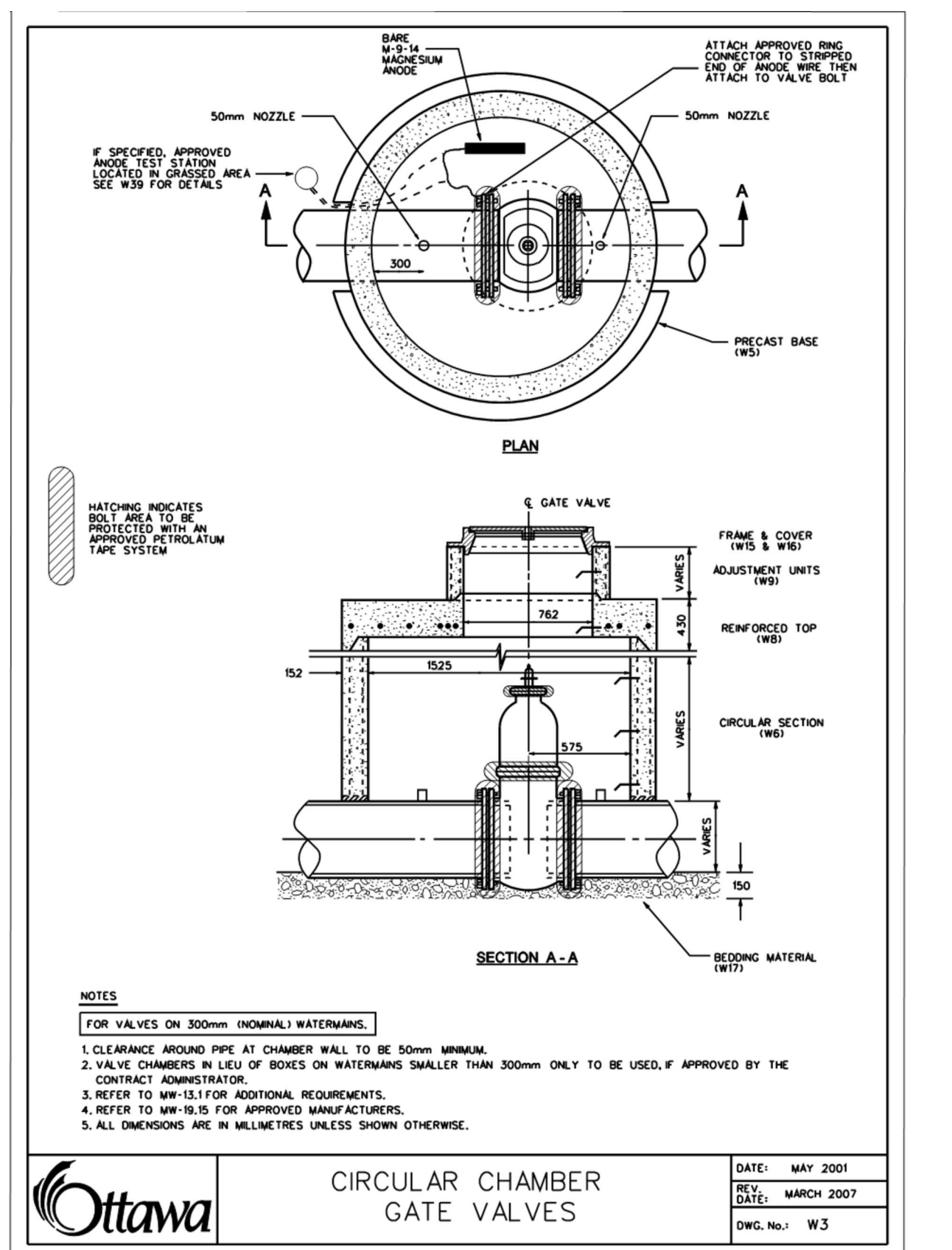
WATERMAIN CROSSING BELOW SEWER Ottawa DATE: MAY 2003 TEL: MARCH 2011 REV: NO. W23



CONCRETE THRUST BLOCKS FOR PVC AND DI PIPE 400mm AND UNDER Ottawa DATE: MAY 2003 TEL: MARCH 2011 REV: NO. W23.5



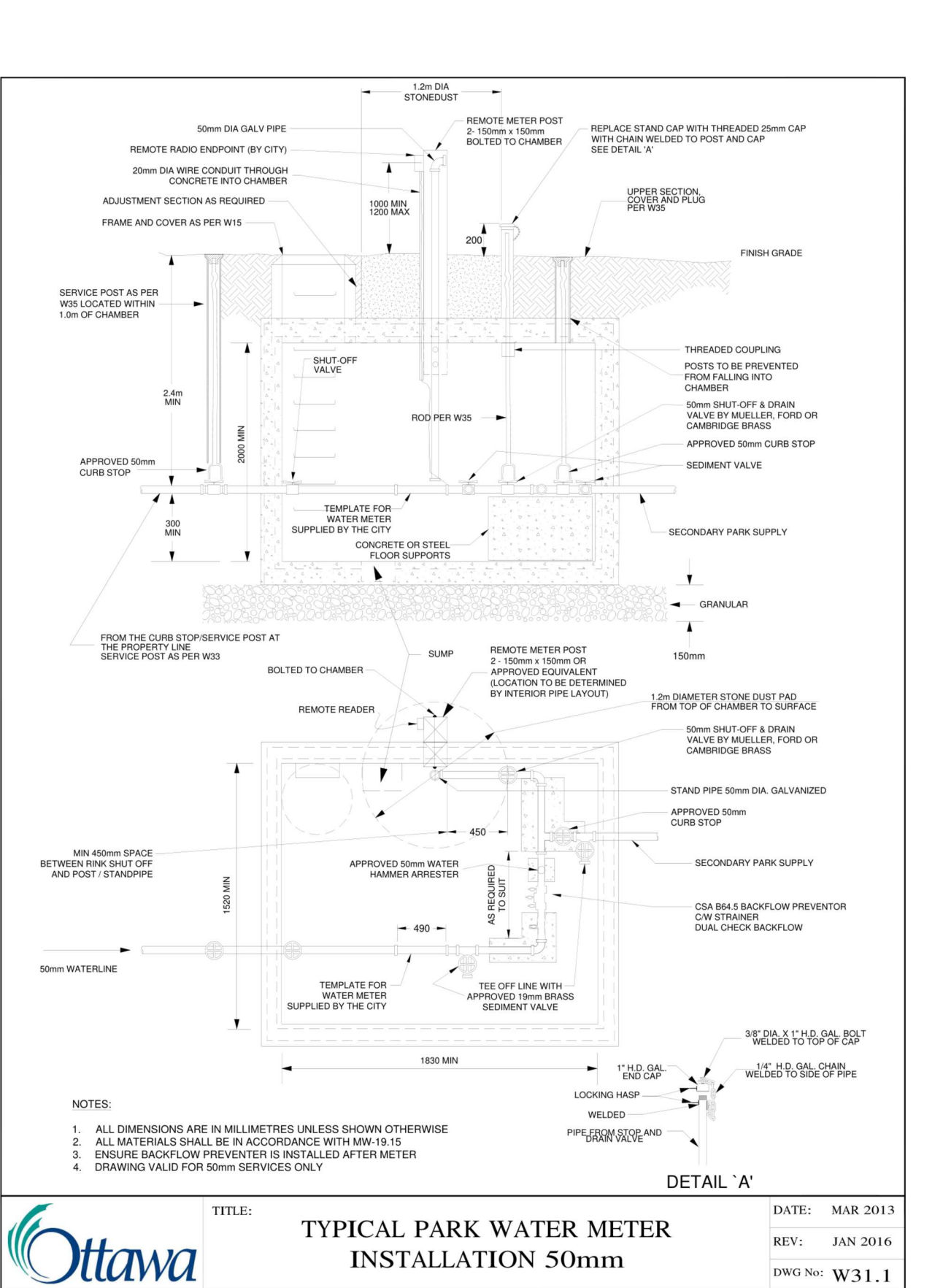
TAPPING VALVE & SLEEVE IN CHAMBER Ottawa DATE: MAY 2003 TEL: MARCH 2011 REV: NO. W6



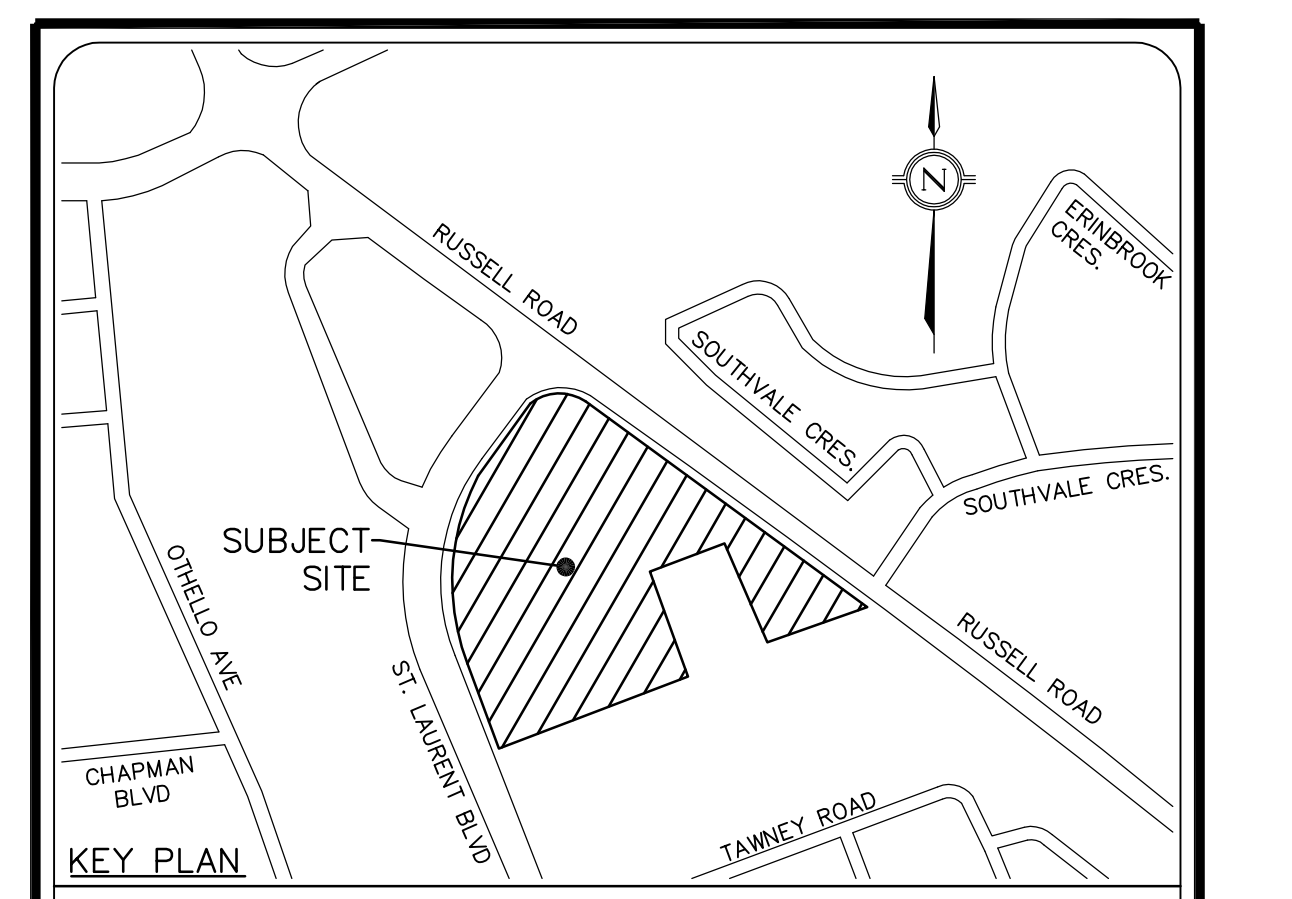
CIRCULAR CHAMBER GATE VALVES Ottawa DATE: MAY 2003 TEL: MARCH 2011 REV: NO. W13

Table with 3 sections: SOILS WITH TYPICAL BEARING STRENGTH OF 100 TO 150 KPa, SOILS WITH TYPICAL BEARING STRENGTH OF 200 TO 250 KPa, and SOILS WITH TYPICAL BEARING STRENGTH OF 300 KPa AND OVER. Each section includes a table of dimensions (A, B, C, D) for different diameters (100, 150, 200, 250, 300, 350, 400, 450, 500, 600, 650, 750, 800, 900, 1000 mm).

THRUST BLOCK DIMENSION TABLES FOR PVC AND DI PIPE 400mm AND UNDER Ottawa DATE: MAY 2003 TEL: MARCH 2011 REV: NO. W23.4



TYPICAL PARK WATER METER INSTALLATION 50mm Ottawa DATE: MAR 2011 REV: JAN 2016 REV: NO. W31.1



KEY PLAN LEGEND

LEGAL & TOPOGRAPHY PROVIDED BY: ANNE O'SULLIVAN, VOLLBERG LTD. 14 CONTOURSE GATE, SUITE 500 NAPERVA, ONTARIO, L2E 7P6 PHONE: (613) 727-0850
BENCHMARK NOTE: BENCHMARK ARE ASTROMERIC, DERIVED FROM THE EASTERLY LIMIT OF ST. LAURENT BOULEVARD, SHOWN TO BE N21515'W
ELEVATION NOTE: NOTES: ELEVATIONS SHOWN ARE GEODETIC AND ARE REFERRED TO THE CGVD28 GEODETIC DATUM.

Table with 3 columns: No., ISSUED FOR, DATE. Row 01: ISSUED FOR SITE PLAN APPLICATION APPROVAL #2, MAR 17, 2022, J.V. Row 02: ISSUED FOR COORDINATION, DEC 22, 2022, J.V. Row 03: ISSUED FOR SITE PLAN APPLICATION APPROVAL #1, MAR 17, 2022, J.V.

counterpoint ENGINEERING INC. CONSULTANT ENGINEER/PROFESSIONAL ENGINEER (CIVIL) 8395 JANA ST., Suite 100, Vaughan, ON L4K 9Y2 Phone: 905.326.1464 Fax: 905.326.1405

APPLICANT: STARLIGHT DEVELOPMENTS INC. 3260 BLOOR STREET WEST, CENTRE TOWER - UNIT# 1400 TORONTO, ONTARIO M6X 2X5 PHONE: (416) 234-8444 FAX: (416) 855-0192 CONTACT: MATTHEW CELLUCCI

SITE LOCATION: PROPOSED RESIDENTIAL DEVELOPMENT MULTI-UNIT RESIDENTIAL TOWER DEVELOPMENT 1971 & 1975 ST. LAURENT BLVD., OTTAWA

NOTES & DETAILS PLAN table with columns: DESIGNED BY, CHECKED BY, DATE, DRAWING NO., PROJECT NO., SCALE, DRAWING NO. Row 1: G.D., J.V., MAR 11, 2022, 21106, SW-ND