



**KEY PLAN**  
N.T.S.  
**LEGEND**  
SEE ABBREVIATIONS BELOW

**BENCHMARK:** ELEVATIONS ARE GEODETIC, IN METRES, AND DERIVED FROM THE CAN-NET VRS NETWORK MONUMENT: OTTAWA  
ELEVATION=95.230

**BEARING:** BEARINGS ARE GRID. DERIVED FROM THE CAN-NET VRS NETWORK OBSERVATIONS ON NCC HORZ CONTROL MONUMENTS 19773035 & 19680191, CENTRAL MERIDIAN, 76°30' W LONGITUDE MTM ZONE 9

**SITE PLAN:** KPMG, PERKINS & WILL

**SURVEY:** STANTEC GEOMATICS LTD., 220324

5			
4			
3			
2			
1	ISSUED FOR REVIEW	230210	E.C.B.
NO.	ISSUE	DATE	BY

**DRAWING NOTES NOT FOR CONSTRUCTION**

- THIS DRAWING IS THE EXCLUSIVE PROPERTY OF THE MUNICIPAL INFRASTRUCTURE GROUP LTD (TMIG). THE REPRODUCTION OF ANY PART WITHOUT PRIOR WRITTEN CONSENT FROM TMIG IS STRICTLY PROHIBITED.
- THIS DRAWING IS TO BE READ AND UNDERSTOOD IN CONJUNCTION WITH ALL OTHER DRAWINGS AND DOCUMENTS APPLICABLE TO THIS PROJECT.
- THIS DRAWING IS NOT TO BE ISSUED FOR CONSTRUCTION UNTIL ALL REQUIRED PERMITS HAVE BEEN ISSUED.
- THE CONTRACTOR SHALL VERIFY ALL DIMENSIONS, ELEVATIONS, INVERTS AND DATA ON SITE AND REPORT ANY DISCREPANCIES OR OMISSIONS TO TMIG 48 HOURS PRIOR TO ANY CONSTRUCTION.

ABBREVIATIONS		TW = TOP OF WALL	BW = BOTTOM OF WALL	CONC = CONCRETE	HDPE = HIGH DENSITY POLYETHYLENE
GENERAL:	PROP = PROPOSED	SERVICING:	STM = STORM	CB = CATCH BASIN	MH = MAINTENANCE HOLE
EX = EXISTING	G16M @ 300	SAN = SANITARY	WAT = WATER	DCB = DOUBLE CATCH BASIN	AD = AREA DRAIN
ELEVATIONS:	TC = TOP OF CURB	PVC = POLYVINYL CHLORIDE	TD = TRENCH DRAIN		
BC = BOTTOM OF CURB					

**GENERAL NOTES:**

- DESIGN CODE**  
CSA-S6-19
- UNITS**  
DIMENSIONS ARE IN mm.
- SPECIFICATIONS**  
ONTARIO PROVINCIAL STANDARD SPECIFICATION:  
904 - CONCRETE STRUCTURE  
905 - STEEL REINFORCEMENT FOR CONCRETE  
919 - FORMWORK AND FLASEWORK  
929 - ABRASIVE BLAST CLEANING - CONCRETE CONSTRUCTION  
930 - STRUCTURAL REHABILITATION - CONCRETE PATCHES AND OVERLAYS  
1002 - AGGREGATES - CONCRETE  
1301 - CEMENTING MATERIALS  
1302 - WATER  
1303 - ADMIXTURES FOR CONCRETE  
1440 - STEEL REINFORCEMENT FOR CONCRETE

CITY OF OTTAWA SPECIAL PROVISION:  
F-9040 CONCRETE STRUCTURES  
F-9043 CEMENTING MATERIALS  
F-9045 CONCRETE - MATERIALS AND PRODUCTION
- CLASS OF CONCRETE**  
CLASS OF CONCRETE SHALL BE IN ACCORDANCE WITH CSA A23.1.
- COMPONENT** 28 DAYS COMPRESSIVE STRENGTH 35 MPa EXPOSURE CLASS C-1
- THE RAPID CHLORINE PERMEABILITY OF CONCRETE SHALL NOT EXCEED 1000 COULOMBS AT 90 DAYS.**
- CLEAR COVER TO REINFORCEMENT BAR**  
SIDEWALK 70mm ±20
- REINFORCEMENT BAR**  
EXISTING BAR MARKS WITH THE PREFIX 'G' DENOTE GFRP BAR.
- NEW BAR MARKS WITH THE PREFIX 'S' DENOTE STAINLESS STEEL BAR TYPE 316LN OR DUPLEX 2205 (420MPa).**
- CONSTRUCTION NOTES**  
ALL MATERIALS SHALL BE IN ACCORDANCE WITH MTO DESIGNATED SOURCES FOR MATERIALS.
- REFERENCE DRAWINGS**  
AS-BUILD DRAWINGS REM-27-1-BSBR-DRD.

**TMIG**  
TYLIN INTERNATIONAL COMPANY

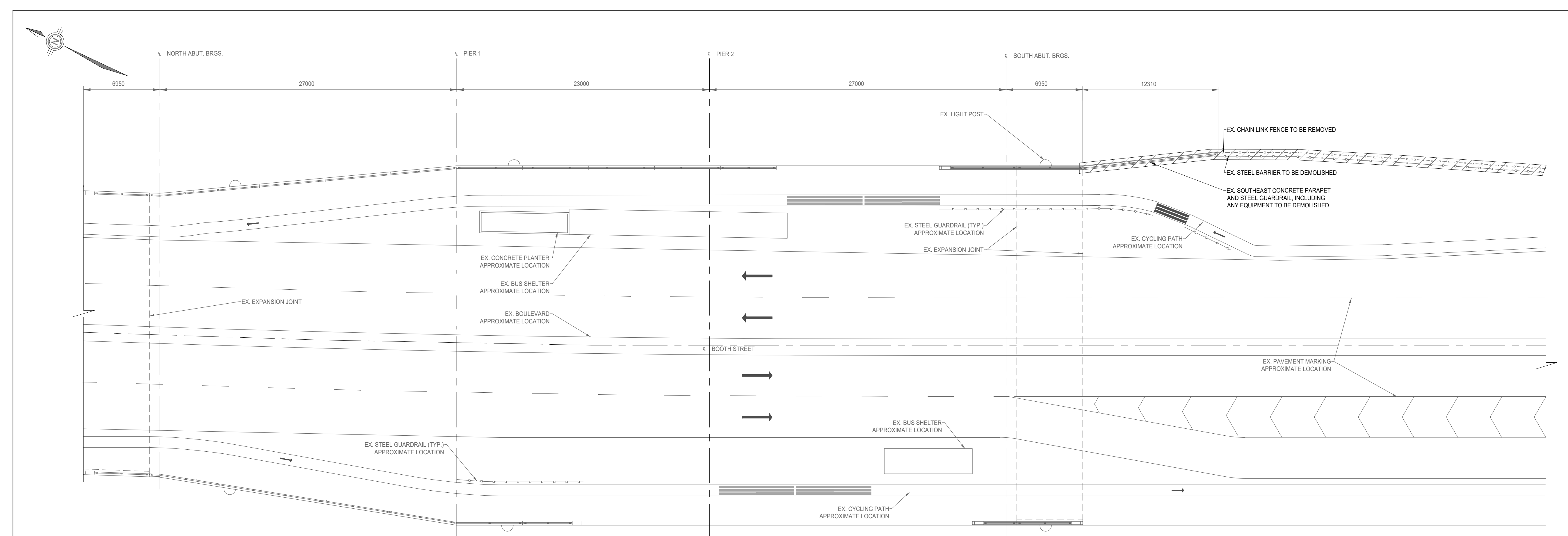
8800 DUFFERIN STREET, SUITE 200  
VAUGHAN, ON L4K 0C5  
p: 905.738.5700  
f: 905.738.0065

**SOUTHEAST CONCRETE PARAPET REMOVAL**

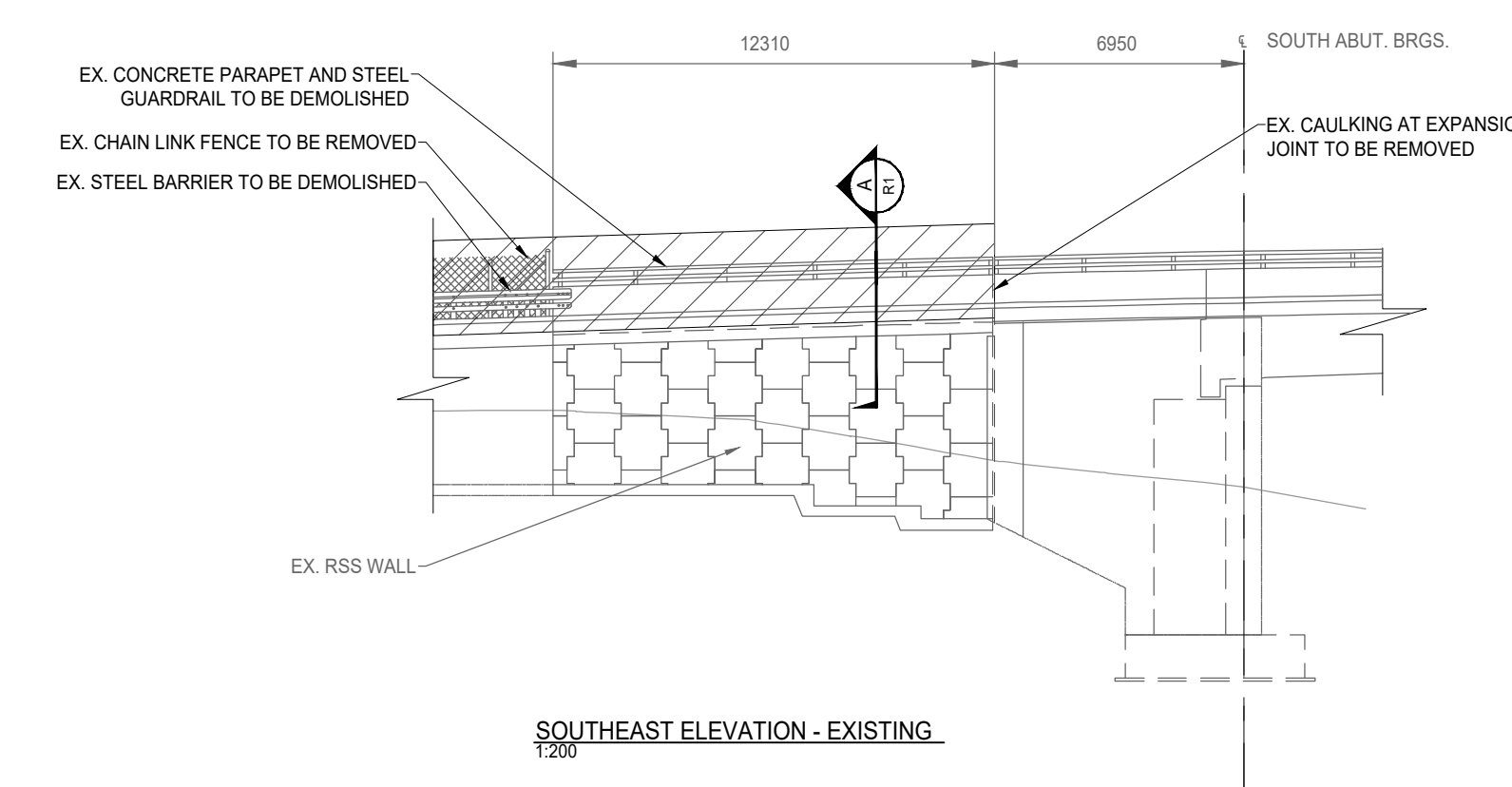
**LEBRETON LIBRARY PARCEL**

**DREAM**

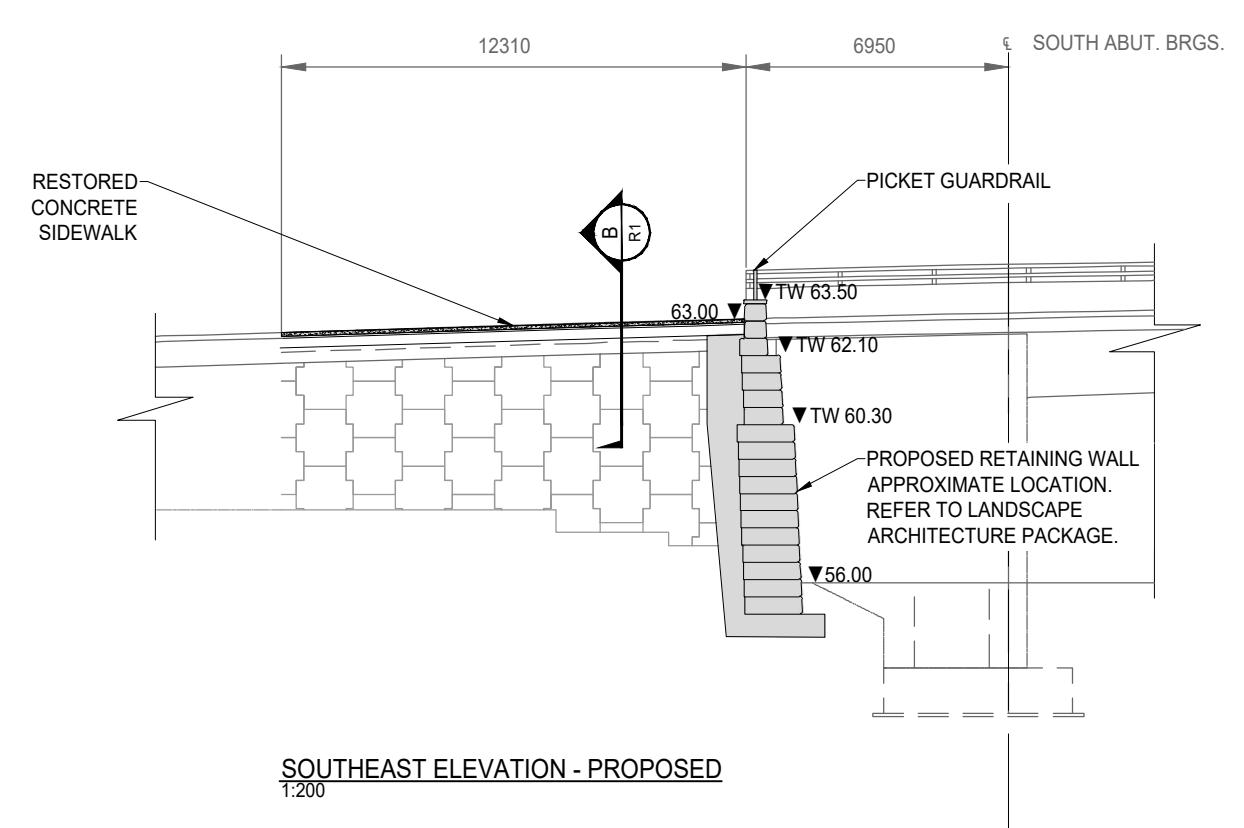
SCALE: NTS	PROJECT #
DATE: APRIL 2022	<b>10399</b>
DRAWN BY: A.N.	DRAWING #
DESIGNED BY: E.C.B.	<b>R1</b>
CHECKED BY: B.W.	



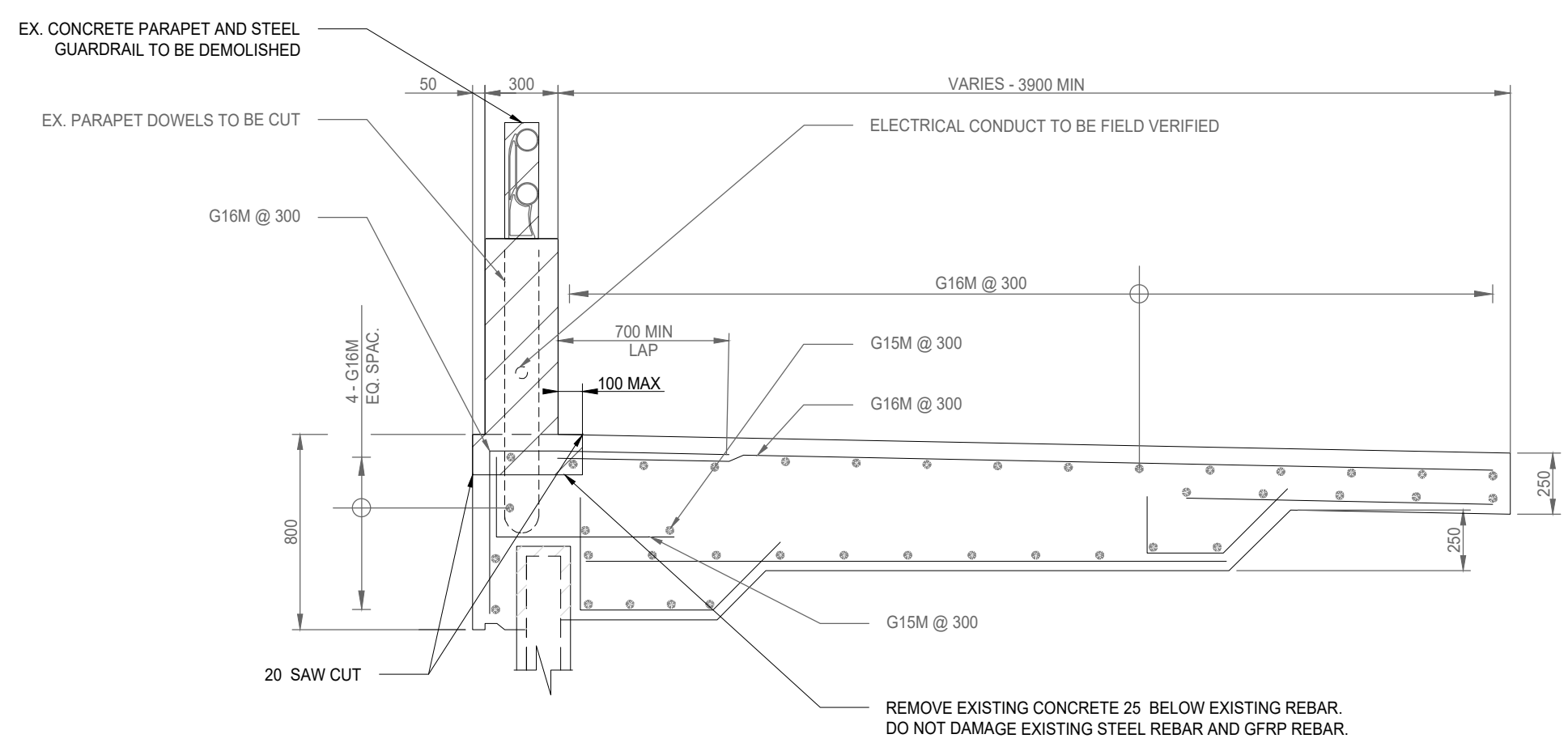
**PLAN - EXISTING**  
1/200



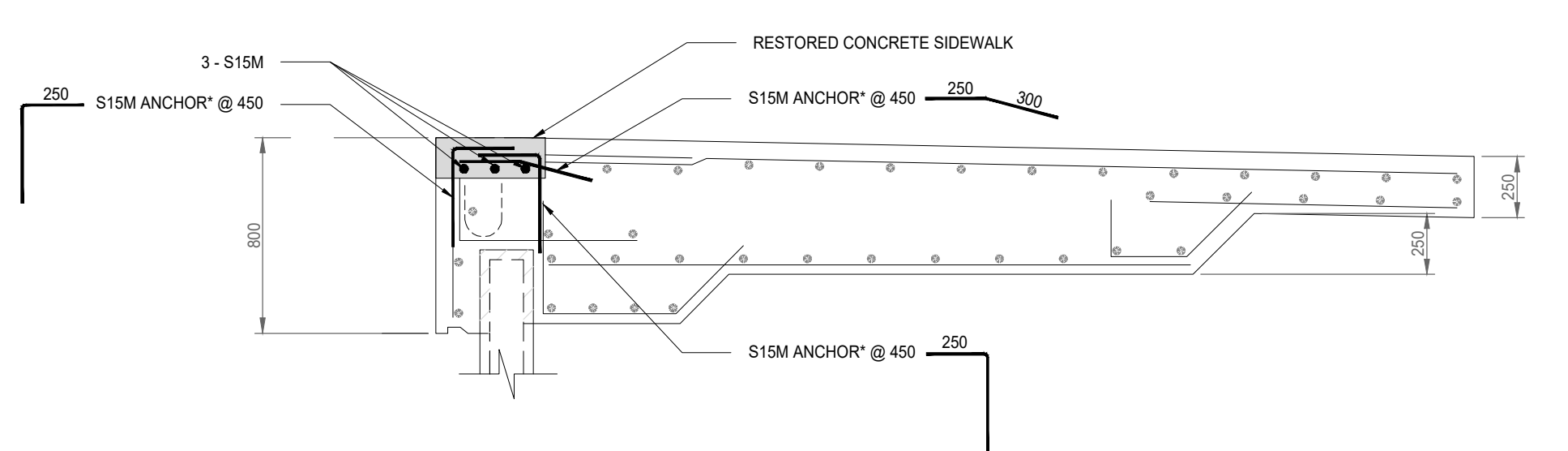
**SOUTHEAST ELEVATION - EXISTING**  
1/200



**SOUTHEAST ELEVATION - PROPOSED**  
1/200



**SECTION - EXISTING**  
1/25



**SECTION - PROPOSED**  
1/25

File: G:\Projects\2022\10399 - Dream - LeBreton Library Parcel\0399 Parapet Removal.dwg, Layout: R1, Date: Feb 09, 2023, 11:44am, Ecl By: angela.soon