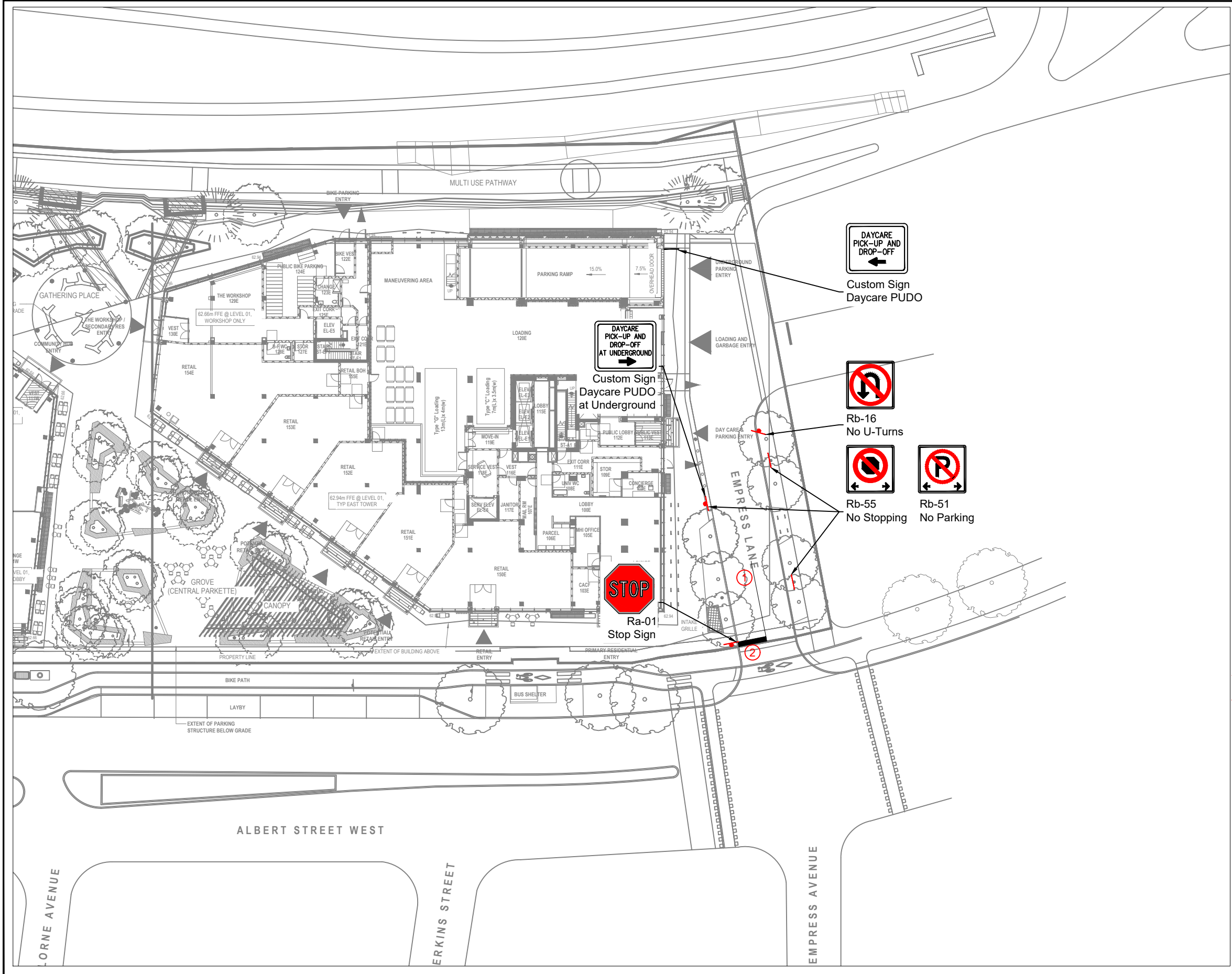
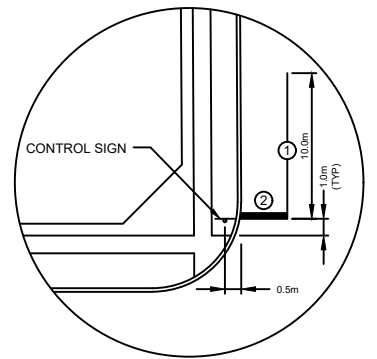


\\TYL.COM\Files\Units\Vaughan\Legacy\Company\Projects\2021\10399 - Dream - LeBreton Library Parcel\Transportation & Mobility\03 Analysis\03 Site Review & Circulation\2023\0201_PMSB



TRAFFIC SIGN SCHEDULE			
SIGN DESCRIPTION	MESSAGE	QUANTITY	COMMENTS
Ra-1	STOP	1	
Rb-16	NO U-TURNS	1	
Rb-51	NO PARKING	3	To be installed at the same pole with Rb-51
Rb-55	NO STOPPING	3	To be installed at the same pole with Rb-55
Custom Sign	DAYCARE PICK-UP AND DROP-OFF	1	
Custom Sign	DAYCARE PICK-UP AND DROP-OFF AT UNDERGROUND	1	To be installed at the pole located near the concourse, same pole with Rb-51 and Rb-55



TYPICAL CONTROL SIGN AND STOP BAR LOCATION

PAVEMENT MARKING LEGEND			
IDENTIFICATION	TYPE	COLOUR	WIDTH (cm)
1	SOLID	YELLOW	10
2	SOLID	WHITE	50

NOTES:

1. EXACT LOCATION OF SIGNAGE CAN BE DETERMINED ONCE THE STREETLIGHT AND UTILITY PLANS ARE FINALIZED THE DETAILED DESIGN STAGE
2. MEASUREMENTS IN METRES AND/OR MILLIMETRES UNLESS OTHERWISE SHOWN.
3. ALL MARKINGS AND SIGNS SHALL CONFORM WITH THE ONTARIO TRAFFIC MANUAL (OTM)
4. FINAL LOCATION OF ALL SIGNS SHALL BE APPROVED BY THE ENGINEER PRIOR TO INSTALLATION.
5. FINAL PAVEMENT MARKINGS SHALL BE APPROVED BY THE DEVELOPER.
6. ALL SIGNS ARE STEEL POST-MOUNTED, UNLESS OTHERWISE INDICATED.

SIGNAGE LEGEND:

- POLE MOUNTED
- WALL MOUNTED/MOUNT ON PROPOSED LIGHT POST