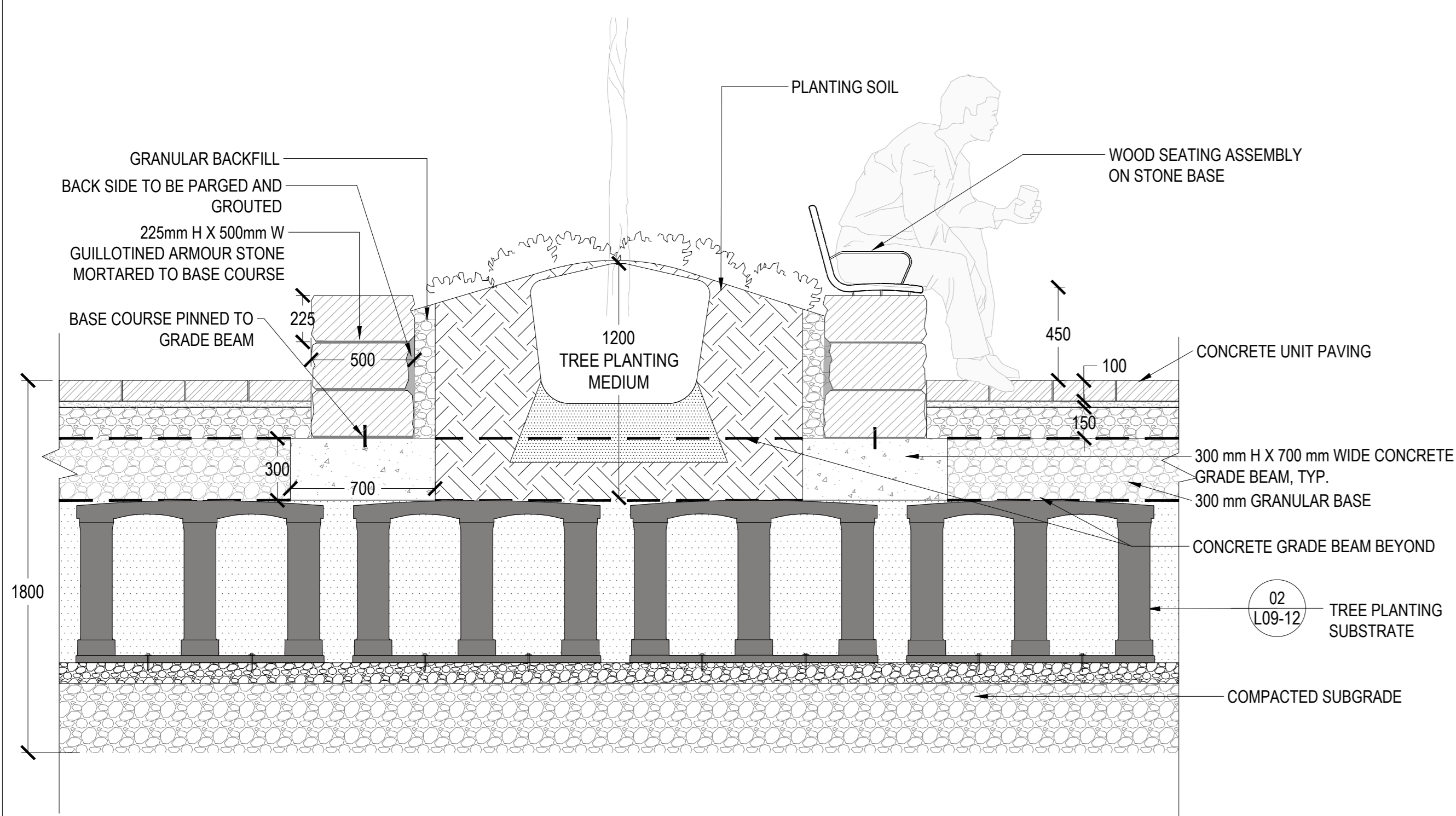
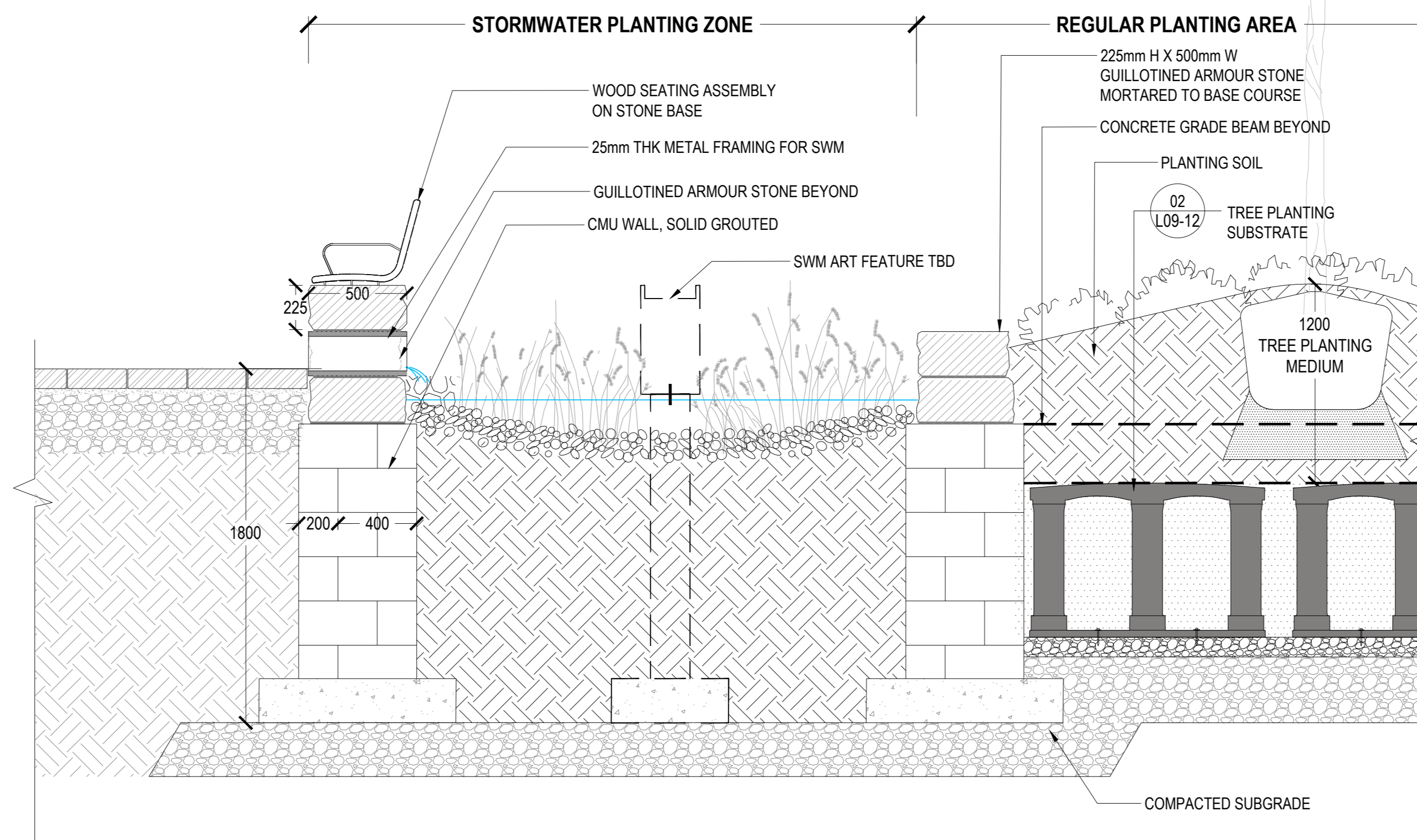


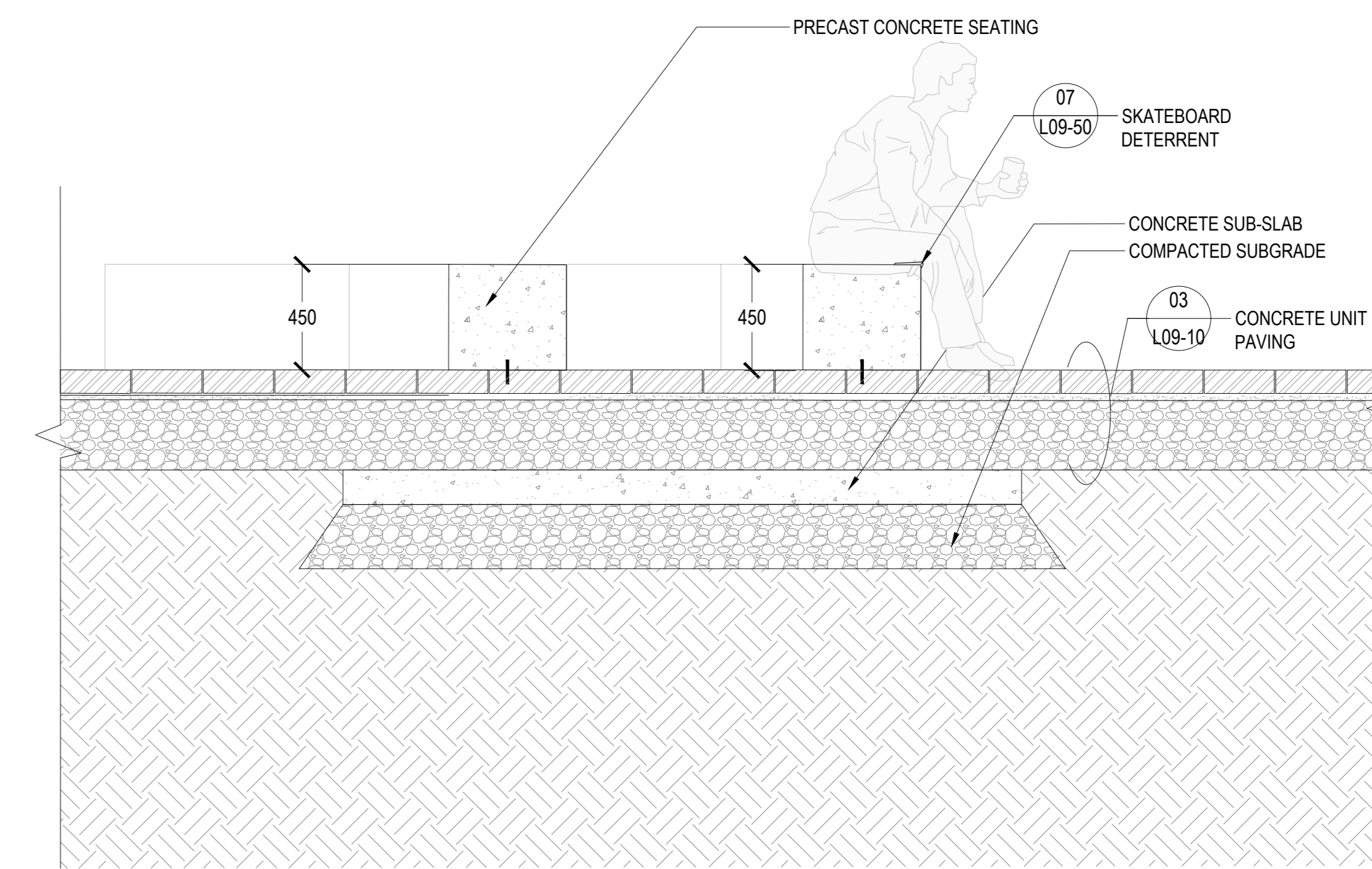
NOTE: TREE PLANTING SUBSTRATE WILL BE COMPRISED OF A MIXTURE OF SOIL CELLS, GROWING MEDIUM, AND STRUCTURAL SOILS SUFFICIENT TO PROVIDE REQUIRED SOIL VOLUMES FOR HEALTHY TREE ROOT NETWORKS.



01 WOODTOP SEATING AT WEDGE PARK
SCALE: 1:20

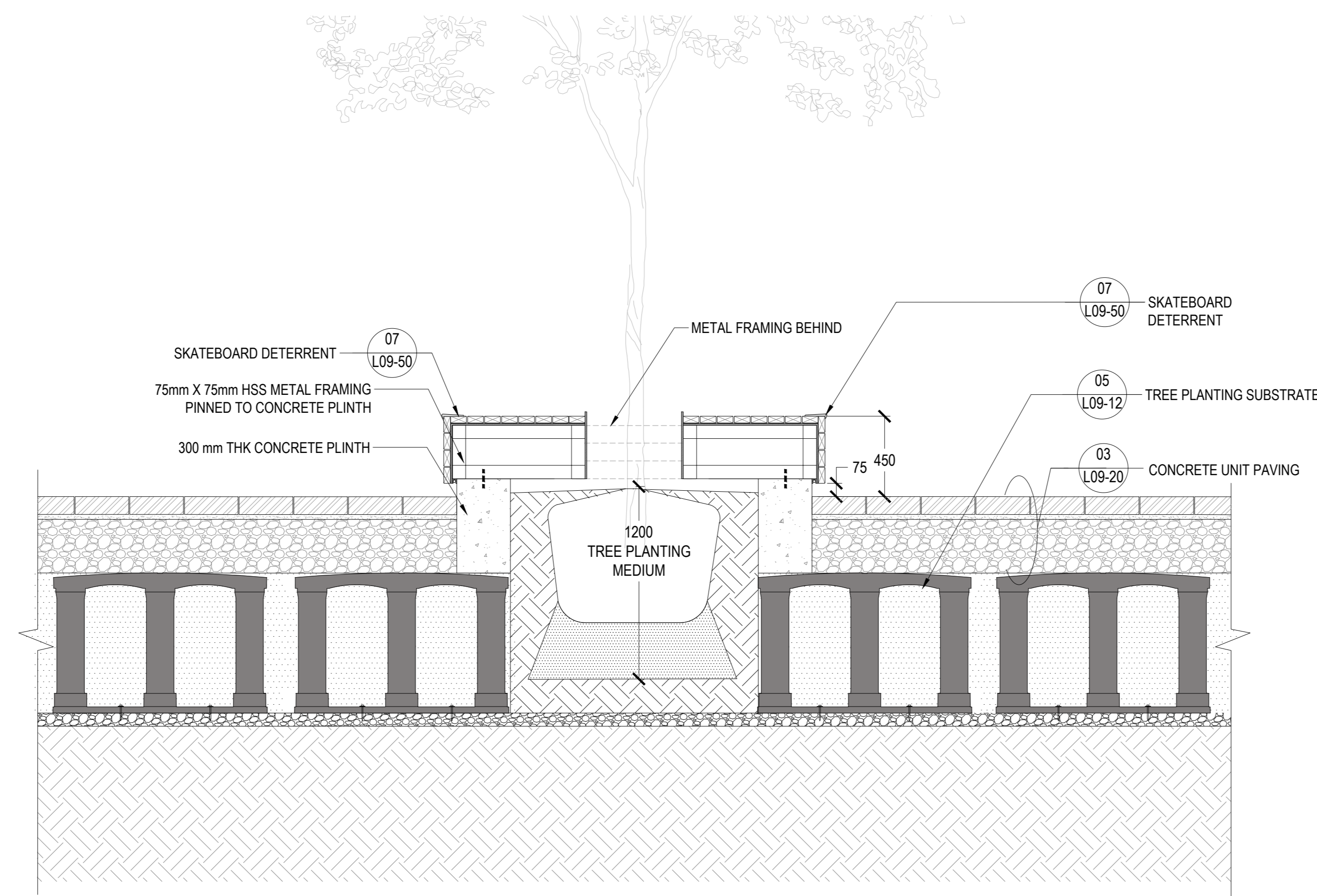


02 STORMWATER PLANTER AT WEDGE PARK
SCALE: 1:20



03 CONCRETE SEATING AT GATHERING CIRCLE
SCALE: 1:20

DELETED

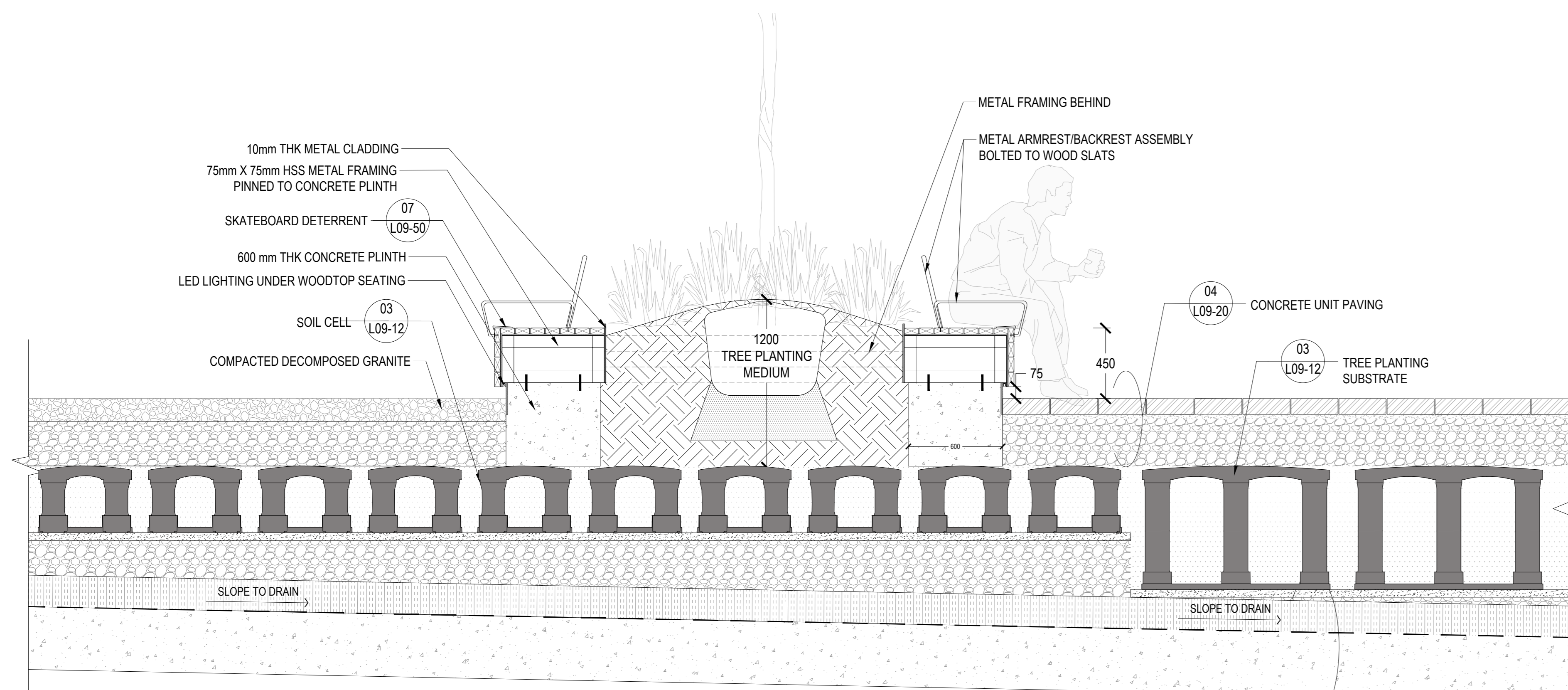


05 WOODTOP SEATING PLATFORM AT PIMISI PLAZA
SCALE: 1:20

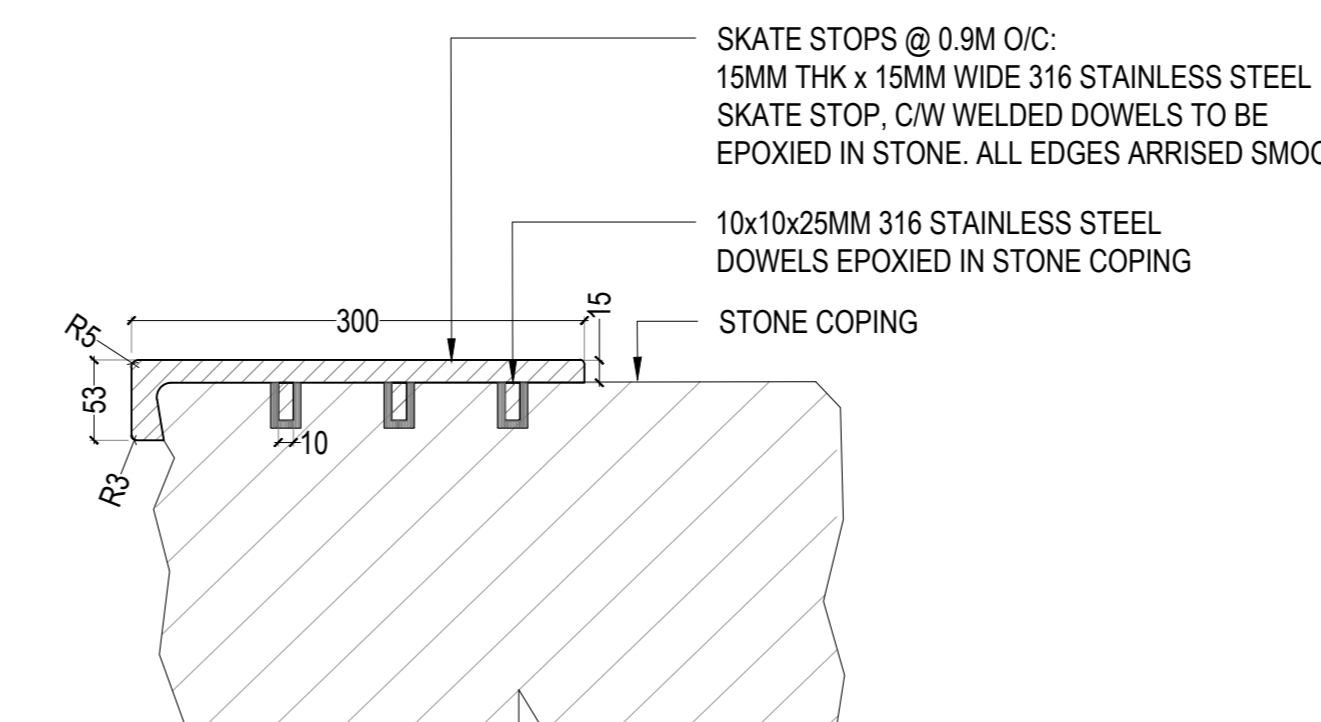
ANDREW MCCREIGHT
MANAGER (A), DEVELOPMENT REVIEW CENTRAL
PLANNING, REAL ESTATE & ECONOMIC DEVELOPMENT
DEPARTMENT, CITY OF OTTAWA

APPROVED
By Andrew McCreight at 2:08 pm, Dec 14, 2023

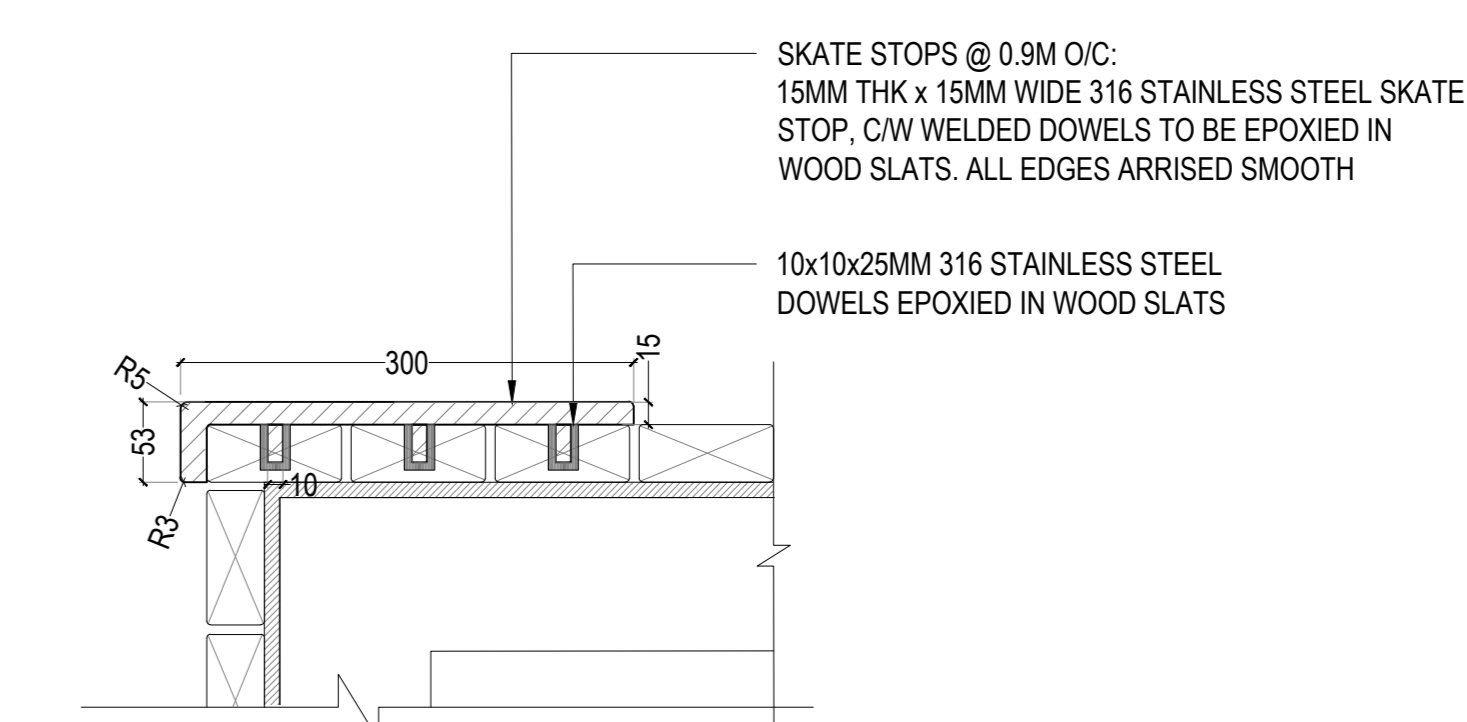
04 SEATING WALL AT SIDEWALK
SCALE: 1:20



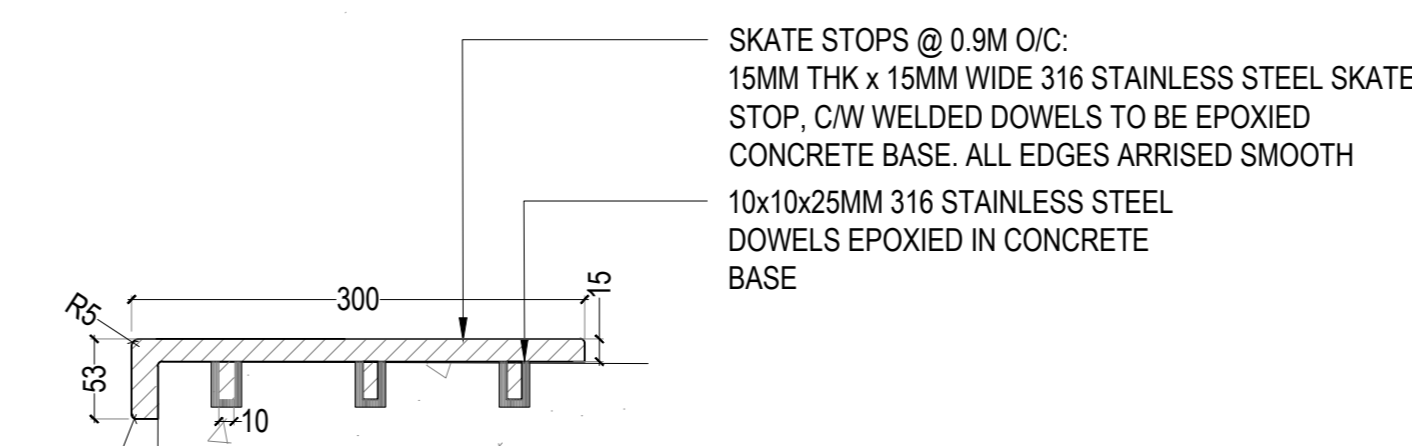
06 SEATING WALL AT 'BOSQUE' PARKETTE
SCALE: 1:20



ON STONE WALL CLADDING



ON WOODTOP SEATING



ON CONCRETE SEATING

07 SKATE DETERRENT DETAIL
SCALE: 1:5

NO.	REVISION	DATE
1	ISSUED FOR SITE PLAN CONTROL	2023-03-24
2	REVISION FOR PUBLIC REVIEW	2023-03-24
3	REVISION FOR PUBLIC REVIEW	2023-03-24
4	REVISION FOR PUBLIC REVIEW	2023-03-24

Job Number: _____