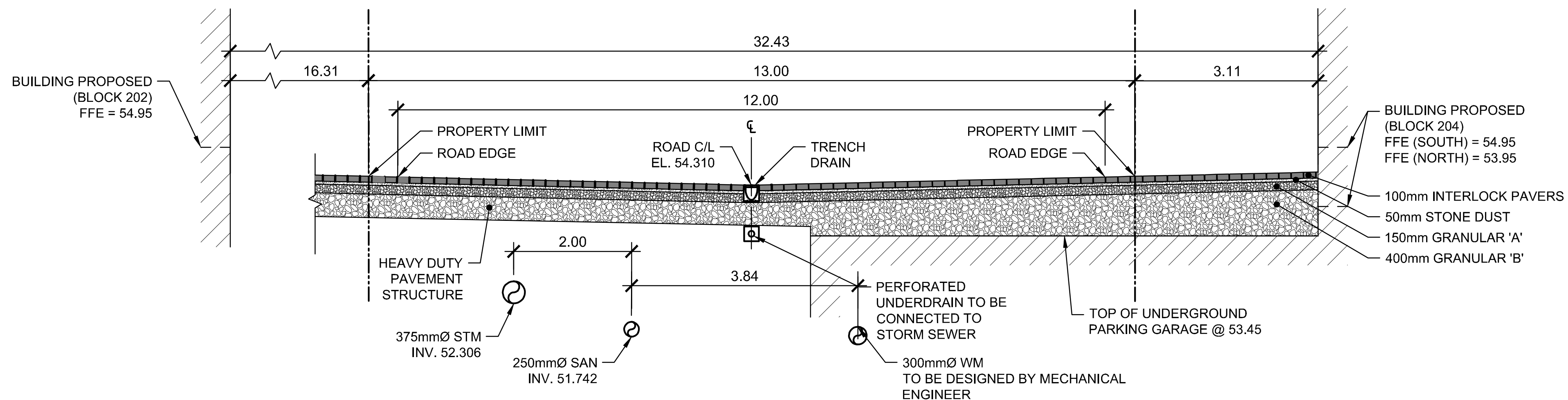
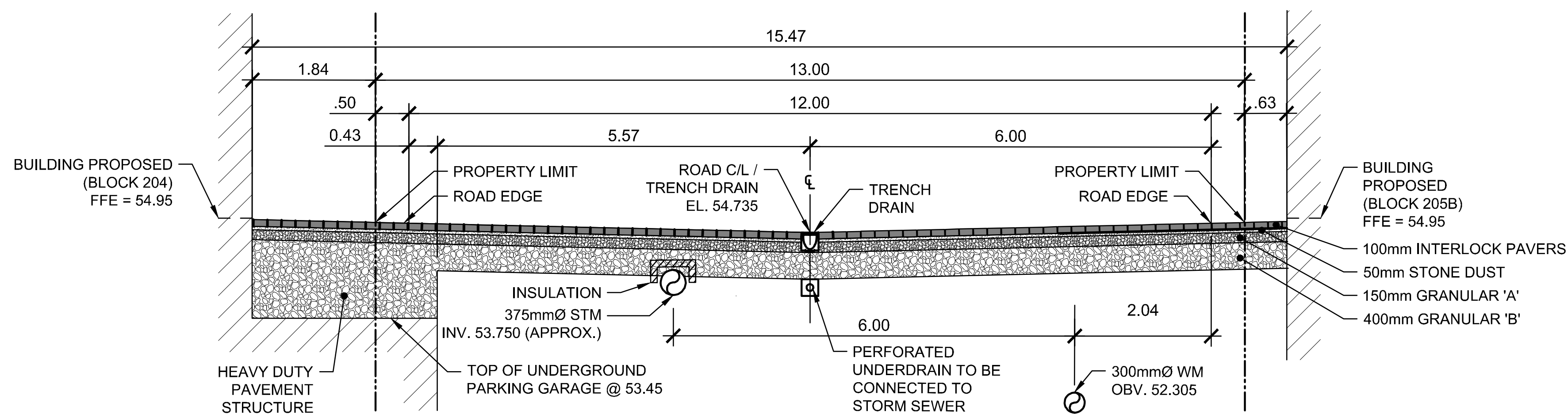


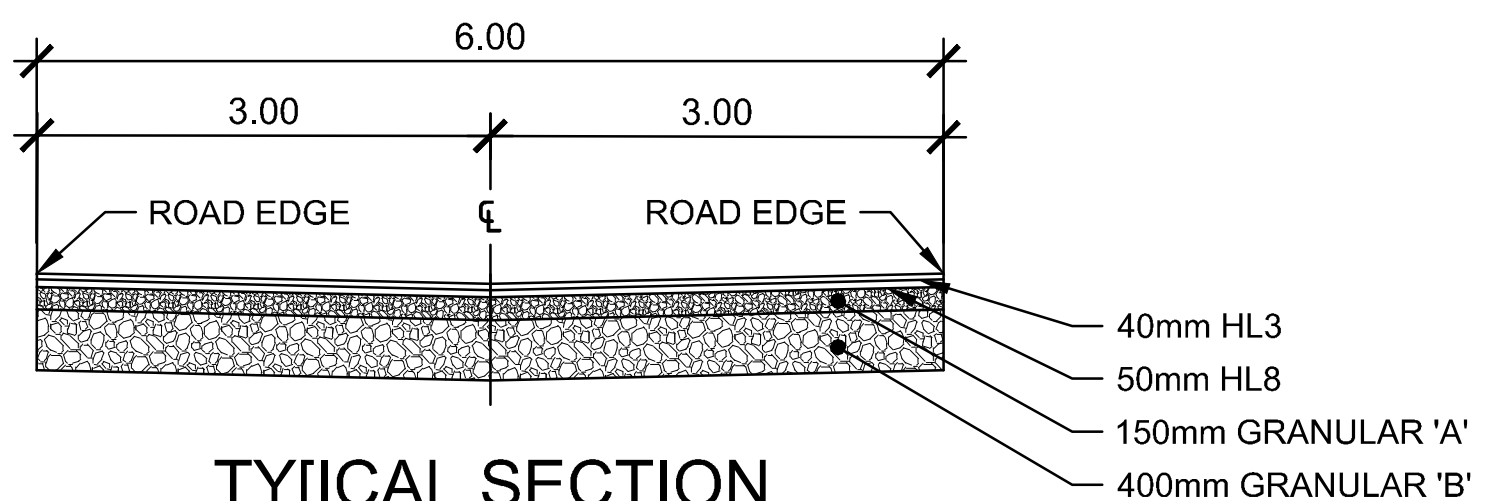
SECTION A-A  
 STA 1+091.31



SECTION B-B  
 STA 1+048.15



SECTION C-C  
 STA 2+056.38



TYPICAL SECTION  
 INTERIM ASPHALT

No.	Date	Description	By
2	AUG. 31, 2022	ISSUED FOR SITE PLAN APPLICATION	A.C.
1	APR. 18, 2022	ISSUED FOR SITE PLAN APPLICATION	A.C.

STAMPS:

ENGINEER:

CLIENT:  
**DREAM UNLIMITED**  
 30 ADELAIDE STREET EAST  
 SUITE 301  
 TORONTO, ON, M5C 3H1

ZIBI (Project Address)  
 310 Mivatte Private  
 OTTAWA, ONTARIO  
 K1R 0E1

PROJECT NAME:  
**ZIBI ONTARIO  
 BLOCK 204  
 315 PRIVE MIWATE PRIVATE,  
 CHAUDIERE ISLAND  
 OTTAWA, ONTARIO**

SHEET TITLE:  
**TYPICAL CROSS SECTIONS**

DISCIPLINE: **CIVIL**

DRAWER: S.C. POGGIOLI	SCALE: 1:50
DESIGNER: J. SAUVE	DATE: 2022/03/14
APPROVER: A. CHAUMONT	APPROVER: A. CHAUMONT
PROJECT NO: A000931	DRAWING NO: <b>C007</b>
SHEET NO: 10 of 11	