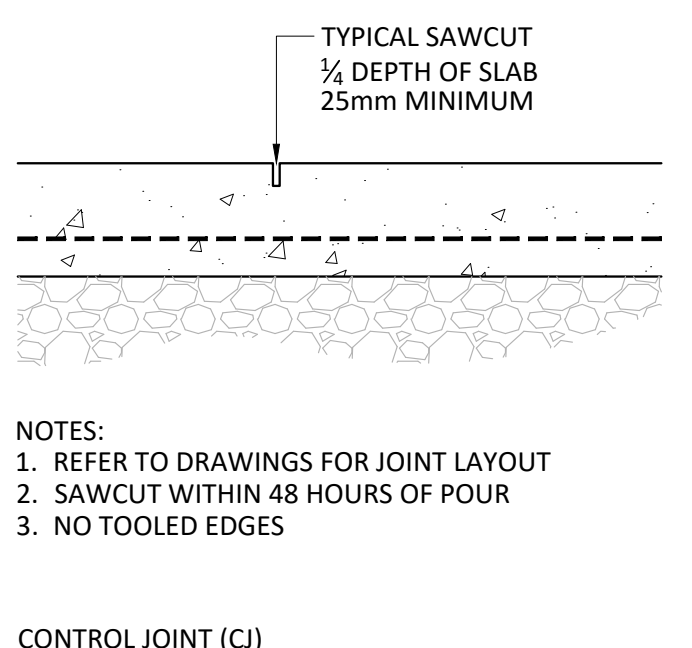
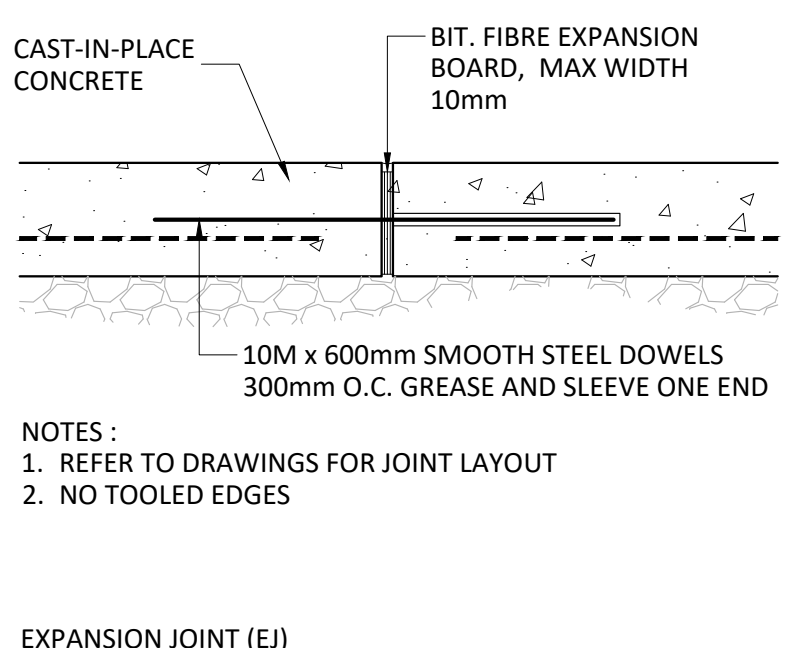


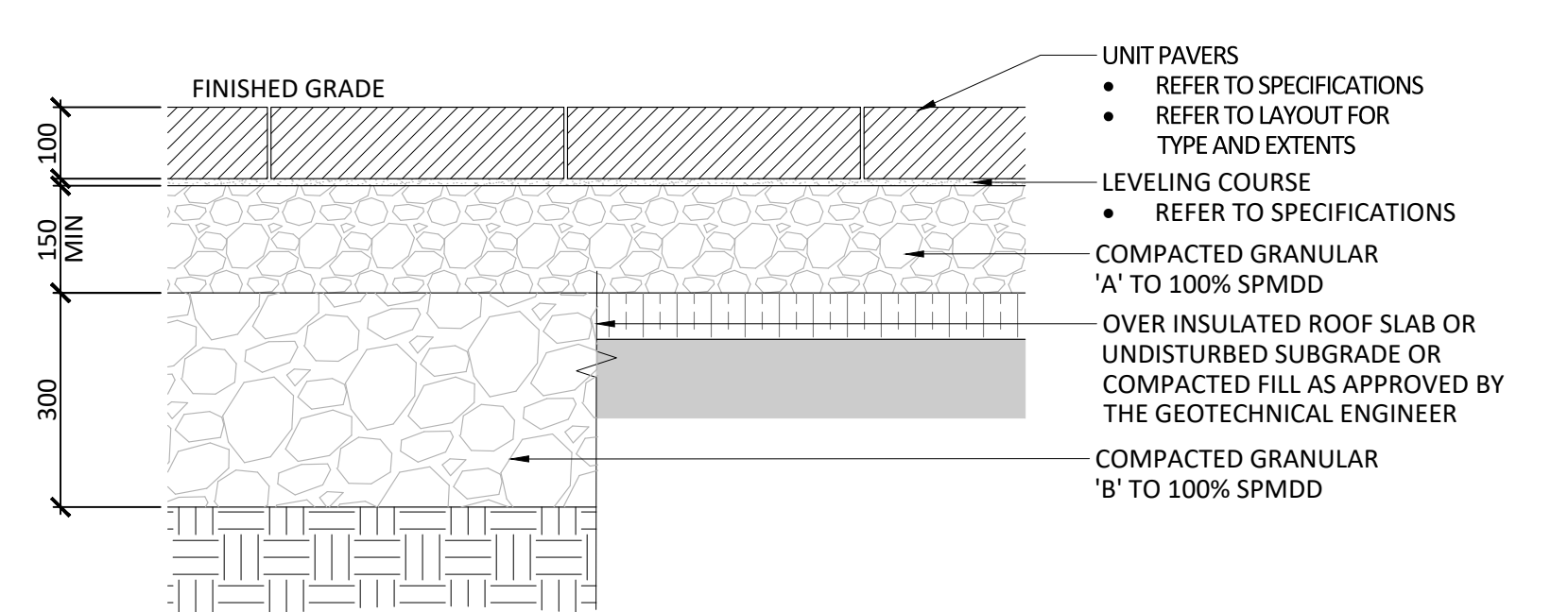
01 CONCRETE PAVING  
Scale 1:10



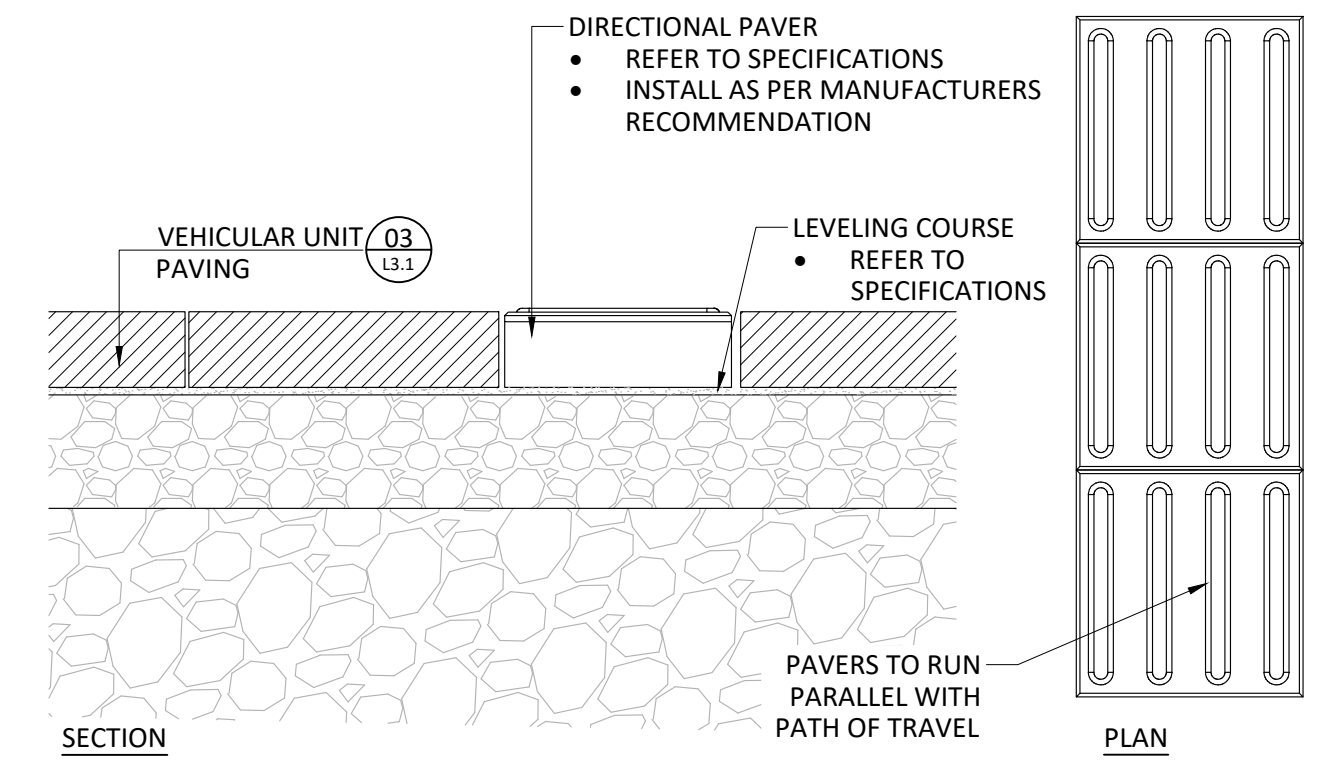
02 CONCRETE JOINTING  
Scale 1:10



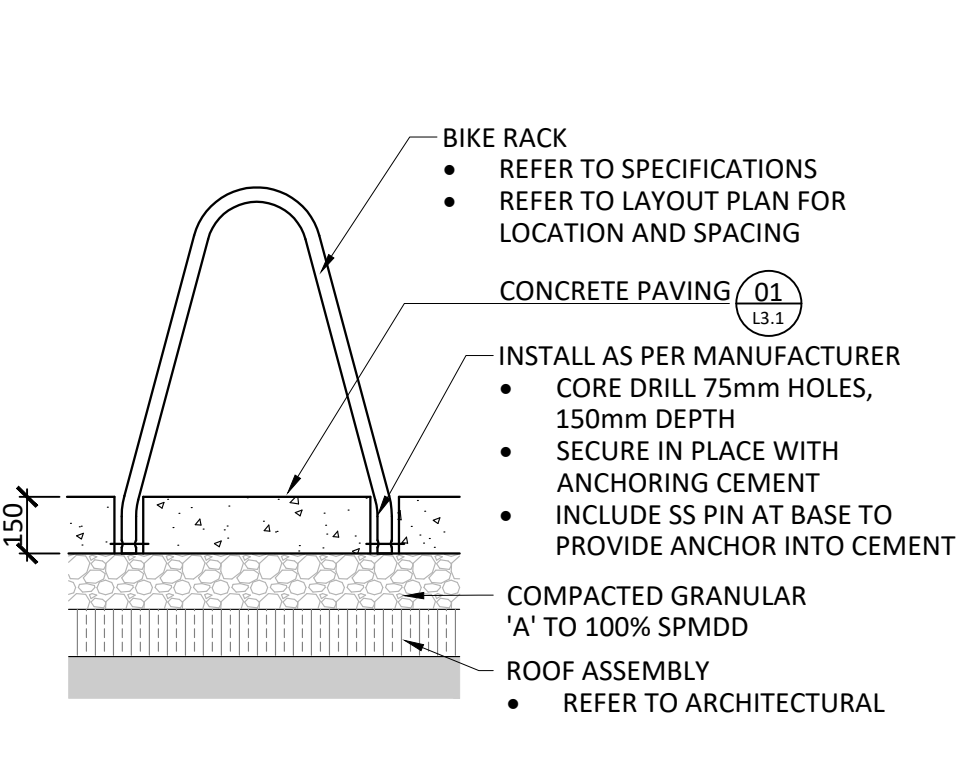
03 VEHICULAR UNIT PAVING  
Scale 1:10



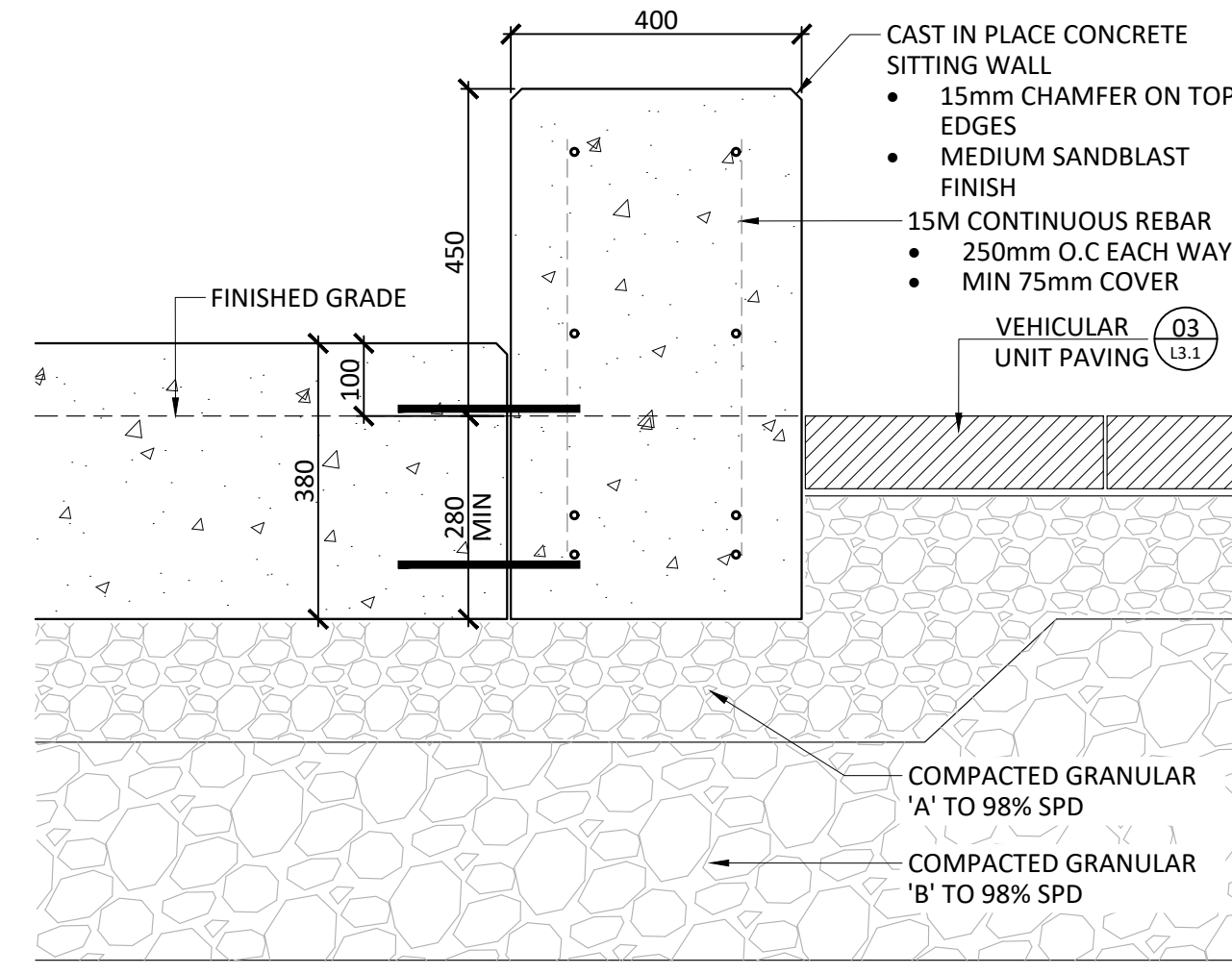
03 VEHICULAR UNIT PAVING  
Scale 1:10



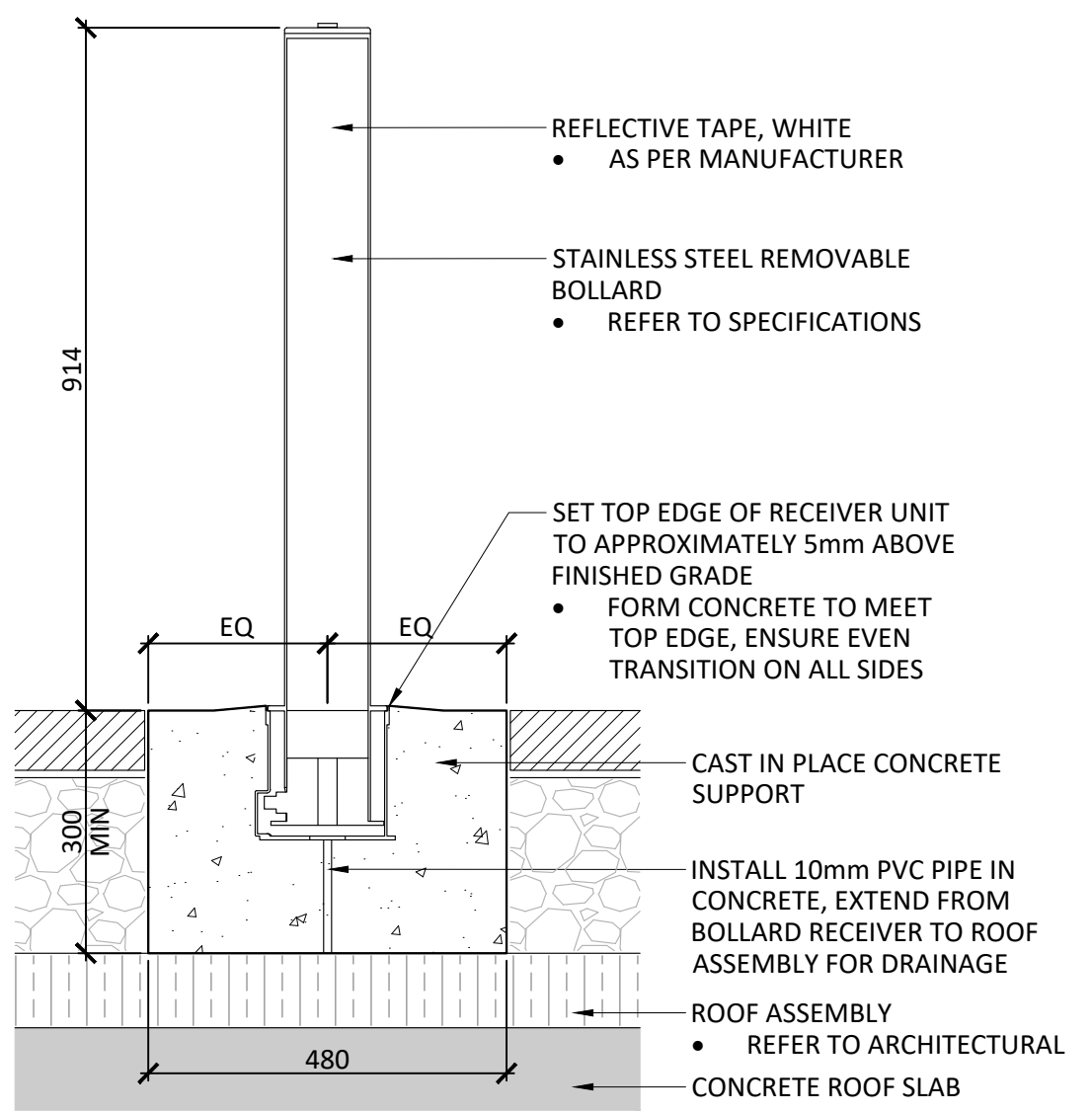
04 DIRECTIONAL PAVING  
Scale 1:10



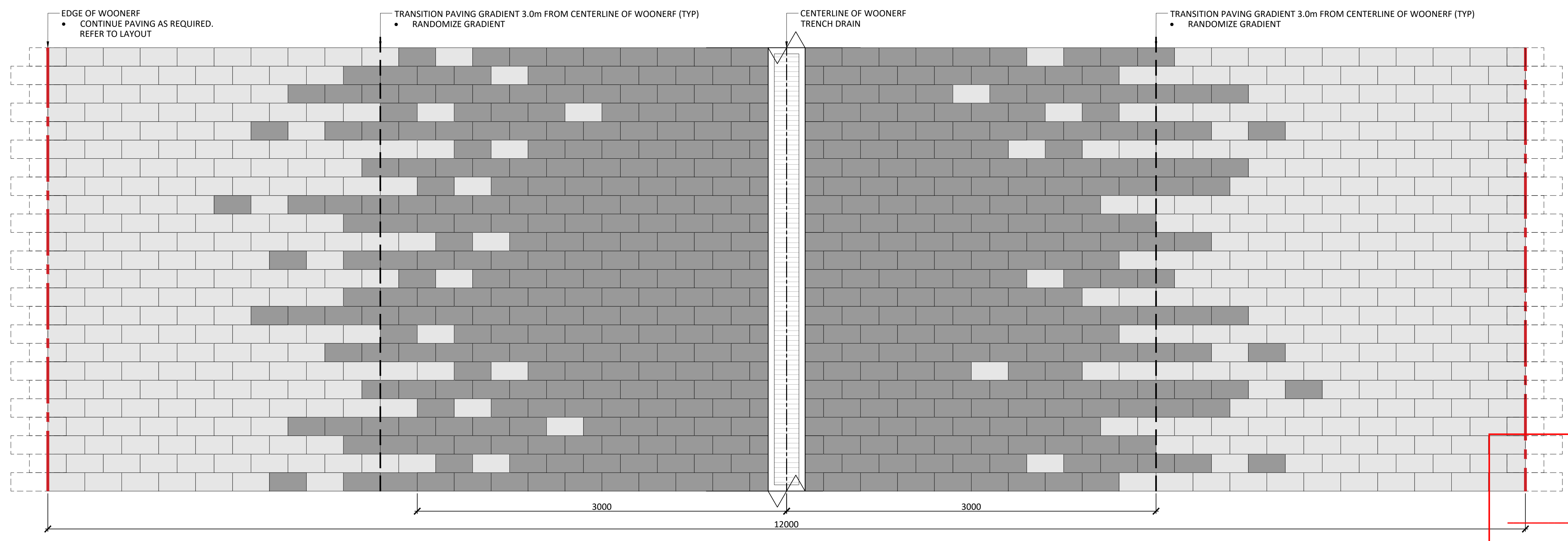
05 BICYCLE PARKING  
Scale 1:20



06 CONCRETE SITTING WALL  
Scale 1:10



07 REMOVABLE BOLLARD  
Scale 1:10



08 WOONERF PAVING PATTERN  
Scale 1:20

- GENERAL NOTES:
- All measurements in millimeters unless specified otherwise. Do not scale drawing. All drawings to be read in conjunction with written specifications.
  - Copyright reserved. This drawing is the exclusive property of CSW Landscape Architects Ltd. and shall not be used without the consent thereof.
  - This Drawing may not be used for construction until signed by the landscape architect. It is the responsibility of the contractor to:
    - check and verify all dimensions on site;
    - report all errors and/or omissions to the landscape architect;
    - comply with all pertinent codes and by-laws;
    - check and verify locations of all underground services with all local utilities prior to any digging.
  - Proposed grades are to be read in conjunction with landscape, architectural, and engineering drawings. Report any discrepancies to the Construction Manager.

No.	Revision	Date
7	RE-ISSUED FOR SPA	21 FEB 2023
6	ISSUED FOR COORDINATION	02 FEB 2023
5	RE-ISSUED FOR SPA	21 DEC 2022
4	RE-ISSUED FOR SPA	15 SEPT 2022
3	ISSUED FOR SPA	19 APR 2022
2	ISSUED FOR COORDINATION	11 APR 2022
1	ISSUED FOR COORDINATION	11 MAR 2022

North: \_\_\_\_\_ Stamp: \_\_\_\_\_

CSW Landscape Architecture  
Urban Design  
Site Planning  
Recreation and Park Planning  
Project Management

319 McRae Avenue, Suite 502, Ottawa, Ontario, K1Z 0B9  
Tel: (613) 729-4536

Project: ZIBI BLOCK 204  
Chaudière Island West  
OTTAWA, ONTARIO

Drawing: LANDSCAPE DETAILS

Scale: AS NOTED	Date: March 2022
Design By: LM	Drawn By: SW
Project Number: 1981-20	Sheet Number: L3.1

*Andrew McCreight*  
ANDREW MCCREIGHT  
MANAGER (A), DEVELOPMENT REVIEW CENTRAL  
PLANNING, REAL ESTATE & ECONOMIC DEVELOPMENT  
DEPARTMENT, CITY OF OTTAWA

APPROVED  
By Andrew McCreight at 9:30 am, May 23, 2023

Label SBWB: 2023-02-21 11:17:46 AM File Location: Z:\Projects\1981-20\_ZIBI Infrastructure Central\Chaudiere West\Drawings\SPA\04\1981-20\_ZIBI Chaudiere West\_Woonerf\_SPA04\Details.dwg

D07-12-22-0071