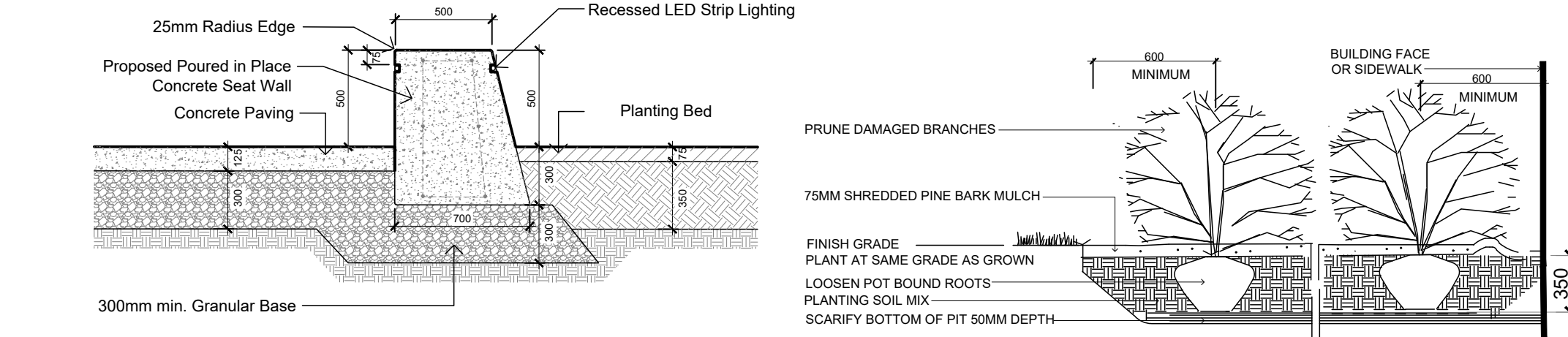
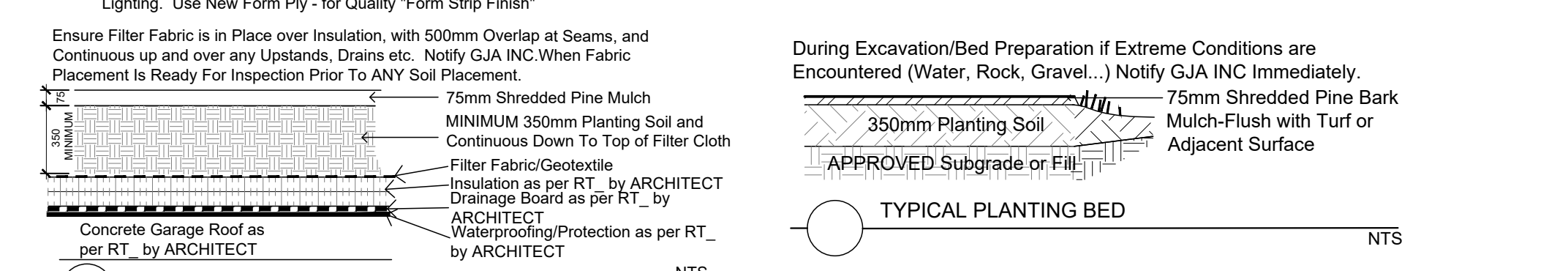


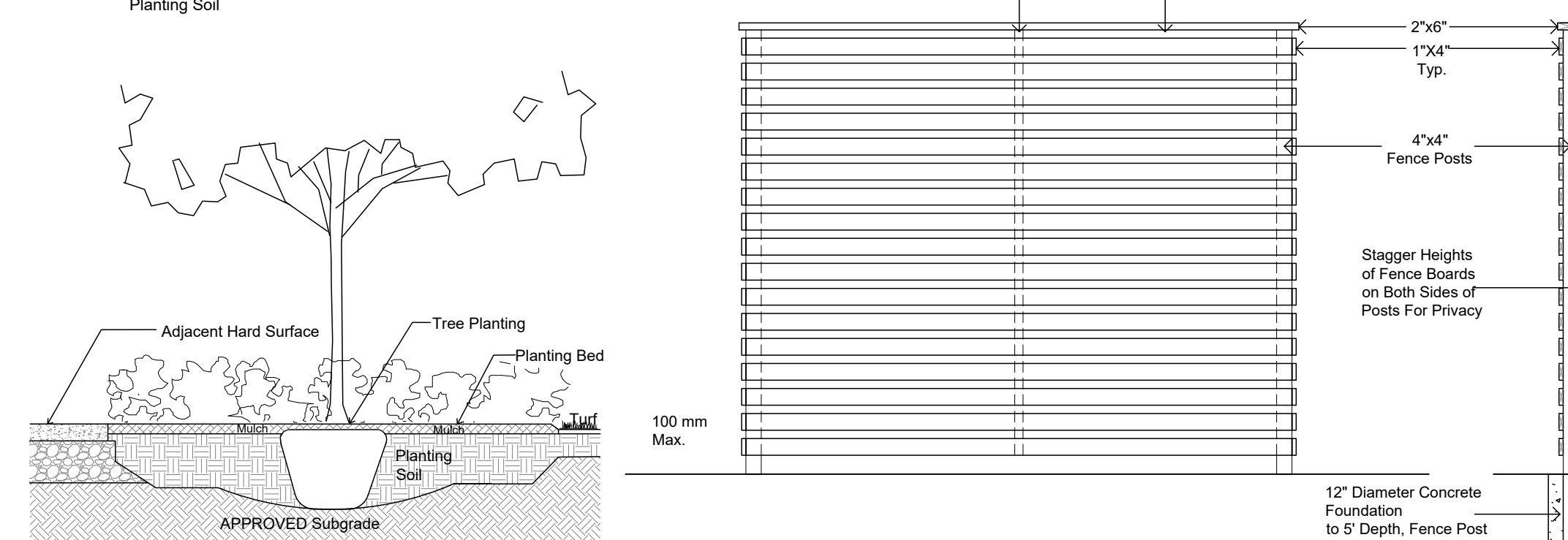
CONCRETE PAVING/MONOLITHIC CURB  
Refer to Grading Plan for Grading



TYPICAL CONCRETE SEAT WALL AND PLANTING BED  
Concrete Seat Wall Supply Shop Drawings for Concrete Reinforcing & Recessed Strip Lighting. Use New Form Ply - for Quality "Form Strip Finish"

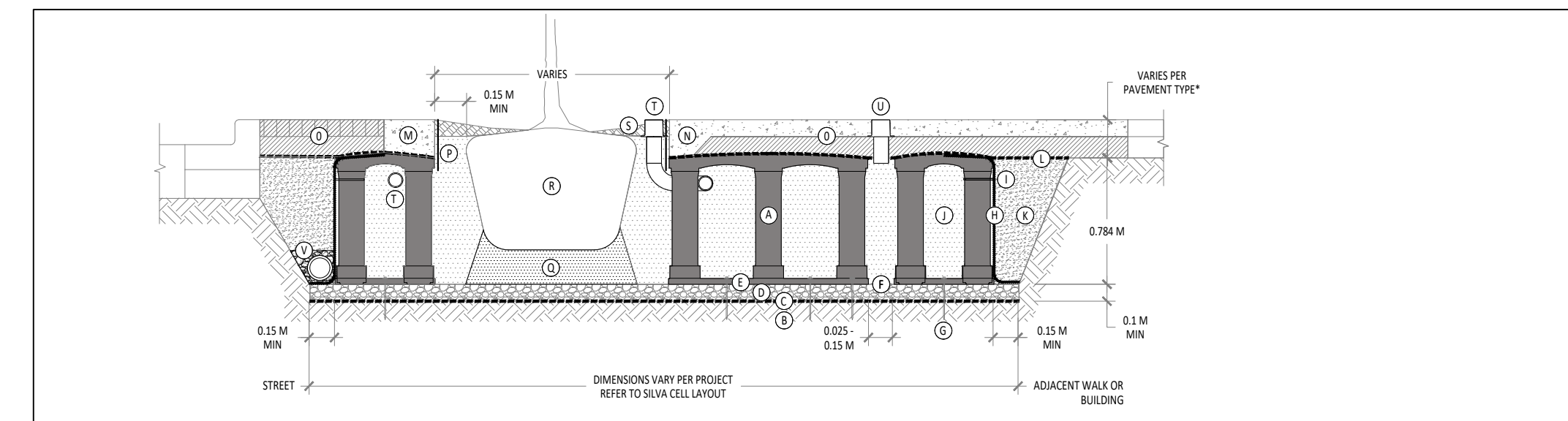


PLANTING ON INSULATED GARAGE ROOF  
Drainage Board Must Be Provided/Installed Above Waterproofing & Below Insulation If/Where Soil Depths Exceed 350mm - use Commercial Screened Topsoil BELOW Planting Soil



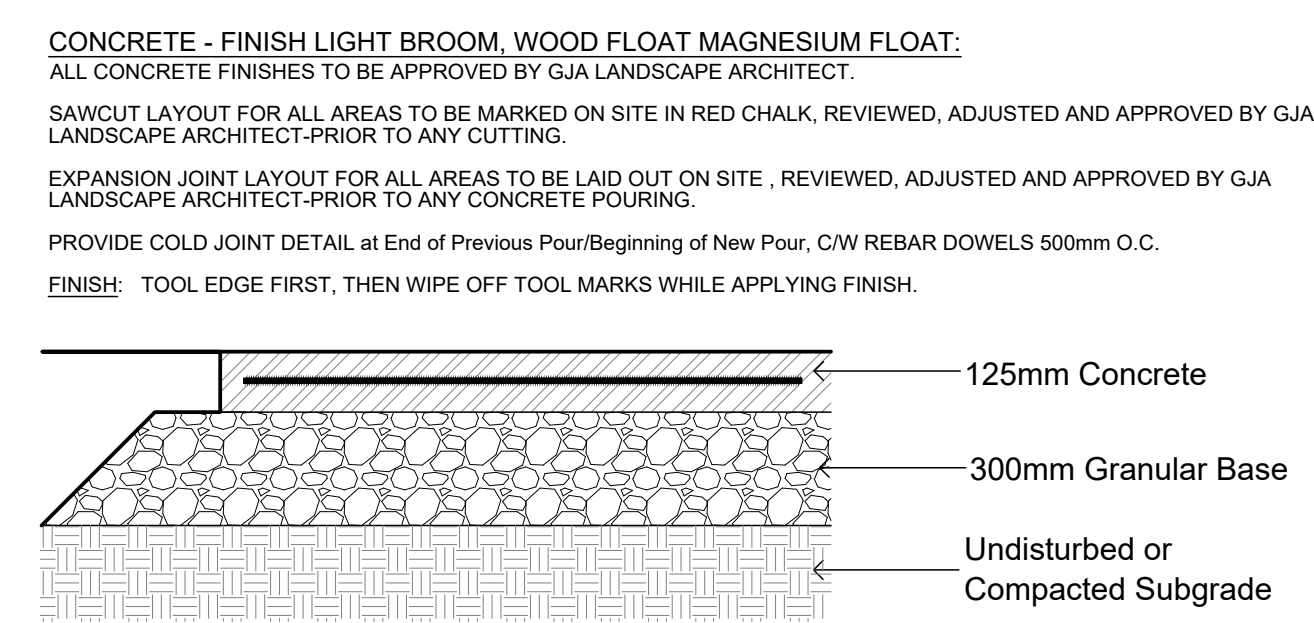
TREE PLANTING IN PLANTING BED  
SOLID WOOD FENCE 2.13m / 7' Ht. All Wood To Be Western Red Cedar

Code	Qty.	Botanical Name	Common Name	Size	Condition
AC	5	Amelanchier canadensis	Serviceberry	1.5m Ht.	B + B specimen
AR	1	Acer rubrum	Red Maple	70mm cal	B + B specimen
AS	1	Acer saccharum	Sugar Maple	70mm cal	B + B specimen
CA	5	Cornus alternifolia	Pagoda Dogwood	1.5m Ht.	B + B specimen
CO	1	Celtis occidentalis	Common Hackberry	70mm cal	B + B specimen
GB	3	Ginkgo biloba	Maidenhair Tree	70mm cal	B + B specimen
GD	1	Gymnocladus dioica	Kentucky Coffee Tree	70mm cal	B + B specimen
QM	1	Quercus macrocarpa	Bur Oak	70mm cal	B + B specimen
QR	1	Quercus rubra	Red Oak	70mm cal	B + B specimen
VL	5	Viburnum lentago	Nannyberry	1.5m Ht.	B + B specimen
HK	200	Hypericum kalmianum	St. John's Wort	30cm Ht.	Pot
SA	50	Symphoricarpos albus	Snowberry	60cm Ht.	Pot
SA	50	Spiraea alba	Meadowsweet	50cm Ht.	Pot
AU	75	Arctostaphylos uva ursi	Bearberry	10cm Pot	
PM	50	Pinus mugo var Pumilio	Dwarf Mugo Pine	30cm spr Pot	
IV	25	Juniperus virginiana	Eastern Red Cedar	1.25m Ht. Pot	Proposed on Adjacent Residential Property
GM	75	Geranium macrocarpum	Biggest Geranium	9cm Pot	Additional Material Not Located on Plan - Distribution on Site at Discretion of GJA Inc.
GP	75	Geranium psilostemon 'Gerwat'	Rozanne Geranium	9cm Pot	
PQ	15	Parthenocissus quinquefolia	Virginia Creeper	15cm Pot	
PV	35	Panicum virgatum	Switch Grass	15cm Pot	

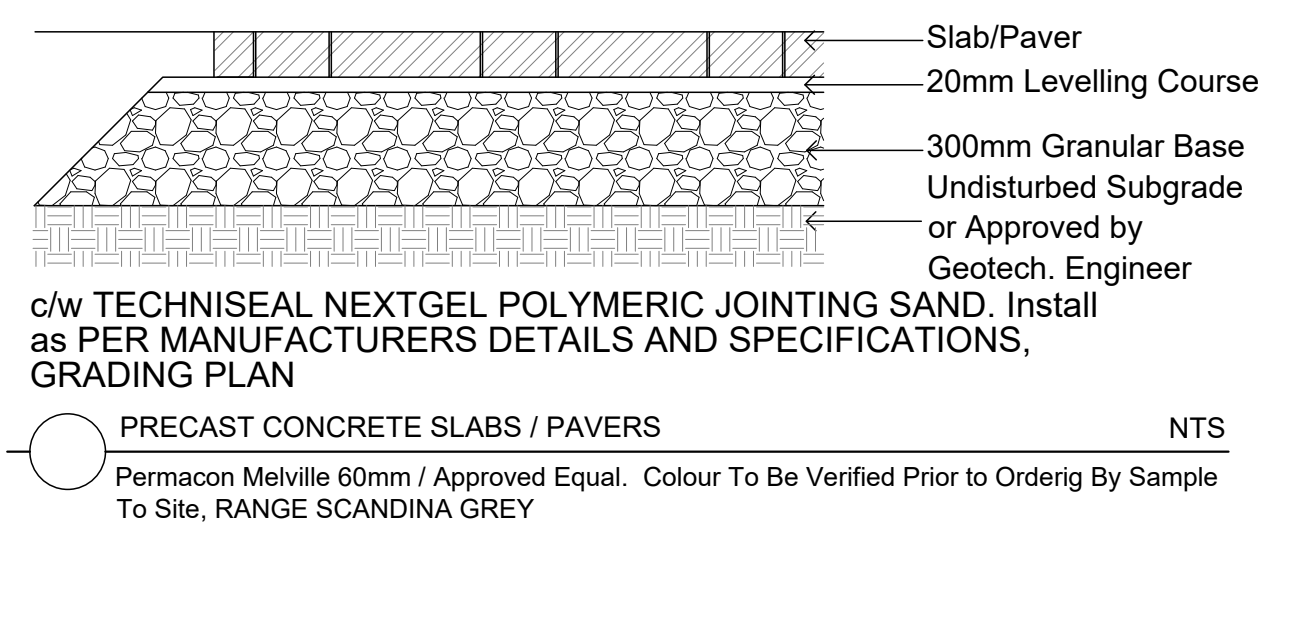


SILVA CELL SYSTEM 2X  
KEY PLAN  
1 PLANTING SOIL PER PROJECT SPECIFICATIONS  
2 GEOTEXTILE FABRIC PLACED ABOVE SUBGRADE  
3 100 MM MIN AGGREGATE SUB BASE COMPACTED TO 95% PROCTOR  
4 SILVA CELL BASE SLOPE 20% MAX  
5 25 TO 50 MM SPACING BETWEEN SILVA CELLS AT BASE  
6 ANCHORING SPIKES - CONTACT DEEPROOF FOR ALTERNATIVE  
7 GEOTEXTILE WRAPPED AROUND PERIMETER OF SYSTEM WITH 500 MM TIE (OUTWARD FROM BASE AND 300 MM IN PRESSURE TOP OF DECK)  
8 CABLE TIE ATTACHING GEOTEXTILE TO SILVA CELL AT BASE OF UPPER LEG FLARE, AS NEEDED  
9 DEEPROOF ROOT BARRIER, 300 OR 450 MM DEPTH DETERMINED BY THICKNESS OF PAVEMENT SECTION, INSTALL DIRECTLY ADJACENT TO CONCRETE EDGE RESTRAINT  
10 PLANTING SOIL BELOW ROOT BALL, COMPACTED WELL  
11 ROOT BALL  
12 TREE OPENING TREATMENT PER PROJECT SPECIFICATIONS  
13 DEEPROOF WATER AND AIR VENT HORIZONTAL  
14 DEEPROOF WATER AND AIR VENT  
15 UNDERDRAIN SYSTEM WHEN REQUIRED (LOCATION AND DETAILS BY OTHERS)  
NOTES  
1 EXCAVATION SHALL BE DONE IN ACCORDANCE WITH ALL APPLICABLE HEALTH AND SAFETY REGULATIONS  
2 INSTALLATION TO BE COMPLETED IN ACCORDANCE WITH MANUFACTURERS SPECIFICATIONS  
3 PROVIDE SUPPLEMENTAL IRRIGATION (DO NOT SCALE DRAWING)

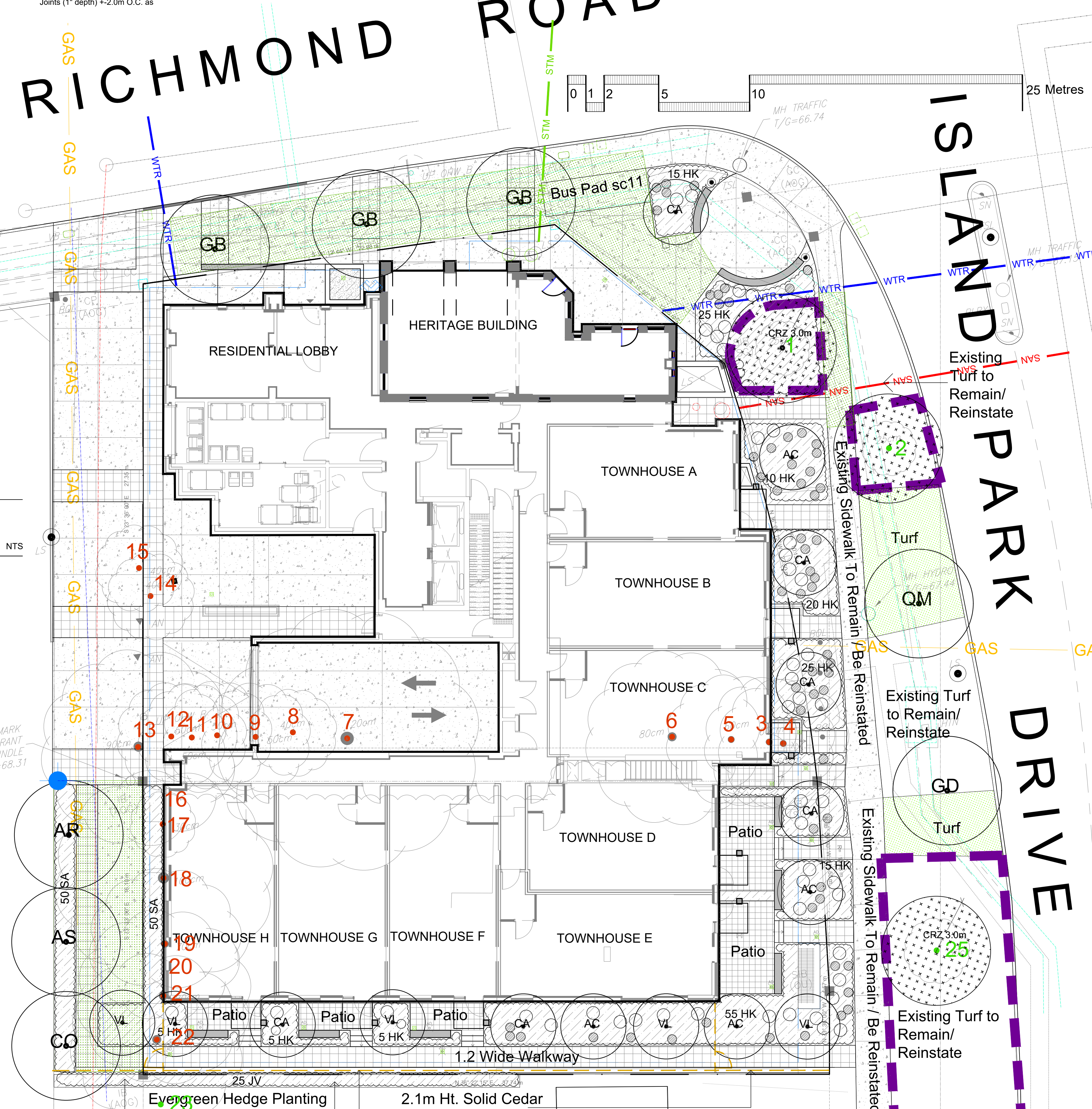
Detail Design To Be Coordinated/Developed With City of Ottawa Forester



CONCRETE PAVING  
32mpa, 6% Air Entrainment 6x6 Wire Mesh, Fibre Exp. Joints at All Hard Edges, Sawcut Control Joints (1" depth) +/-2.0m O.C. as



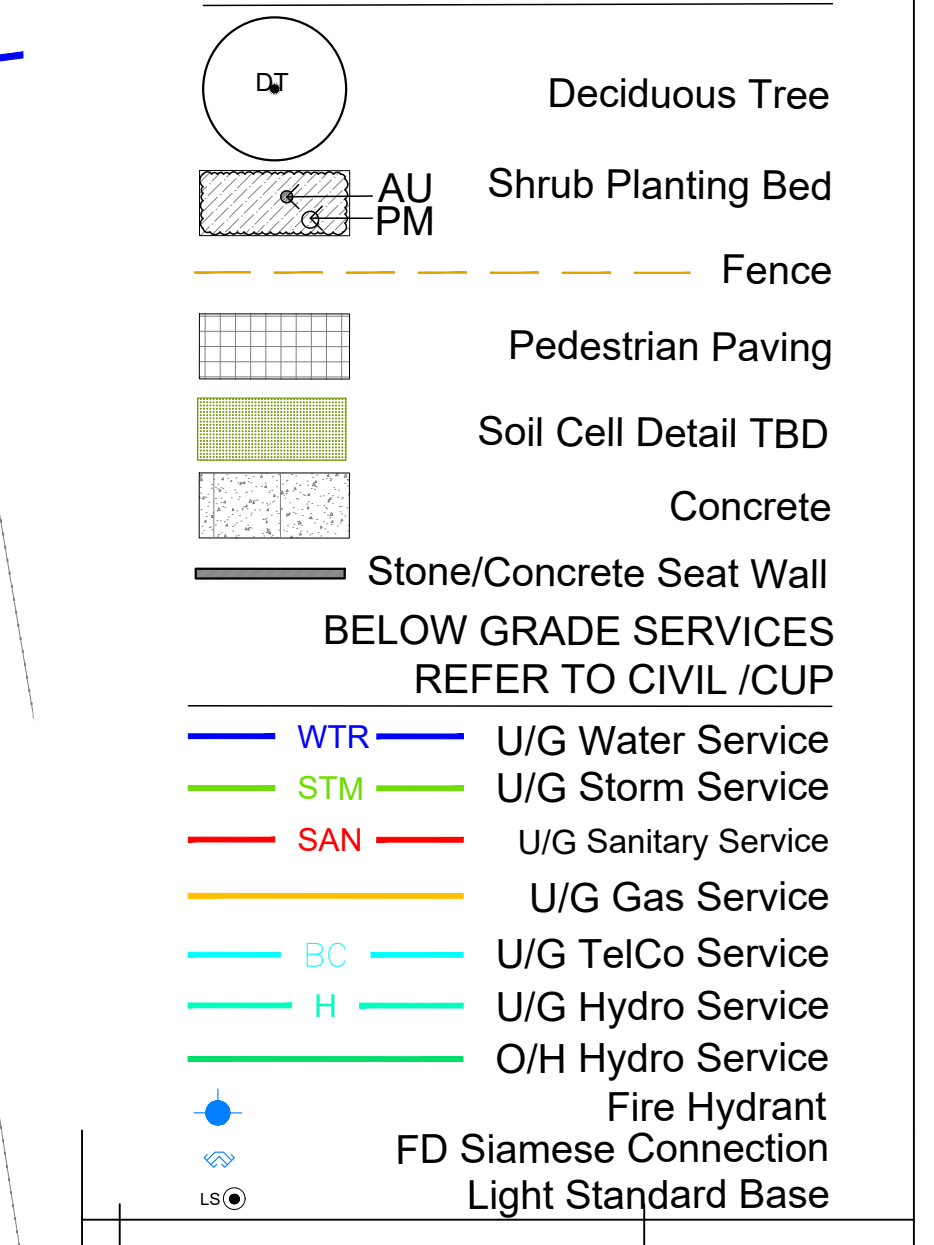
CONCRETE PAVING  
32mpa, 6% Air Entrainment 6x6 Wire Mesh, Fibre Exp. Joints at All Hard Edges, Sawcut Control Joints (1" depth) +/-2.0m O.C. as



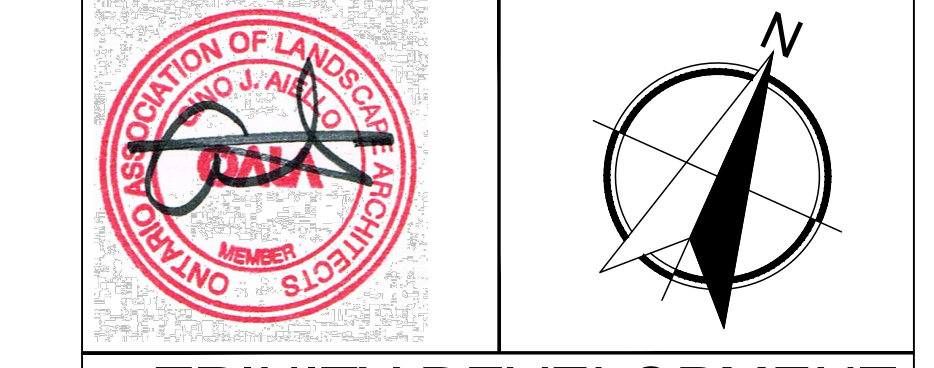
Drawing Remains the Property of Copyright Reserved by GJA INC. Do Not Use or Reproduce Without Approval of GJA INC. NOT To Be Used For Construction Unless Indicated by Revision: "FOR LANDSCAPE CONSTRUCTION". Contractor is Responsible for Verification of Site Locations of all Utilities. Report any Discrepancies Between Site and Drawing Immediately to GJA INC. Do NOT Proceed Until Clarified.

TURF AREAS TO BE SOD C/W 150MM DEPTH TOPSOIL ON APPROVED SUBGRADE | SOD TO BE #1 GRADE TURFGRASS NURSERY SOD per NSGA - Fine Fescue/Kentucky Bluegrass Sod | PLANTING MIX TO BE APPROVED BY LANDSCAPE ARCHITECT | PLANT MATERIAL TO MEET CNLA STANDARDS/BE APPROVED BY LANDSCAPE ARCHITECT PRIOR TO PLANTING | ALL MATERIALS & WORK TO BE MAINTAINED UNTIL FINAL ACCEPTANCE. (MOWING TURF, WEEDING BEDS, WATERING TURF & PLANTS) & INCLUDE 1 YEAR WARRANTY FROM DATE OF FINAL ACCEPTANCE | PROVIDE WATERING OF ALL PLANT MATERIAL AS REQUIRED FOR PROPER ESTABLISHMENT UNTIL END OF WARRANTY PERIOD | REFER TO CIVIL ENGINEER'S DRAWING FOR ELEVATIONS / GRADING | The Landscape Plan is to be read in conjunction with the grading, servicing, site and survey plan | Bare root material to be planted in season only | All plant material locations to be staked on site by the landscape contractor and checked by the landscape architect prior to planting | All trees to be preserved on or directly adjacent to the site will be protected | Plant material are to be installed a minimum of; 3.0m away from any part of any hydro transformer, 3.0m corridor between a fire hydrant and the curb, a 2.5m radius beside or behind a fire hydrant, 2.0m from any servicing/utility line or structure |

REFER TO TCR  
Existing Tree to Remain  
Protection for Existing Trees per City/NCC  
Existing Tree To Be Removed  
PROPOSED LANDSCAPE



#	Revision	Date
5	SITE PLAN CONTROL SUBMISSION 3	APRIL 15 2023
4	50% DD	APRIL 05 2023
3	SITE PLAN CONTROL SUBMISSION 3	DRAFT
2	SITE PLAN CONTROL SUBMISSION 2	NOVEMBER 18 2022
1	SITE PLAN CONTROL SUBMISSION 1	MAY 13 2022
0	REVIEW/COORDINATION	APRIL 2022



TRINITY DEVELOPMENT GROUP  
77 Bloor Street West 1601 Toronto M5S 1M2

Gino J. Aiello | landscape architect  
GJA Inc.  
Gino@GJALA.com  
GJALA.com  
110 Dabury Road Unit #9 | Ottawa Ontario | K2T 0C2

MIXED USE DEVELOPMENT  
70 RICHMOND ROAD @ ISLAND PARK DRIVE

Landscape Plan  
Scale: 1:125  
City of Ottawa  
Dwg - 18851

Sheet Number  
L1  
D07-12-22-0082