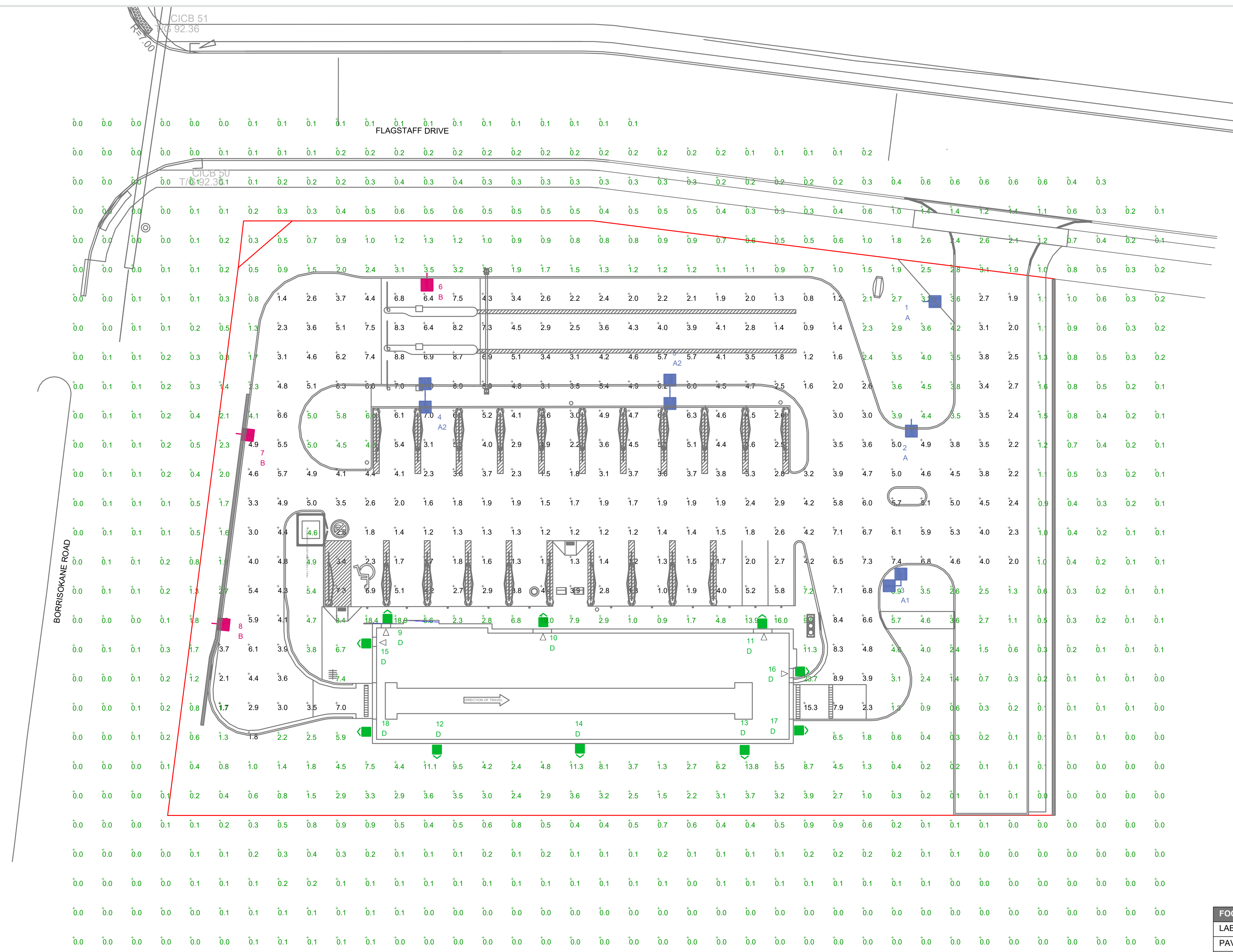


NOTE:
- POLE MOUNTED FIXTURES ARE MOUNTED ON A 20FT POLE ATOP A CONCRETE BASE.



LUMINAIRE LOCATION SUMMARY		
LUM NO.	LABEL	MTG. HT.
1	A	23
2	A	23
3	A1	23
4	A2	23
5	A2	23
6	B	23
7	B	23
8	B	23
9	D	9
10	D	9
11	D	9
12	D	9
13	D	9
14	D	9
15	D	9
16	D	9
17	D	9
18	D	9

FOOTCANDLE LEVELS CALCULATED AT GRADE USING INITIAL LUMEN VALUES					
LABEL	AVG	MAX	MIN	AVG/MIN	MAX/MIN
PAVED AREA	3.82	12.7	0.8	4.78	15.88
UNDEFINED AREA	1.03	19.5	0.0	N.A.	N.A.

LUMINAIRE SCHEDULE											
SYMBOL	QTY	LABEL	ARRANGEMENT	LUMENS	LLF	BUG RATING	WATTS/LUMINAIRE	TOTAL WATTS	MANUFACTURE	CATALOG LOGIC	
	2	A	SINGLE	13374	1.000	B3-U0-G2	85	170	Cree Inc	OSQ-ML-B-DA + OSQM-B-16L-40K7-3M-UL-NM-XX-Q9	
	1	A1	2 @ 90 DEG	13374	1.000	B3-U0-G2	85	170	Cree Inc	OSQ-ML-B-DA + OSQM-B-16L-40K7-3M-UL-NM-XX-Q9	
	2	A2	BACK-BACK	13374	1.000	B3-U0-G2	85	340	Cree Inc	OSQ-ML-B-DA + OSQM-B-16L-40K7-3M-UL-NM-XX-Q9	
	3	B	SINGLE	12699	1.000	B2-U0-G2	104	312	Cree Inc	OSQ-ML-B-DA + OSQM-B-16L-40K7-3M-UL-NM-XX-Q9 + OSQ-BLSMF	
	10	D	SINGLE	6094	1.000	B1-U0-G2	46.95	469.5	Cree Inc	XSPW-B-WM-3ME-6L-40K-UL-XX	

DISCLAIMER

ANY SITE PLAN(S), FLOOR PLAN(S), RENDERING(S), LIGHTING LAYOUT(S) AND PHOTOMETRIC PLAN(S) INCLUDING BUT NOT LIMITED TO ANY PROJECT(S) CREATED/PRODUCED BY RED LEONARD ASSOCIATES INC., ARE ONLY INTENDED FOR ILLUSTRATION AND QUOTING PURPOSES ONLY. RED LEONARD ASSOCIATES HAS THE RIGHT TO USE THIRD PARTY LASERS, SCANNERS, AND CAMERAS BUT ACTUAL PROJECT CONDITIONS, DIMENSIONS, AND ACCURACY OF MEASUREMENTS MAY DIFFER FROM THESE OR ANY PARAMETERS. RED LEONARD ASSOCIATES INC. ASSUMES NO LIABILITY FOR WHAT IS CREATED/PRODUCED IN THESE RECORDATIONS. THIS INCLUDES BUT IS NOT LIMITED TO THE USE OF, INSTALLATION OF AND/OR INTEGRITY OF EXISTING BUILDINGS(S), SURROUNDING AREA FOR PROJECT(S) SUCH AS EXISTING POLES(S), ANCHOR BOLTS(S), BASE(S), ARCHITECTURAL AND SIGNAGE STRUCTURE(S), LANDSCAPING PLAN(S), LIGHTING PLAN(S), FIXTURE SELECTION(S) AND PLACEMENT, MATERIAL(S), COLOR ACCURACY, TEXTURE(S), AND ANYTHING ATTRIBUTED TO PHOTO REALISM THAT IS CREATED. FURTHERMORE, RED LEONARD ASSOCIATES INC. DOES NOT ASSUME LIABILITY WHATSOEVER FOR ANY PURCHASES MADE BY CLIENT BEFORE, DURING, OR AT THE CONCLUSION OF THE PUBLISHED WORK. THE CUSTOMER, ITS RELATIVE AFFILIATES, AS WELL AS ANY OTHER PERSON(S) IN VIEWING OF THIS PRODUCT IS RESPONSIBLE FOR VERIFYING COMPLIANCE WITH ANY BUT NOT LIMITED TO ALL CODES, PERMITS, RESTRICTIONS, INSTRUCTIONS, PURCHASES, AND INSTALLATIONS OF OBJECTS VIEWED WITHIN THIS DOCUMENT(S) OR PROJECT(S). SYMBOLS ARE NOT DRAWN TO SCALE. SIZE IS FOR CLARITY PURPOSES ONLY. SIZES AND DIMENSIONS ARE APPROXIMATE. ACTUAL MEASUREMENTS MAY VARY. DRAWINGS ARE NOT INTENDED FOR ENGINEERING OR CONSTRUCTION USE. THIS DOCUMENT, ANY RED LEONARD DRAWING(S), OR PROJECT(S) IS NOT TO BE USED AND/OR INTENDED FOR ENGINEERING OR CONSTRUCTION PURPOSES, BUT FOR ILLUSTRATIVE PURPOSES ONLY. ANY LOCATIONS OF EMERGENCY LIGHTING SHOWN WERE PROVIDED BY OTHERS. RED LEONARD ASSOCIATES IS NOT RESPONSIBLE FOR INSUFFICIENT LIGHTING DURING AN EMERGENCY EVENT. ANY USE OF THIS DOCUMENTATION AND/OR OTHER ARTICLES PRODUCED BY RED LEONARD WITHOUT WRITTEN AUTHORIZATION FROM JAVINE J. LEONARD IS STRICTLY PROHIBITED.

REV.	BY	DATE	DESCRIPTION
R1	TAS	4/20/22	ADDED 2 TYPE "D" FIXTURES
R2	TAS	9/8/22	UPDATED SITE PLAN
R3	TAS	11/15/22	UPDATED SITE PLAN

QTY	LABEL	DESCRIPTION
2	A	OSQ-ML-B-DA + OSQM-B-16L-40K7-3M-UL-NM-XX-Q9
1	A1	OSQ-ML-B-DA + OSQM-B-16L-40K7-3M-UL-NM-XX-Q9
1	A2	OSQ-ML-B-DA + OSQM-B-16L-40K7-3M-UL-NM-XX-Q9
3	B	OSQ-ML-B-DA + OSQM-B-16L-40K7-3M-UL-NM-XX-Q9 + OSQ-BLSMF

ADDITIONAL FIXTURE INFO

OSQ Series

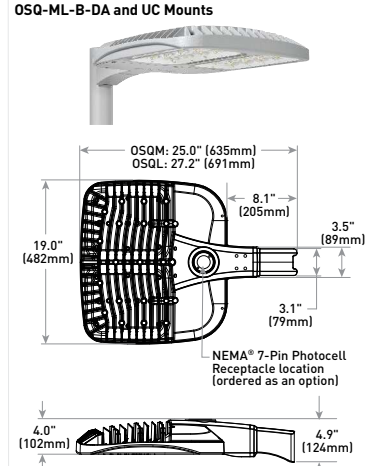
OSQ™ LED Area/Flood Luminaire featuring Cree TrueWhite™ Technology - Medium & Large

Rev. Date: 10/18/2021

Product Description
The OSQ™ Area/Flood luminaire boasts extreme optical control, advanced thermal management and modern, clean aesthetics. Built to last, the housing is forged cast aluminum with an integrated, weatherlight LED driver compartment. Versatile mounting configurations offer simple installation to slim, low profile design minimize wind load requirements and maximize aesthetics on the site providing even, quality illumination. The 4L luminaire package is a suitable upgrade for HID applications up to 250 Watt, and the 1L luminaire package is a suitable upgrade for HID applications up to 100 Watt, and the 3M luminaire package is a suitable upgrade for HID applications up to 1000 Watts.

Applications: Parking lots, walkways, campuses, car dealerships, office complexes, tunnels, universities, and general roadway.

Performance Summary
Utilizes Cree TrueWhite™ Technology on 3000K Luminaires
NanoOptic™ Precision Delivery Grid™ optic
Assembled in the U.S.A. of U.S. and imported parts
Initial Delivered Lumens: 4,000 - 30,000
Efficacy: Up to 173 LPW
CRI: Minimum 70 CRI (300K, 4000K & 5700K); 90 CRI (3000K)
CCT: 3000K, 4000K, 5000K, 5700K
Limited Warranty: 10 years on luminaire; 10 years on Colorfast DeltaGuard™ finish; up to 5 years for Sympalg™ accessories; 1 year on luminaire accessories



Ordering Information
All OSQ Series luminaires are composed of two components that must be ordered separately: Luminaire and Mount.

Mount Luminaire must be ordered separately!

Mount	Color	Options	Weight
OSM4	28.4 lbs. (13 kg)	OSD, OSU, OSV, OSW, OSX	
OSM6	33.4 lbs. (15 kg)	OSD, OSU, OSV, OSW, OSX	

Ordering Information

OSQ-ML-B-AA Adjustable Arm
OSQ-ML-B-TSP Translucent Case Mount (scales down, do not specify color)
OSQ-ML-B-TM Translucent Mount (scales down, do not specify color)

Luminaire (Mount must be ordered separately)

QTY	L	M	3M	4L	Color	Options	Notes
OSQ							
CS#	CS#	CS#	CS#	CS#	CS#	CS#	CS#

QTY	LABEL	DESCRIPTION
10	D	XSPW-B-WM-3ME-6L-40K-UL-XX

ADDITIONAL FIXTURE INFO

XSP Series

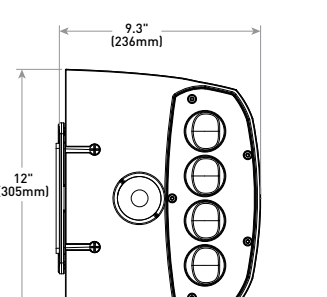
XSPW™ LED Wall Mount Luminaire featuring Cree TrueWhite™ Technology

Rev. Date: Version 13 03/10/2019

Product Description
The XSPW™ LED wall mount luminaire has a slim, low profile design intended for outdoor wall mounted applications. The rugged lighttight aluminum housing and mounting box are designed for installation over standard single gang, 3-Bay and dual gang single gang 2-Bay. The luminaire allows for through-wired or conduit entry from the top, bottom, sides and rear. The housing design is intended specifically for LED technology including a weatherlight LED driver compartment and thermal management. Optic design features industry leading NanoOptic™ Precision Delivery Grid™ optics in multiple distributions.

Applications: Generators and security lighting

Performance Summary
NanoOptic™ Precision Delivery Grid™ optic
Assembled in the U.S.A. of U.S. and imported parts
CRI: 90min, 4000K, 5000K, 5700K
Limited Warranty: 10 years on luminaire/10 years on Colorfast DeltaGuard™ finish



Accessories

Field-installable

Ready Plug	Hard-Plug Remote
WV-PL17* - 12\"/>	

Ordering Information
Example: XSPW-B-WM-24E-3L-28K-UL-36

Product	Version	Mounting	Optic	Lumens	CCT	Voltage	Color Options	Options
XSPW	B	WM	ZMC	20K	40K	UL	EA	ML
XSPW	B	WM	ZMC	20K	40K	UL	EA	ML

OSQ™ LED Area/Flood Luminaire featuring Cree TrueWhite™ Technology - Medium & Large

Product Specifications

CREE TRUEWHITE™ TECHNOLOGY
The OSQ Series SmartLED™ system is a high efficacy, connected lighting solution featuring zero dimming, motion sensing, and daylight harvesting with utility grade power monitoring and support up to 1000 nodes per gateway. The system features a modular and optional edge triggering, multi node gateway, and a 1000+ node gateway. The system features a modular and optional edge triggering, multi node gateway, and a 1000+ node gateway. The system features a modular and optional edge triggering, multi node gateway, and a 1000+ node gateway.

CONSTRUCTION & MATERIALS
• Slim, low profile design optimized for low-wind applications.
• Constructed using aluminum with high performance finish.
• Housing for the adjustable arm mount features a rugged die cast aluminum enclosure for 3000K, 4000K, 5000K, and 5700K color options.
• Adjustable arm mount can be adjusted 180° +/- 2° increments. US and UK models are field-adjustable 0-2° increments for 4000K, 5000K, and 5700K color options.

Electrical Data*

Mount	Power	Power	Power	Power	Power
OSQ-ML-B-DA	28.4 lbs. (13 kg)	28.4 lbs. (13 kg)	28.4 lbs. (13 kg)	28.4 lbs. (13 kg)	28.4 lbs. (13 kg)
OSQ-ML-B-TSP	33.4 lbs. (15 kg)	33.4 lbs. (15 kg)	33.4 lbs. (15 kg)	33.4 lbs. (15 kg)	33.4 lbs. (15 kg)

OSQ Series Ambient Adjusted Lumen Maintenance*

Ambient	Optic	Initial	20K hr	50K hr	100K hr	150K hr
15°C	Aggressive	1.00	1.00	1.00	0.97	0.97
15°C	Standard	1.00	1.00	1.00	0.97	0.97
15°C	Moderate	1.00	1.00	1.00	0.97	0.97

REGULATORY & VOLUNTARY QUALIFICATIONS
• UL-listed and ENEC
• Suitable for wet locations
• Compliant with IESNA and IEC standards
• Compliant with IEEE 802.15.4-2011
• Compliant with IEEE 802.15.4-2011
• Compliant with IEEE 802.15.4-2011

UL CA RESEARCHER WARNING: Cree and Reproductive Health

US: creelighting.com (800) 236-4800
Canada: creelighting-canada.com (800) 473-1234



XSPW™ LED Wall Mount Luminaire

Product Specifications

CREE TRUEWHITE™ TECHNOLOGY
The XSPW Series SmartLED™ system is a high efficacy, connected lighting solution featuring zero dimming, motion sensing, and daylight harvesting with utility grade power monitoring and support up to 1000 nodes per gateway. The system features a modular and optional edge triggering, multi node gateway, and a 1000+ node gateway. The system features a modular and optional edge triggering, multi node gateway, and a 1000+ node gateway.

CONSTRUCTION & MATERIALS
• Slim, low profile design.
• Luminaire housing specifically designed for LED applications with advanced LED thermal management and driver.
• Luminaire mounting box designed for installation over standard single gang, 3-Bay and dual gang single gang 2-Bay.
• Luminaire can also be direct mounted to a wall and surface wired.
• Secure to wall with four (4) 1/8\"/>

Electrical Data*

Lumens Package	CCT/CRI	System Power	Efficiency	Total Current (A)
20K/40K/60K	28	100	0.17	0.58
80K/120K/160K	19	139	0.16	0.59

XSPW Series Ambient Adjusted Lumen Maintenance*

Ambient	Optic	Initial	20K hr	50K hr	100K hr	150K hr
15°C	Aggressive	1.00	1.00	1.00	0.97	0.97
15°C	Standard	1.00	1.00	1.00	0.97	0.97
15°C	Moderate	1.00	1.00	1.00	0.97	0.97

REGULATORY & VOLUNTARY QUALIFICATIONS
• UL-listed and ENEC
• Suitable for wet locations
• Compliant with IESNA and IEC standards
• Compliant with IEEE 802.15.4-2011
• Compliant with IEEE 802.15.4-2011
• Compliant with IEEE 802.15.4-2011

UL CA RESEARCHER WARNING: Cree and Reproductive Health

US: creelighting.com (800) 236-4800
Canada: creelighting-canada.com (800) 473-1234



1340 Kemper Meadow Dr. Forest Park, OH 45424
513-674-9500 | redleonard.com

PROJECT NAME:
**HALO CAR WASH
BARRHAVEN, ON**

DRAWING NUMBER:
RL-7978-S1-R3

ALL SITE PLAN(S), FLOOR PLAN(S), RENDERING(S), LIGHTING LAYOUT(S) AND PHOTOMETRIC PLAN(S) INCLUDING BUT NOT LIMITED TO ANY PROJECT(S) CREATED/PRODUCED BY RED LEONARD ASSOCIATES INC., ARE ONLY INTENDED FOR ILLUSTRATION AND QUOTING PURPOSES ONLY. RED LEONARD ASSOCIATES HAS THE RIGHT TO USE THIRD PARTY LASERS, SCANNERS, AND CAMERAS BUT ACTUAL PROJECT CONDITIONS, DIMENSIONS, AND ACCURACY OF MEASUREMENTS MAY DIFFER FROM THESE OR ANY PARAMETERS. RED LEONARD ASSOCIATES INC. ASSUMES NO LIABILITY FOR WHAT IS CREATED/PRODUCED IN THESE RENDERINGS. THIS INCLUDES BUT IS NOT LIMITED TO THE USE OF, INSTALLATION OF AND/OR INTEGRITY OF EXISTING BUILDINGS, SUBSURROUNDING AREA FOR PRODUCTS(S) SUCH AS EXISTING POLES(S), ANCHOR BOLTS, BASE(S), ARCHITECTURAL AND SIGNAGE STRUCTURE(S), LANDSCAPING PLAN(S), LIGHTING PLAN(S), FIXTURE SELECTION(S) AND PLACEMENT, MATERIALS, COLOR ACCURACY, TEXTURES, AND ANYTHING ATTRIBUTED TO PHOTO REALISM THAT IS CREATED. FURTHERMORE, RED LEONARD ASSOCIATES INC. DOES NOT ASSUME LIABILITY WHATSOEVER FOR ANY PURCHASES MADE BY CLIENT BEFORE, DURING, OR AT THE CONCLUSION OF THE PUBLISHED WORK. THE CUSTOMER, ITS RELATIVE AFFILIATES, AS WELL AS ANY OTHER PERSON(S) IN VIEWING OF THIS PRODUCT IS RESPONSIBLE FOR VERIFYING COMPLIANCE WITH ANY BUT NOT LIMITED TO ALL CODES, PERMITS, RESTRICTIONS, INSTRUCTIONS, PURCHASES, AND INSTALLATIONS OF OBJECTS VIEWED WITHIN THIS DOCUMENT(S) OR PROJECT(S). SYMBOLS ARE NOT DRAWN TO SCALE. SIZE IS FOR CLARITY PURPOSES ONLY. SIZES AND DIMENSIONS ARE APPROXIMATE. ACTUAL MEASUREMENTS MAY VARY. DRAWINGS ARE NOT INTENDED FOR ENGINEERING OR CONSTRUCTION USE. THIS DOCUMENT, ANY RED LEONARD DRAWING(S), OR PROJECT(S) IS NOT TO BE USED AND/OR INTENDED FOR ENGINEERING OR CONSTRUCTION PURPOSES, BUT FOR ILLUSTRATIVE PURPOSES ONLY. ANY USE OF THIS DOCUMENTATION AND/OR OTHER ARTICLES PRODUCED BY RED LEONARD WITHOUT WRITTEN AUTHORIZATION FROM JAYME J. LEONARD IS STRICTLY PROHIBITED.

