

CONCRETE PAVING/MONOLITHIC CURB
Refer to Grading Plan for Grading

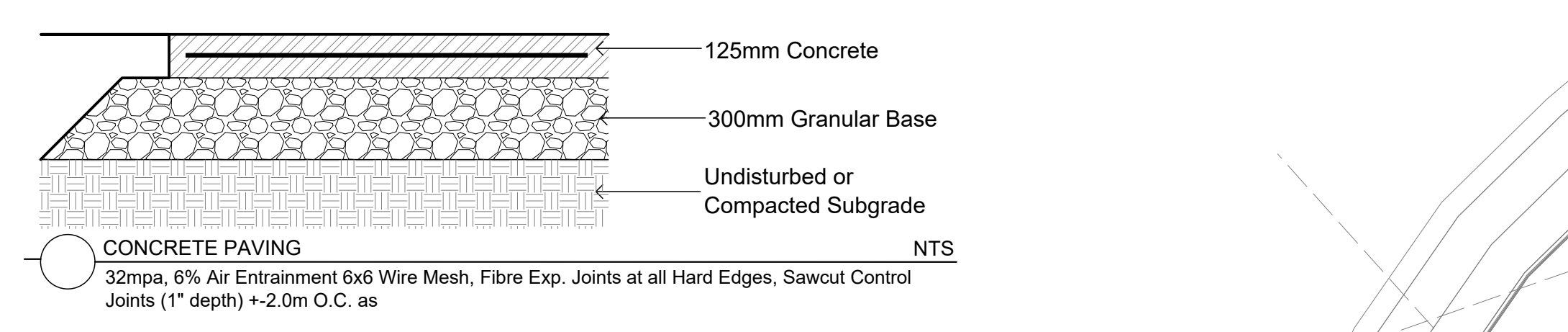
CONCRETE - FINISH LIGHT BROOM, WOOD FLOAT MAGNESIUM FLOAT.
ALL CONCRETE FINISHES TO BE APPROVED BY GJA LANDSCAPE ARCHITECT.

SAWCUT LAYOUT FOR ALL AREAS TO BE MARKED ON SITE IN RED CHALK, REVIEWED, ADJUSTED AND APPROVED BY GJA LANDSCAPE ARCHITECT PRIOR TO ANY CUTTING.

EXPANSION JOINT LAYOUT FOR ALL AREAS TO BE LAID OUT ON SITE, REVIEWED, ADJUSTED AND APPROVED BY GJA LANDSCAPE ARCHITECT PRIOR TO ANY CONCRETE POURING.

PROVIDE COLD JOINT DETAIL at End of Previous Pour/Beginning of New Pour, C/W REBAR DOWELS 500mm O.C.

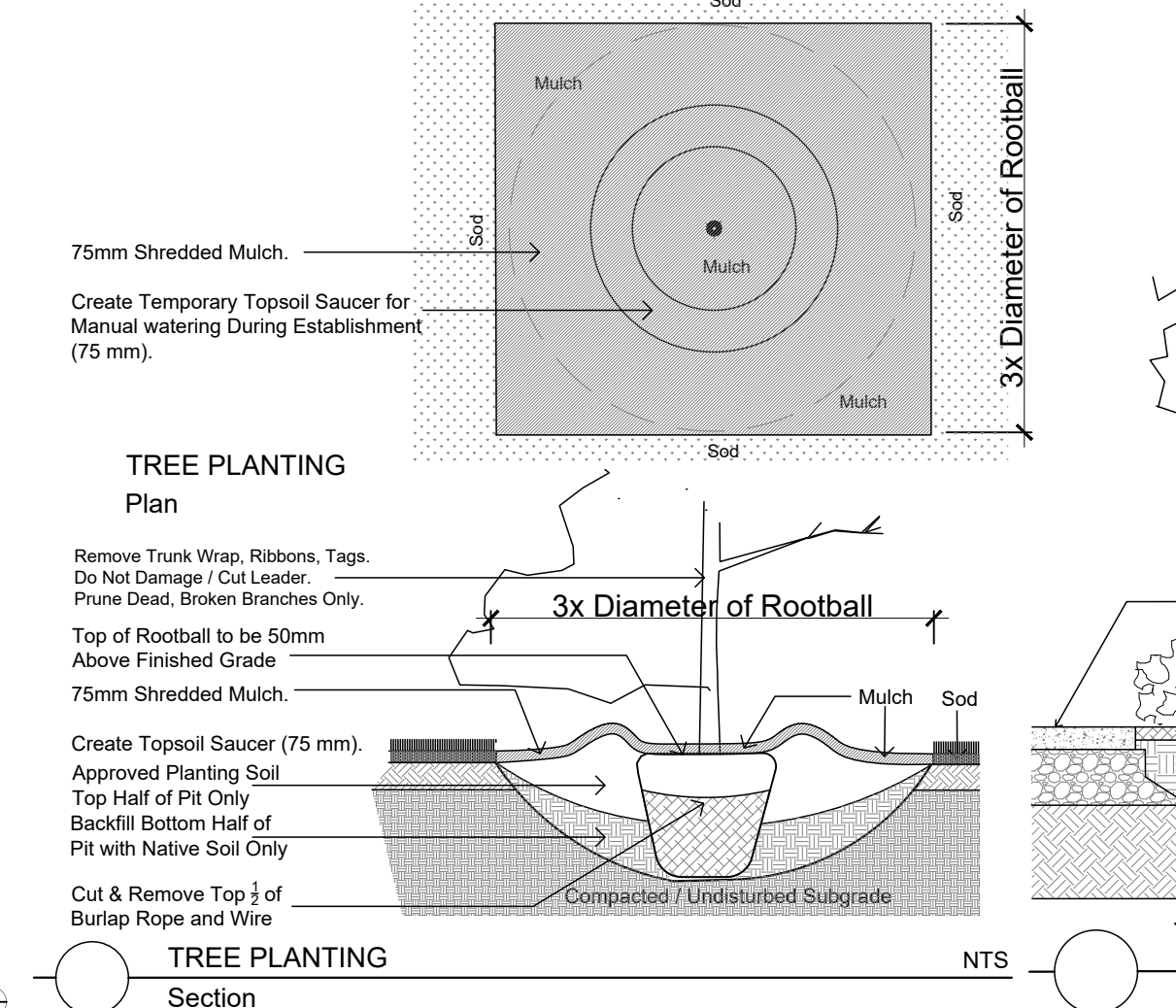
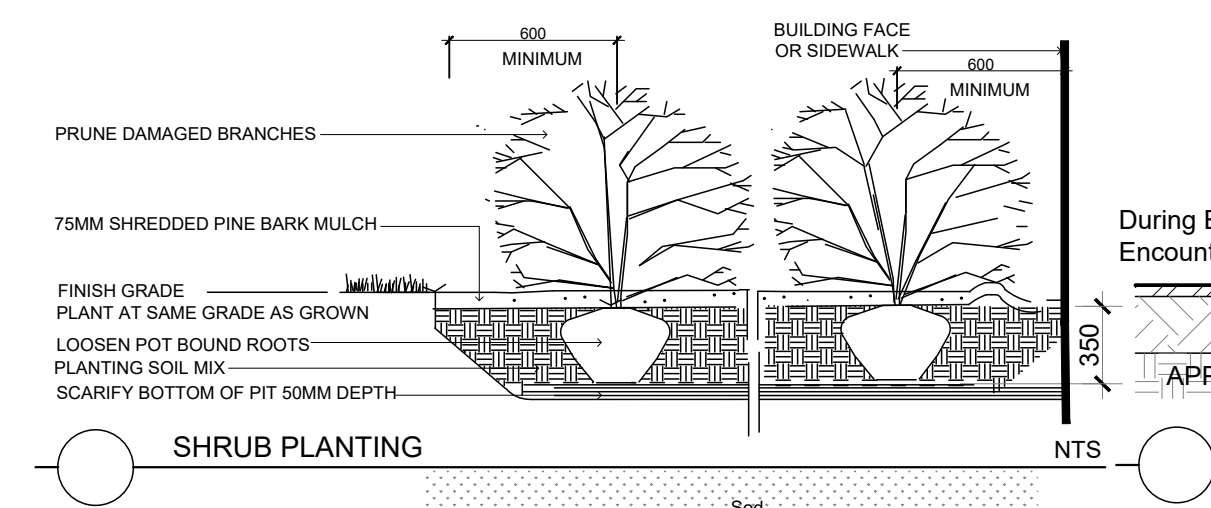
FINISH: TOOL EDGE FIRST, THEN WIPE OFF TOOL MARKS WHILE APPLYING FINISH.



Code	Qty.	Botanical Name	Common Name	Size	Condition
AG	3	Aesculus glabra	Ohio Buckeye	50mm cal	B + B specimen
AR	3	Acer rubrum	Red Maple	70mm cal	B + B specimen
AS	3	Acer saccharum	Sugar Maple	60mm cal	B + B specimen
BP	1	Betula papyrifera	Paper Birch	60mm cal	B + B specimen
CO	1	Celtis occidentalis	Common Hackberry	60mm cal	B + B specimen
CC	3	Crataegus crus-galli 'Inermis'	Thornless Cockspur Hawthorn	60mm cal	B + B specimen
GB	2	Ginkgo biloba	Maidenhair Tree	70mm cal	B + B specimen
GD	1	Gymnocladus dioica	Kentucky Coffee Tree	60mm cal	B + B specimen
QM	3	Quercus macrocarpa	Burr Oak	60mm cal	B + B specimen
QR	3	Quercus rubra	Red Oak	60mm cal	B + B specimen
AB	3	Abies balsamea	Balsam Fir	2.0m Ht.	B + B specimen
LL	3	Larix laricina	Eastern Larch / Tamarack	2.25m Ht.	B + B specimen
PG	5	Picea glauca	White Spruce	2.5m Ht.	B + B specimen
PS	5	Pinus strobus	White Pine	1.5m Ht.	B + B specimen

Code	Qty.	Botanical Name	Common Name	Size	Condition
ac	7	Amelanchier canadensis	Serviceberry	100cm Ht.	Pot
HK	250	Hypericum kalmianum	St. John's Wort	40cm Ht.	Pot
HP	200	Hypericum prolificum	Shrubby St. John's Wort	40cm Ht.	Pot
sv	5	Syringa vulgaris alba	White Common Lilac	100cm Ht.	Pot
VI	5	Viburnum lentago	Nannyberry	100cm Ht.	Pot
SA	275	Spiraea alba	Meadowsweet	60cm Ht.	Pot

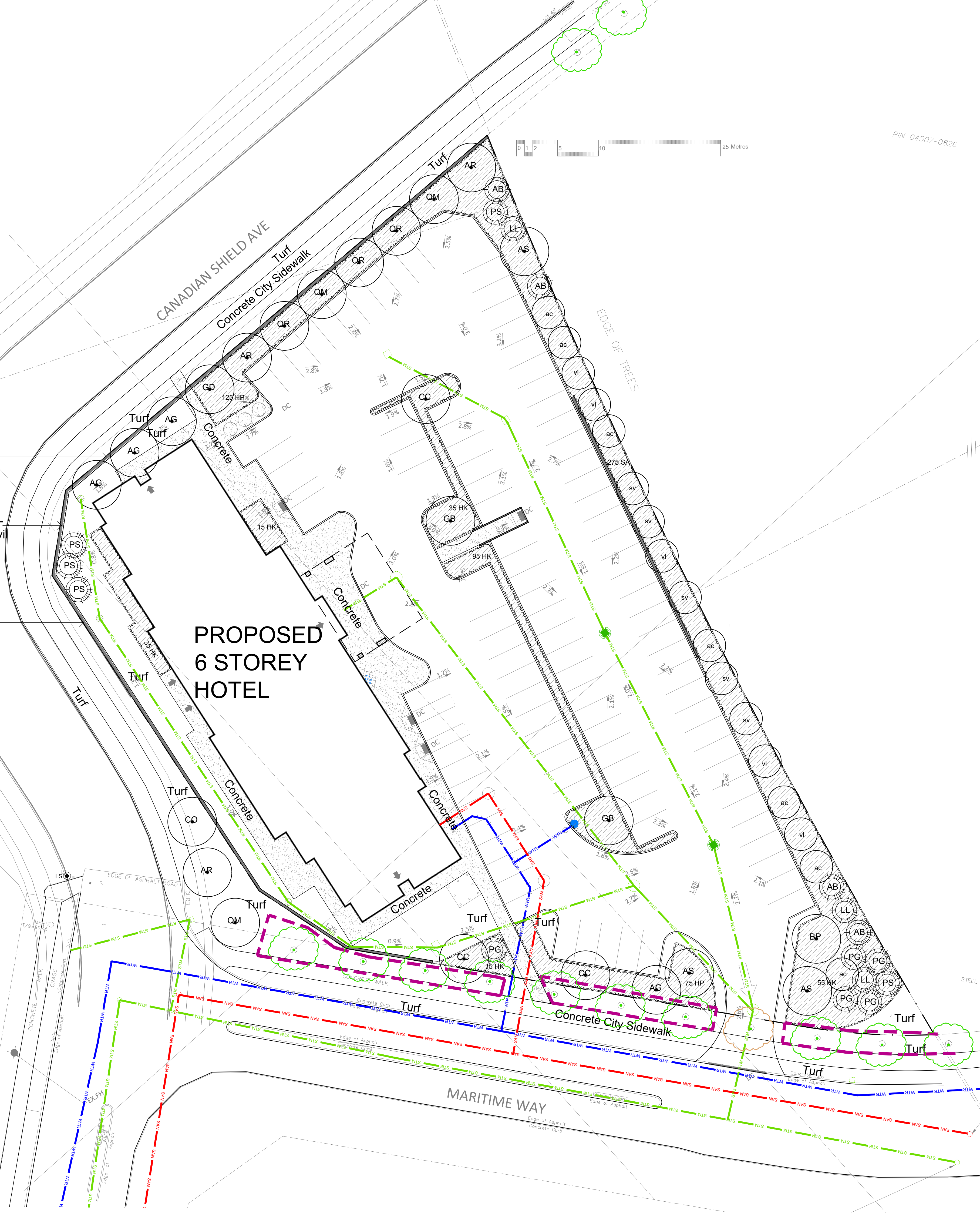
Qty.	Botanical Name	Common Name	Condition
25	Calamagrostis acutiflora 'Overmid'	Feather Reed Grass	9cm Pot
25	Imperata cylindrical 'Red Baron'	Japanese Blood Grass	9cm Pot
15	Echinacea purpurea	Purple Coneflower	9cm Pot
150	Geranium macrorrhizum	Bigroot Geranium	9cm Pot
150	Geranium psilostemon 'Gerwat'	Rozanne Geranium	9cm Pot
5	Parthenocissus quinquefolia	Virginia Creeper	9cm Pot
35	Panicum virgatum	Switch Grass	9cm Pot
75	Pinus mugo var. pumilio	Mugho Pine	30cm spr
35	Arctostaphylos Uva Ursi	Bearberry	30cm spr
25	Taxus cuspidata 'Monloo'	Emerald Spreader Yew	30cm spr



During Excavation/Bed Preparation if Extreme Conditions are Encountered (Water, Rock, Gravel...) Notify GJA INC Immediately.

75mm Shredded Pine Bark Mulch-Flush with Turf or Adjacent Surface

APPROVED Subgrade or Fill



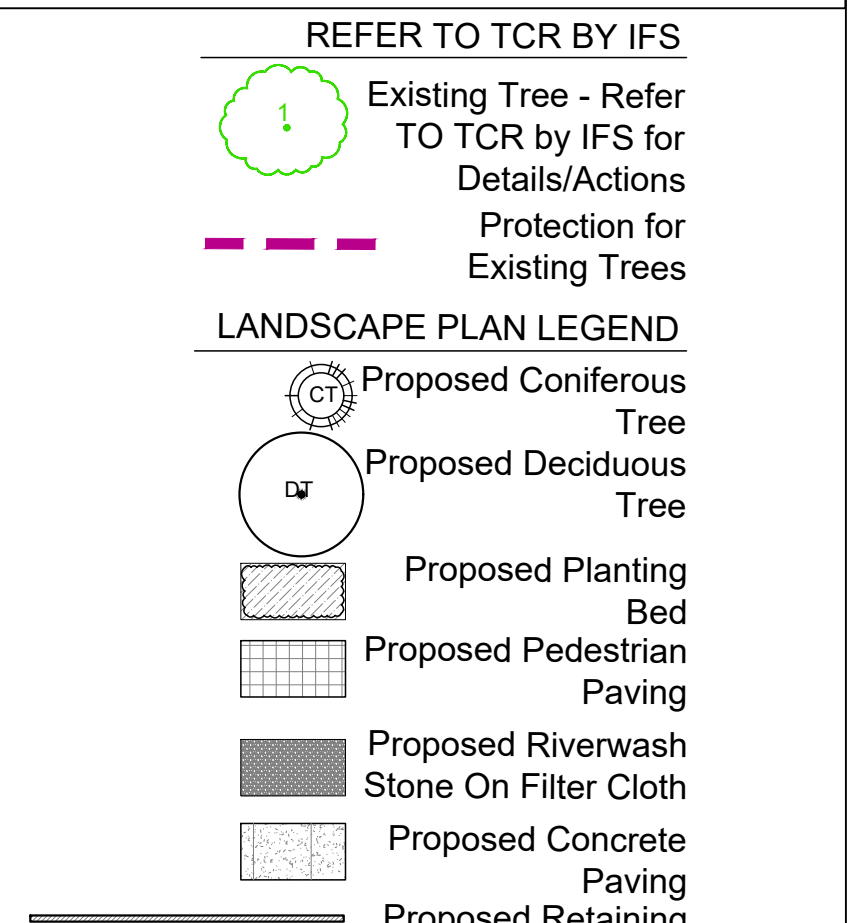
Drawing Remains the Property of/Copyright Reserved by GJA INC. Do Not Use or Reproduce Without Approval of GJA INC. NOT To Be Used For Construction Unless indicated by Revision: "FOR LANDSCAPE CONSTRUCTION". Contractor is Responsible for Verification of Site Locations of all Utilities. Report any Discrepancies Between Site and Drawing Immediately to GJA INC. Do NOT Proceed Until Clarified.

TURF AREAS TO BE SOD C/W 150MM DEPTH TOPSOIL ON APPROVED SUBGRADE | SOD TO BE #1 GRADE TURFGRASS NURSERY SOD per NSGA - Fine Fescue/Kentucky Bluegrass Sod | PLANTING MIX TO BE APPROVED BY LANDSCAPE ARCHITECT | PLANT MATERIAL TO MEET CNLA STANDARDS/BE APPROVED BY LANDSCAPE ARCHITECT PRIOR TO PLANTING | ALL MATERIALS & WORK TO BE MAINTAINED UNTIL FINAL ACCEPTANCE, (MOWING TURF, WEEDING BEDS, WATERING TURF & PLANTS) & INCLUDE 1 YEAR WARRANTY FROM DATE OF FINAL ACCEPTANCE | PROVIDE WATERING OF ALL PLANT MATERIAL AS REQUIRED FOR PROPER ESTABLISHMENT UNTIL END OF WARRANTY PERIOD | REFER TO CIVIL ENGINEER'S DRAWING FOR ELEVATIONS / GRADING |

The Landscape Plan is to be read in conjunction with the grading, servicing, site and survey plan | Bare root material to be planted in season only | All plant material locations to be staked on site by the landscape contractor and checked by the landscape architect prior to planting | All trees to be preserved on or directly adjacent to the site will be protected | Plant material are to be installed a minimum of; 3.0m away from any part of any hydro transformer, 3.0m corridor between a fire hydrant and the curb, a 2.5m radius beside or behind a fire hydrant, 2.0m from any servicing/utility line or structure |

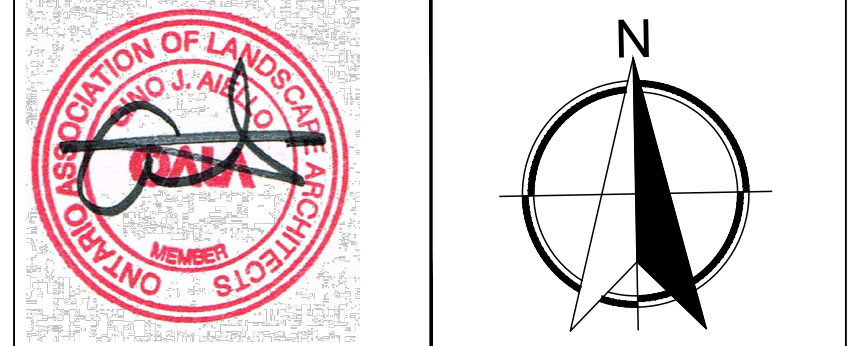
REFER TO TCR BY IFS

- Existing Tree - Refer TO TCR BY IFS for Details/Actions
- Protection for Existing Trees



Code	Service
WTR	U/G Water Service
STM	U/G Storm Service
SAN	U/G Sanitary Service
CB	Catch Basin/Manhole
FD	Fire Hydrant
LS	FD Siamese Connection Light Standard Base

Revision	Date
1	SITE PLAN CONTROL SUBMISSION 1 FEBRUARY 15 2022
0	REVIEW/COORDINATION JANUARY 2022



SILVER HOTELS (KANATA) INC
Property Owner 110 DIDSBUARY ROAD #77 K2T 0C2

Gino J. Aiello | landscape architect GJALA.com
GJA Inc. Gino@GJALA.com (613) 286 5130
110 Didsbury Road Unit #9 | Ottawa Ontario | K2T 0C2

Project Proposed 6 Storey Hotel HAMPTON INN
1305 MARITIME WAY KANATA

Landscape Plan
Scale: 1:250 Sheet Number L1
City of Ottawa Dwg - #####