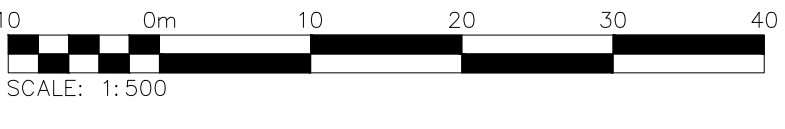


ELECTRICAL LEGEND	
LIGHTING	
	WALL MOUNTED LIGHT FIXTURE
	POLE MOUNTED LIGHT FIXTURE
LINETYPES	
	PROPERTY LINE
ABBREVIATIONS	
MH	MOUNTING HEIGHT

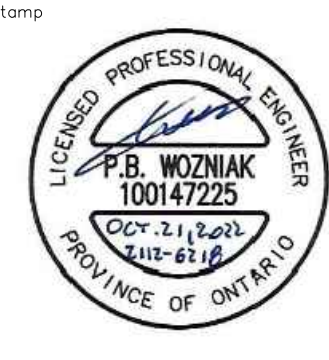
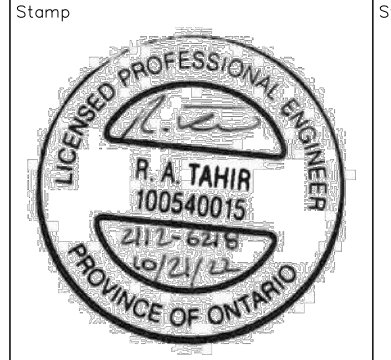
ELECTRICAL DRAWING LIST	
E100	SITE PLAN – PHOTOMETRIC
E101	SITE LIGHTING DETAILS

SITE PLAN – PHOTOMETRIC  
SCALE: 1:500



STATISTICS SCHEDULE					
DESCRIPTION	SYMBOL	AVG	MAX	MIN	AVG/MIN
PARKING 1	X	2.0 fc	7.0 fc	0.2 fc	10.0:1
PARKING 2	+	2.5 fc	9.8 fc	0.5 fc	5.0:1
ACCESSIBLE PARKING	*	3.3 fc	4.0 fc	2.5 fc	1.3:1

NOT FOR CONSTRUCTION



**CROZIER CONSULTING ENGINEERS**  
2800 HIGH POINT DRIVE  
SUITE 100  
MILTON, ON L9T 6P4  
905-875-4915 F  
WWW.CFCROZIER.CA

Drawn	B.Z./T.S.D.	Design	T.S.D./R.T.	Project No.	2112-6218
Check		Check	R.T.	Scale	1:500
				Dwg.	E100

### XSP Series

XSPMD LED Street/Area Luminaire - Medium

TYPE: A

Rev. Date: V16.06/03/2022

**Product Description**  
Designed from the ground up as a totally optimized LED street and area lighting system, the XSP Series delivers incredible efficiency without sacrificing application performance. Beyond substantial energy savings and reduced maintenance, Cree Lighting achieves greater optical control with our NanoOptic® Precision Delivery Grid™ optics when compared to traditional cobra head luminaires. The XSP Series is the better alternative for traditional street and area lighting with quick payback and improved performance.

**Applications:** Collector roads, major roads, parking lots, and general area spaces.

**Performance Summary**  
NanoOptic® Precision Delivery Grid™ optic  
Assembled in the USA by Cree Lighting from US and imported parts  
**Initial Delivered Lumens:** Up to 11,875  
Efficacy: Up to 135 LPW  
CRI: Minimum 70 CRI  
CCT: 3000K, 4000K, 5000K, 5700K  
**Limited Warranty:** 10 years on luminaires; 10 years on Colorfast DataGuard® finish; up to 5 years for Synapse™ accessories; 3 year on luminaire accessories.

**Accessories**  
Field-installed:  
Backlight Control Shield  
Bird Spikes  
Shunting Cap  
Weight: 14.7 lbs. (6.6kg)

**Ordering Information**  
Example: XSPMD-D-HT-3L0-12L-300K-UL-50-W

XSPMD	D	HT	3L0	12L	300K	UL	50	W
Product	Version	Mounting	Optic	Lumen Package*	CCT/CRI	Voltage	Color Options	Options

USA: cree.com 8000 234-6800  
Canada: cree.com 8000 473-1234

### XSP Series

XSPPLG LED Street/Area Luminaire - Large

TYPE: A1

Rev. Date: V16.06/03/2022

**Product Description**  
Designed from the ground up as a totally optimized LED street and area lighting system, the XSP Series delivers incredible efficiency without sacrificing application performance. Beyond substantial energy savings and reduced maintenance, Cree Lighting achieves greater optical control with our NanoOptic® Precision Delivery Grid™ optics when compared to traditional cobra head luminaires. The XSP Series is the better alternative for traditional street and area lighting with quick payback and improved performance.

**Applications:** Multi-lane freeways, express ways, major roads, parking lots, and general area spaces.

**Performance Summary**  
NanoOptic® Precision Delivery Grid™ optic  
Assembled in the USA by Cree Lighting from US and imported parts  
**Initial Delivered Lumens:** Up to 23,800  
Efficacy: Up to 141 LPW  
CRI: Minimum 70 CRI  
CCT: 3000K, 4000K, 5000K, 5700K  
**Limited Warranty:** 10 years on luminaires; 10 years on Colorfast DataGuard® finish; up to 5 years for Synapse™ accessories; 3 year on luminaire accessories.

**Accessories**  
Field-installed:  
Backlight Control Shield  
Bird Spikes  
Shunting Cap  
Weight: 23.4 lbs. (10.6kg)

**Ordering Information**  
Example: XSPPLG-D-HT-2L0-24L-300K-UL-50-W

XSPPLG	D	HT	2L0	24L	300K	UL	50	W
Product	Version	Mounting	Optic	Lumen Package*	CCT/CRI	Voltage	Color Options	Options

USA: cree.com 8000 234-6800  
Canada: cree.com 8000 473-1234

### XSP Series

XSPWPM LED Wall Mount Luminaire featuring Cree TrueWhite® Technology

TYPE: B

Rev. Date: Version 016.08/03/2022

**Product Description**  
The XSPWPM LED wall mount luminaire has a slim, low profile design intended for outdoor wall mounted applications. The rugged lightweight aluminum housing and mounting box are designed for installation over standard single gang, 2-bases and dual gang single gang 3-bases. The luminaire allows for through-wire or conduit entry from the top, bottom, sides and rear. The housing design is intended specifically for LED technology including a weatherproof LED driver compartment and thermal management. Optic design features industry-leading NanoOptic® Precision Delivery Grid™ system in multiple distributions.

**Applications:** General area and security lighting.

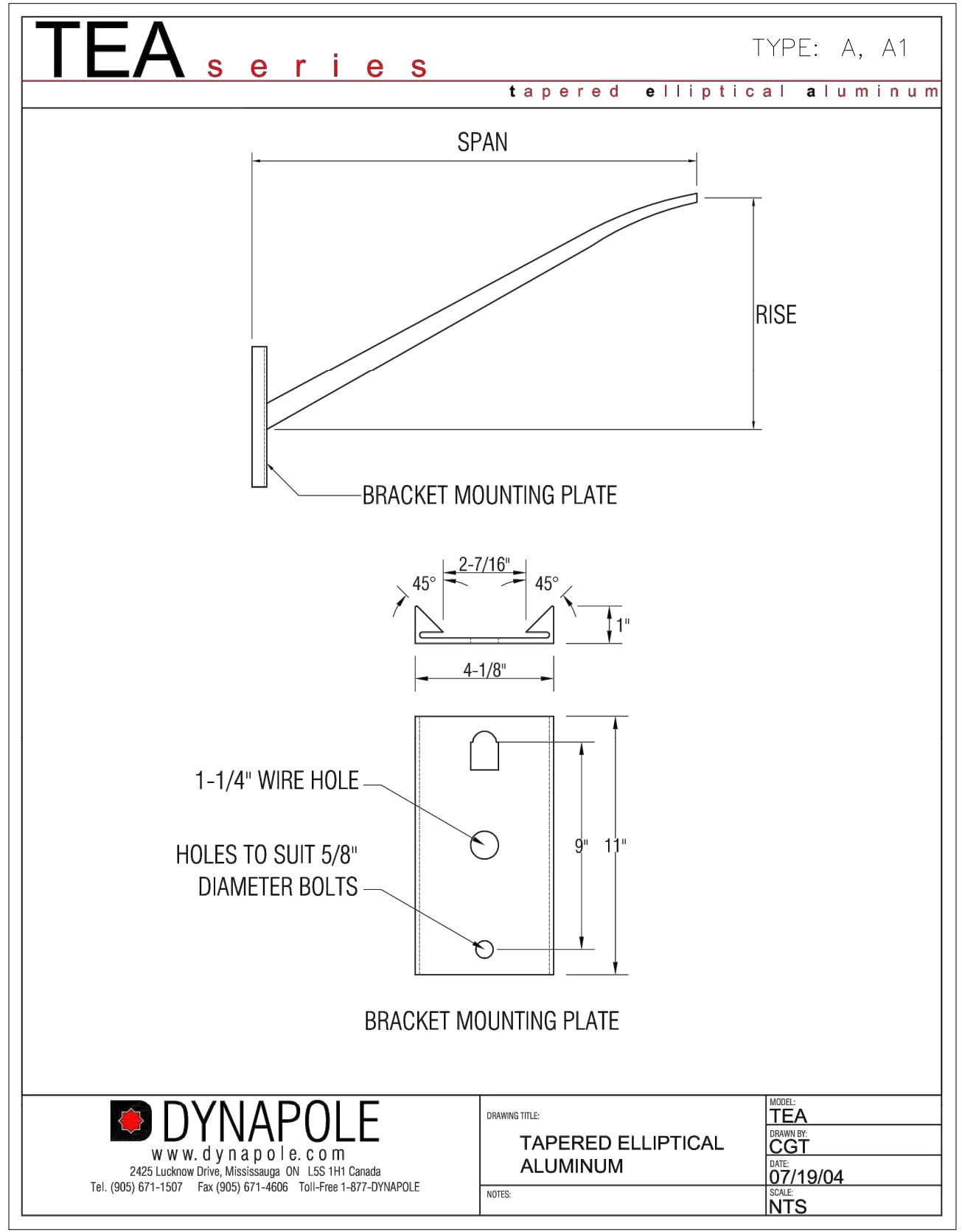
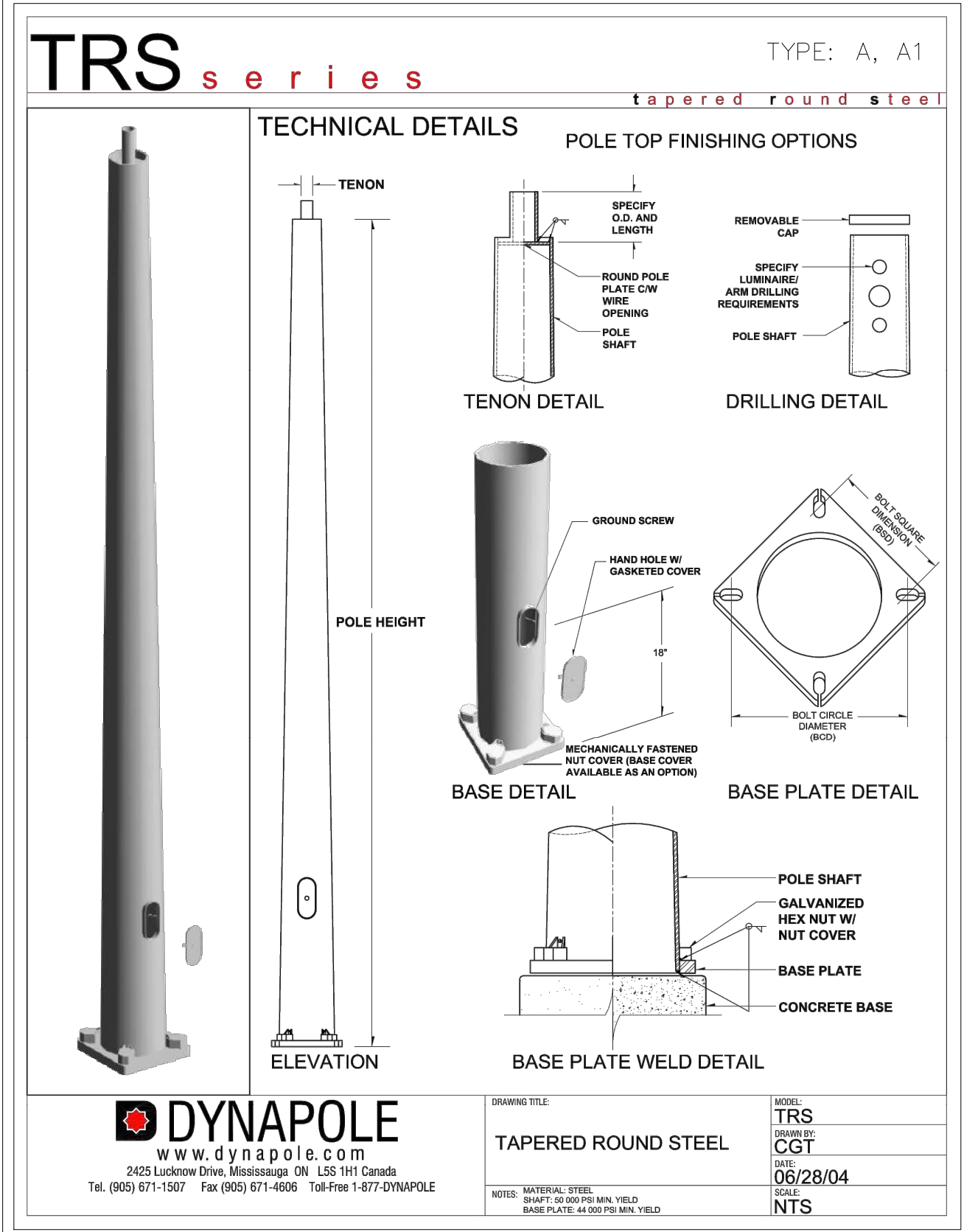
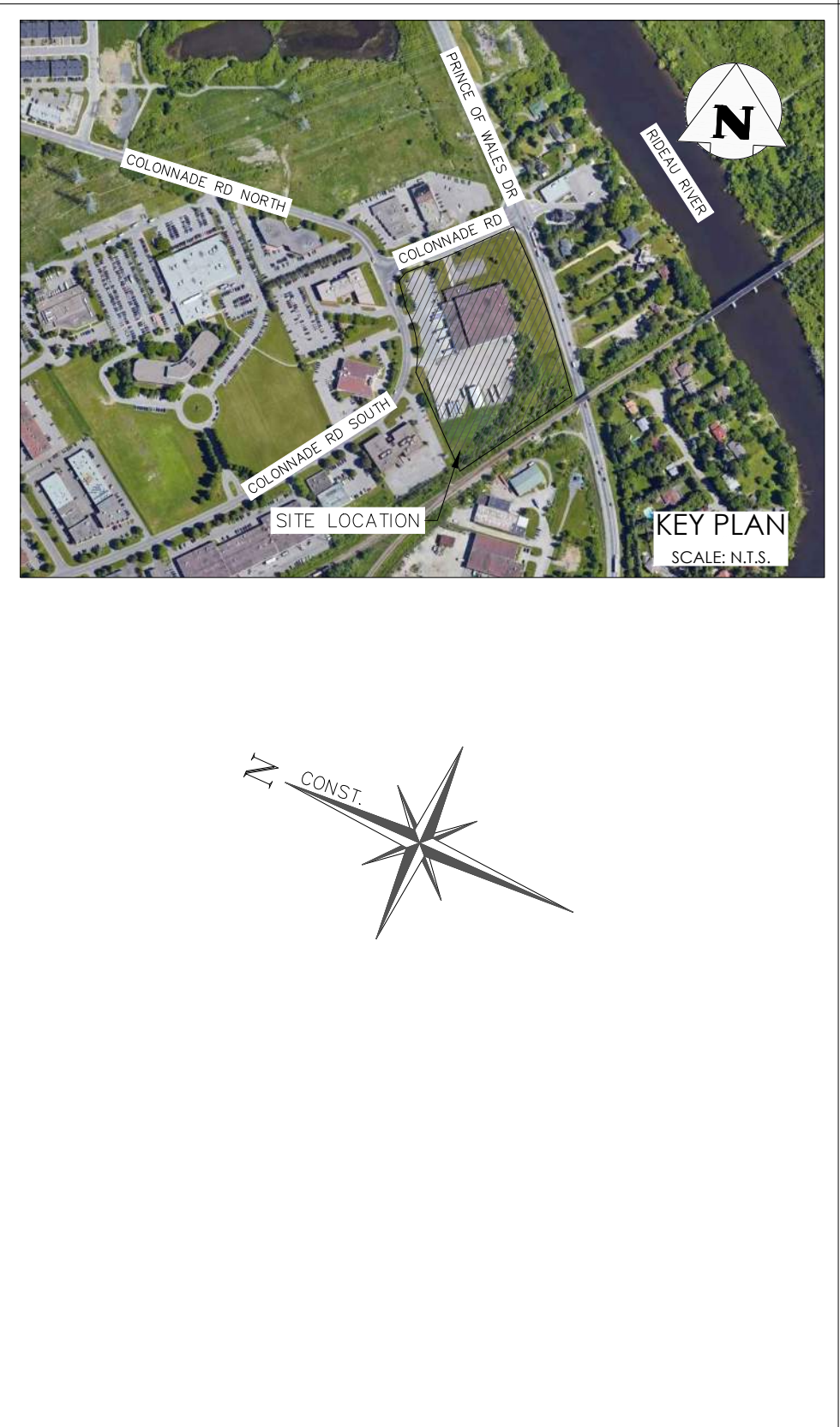
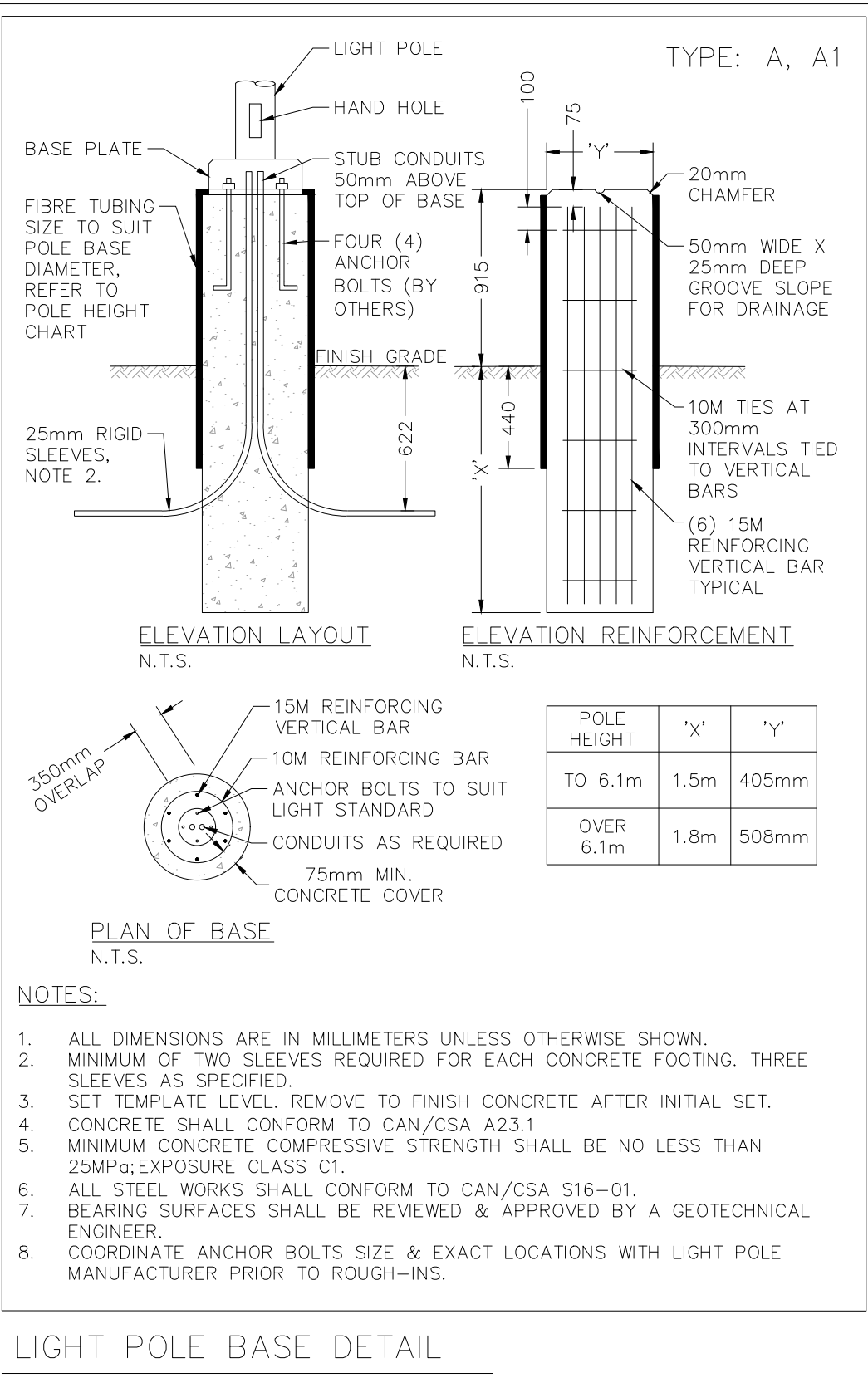
**Performance Summary**  
NanoOptic® Precision Delivery Grid™ optic  
Assembled in the USA by Cree Lighting from US and imported parts  
**Initial Delivered Lumens:** Up to 8,475  
CRI: Minimum 70 CRI (3000K, 4000K & 5700K), 90 CRI (5000K)  
CCT: 3000K, 4000K, 5000K, 5700K  
**Limited Warranty:** 10 years on luminaires; 10 years on Colorfast DataGuard® finish; up to 5 years for Synapse™ accessories; 3 year on accessories.

**Accessories**  
Field-installed:  
Beauty Plate  
Hand Held Burner  
Lumen Package  
Weight

**Ordering Information**  
Example: XSPWPM-B-WM-2M0-12L-300K-UL-50-W

XSPWPM	B	WM	2M0	12L	300K	UL	50	W
Product	Version	Mounting	Optic	Lumen Package*	CCT	Voltage	Color Options	Options

USA: cree.com 8000 234-6800  
Canada: cree.com 8000 473-1234



### Dynapole

TYPE: A, A1

168 Free Drive, Canada & USA: 1-877-DYNAPOLE © 2017 096-2705

Home: <http://www.dynapole.com> Products: <http://www.dynapole.com/products> Photo Gallery: <http://www.dynapole.com/gallery>

Contact us: [info@dynapole.com](mailto:info@dynapole.com)

**Typical elliptical aluminum**

Part No.	Span (ft)	Rise (ft)	Weight (lb)	Material (see drawing)
1000	1	1	29.00	6061-T6 Aluminum
1000	1	1.5	34.00	6061-T6 Aluminum
1000	1	2	39.00	6061-T6 Aluminum
1000	1	2.5	44.00	6061-T6 Aluminum
1000	1	3	49.00	6061-T6 Aluminum

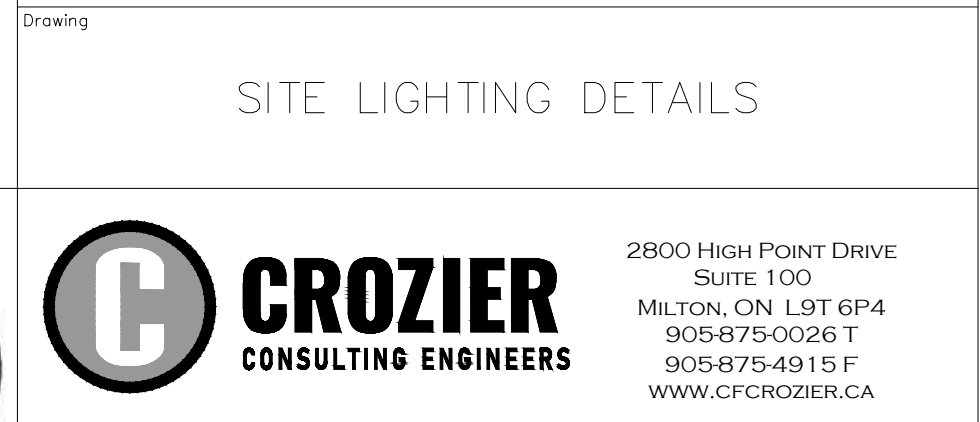
USA: cree.com 8000 234-6800  
Canada: cree.com 8000 473-1234

LUMINAIRE SCHEDULE

SYMBOL	LABEL	MANUFACTURER	CATALOG NUMBER	LIGHT LOSS FACTOR	MOUNTING HEIGHT	WATTAGE	DESCRIPTION
□ >	A	CREE	XSPMD-D-HT-4ME-12L-40K7-UL-BK-N-HSS	0.85	MOUNTED ON 0.9m (3') BASE & 7.1m (23.2') POLE C/W 1.8m (6') ARM	95W	XSP SERIES LED AREA FIXTURE BY CREE LIGHTING, 95W, TYPE 4 DISTRIBUTION, 4000K, C/W LONG LIFE PHOTOCCELL & HOUSE LIGHT SHIELD.
□ >	A1	CREE	XSPPLG-D-HT-4ME-24L-40K7-UL-BK-N-HSS	0.85	MOUNTED ON 0.9m (3') BASE & 7.1m (23.2') POLE C/W 1.8m (6') ARM	184W X 2	XSP SERIES LED AREA FIXTURE BY CREE LIGHTING, 184W X 2, TYPE 4 DISTRIBUTION, 4000K, C/W LONG LIFE PHOTOCCELL & HOUSE LIGHT SHIELD.
□ >	B	CREE	XSPW-B-WM-4ME-8L-40K-UL-BK-P	0.85	WALL MOUNTED AT 4.2m (13.8') ABOVE FINISHED GRADE	71W	XSP SERIES LED WALL MOUNT FIXTURE BY CREE LIGHTING, 71W, TYPE 4 DISTRIBUTION, 4000K, C/W LONG LIFE PHOTOCCELL.

THE FOLLOWING NOTATIONS APPLY TO ALL LUMINAIRES IN SCHEDULE, UNLESS OTHERWISE NOTED:  
1. ELECTRICAL CONTRACTOR IS RESPONSIBLE TO PROVIDE PHOTOCELLS AS REQUIRED. COORDINATE EXACT LOCATION & REQUIREMENTS WITH LIGHT MANUFACTURER.

NOT FOR CONSTRUCTION



Stamp: R. A. TAHIR 100540015 2112-6218 10/21/22 PROVINCE OF ONTARIO

Stamp: P. B. WOZNAK 100147225 2112-6218 10/21/22 PROVINCE OF ONTARIO

**CROZIER CONSULTING ENGINEERS**  
2800 HIGH POINT DRIVE SUITE 100 MILTON, ON L9T 6P4 905-875-0026 T 905-875-4915 F WWW.CFCROZIER.CA

Drawn: B.Z./T.S.D. Design: T.S.D./R.T. Project No.: 2112-6218  
Check: Check R.T. Scale: N.T.S. Dwg.: E101