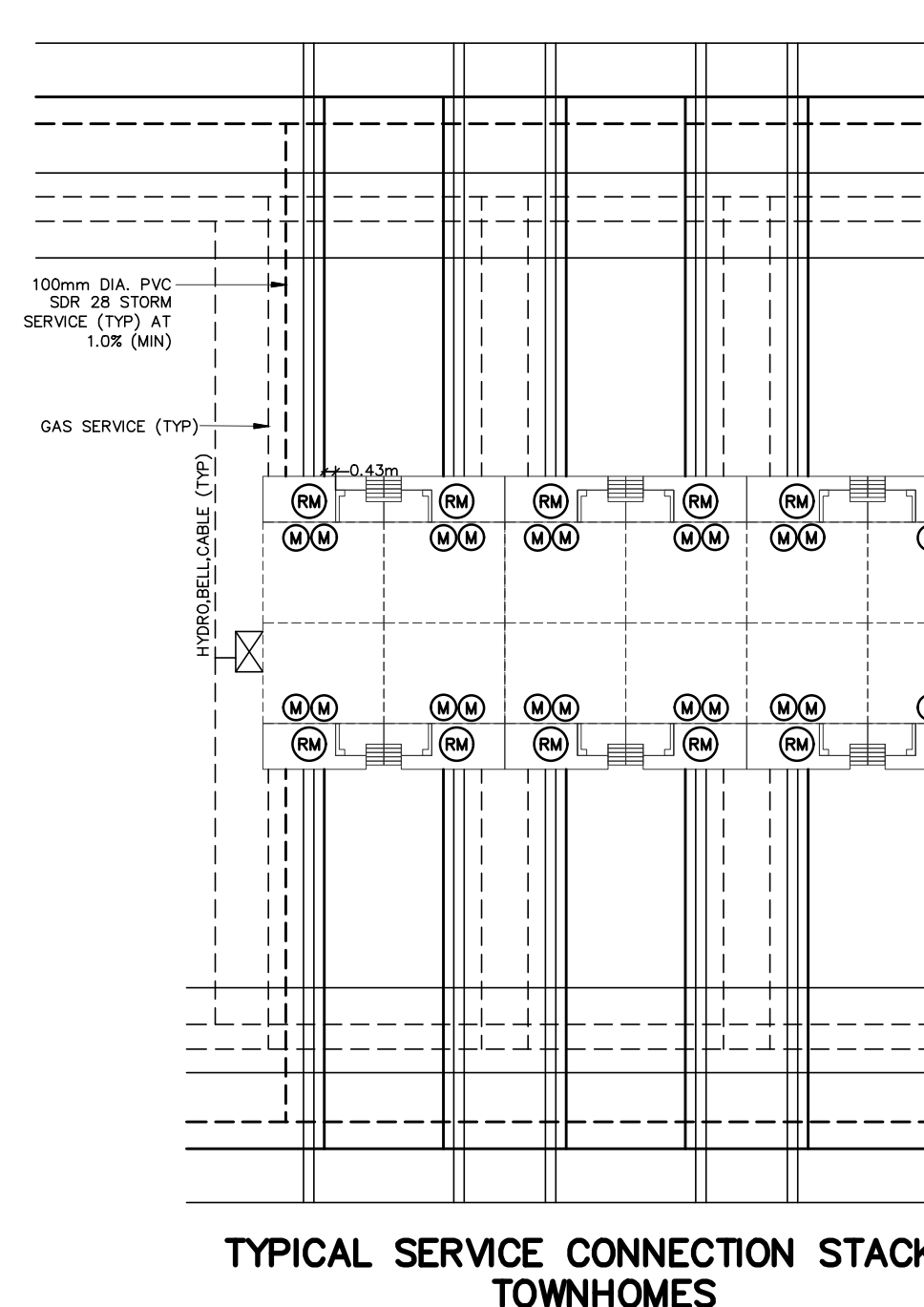
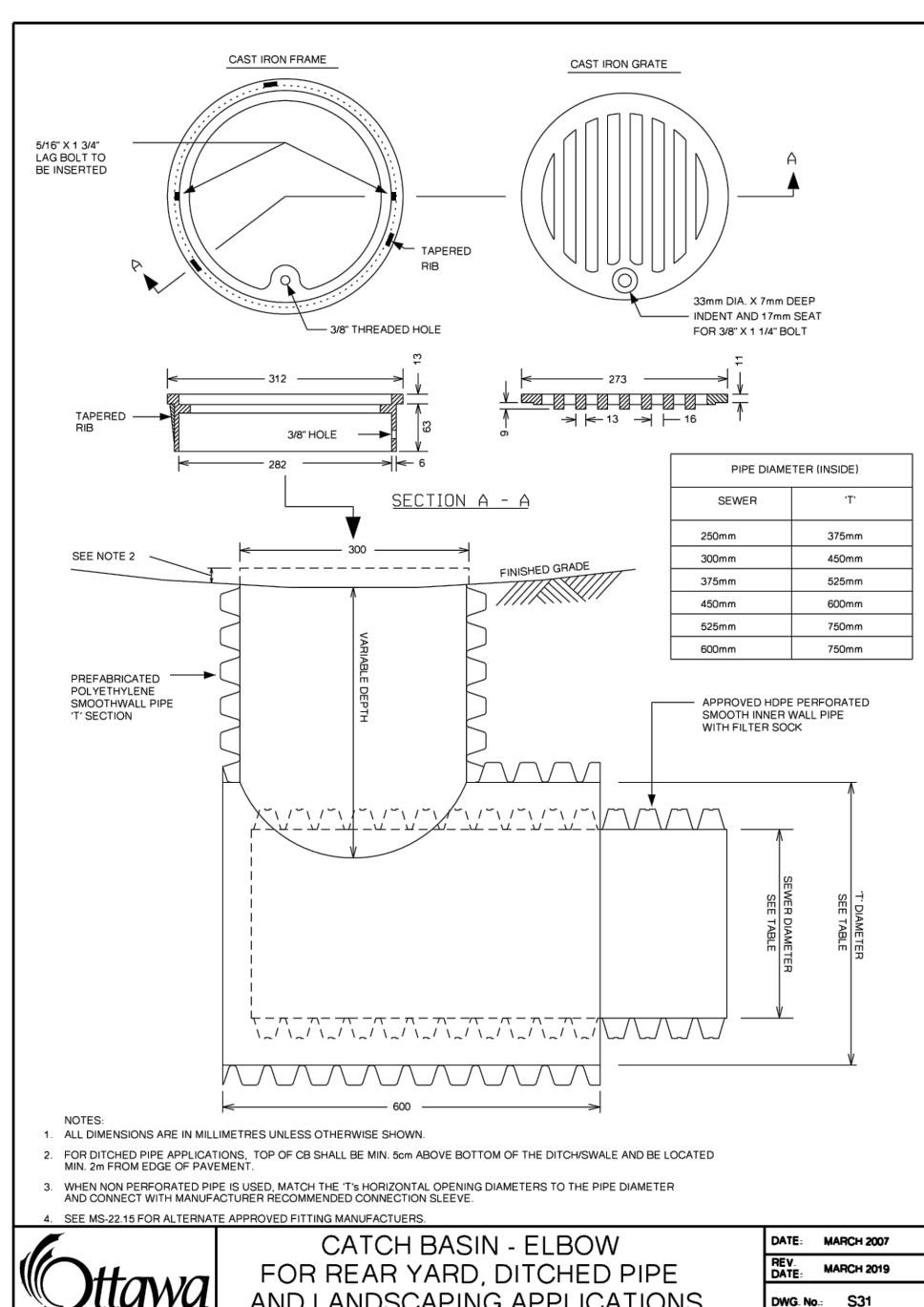
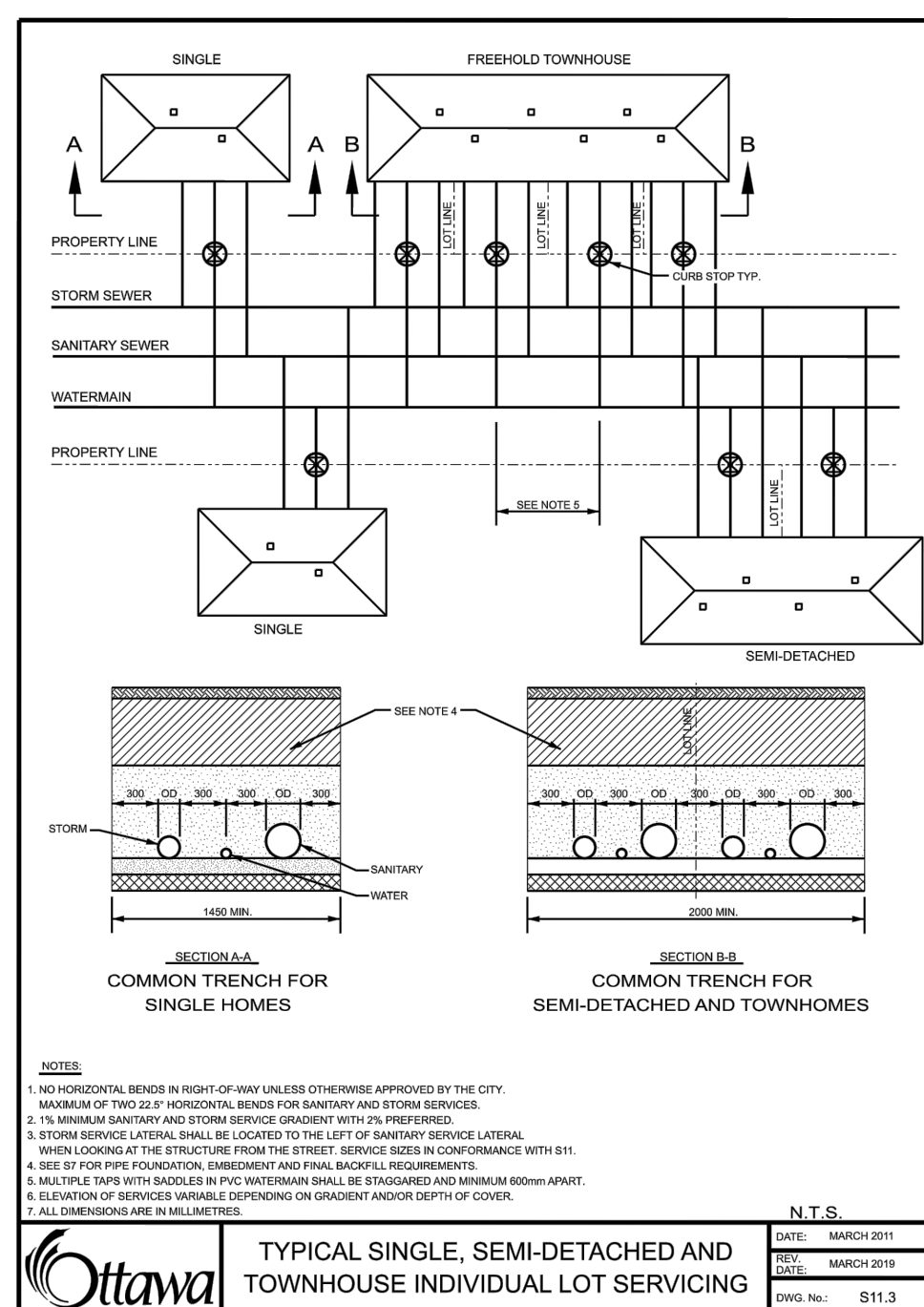
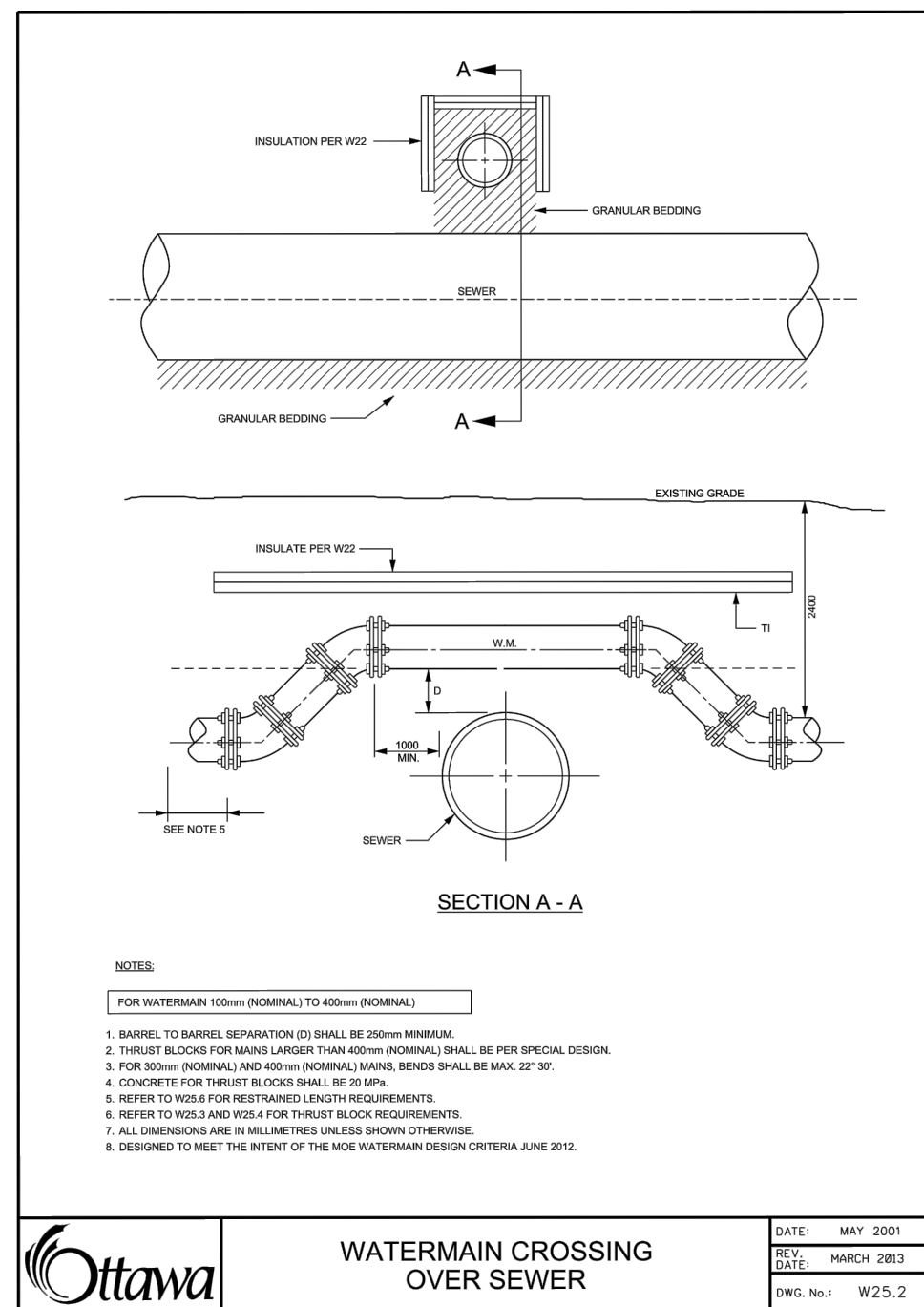


CROSSINGS TABLE							
CROSS NUMBER	DIAMETER TOP	DIAMETER BOTTOM	INVERT TOP	OBVERT BOTTOM	TYPE TOP	TYPE BOTTOM	CLEARANCE (m)
1	1500	2000	96.91	96.61	Watermain	SanitaryMain	0.30
2	1500	2000	96.42	94.94	Watermain	SanitaryMain	1.48
3	1500	3750	96.43	95.90	Watermain	StormMain	0.53
4	500	2000	97.23	96.12	Watermain	SanitaryMain	1.11
5	1500	2000	95.77	95.39	Watermain	SanitaryMain	0.38
6	1500	2000	92.99	91.54	Watermain	SanitaryMain	1.45
7	4500	1500	92.99	92.49	StormMain	Watermain	0.50
8	1500	2000	93.40	93.05	Watermain	SanitaryMain	0.35
9	500	2000	93.02	91.71	Watermain	SanitaryMain	1.31
11	2000	3000	98.03	97.78	Watermain	StormMain	0.25
12	1500	2000	94.43	92.72	Watermain	SanitaryMain	1.71
13	1500	6750	94.46	94.00	Watermain	StormMain	0.46
14	1500	2000	95.30	93.98	Watermain	SanitaryMain	1.32
15	1500	2000	94.65	93.10	Watermain	SanitaryMain	1.55
16	1500	4500	94.50	93.92	Watermain	StormMain	0.58
17	1500	3750	95.66	95.36	Watermain	SanitaryMain	0.30
18	1500	2500	91.89	91.28	Watermain	SanitaryMain	0.61
19	1500	2000	92.91	91.62	Watermain	SanitaryMain	1.29
20	2000	1500	92.25	91.37	Watermain	SanitaryMain	0.88
21	6750	1500	92.76	92.25	StormMain	Watermain	0.51
22	1500	2000	97.01	96.01	Watermain	SanitaryMain	1.00
23	1500	5250	97.18	96.93	Watermain	StormMain	0.25
24	1500	4500	98.00	97.66	Watermain	StormMain	0.34
25	1500	2000	97.91	96.82	Watermain	SanitaryMain	1.09
26	1500	2000	97.71	97.15	Watermain	SanitaryMain	0.56
27	1500	2000	97.55	96.66	Watermain	SanitaryMain	0.89
28	1500	3000	97.55	97.27	Watermain	StormMain	0.28
29	1500	2000	97.62	96.91	Watermain	SanitaryMain	0.71
30	1500	2000	98.18	97.21	Watermain	SanitaryMain	0.98
31	1500	3000	98.18	97.88	Watermain	StormMain	0.30
32	3000	2000	96.96	96.29	StormMain	SanitaryMain	0.67
33	3000	2000	97.57	97.22	StormMain	SanitaryMain	0.35
34	5250	2000	96.39	95.91	StormMain	SanitaryMain	0.48
35	7500	2500	92.65	91.35	StormMain	SanitaryMain	1.30
36	6750	2000	92.76	91.83	StormMain	SanitaryMain	0.93
37	7500	2000	93.21	92.68	StormMain	SanitaryMain	0.53
38	4500	2000	92.46	92.46	StormMain	SanitaryMain	0.01
39	6750	2000	93.33	92.90	StormMain	SanitaryMain	0.43
40	4500	2000	93.46	92.94	StormMain	SanitaryMain	0.52
41	6000	2000	94.65	94.17	StormMain	SanitaryMain	0.48
42	3750	2000	95.35	94.57	StormMain	SanitaryMain	0.78
43	3000	2000	96.11	94.79	StormMain	SanitaryMain	1.32
44	3000	2000	96.20	95.79	StormMain	SanitaryMain	0.41
45	6000	4500	94.49	93.91	StormMain	StormMain	0.58
46	3000	3750	96.10	95.65	StormMain	StormMain	0.45
47	7500	1500	92.63	92.13	StormMain	Watermain	0.50
48	2000	2000	94.32	94.02	Watermain	SanitaryMain	0.30
49	6000	1500	94.67	94.17	Watermain	StormMain	0.50
50	1500	2000	97.39	96.78	Watermain	SanitaryMain	0.71
51	1500	3000	96.87	96.58	Watermain	StormMain	0.29
52	1500	2000	97.04	95.90	Watermain	SanitaryMain	1.14



CROSSINGS TABLE							
CROSS NUMBER	DIAMETER TOP	DIAMETER BOTTOM	INVERT TOP	OBVERT BOTTOM	TYPE TOP	TYPE BOTTOM	CLEARANCE (m)
7	S.L.M.	24-02-04	5TH SUBMISSION				
6	S.L.M.	23-10-06	4TH SUBMISSION				
5	S.L.M.	23-09-22	ISSUED FOR TENDER				
4	S.L.M.	23-09-06	ISSUED FOR TENDER				

NOT FOR CONSTRUCTION

No.	BY	DATE	DESCRIPTION
7	S.L.M.	24-02-04	5TH SUBMISSION
6	S.L.M.	23-10-06	4TH SUBMISSION
5	S.L.M.	23-09-22	ISSUED FOR TENDER
4	S.L.M.	23-09-06	ISSUED FOR TENDER

TOPOGRAPHIC INFORMATION
 TOPOGRAPHIC INFORMATION PROVIDED BY STANTEC GEOMATICS LTD., PROJECT No. 161614291-111, DATED MARCH 1, 2022.

SITE PLAN INFORMATION
 SITE PLAN PROVIDED BY SRN ARCHITECTS LTD., PROJECT No. S21001, DATED DECEMBER 14, 2023.

LEGAL INFORMATION
 CALCULATED DRAFT PLAN PROVIDED BY STANTEC GEOMATICS LTD., PROJECT No. 161614291-131, DATED AUGUST 9, 2023.

BENCH MARK
 ELEVATIONS ARE REFERRED TO THE CANADIAN GEODETIC VERTICAL DATUM (CGVD-1928:1978) AND ARE DERIVED FROM BENCHMARK MONUMENT No. 196530071*, HAVING A PUBLISHED ELEVATION OF 99.742 METRES

MINTO COMMUNITIES INC. BARRHAVEN TOWN CENTRE STAGE 1

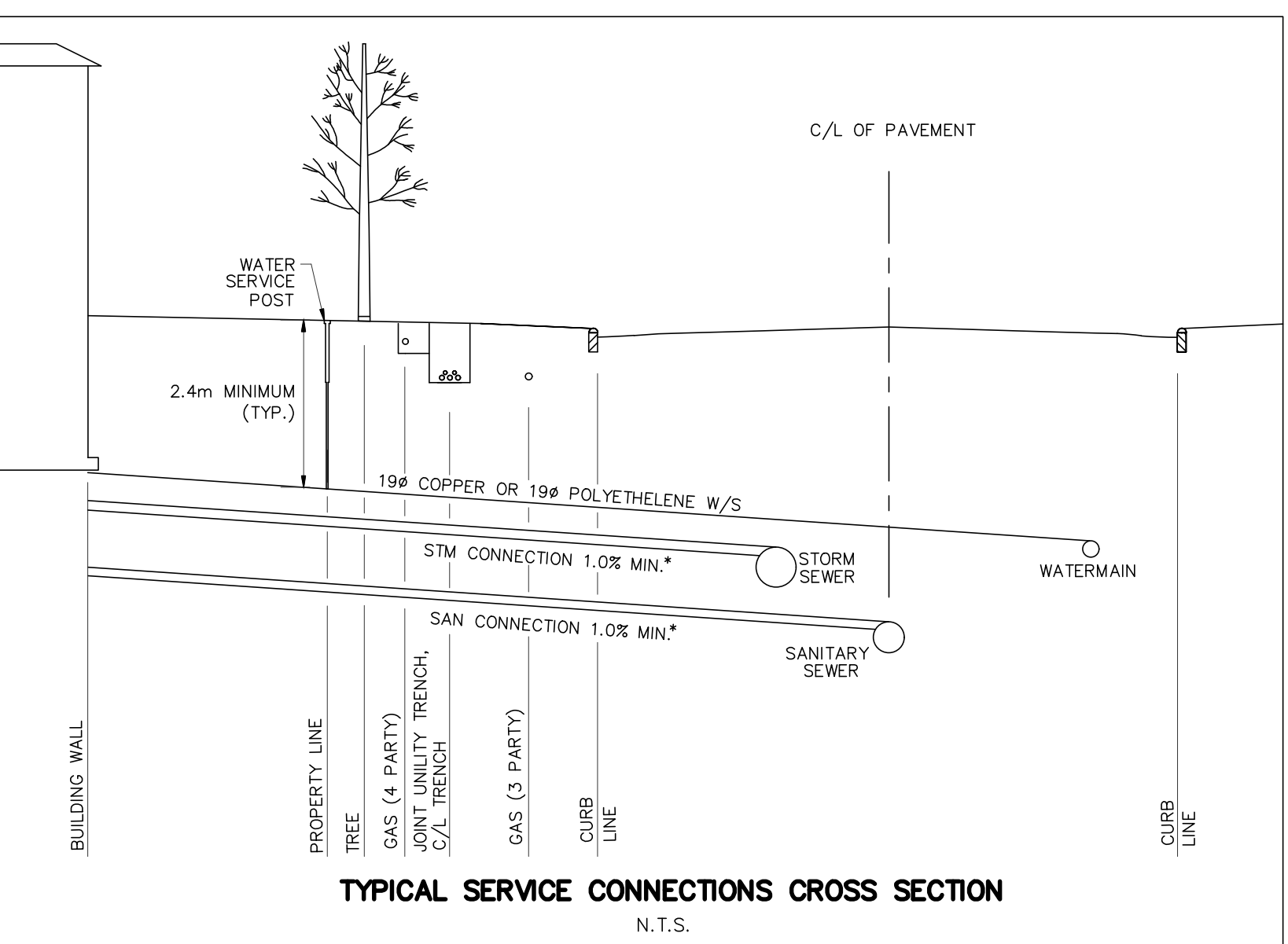
DSEL 120 Iber Road Unit 103 Slittsville, Ontario, K2S 1E9 Tel. (613) 836-0856 Fax. (613) 836-7183 www.DSEL.ca

S.L. MERRICK 100166523 2024-02-09

Ottawa 110 Laurier Ave W Ottawa, Ontario, K1P 1J1 Tel. (613) 580-2400 www.Ottawa.ca

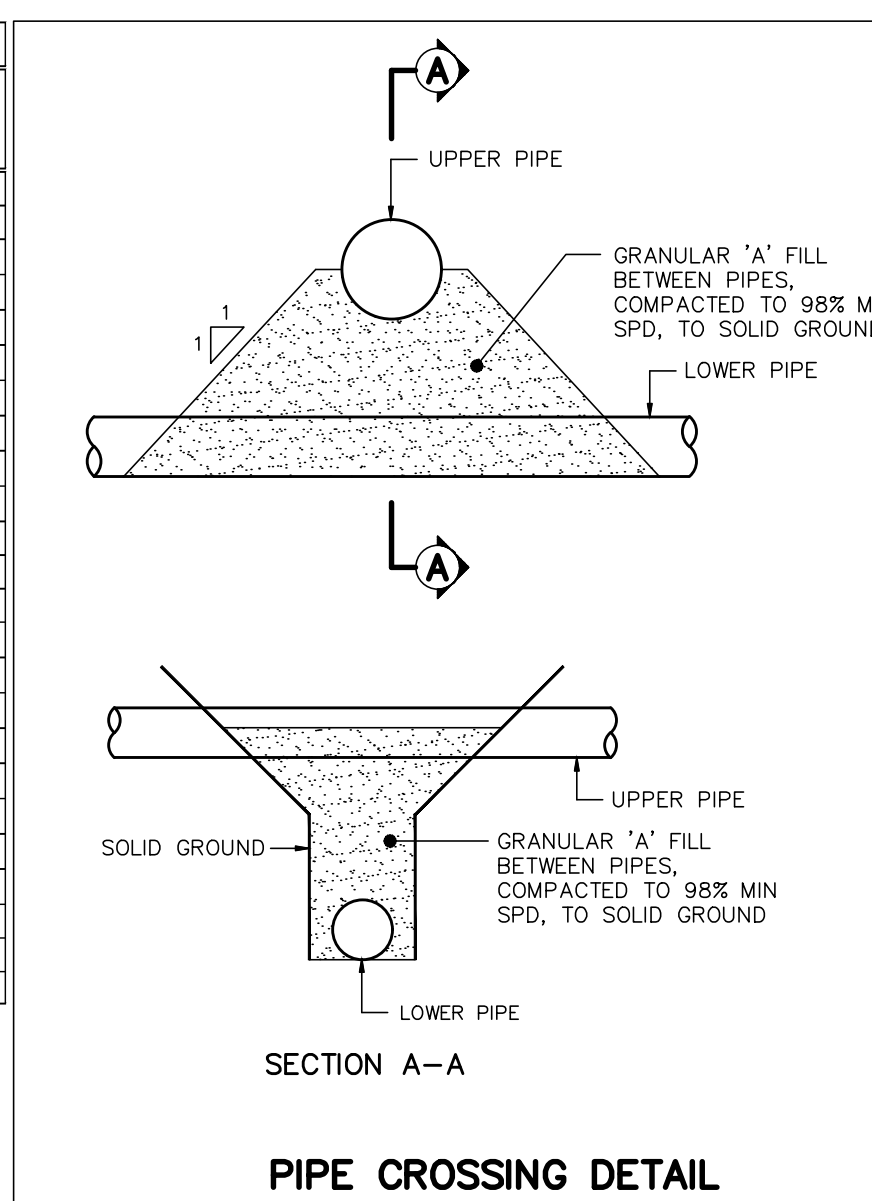
DETAILS AND TABLE

DRAWN BY: AM CHECKED BY: BC PROJECT No. 15-816
 DESIGNED BY: BC CHECKED BY: SM SCALE: N.T.S. SHEET No. 2



CATCH BASIN TABLE									
STREET NAME	CATCHBASIN ID	OUTLET PIPE		TOP OF GRATE	GRATING COVER	INVERT		INLET	OUTLET
		DIAM. (mm)	TYPE			LENGTH (m)	INV. DEPTH (m)		
BLOCK A	CB 19	200	PVC	3.13	1.38	99.69	S19 PERFORATED	-	98.31
BLOCK A	CB 17	200	PVC	6.25	1.38	100.25	S19 PERFORATED	-	98.87
BLOCK A	CB 28	250	PVC	3.86	1.38	99.58	S19 PERFORATED	98.44	98.20
BLOCK A	CB 27	200	PVC	5.13	1.38	100.58	S19 PERFORATED	-	99.20
BLOCK B	CB 22	250	PVC	15.44	1.74	98.07	S19 PERFORATED	96.56	96.33
BLOCK B	DCB 23	250	PVC	2.13	1.38	96.64	S19 PERFORATED	-	95.26
BLOCK B	CB 24	200	PVC	0.75	1.38	99.39	S19 PERFORATED	-	98.01
BLOCK B	CB 25	250	PVC	9.78	1.38	95.70	S19 PERFORATED	94.44	94.32
BLOCK B	CB 26	250	PVC	9.21	1.38	99.73	S19 PERFORATED	98.50	98.35
BLOCK B	CB 30	250	PVC	13.35	1.38	99.61	S19 PERFORATED	98.57	98.23
BLOCK B	CB 31	200	PVC	10.28	1.38	99.64	S19 PERFORATED	-	98.26
BLOCK B	CB 21	200	PVC	2.67	1.38	95.01	S19 PERFORATED	-	93.63
BLOCK B	CB 32	200	PVC	2.81	1.38	95.40	S19 PERFORATED	-	94.02
FUT. CHAPMAN MILLS	DICB 1	200	PVC	2.31	1.38	94.53	S19 PERFORATED	-	93.15
GLENROY GILBERT DRIVE	CB 9	200	PVC	1.35	1.38	100.13	S19 PERFORATED	-	98.75
GLENROY GILBERT DRIVE	CB 10	200	PVC	5.25	1.38	100.08	S19 PERFORATED	-	98.70
GLENROY GILBERT DRIVE	CB 12	200	PVC	5.25	1.38	100.20	S19 PERFORATED	-	98.82
GLENROY GILBERT DRIVE	CB 13	200	PVC	1.26	1.38	99.98	S19 PERFORATED	-	98.60
GLENROY GILBERT DRIVE	CB 14	200	PVC	5.24	1.38	99.92	S19 PERFORATED	-	98.54
GLENROY GILBERT DRIVE	DCB 15	250	PVC	1.25	1.38	99.34	S19 PERFORATED	-	97.96
GLENROY GILBERT DRIVE	DCB 16	250	PVC	5.25	1.38	99.34	S19 PERFORATED	-	97.96
RIOCAN AVENUE	CB 3	200	PVC	0.87	1.38	99.23	S19 PERFORATED	-	97.85
RIOCAN AVENUE	CB 4	200	PVC	5.29	1.38	99.23	S19 PERFORATED	-	97.85
RIOCAN AVENUE	CB 5	200	PVC	1.31	1.38	99.59	S19 PERFORATED	-	98.21
RIOCAN AVENUE	CB 6	200	PVC	5.28	1.38	99.59	S19 PERFORATED	-	98.21
RIOCAN AVENUE	CB 7	200	PVC	2.72	1.38	100.91	S19 PERFORATED	-	99.53
RIOCAN AVENUE	CB 8	200	PVC	5.60	1.38	100.91	S19 PERFORATED	-	99.53
RIOCAN AVENUE	CB 29	200	PVC	9.08	1.38	98.95	S19 PERFORATED	-	97.57

ICD TABLE		
STRUCTURE ID	ICD DIA. (mm)/ TYPE	
CICB 3	83	
CB 4	83	
CB 5	83	
CB 6	83	
CB 7	83	
CB 8	83	
CB 9	83	
CB 10	83	
CB 12	83	
CB 13	83	
CB 14	83	
DCB 15	94	
DCB 16	108	
STM108	Tempest LMF 80	
STM105	Tempest LMF 70	
STM101	Tempest LMF 95	
STM115	130	
STM126	90	
STM124	Tempest LMF 80	
STM134	210	
STM164	Tempest LMF 105	
STM159	75	
STM149	225	
DICB 1	285	



RE: PAVEMENT DESIGN
 FOR PAVEMENT STRUCTURAL DESIGN, REFER TO GEOTECHNICAL INVESTIGATION 3432 GREENBANK ROAD PREPARED BY PATERSON GROUP DATED AUGUST 27, 2021