

**SILT CONTROL FENCE**  
SCALE: N.T.S.

**SWALE DETAIL**  
SCALE: N.T.S.

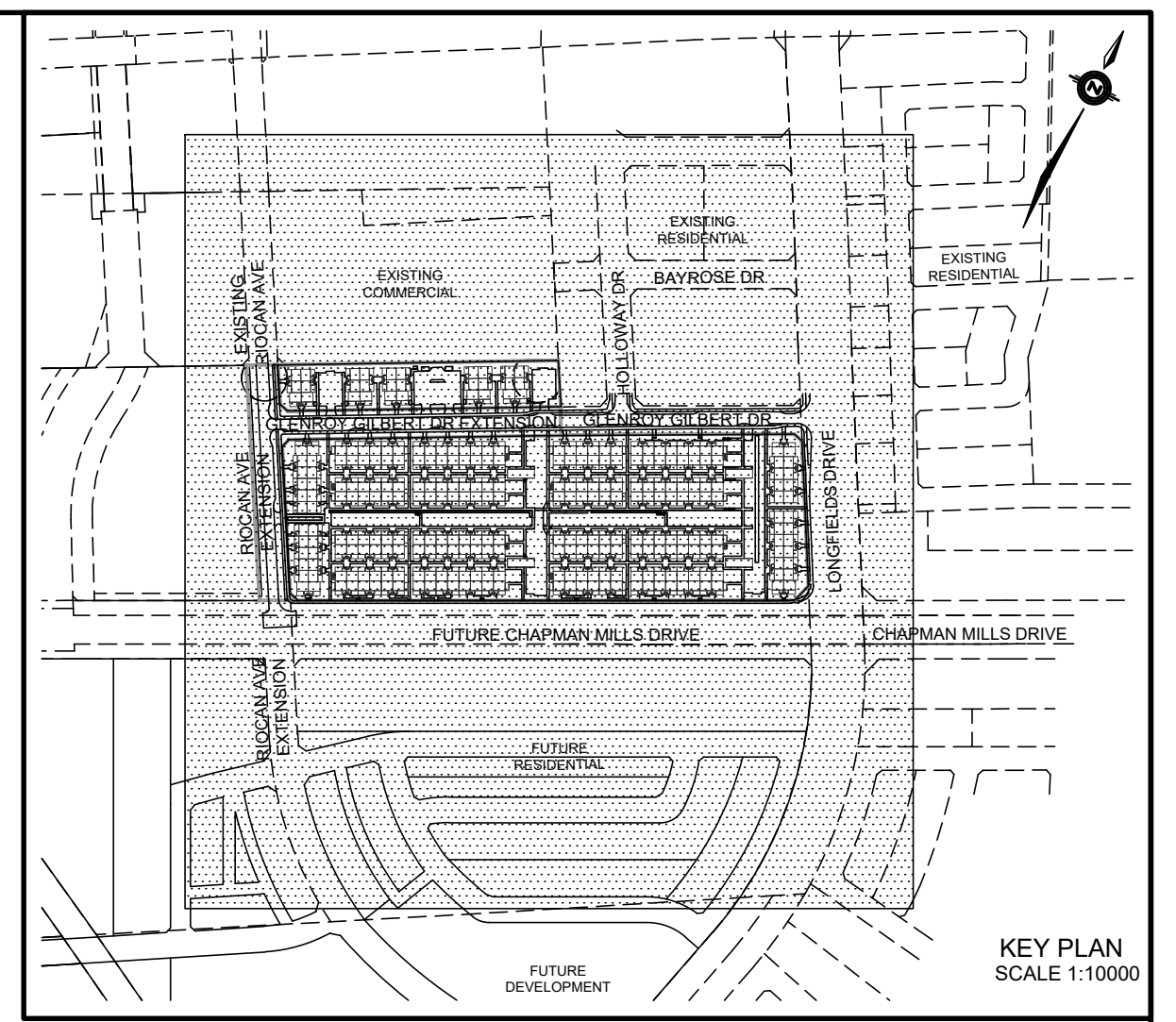
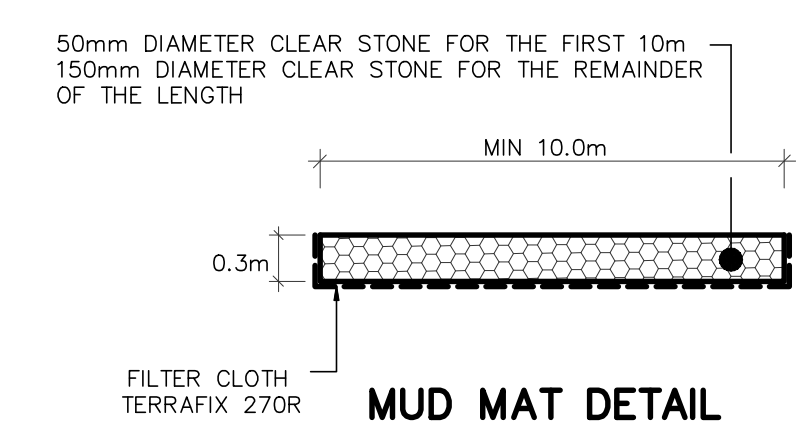
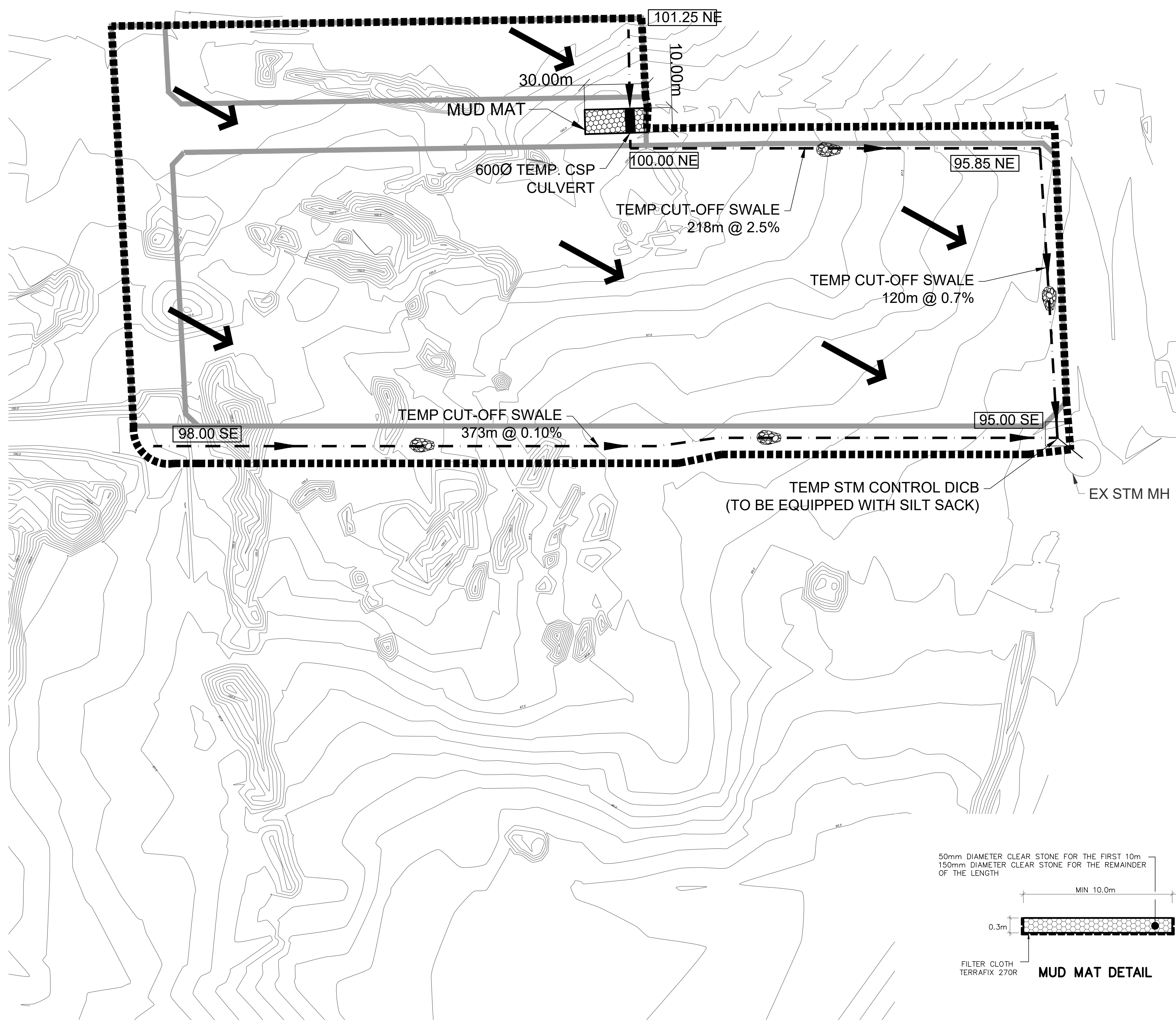
**MONITORING OF SEDIMENT AND EROSION CONTROLS**  
MONITORING AND REPORTING TO BE COMPLETED IN ACCORDANCE WITH THE MINISTRY OF THE ENVIRONMENT AND CLIMATE CHANGE (MOECC) AND RIDEAU VALLEY CONSERVATION AUTHORITY (RVCA) APPROVALS.

**MAINTENANCE PROGRAM**  
ALL DAMAGED ESC MEASURES SHOULD BE REPAIRED AND/OR REPLACEMENT WITHIN 48 HOURS OF THE INSPECTION. THE ENVIRONMENTAL MONITOR IS REQUIRED TO SUBMIT UPDATES TO THE TOWN REGION/ CONSERVATION AUTHORITY BY EMAIL IN A TIMELY MANNER. SEDIMENT SHOULD BE REMOVED FROM THE SEDIMENT CONTROL FENCING ONCE SEDIMENT HAS ACCUMULATED TO A LEVEL OF ONE-THIRD THE HEIGHT OF FENCING OR TO A HEIGHT OF 30 cm. ANY AMOUNT OF ACCUMULATED SEDIMENT SHOULD BE REMOVED PRIOR TO THE REMOVAL OF THE CONTROL MEASURES.

**SEQUENCE OF ACTIVITIES**  
THE EROSION AND SEDIMENT CONTROL MEASURES MUST BE INSTALLED IN ACCORDANCE WITH THE FOLLOWING SEQUENCE:  
- INSTALLATION OF THE SEDIMENT CONTROL FENCING WHERE INDICATED.  
- REMOVAL OF SITE VEGETATION IN ACCORDANCE WITH ALL APPLICABLE BY-LAWS.  
- CONSTRUCTION OF THE EROSION AND SEDIMENT CONTROL POND IN ACCORDANCE WITH THE DESIGN DRAWINGS.  
- REGULAR MONITORING OF THE SEDIMENT CONTROL FENCES BY THE CONTRACTOR TO VERIFY THAT THE FENCES ARE FUNCTIONING AS INTENDED.  
- REGULAR MONITORING OF THE SEDIMENT BASIN TO VERIFY THAT THE BASIN IS FUNCTIONING AS INTENDED.  
- REMOVAL OF THE EROSION AND SEDIMENT CONTROL DEVICES ONCE THE SITE HAS BEEN STABILIZED.

**SPILLS CONTROL NOTES**  
ALL CONSTRUCTION EQUIPMENT SHALL BE REFUELED, MAINTAINED AND STORED NO LESS THAN 30 METERS FROM THE WATERCOURSES, STREAMS, CREEKS, WOODLOTS AND ANY ENVIRONMENTALLY SENSITIVE AREAS, OR AS OTHERWISE SPECIFIED.  
THE CONTRACTOR MUST IMPLEMENT ALL NECESSARY MEASURES IN ORDER TO PREVENT LEAKS, DISCHARGES OR SPILLS OF POLLUTANTS, DELETERIOUS MATERIALS, OR OTHER SUCH MATERIALS OR SUBSTANCES WHICH WOULD OR COULD CAUSE AN ADVERSE IMPACT TO THE NATURAL ENVIRONMENT.  
IN THE EVENT OF A LEAK, DISCHARGE OR SPILL OF A POLLUTANT, DELETERIOUS MATERIAL OR OTHER SUCH MATERIAL OR SUBSTANCE WHICH WOULD OR COULD CAUSE AN ADVERSE IMPACT TO THE NATURAL ENVIRONMENT, THE CONTRACTOR SHALL:  
1. IMMEDIATELY NOTIFY THE APPROPRIATE FEDERAL, PROVINCIAL AND LOCAL GOVERNMENT MINISTRIES, DEPARTMENTS, AGENCIES AND AUTHORITIES OF THE INCIDENT IN ACCORDANCE WITH ALL CURRENT LAWS, LEGISLATION, ACTS, BY-LAWS, PERMITS, APPROVALS, ETC.  
2. TAKE IMMEDIATE MEASURES TO CONTAIN THE MATERIAL OR SUBSTANCE, AND TO TAKE SUCH MEASURES AS THEY DEEM APPROPRIATE TO MITIGATE AGAINST THE ANY ADVERSE IMPACTS TO THE NATURAL ENVIRONMENT.  
3. THE CONTRACT SHALL RESTORE THE AFFECTED AREA TO ORIGINAL CONDITION OR BETTER, ALL TO THE SATISFACTION OF THE AUTHORITIES HAVING JURISDICTION.

THE SILTATION CONTROL PLAN IS INTENDED TO ASSIST THE CONTRACTOR IN THE LAYOUT AND CONSTRUCTION OF THE SILTATION CONTROL FEATURES ONLY. THIS DRAWING SHALL NOT BE USED FOR CONSTRUCTION OF SITE SERVICES.



- LEGEND**
- PROPOSED SILT FENCE
  - PROPOSED SNOW FENCE
  - PHASE LIMIT
  - PROPOSED ROCK FLOW CHECK DAM (OPSD 219.210)
  - SWALE
  - MAJOR OVERLAND FLOW DIRECTION
  - EXISTING CONTOUR ELEVATION
  - 100 YEAR FLOODPLAIN
  - PROPOSED SWALE CENTERLINE GRADE

**NOT FOR CONSTRUCTION**

No.	BY	DATE	DESCRIPTION
3	S.L.M.	23-06-30	3RD SUBMISSION
2	S.L.M.	23-03-10	2ND SUBMISSION
1	S.L.M.	22-06-10	1ST SUBMISSION

**TOPOGRAPHIC INFORMATION**  
TOPOGRAPHIC INFORMATION PROVIDED BY STANTEC GEOMATICS LTD., PROJECT No. 161614291-111, DATED MARCH 1, 2022.

**SITE PLAN INFORMATION**  
SITE PLAN PROVIDED BY SRN ARCHITECTS LTD., PROJECT No. S21001, DATED JUNE 27, 2023

**LEGAL INFORMATION**  
CALCULATED DRAFT PLAN PROVIDED BY STANTEC GEOMATICS LTD., PROJECT No. 161614291-111, DATED MAY 9, 2022

**BENCH MARK**  
ELEVATIONS ARE REFERRED TO THE CANADIAN GEODETIC VERTICAL DATUM (CGVD-1928:1978) AND ARE DERIVED FROM BENCHMARK MONUMENT No. 196530071\*, HAVING A PUBLISHED ELEVATION OF 99.742 METRES

MINTO COMMUNITIES INC. BARRHAVEN TOWN CENTRE STAGE 1

**DSEL**  
120 Iber Road Unit 103  
Stittsville, Ontario, K2S 1E9  
Tel. (613) 836-0856  
Fax. (613) 836-7183  
www.DSEL.ca

**S.L. MERRICK**  
100196523  
2023-06-30  
PROVINCE OF ONTARIO  
2023-05-31-816

**Ottawa**  
110 Laurier Ave W  
Ottawa, Ontario, K1P 1J1  
Tel. (613) 580-2400  
www.Ottawa.ca

**EROSION AND SEDIMENT CONTROL PLAN STAGE 1**

DRAWN BY: AM	CHECKED BY: BC	PROJECT No. 15-816
DESIGNED BY: BC	CHECKED BY: SM	SHEET No. 11
SCALE: 1:1000		

CITY PLAN No. 18822  
CITY FILE No. D07-12-22-0104