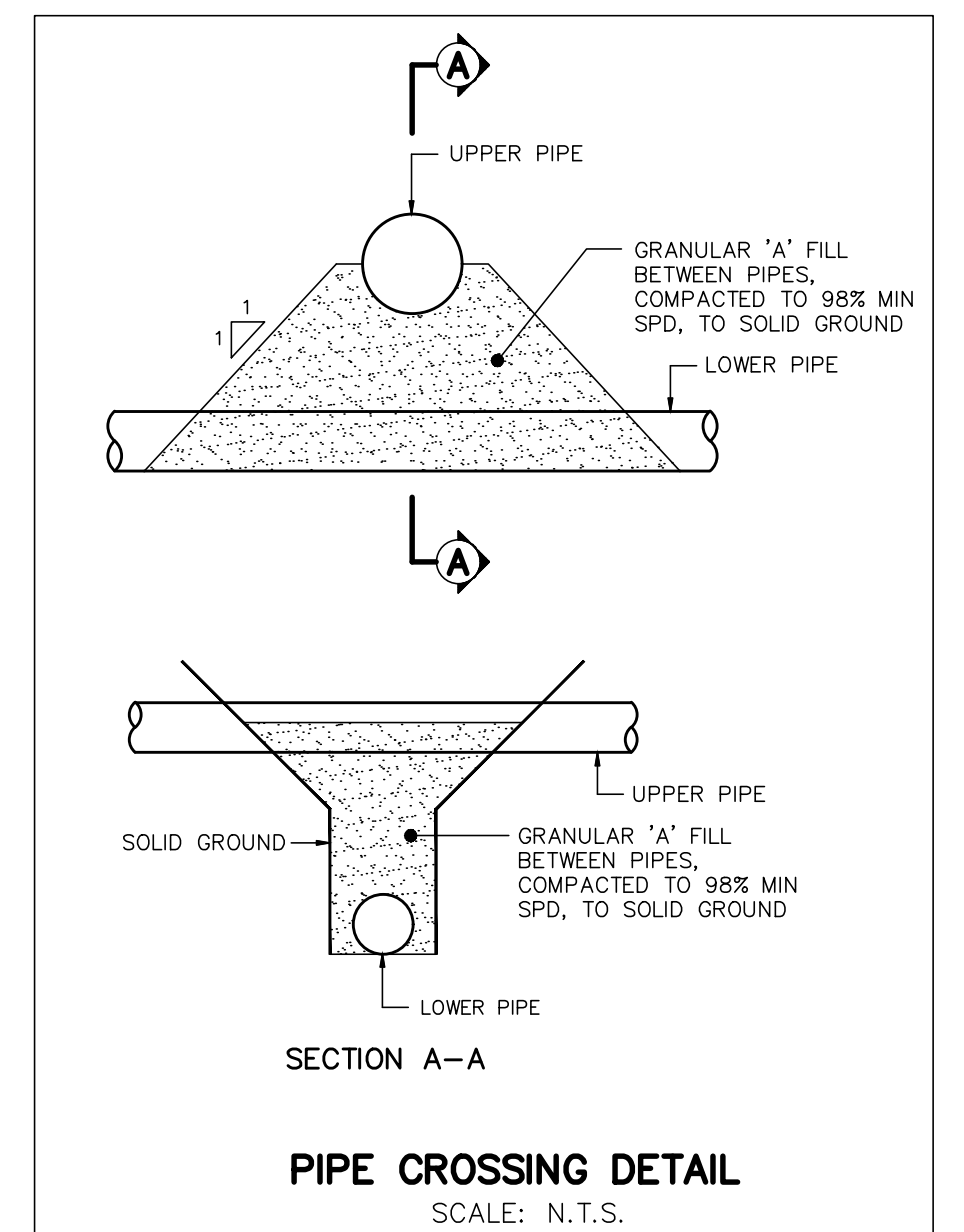
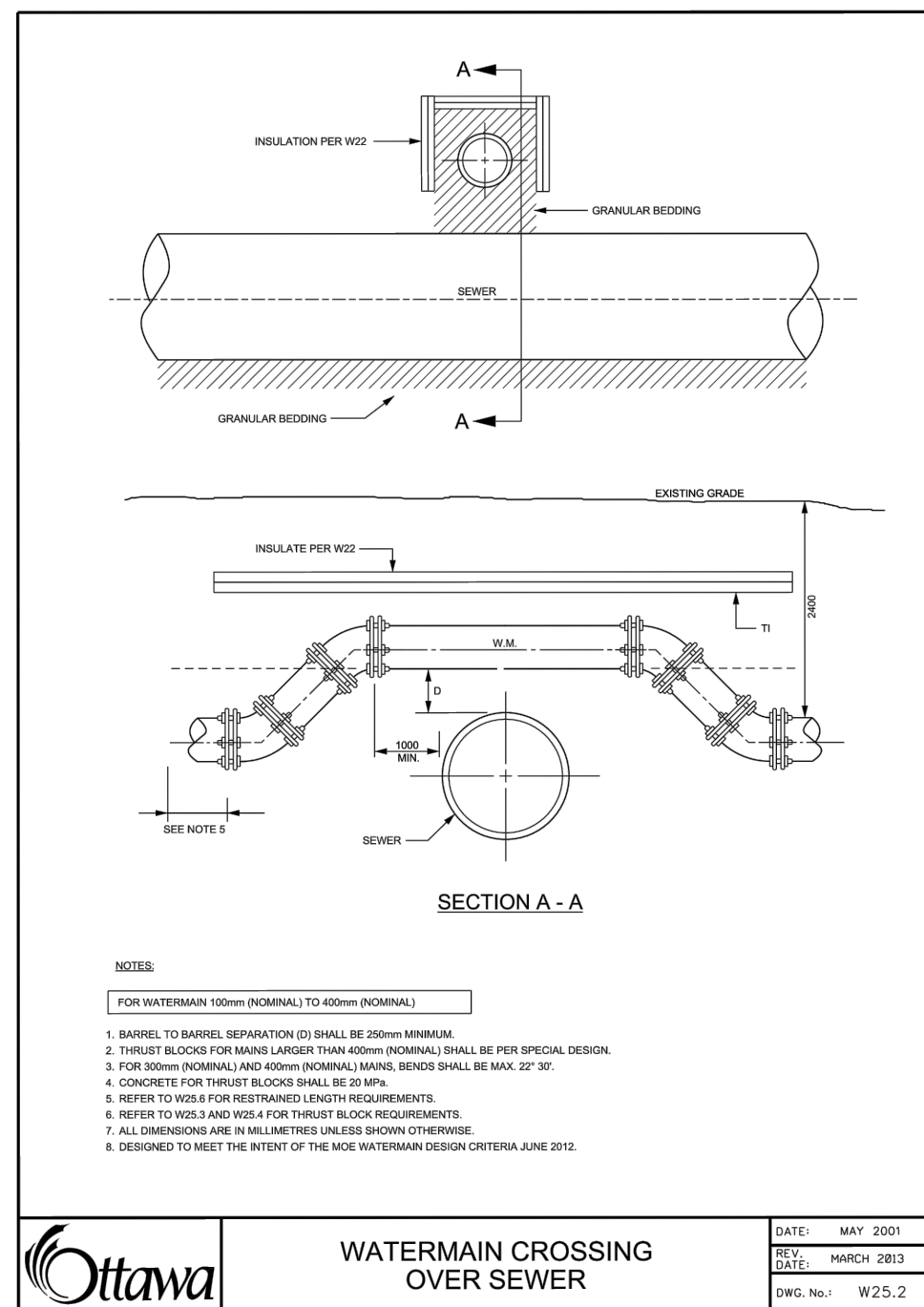


RE: PAVEMENT DESIGN
 FOR PAVEMENT STRUCTURAL DESIGN,
 REFER TO GEOTECHNICAL
 INVESTIGATION 3432 GREENBANK
 ROAD PREPARED BY PATERSON
 GROUP DATED AUGUST 27, 2021



STREET NAME	CATCHBASIN ID	OUTLET PIPE			TOP OF GRATE	GRATING COVER	INVERT		
		DIA. (mm)	TYPE	LENGTH (m)			INV. DEPTH (m)	INLET	OUTLET
BLOCK A	CB 19	200	PVC	3.13	1.38	99.69	S19 PERFORATED	-	98.31
BLOCK A	CB 17	200	PVC	6.25	1.38	100.25	S19 PERFORATED	-	98.87
BLOCK A	CB 28	250	PVC	3.86	1.38	99.58	S19 PERFORATED	98.44	98.20
BLOCK A	CB 27	200	PVC	5.13	1.38	100.58	S19 PERFORATED	-	99.20
BLOCK B	CB 22	250	PVC	15.44	1.74	98.07	S19 PERFORATED	96.56	96.33
BLOCK B	DCB 23	250	PVC	2.13	1.38	96.64	S19 PERFORATED	-	95.26
BLOCK B	CB 24	200	PVC	0.75	1.38	99.39	S19 PERFORATED	-	98.01
BLOCK B	CB 25	250	PVC	9.78	1.38	95.70	S19 PERFORATED	94.44	94.32
BLOCK B	CB 26	250	PVC	9.21	1.38	99.73	S19 PERFORATED	98.50	98.35
BLOCK B	CB 30	250	PVC	13.35	1.38	99.61	S19 PERFORATED	98.57	98.23
BLOCK B	CB 31	200	PVC	10.28	1.38	99.64	S19 PERFORATED	-	98.26
BLOCK B	CB 21	200	PVC	2.67	1.38	95.01	S19 PERFORATED	-	93.63
BLOCK B	CB 32	200	PVC	2.81	1.38	95.40	S19 PERFORATED	-	94.02
FUT. CHAPMAN MILLS	DICB 1	200	PVC	2.31	1.38	94.53	S19 PERFORATED	-	93.15
GLENROY GILBERT DRIVE	CB 9	200	PVC	1.35	1.38	100.13	S19 PERFORATED	-	98.75
GLENROY GILBERT DRIVE	CB 10	200	PVC	5.25	1.38	100.08	S19 PERFORATED	-	98.70
GLENROY GILBERT DRIVE	CB 12	200	PVC	5.25	1.38	100.20	S19 PERFORATED	-	98.82
GLENROY GILBERT DRIVE	CB 13	200	PVC	1.26	1.38	99.98	S19 PERFORATED	-	98.60
GLENROY GILBERT DRIVE	CB 14	200	PVC	5.24	1.38	99.92	S19 PERFORATED	-	98.54
GLENROY GILBERT DRIVE	DCB 15	250	PVC	1.25	1.38	99.34	S19 PERFORATED	-	97.96
GLENROY GILBERT DRIVE	DCB 16	250	PVC	5.25	1.38	99.34	S19 PERFORATED	-	97.96
RIOCAN AVENUE	CB 3	200	PVC	0.87	1.38	99.23	S19 PERFORATED	-	97.85
RIOCAN AVENUE	CB 4	200	PVC	5.29	1.38	99.23	S19 PERFORATED	-	97.85
RIOCAN AVENUE	CB 5	200	PVC	1.31	1.38	99.50	S19 PERFORATED	-	98.21
RIOCAN AVENUE	CB 6	200	PVC	5.28	1.38	99.59	S19 PERFORATED	-	98.21
RIOCAN AVENUE	CB 7	200	PVC	2.72	1.38	100.91	S19 PERFORATED	-	99.53
RIOCAN AVENUE	CB 8	200	PVC	5.60	1.38	100.91	S19 PERFORATED	-	99.53
RIOCAN AVENUE	CB 29	200	PVC	9.08	1.38	98.95	S19 PERFORATED	-	97.57

ICD TABLE		
STRUCTURE ID	ICD DIA. (mm)	TYPE
CICB 3	83	
CB 4	83	
CB 5	83	
CB 6	83	
CB 7	83	
CB 8	83	
CB 9	83	
CB 10	83	
CB 12	83	
CB 13	83	
CB 14	83	
DCB 15	94	
DCB 16	108	
STM108	Tempest LMF 80	
STM105	Tempest LMF 70	
STM101	Tempest LMF 95	
STM115	130	
STM126	90	
STM124	Tempest LMF 80	
STM134	210	
STM164	Tempest LMF 105	
STM159	75	
STM149	225	
DICB 1	285	

CROSSINGS TABLE							
CROSS NUMBER	DIAMETER TOP	DIAMETER BOTTOM	INVERT TOP	OBVERT BOTTOM	TYPE TOP	TYPE BOTTOM	CLEARANCE (m)
1	150Ø	200Ø	96.91	96.61	Watermain	SanitaryMain	0.30
2	150Ø	200Ø	96.42	94.94	Watermain	SanitaryMain	1.48
3	150Ø	375Ø	96.43	95.90	Watermain	StormMain	0.53
4	50Ø	200Ø	97.23	96.12	Watermain	SanitaryMain	1.11
5	150Ø	200Ø	95.77	95.39	Watermain	SanitaryMain	0.38
6	150Ø	200Ø	92.99	91.54	Watermain	SanitaryMain	1.45
7	450Ø	150Ø	92.99	92.49	StormMain	Watermain	0.50
8	150Ø	200Ø	93.40	93.05	Watermain	SanitaryMain	0.35
9	50Ø	200Ø	93.02	91.71	Watermain	SanitaryMain	1.31
11	200Ø	300Ø	98.03	97.78	Watermain	StormMain	0.25
12	150Ø	200Ø	94.43	92.72	Watermain	SanitaryMain	1.71
13	150Ø	675Ø	94.45	94.00	Watermain	StormMain	0.46
14	150Ø	200Ø	95.30	93.98	Watermain	SanitaryMain	1.32
15	150Ø	200Ø	94.65	93.10	Watermain	SanitaryMain	1.55
16	150Ø	450Ø	94.50	93.92	Watermain	StormMain	0.58
17	150Ø	375Ø	95.66	95.36	Watermain	StormMain	0.30
18	150Ø	250Ø	91.89	91.28	Watermain	SanitaryMain	0.61
19	150Ø	200Ø	92.91	91.62	Watermain	SanitaryMain	1.29
20	200Ø	150Ø	92.25	91.37	Watermain	SanitaryMain	0.88
21	675Ø	150Ø	92.76	92.25	StormMain	Watermain	0.51
22	150Ø	200Ø	97.01	96.01	Watermain	SanitaryMain	1.00
23	150Ø	525Ø	97.18	96.93	Watermain	StormMain	0.25
24	150Ø	450Ø	98.00	97.66	Watermain	StormMain	0.34
25	150Ø	200Ø	97.91	96.82	Watermain	SanitaryMain	1.09
26	150Ø	200Ø	97.71	97.15	Watermain	SanitaryMain	0.56
27	150Ø	200Ø	97.55	96.66	Watermain	SanitaryMain	0.89
28	150Ø	300Ø	97.55	97.27	Watermain	StormMain	0.28
29	150Ø	200Ø	97.62	96.91	Watermain	SanitaryMain	0.71
30	150Ø	200Ø	98.18	97.21	Watermain	SanitaryMain	0.98
31	150Ø	300Ø	98.18	97.88	Watermain	StormMain	0.30
32	300Ø	200Ø	96.96	96.29	StormMain	SanitaryMain	0.67
33	300Ø	200Ø	97.57	97.22	StormMain	SanitaryMain	0.35
34	525Ø	200Ø	96.39	95.91	StormMain	SanitaryMain	0.48
35	750Ø	250Ø	92.65	91.35	StormMain	SanitaryMain	1.30
36	675Ø	200Ø	92.76	91.83	StormMain	SanitaryMain	0.93
37	750Ø	200Ø	93.21	92.68	StormMain	SanitaryMain	0.53
38	450Ø	200Ø	93.07	92.46	StormMain	SanitaryMain	0.61
39	675Ø	200Ø	93.33	92.90	StormMain	SanitaryMain	0.43
40	450Ø	200Ø	93.46	92.94	StormMain	SanitaryMain	0.52
41	600Ø	200Ø	94.65	94.17	StormMain	SanitaryMain	0.48
42	375Ø	200Ø	95.35	94.57	StormMain	SanitaryMain	0.78
43	300Ø	200Ø	96.11	94.79	StormMain	SanitaryMain	1.32
44	300Ø	200Ø	96.20	95.79	StormMain	SanitaryMain	0.41
45	600Ø	450Ø	94.49	93.91	StormMain	StormMain	0.58
46	300Ø	375Ø	96.10	95.65	StormMain	StormMain	0.45
47	750Ø	150Ø	92.63	92.13	StormMain	Watermain	0.50
48	200Ø	200Ø	94.32	94.02	Watermain	SanitaryMain	0.30
49	600Ø	150Ø	94.67	94.17	Watermain	StormMain	0.50
50	150Ø	200Ø	97.39	96.68	Watermain	SanitaryMain	0.71
51	150Ø	300Ø	96.87	96.58	Watermain	StormMain	0.29
52	150Ø	200Ø	97.04	95.90	Watermain	SanitaryMain	1.14

NOT FOR CONSTRUCTION

No.	BY	DATE	DESCRIPTION
7	S.L.M.	24-02-08	SUBMISSION 5
6	S.L.M.	23-10-06	ISSUED FOR TENDER
5	S.L.M.	23-09-22	ISSUED FOR TENDER
4	S.L.M.	23-09-06	ISSUED FOR TENDER

TOPOGRAPHIC INFORMATION
 TOPOGRAPHIC INFORMATION PROVIDED BY STANTEC GEOMATICS LTD., PROJECT No. 161614291-111, DATED MARCH 1, 2022.

SITE PLAN INFORMATION
 SITE PLAN PROVIDED BY SRN ARCHITECTS LTD., PROJECT No. S21001, DATED OCTOBER 5, 2023.

LEGAL INFORMATION
 CALCULATED DRAFT PLAN PROVIDED BY STANTEC GEOMATICS LTD., PROJECT No. 161614291-131, DATED AUGUST 9, 2023.

BENCH MARK
 ELEVATIONS ARE REFERRED TO THE CANADIAN GEODETIC VERTICAL DATUM (CGVD-1928:1978) AND ARE DERIVED FROM BENCHMARK MONUMENT No. 196530071*, HAVING A PUBLISHED ELEVATION OF 99.742 METRES

MINTO COMMUNITIES INC. BARRHAVEN TOWN CENTRE
 GLENROY GILBERT DRIVE RIOCAN AVENUE & CHAPMAN MILLS DRIVE EXTENSION

DSEL 120 Iber Road Unit 103
 Stittsville, Ontario, K2S 1E9
 Tel. (613) 836-0856
 Fax. (613) 836-7183
 www.DSEL.ca

S. L. MERRICK
 100186523
 2024.07.09
 PROFESSIONAL ENGINEER
 PROVINCE OF ONTARIO

Ottawa 110 Laurier Ave W
 Ottawa, Ontario, K1P 1J1
 Tel. (613) 580-2400
 www.Ottawa.ca

CITY ROW DETAILS AND TABLE

DRAWN BY: AM	CHECKED BY: BC	PROJECT No. 15-816
DESIGNED BY: BC	CHECKED BY: SM	SHEET No. 3
SCALE: N.T.S.		

CITY PLAN No. 18822
 CITY FILE No. D07-12-22-0104