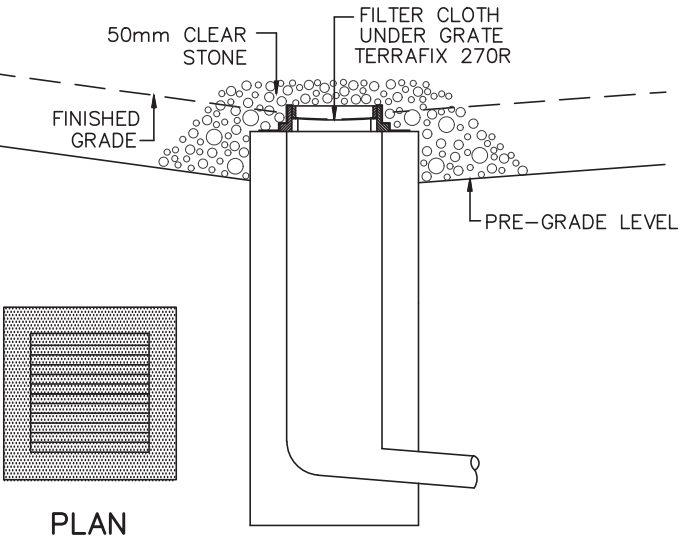
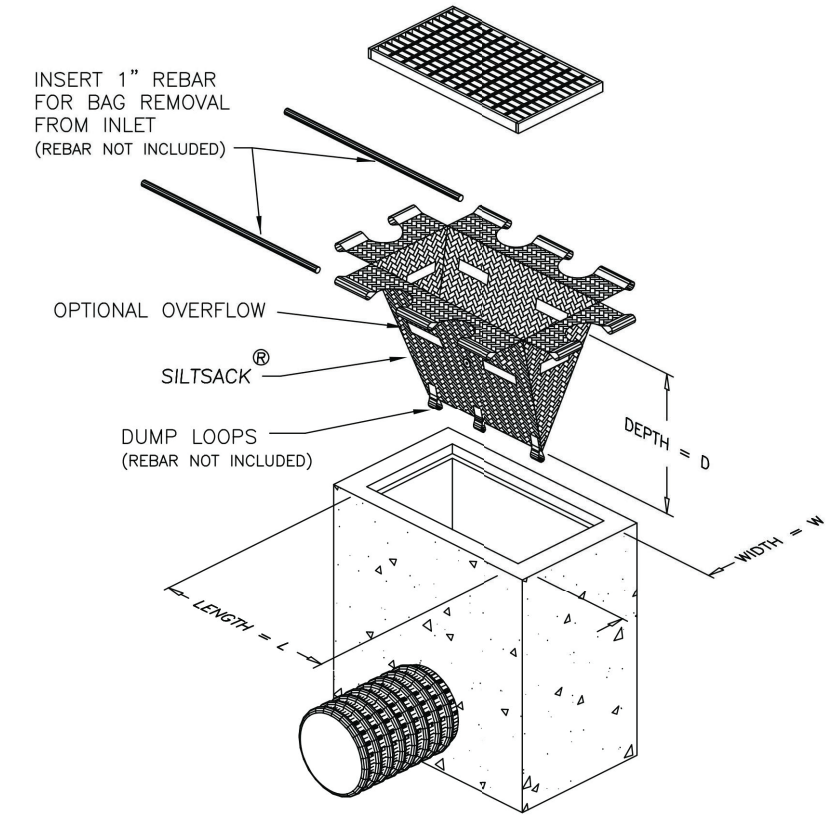


**DETAIL FOR STREET CB SILT PROTECTION**  
SCALE: NTS



**DETAIL FOR RLCB/DICB SILT PROTECTION**  
SCALE: NTS

**STORM DRAIN INLET PROTECTION**



**EROSION AND SEDIMENT CONTROL NOTES:**

PRIOR TO TOPSOIL STRIPPING, EARTHWORKS, OR UNDERGROUND CONSTRUCTION, EROSION AND SEDIMENT CONTROLS SHALL BE IMPLEMENTED TO THE SATISFACTION OF THE AUTHORITY HAVING JURISDICTION.

SEDIMENT CONTROL FENCE SHALL BE CLEANED AND MAINTAINED IN GOOD REPAIR BY CONTRACTOR.

SEDIMENT CONTROL FENCE TO REMAIN IN PLACE UNTIL THE WORKING AREA HAS BEEN STABILIZED AND REVEGETATED.

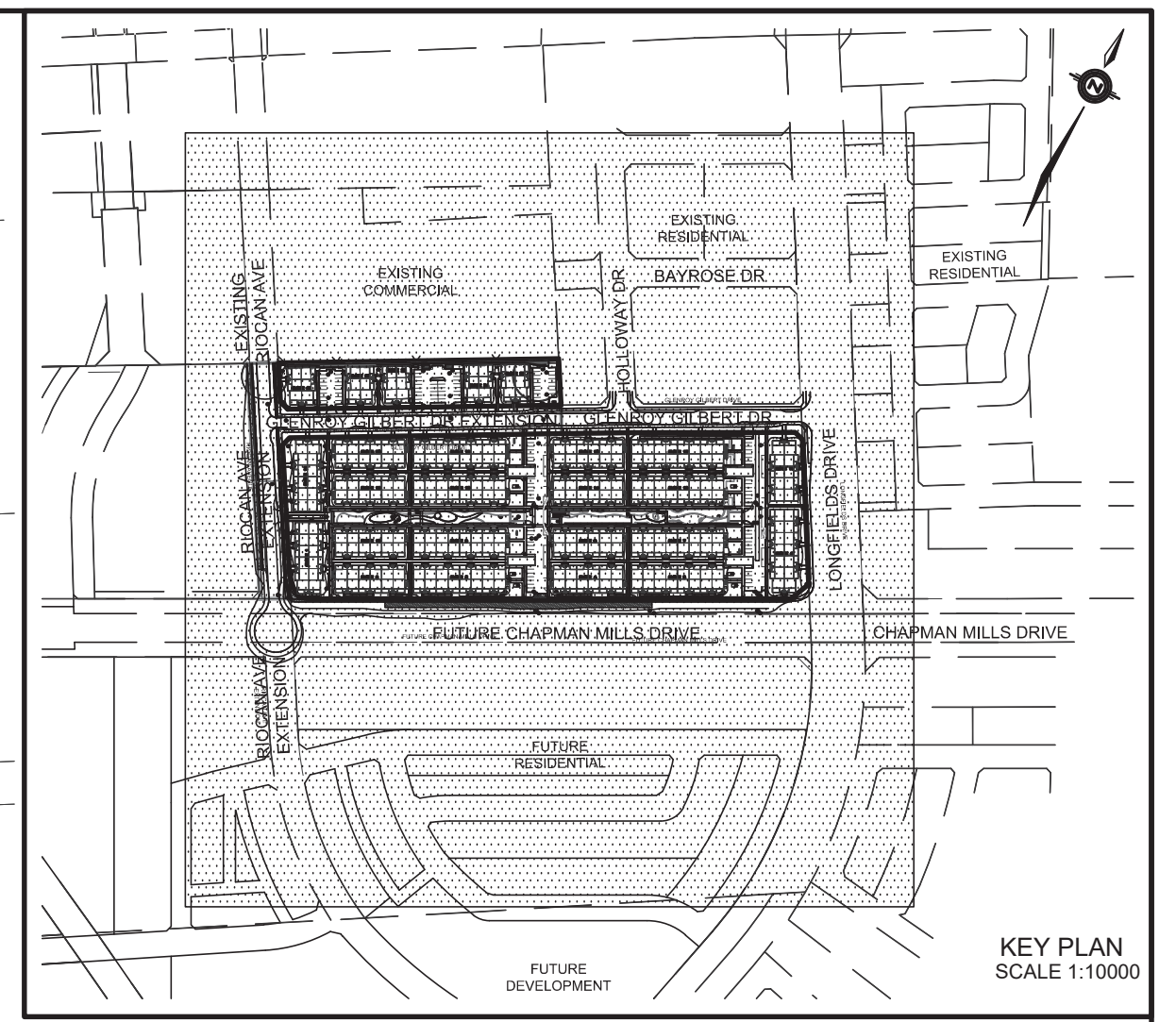
ACCUMULATED SEDIMENT TO BE REMOVED OFF SITE PRIOR TO THE REMOVAL OF SEDIMENT CONTROL FENCE.

EROSION AND SEDIMENT CONTROL MEASURES MAY BE MODIFIED IN THE FIELD AT THE DISCRETION OF THE CITY OF OTTAWA SITE INSPECTOR OR CONSERVATION AUTHORITY PERSONNEL.

CONTRACTOR MUST USE BEST MANAGEMENT PRACTICES (BMPs) FOR EROSION AND SEDIMENT CONTROL.

THE SILTATION CONTROL PLAN IS INTENDED TO ASSIST THE CONTRACTOR IN THE LAYOUT AND CONSTRUCTION OF THE SILTATION CONTROL FEATURES ONLY. THIS DRAWING SHALL NOT BE USED FOR CONSTRUCTION OF SITE SERVICES.

**MONITORING OF SEDIMENT AND EROSION CONTROLS**  
MONITORING AND REPORTING TO BE COMPLETED IN ACCORDANCE WITH THE MINISTRY OF THE ENVIRONMENT AND CLIMATE CHANGE (MOECC) AND RIDEAU VALLEY CONSERVATION AUTHORITY (RVCA) APPROVALS.  
**MAINTENANCE PROGRAM**  
ALL DAMAGED ESC MEASURES SHOULD BE REPAIRED AND/OR REPLACEMENT WITHIN 48 HOURS OF THE INSPECTION.  
THE ENVIRONMENTAL MONITOR IS REQUIRED TO SUBMIT UPDATES TO THE TOWN/ REGION/ CONSERVATION AUTHORITY BY EMAIL IN A TIMELY MANNER.  
SEDIMENT SHOULD BE REMOVED FROM THE SEDIMENT CONTROL FENCING ONCE SEDIMENT HAS ACCUMULATED TO A LEVEL OF ONE-THIRD THE HEIGHT OF FENCING OR TO A HEIGHT OF 30 cm. ANY AMOUNT OF ACCUMULATED SEDIMENT SHOULD BE REMOVED PRIOR TO THE REMOVAL OF THE CONTROL MEASURES.



**LEGEND**

- PROPOSED SILT FENCE
- PROPOSED SNOW FENCE
- PROPOSED ROCK FLOW CHECK DAM
- PROPOSED STRAW BALE BARRIER
- PROPOSED STRAW BALE BARRIER WITH FILTER CLOTH
- SILTSACK FOR EXISTING STRUCTURE
- PROPOSED RIP RAP TREATMENT
- DITCH AND CULVERT
- MAJOR OVERLAND FLOW DIRECTION

**NOT FOR CONSTRUCTION**

No.	BY	DATE	DESCRIPTION
8	S.L.M.	24-03-18	UPDATED LEGAL LINES
7	S.L.M.	24-02-09	5TH SUBMISSION
6	S.L.M.	23-10-06	4TH SUBMISSION
5	S.L.M.	23-09-22	ISSUED FOR TENDER

**TOPOGRAPHIC INFORMATION**  
TOPOGRAPHIC INFORMATION PROVIDED BY STANTEC GEOMATICS LTD., PROJECT No. 161614291-111, DATED MARCH 1, 2022.

**SITE PLAN INFORMATION**  
SITE PLAN PROVIDED BY SRN ARCHITECTS LTD., PROJECT No. S21001, DATED DECEMBER 14, 2023.

**LEGAL INFORMATION**  
CALCULATED DRAFT PLAN PROVIDED BY STANTEC GEOMATICS LTD., PROJECT No. 161614291-132, RECEIVED MARCH 13, 2024.

**BENCH MARK**  
ELEVATIONS ARE REFERRED TO THE CANADIAN GEODETIC VERTICAL DATUM (CGVD-1928:1978) AND ARE DERIVED FROM BENCHMARK MONUMENT No. 196530071\*, HAVING A PUBLISHED ELEVATION OF 99.742 METRES.

MINTO COMMUNITIES INC. BARRHAVEN TOWN CENTRE STAGE 1

**DSEL** 120 Iber Road Unit 103  
Stittsville, Ontario, K2S 1E9  
Tel. (613) 836-0856  
Fax. (613) 836-7183  
www.DSEL.ca

**S. L. MERRICK**  
100156523  
PROFESSOR OF ENGINEERING  
PROVINCE OF ONTARIO

**Ottawa** 110 Laurier Ave W  
Ottawa, Ontario, K1P 1J1  
Tel. (613) 580-2400  
www.Ottawa.ca

**EROSION AND SEDIMENT CONTROL PLAN STAGE 2**

DRAWN BY: AM	CHECKED BY: BC	PROJECT No. 15-816
DESIGNED BY: BC	CHECKED BY: SM	SHEET No. 13
SCALE: 1:1000		

**APPROVED**  
By Lily Xu at 12:17 pm, Apr 03, 2024

*Lily Xu*

**LILY XU, MCIP, RPP**  
MANAGER, DEVELOPMENT REVIEW SOUTH  
PLANNING, INFRASTRUCTURE & ECONOMIC  
DEVELOPMENT DEPARTMENT, CITY OF OTTAWA

CITY PLAN No. 18822  
CITY FILE No. D07-12-22-0104