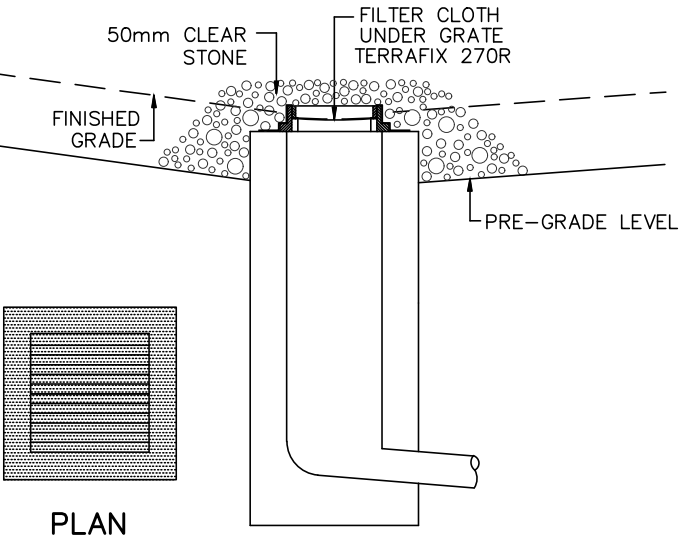
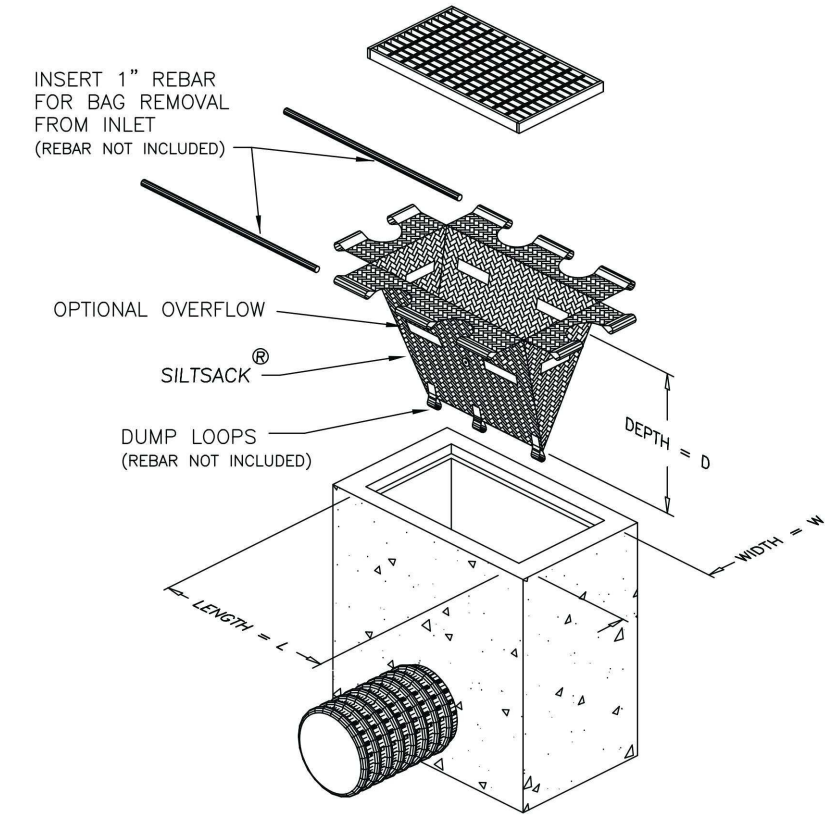


**DETAIL FOR STREET CB SILT PROTECTION**  
SCALE: NTS



**DETAIL FOR RLCB/DICB SILT PROTECTION**  
SCALE: NTS

**STORM DRAIN INLET PROTECTION**



**EROSION AND SEDIMENT CONTROL NOTES:**

PRIOR TO TOPSOIL STRIPPING, EARTHWORKS, OR UNDERGROUND CONSTRUCTION, EROSION AND SEDIMENT CONTROLS SHALL BE IMPLEMENTED TO THE SATISFACTION OF THE AUTHORITY HAVING JURISDICTION.

SEDIMENT CONTROL FENCE SHALL BE CLEANED AND MAINTAINED IN GOOD REPAIR BY CONTRACTOR.

SEDIMENT CONTROL FENCE TO REMAIN IN PLACE UNTIL THE WORKING AREA HAS BEEN STABILIZED AND REVEGETATED.

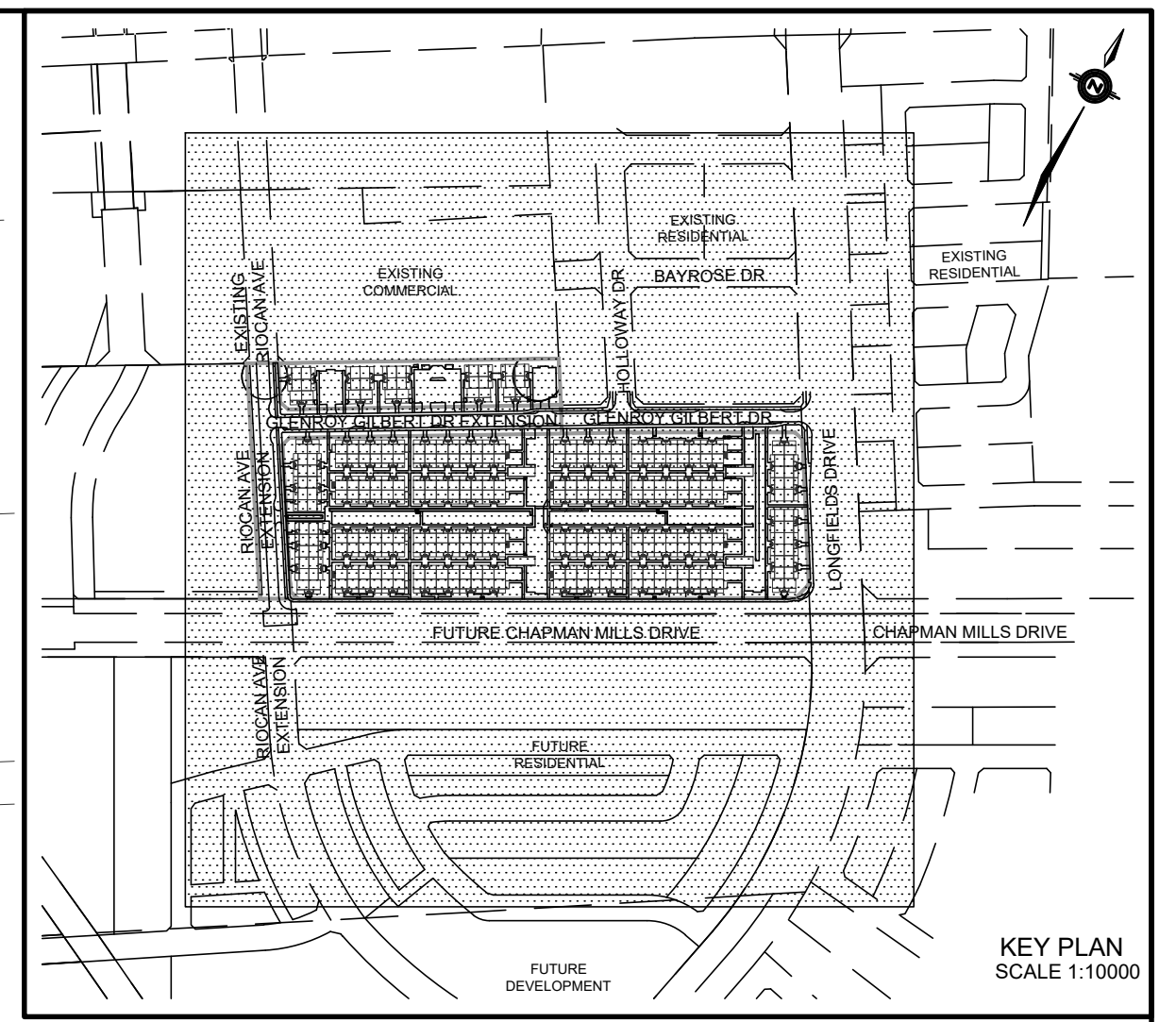
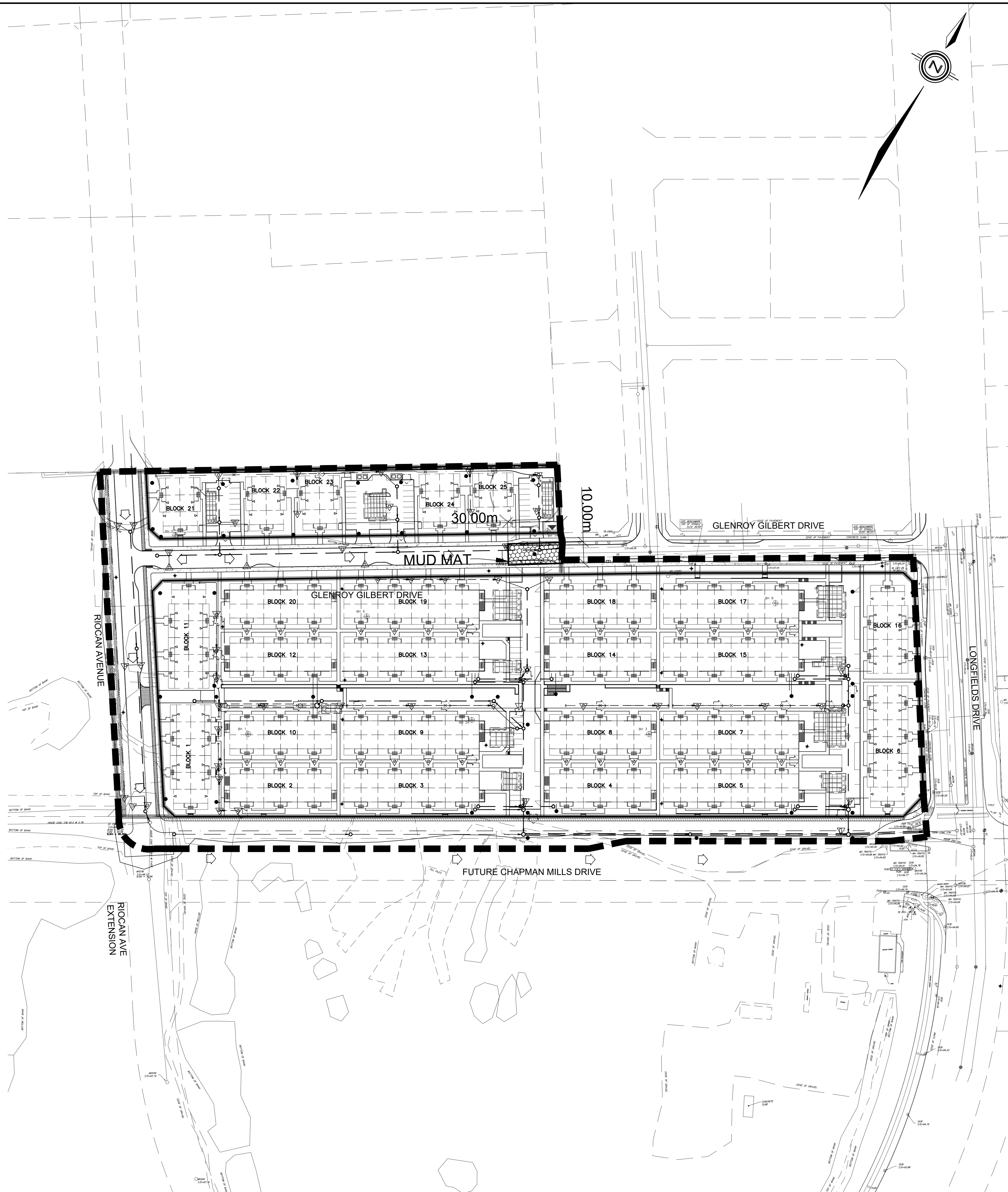
ACCUMULATED SEDIMENT TO BE REMOVED OFF SITE PRIOR TO THE REMOVAL OF SEDIMENT CONTROL FENCE.

EROSION AND SEDIMENT CONTROL MEASURES MAY BE MODIFIED IN THE FIELD AT THE DISCRETION OF THE CITY OF OTTAWA SITE INSPECTOR OR CONSERVATION AUTHORITY PERSONNEL.

CONTRACTOR MUST USE BEST MANAGEMENT PRACTICES (BMPs) FOR EROSION AND SEDIMENT CONTROL.

THE SILTATION CONTROL PLAN IS INTENDED TO ASSIST THE CONTRACTOR IN THE LAYOUT AND CONSTRUCTION OF THE SILTATION CONTROL FEATURES ONLY. THIS DRAWING SHALL NOT BE USED FOR CONSTRUCTION OF SITE SERVICES.

**MONITORING OF SEDIMENT AND EROSION CONTROLS**  
MONITORING AND REPORTING TO BE COMPLETED IN ACCORDANCE WITH THE MINISTRY OF THE ENVIRONMENT AND CLIMATE CHANGE (MOECC) AND RIDEAU VALLEY CONSERVATION AUTHORITY (RVCA) APPROVALS.  
**MAINTENANCE PROGRAM**  
ALL DAMAGED ESC MEASURES SHOULD BE REPAIRED AND/OR REPLACEMENT WITHIN 48 HOURS OF THE INSPECTION.  
THE ENVIRONMENTAL MONITOR IS REQUIRED TO SUBMIT UPDATES TO THE TOWN/ REGION/ CONSERVATION AUTHORITY BY EMAIL IN A TIMELY MANNER.  
SEDIMENT SHOULD BE REMOVED FROM THE SEDIMENT CONTROL FENCING ONCE SEDIMENT HAS ACCUMULATED TO A LEVEL OF ONE-THIRD THE HEIGHT OF FENCING OR TO A HEIGHT OF 30 cm. ANY AMOUNT OF ACCUMULATED SEDIMENT SHOULD BE REMOVED PRIOR TO THE REMOVAL OF THE CONTROL MEASURES.



KEY PLAN  
SCALE 1:10000

**LEGEND**

PROPOSED SILT FENCE	---
PROPOSED SNOW FENCE	---
PROPOSED ROCK FLOW CHECK DAM	
PROPOSED STRAW BALE BARRIER	
PROPOSED STRAW BALE BARRIER WITH FILTER CLOTH	
SILTSACK FOR EXISTING STRUCTURE	
PROPOSED RIP RAP TREATMENT	
DITCH AND CULVERT	
MAJOR OVERLAND FLOW DIRECTION	

**NOT FOR CONSTRUCTION**

3	S.L.M.	23-06-30	3RD SUBMISSION
2	S.L.M.	23-03-10	2ND SUBMISSION
1	S.L.M.	22-06-10	1ST SUBMISSION
No.	BY	DATE	DESCRIPTION

**TOPOGRAPHIC INFORMATION**  
TOPOGRAPHIC INFORMATION PROVIDED BY STANTEC GEOMATICS LTD., PROJECT No. 161614291-111, DATED MARCH 1, 2022.

**SITE PLAN INFORMATION**  
SITE PLAN PROVIDED BY SRN ARCHITECTS LTD., PROJECT No. S21001, DATED JUNE 27, 2023

**LEGAL INFORMATION**  
CALCULATED DRAFT PLAN PROVIDED BY STANTEC GEOMATICS LTD., PROJECT No. 161614291-111, DATED MAY 9, 2022

**BENCH MARK**  
ELEVATIONS ARE REFERRED TO THE CANADIAN GEODETIC VERTICAL DATUM (CGVD-1928:1978) AND ARE DERIVED FROM BENCHMARK MONUMENT No. 196530071\*, HAVING A PUBLISHED ELEVATION OF 99.742 METRES

MINTO COMMUNITIES INC. BARRHAVEN TOWN CENTRE STAGE 1

**DSEL** LICENSED PROFESSIONAL ENGINEER  
S. L. MERRICK 100186523  
2023-06-30  
PROVINCE OF ONTARIO  
120 Iber Road Unit 103  
Stittsville, Ontario, K2S 1E9  
Tel. (613) 836-0856  
Fax. (613) 836-7183  
www.DSEL.ca

Ottawa  
110 Laurier Ave W  
Ottawa, Ontario, K1P 1J1  
Tel. (613) 580-2400  
www.Ottawa.ca

**EROSION AND SEDIMENT CONTROL PLAN STAGE 2**

DRAWN BY: AM	CHECKED BY: BC	PROJECT No. 15-816
DESIGNED BY: BC	CHECKED BY: SM	SHEET No. 12
SCALE: 1:1000		

CITY PLAN No. 18822  
CITY FILE No. D07-12-22-0104