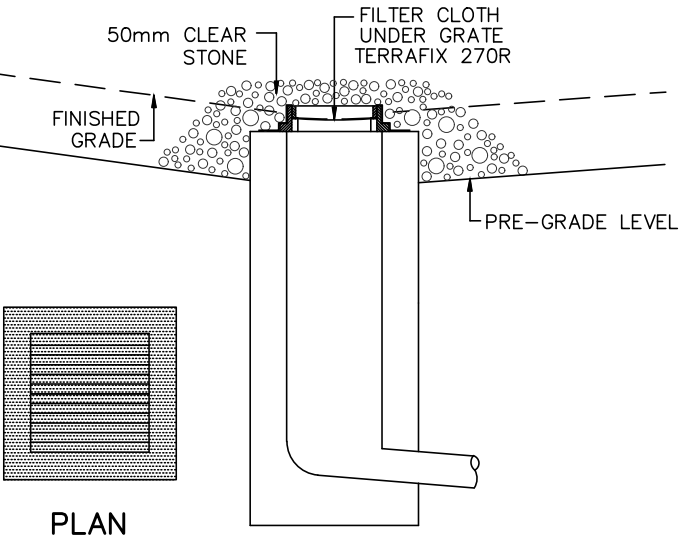
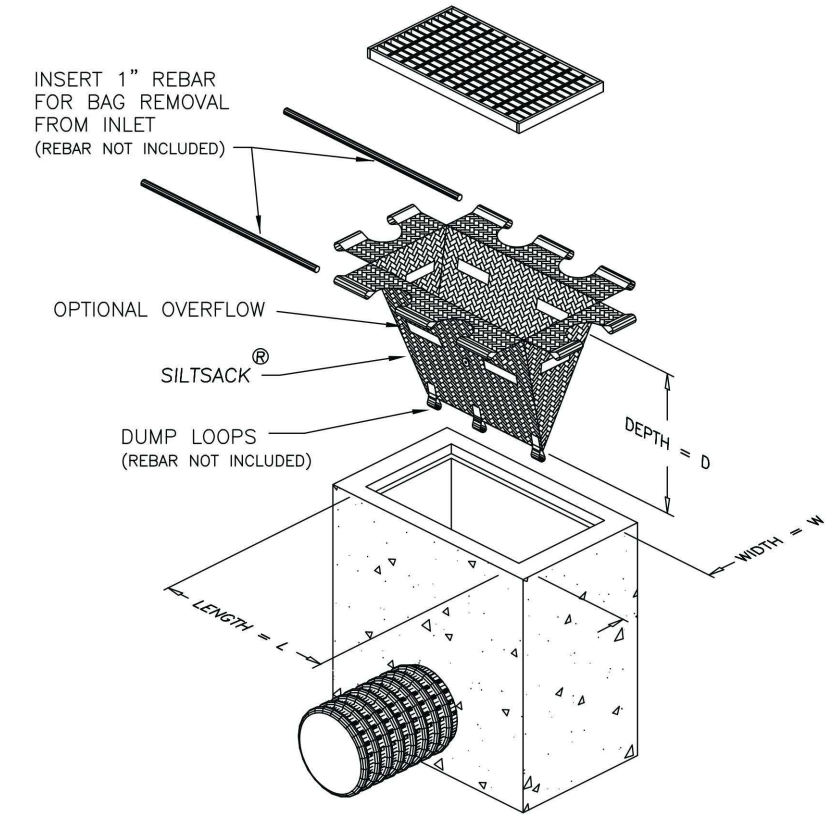


DETAIL FOR STREET CB SILT PROTECTION
SCALE: NTS



DETAIL FOR RLCB/DICB SILT PROTECTION
SCALE: NTS

STORM DRAIN INLET PROTECTION



EROSION AND SEDIMENT CONTROL NOTES:

PRIOR TO TOPSOIL STRIPPING, EARTHWORKS, OR UNDERGROUND CONSTRUCTION, EROSION AND SEDIMENT CONTROLS SHALL BE IMPLEMENTED TO THE SATISFACTION OF THE AUTHORITY HAVING JURISDICTION.

SEDIMENT CONTROL FENCE SHALL BE CLEANED AND MAINTAINED IN GOOD REPAIR BY CONTRACTOR.

SEDIMENT CONTROL FENCE TO REMAIN IN PLACE UNTIL THE WORKING AREA HAS BEEN STABILIZED AND REVEGETATED.

ACCUMULATED SEDIMENT TO BE REMOVED OFF SITE PRIOR TO THE REMOVAL OF SEDIMENT CONTROL FENCE.

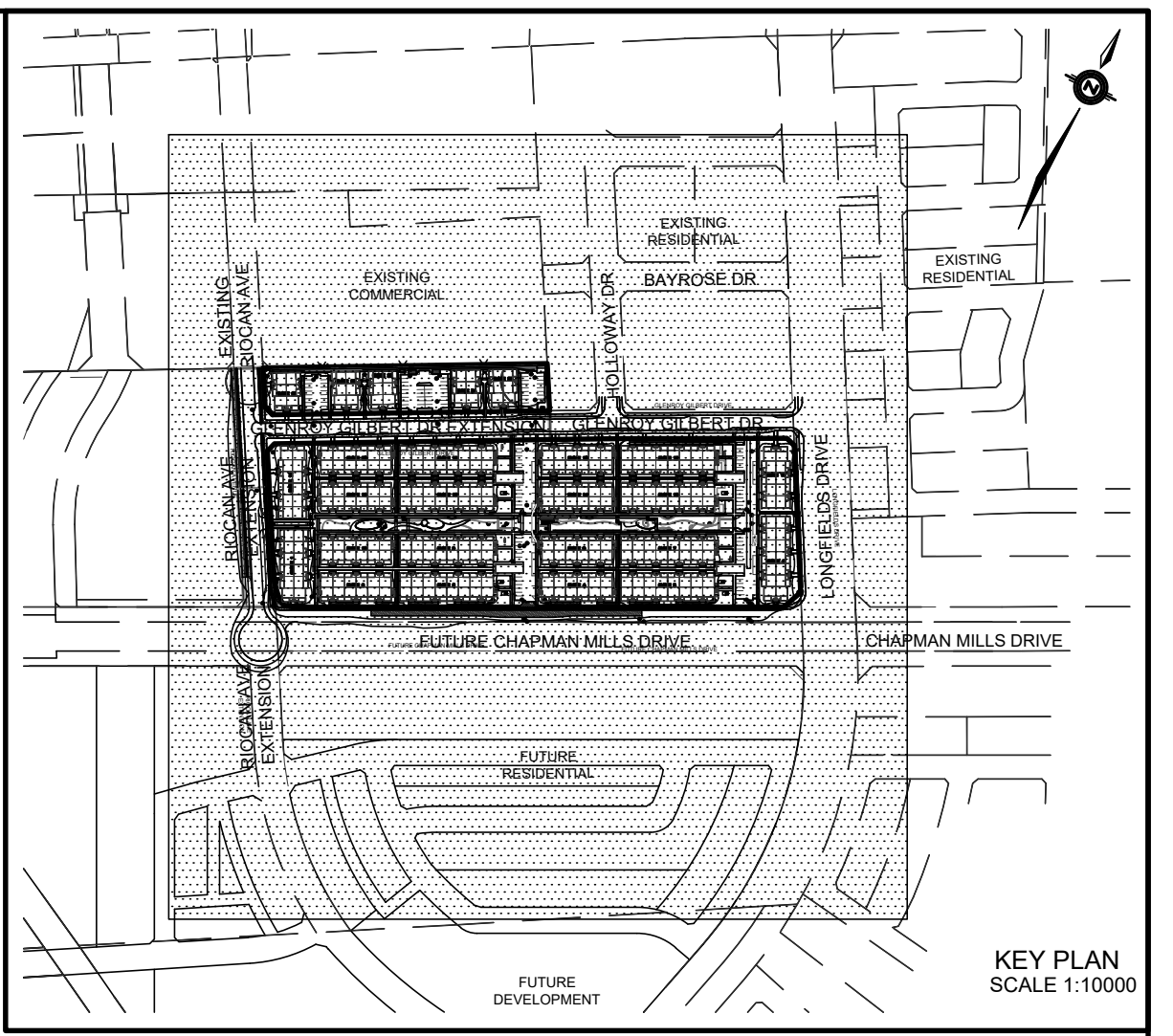
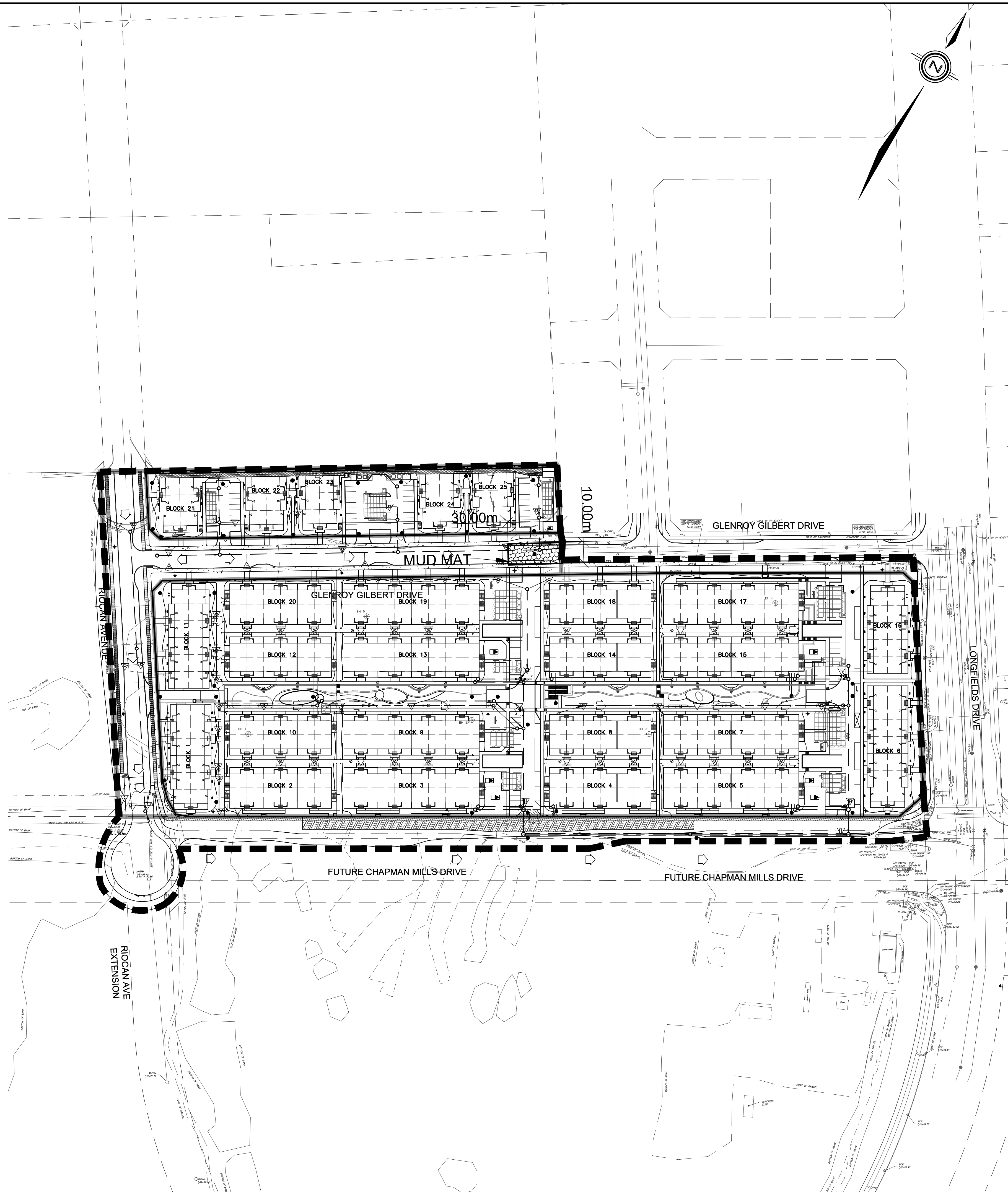
EROSION AND SEDIMENT CONTROL MEASURES MAY BE MODIFIED IN THE FIELD AT THE DISCRETION OF THE CITY OF OTTAWA SITE INSPECTOR OR CONSERVATION AUTHORITY PERSONNEL.

CONTRACTOR MUST USE BEST MANAGEMENT PRACTICES (BMPs) FOR EROSION AND SEDIMENT CONTROL.

THE SILTATION CONTROL PLAN IS INTENDED TO ASSIST THE CONTRACTOR IN THE LAYOUT AND CONSTRUCTION OF THE SILTATION CONTROL FEATURES ONLY. THIS DRAWING SHALL NOT BE USED FOR CONSTRUCTION OF SITE SERVICES.

MONITORING OF SEDIMENT AND EROSION CONTROLS
MONITORING AND REPORTING TO BE COMPLETED IN ACCORDANCE WITH THE MINISTRY OF THE ENVIRONMENT AND CLIMATE CHANGE (MOECC) AND RIDEAU VALLEY CONSERVATION AUTHORITY (RVCA) APPROVALS.

MAINTENANCE PROGRAM
ALL DAMAGED ESC MEASURES SHOULD BE REPAIRED AND/OR REPLACEMENT WITHIN 48 HOURS OF THE INSPECTION.
THE ENVIRONMENTAL MONITOR IS REQUIRED TO SUBMIT UPDATES TO THE TOWN/ REGION/ CONSERVATION AUTHORITY BY EMAIL IN A TIMELY MANNER.
SEDIMENT SHOULD BE REMOVED FROM THE SEDIMENT CONTROL FENCING ONCE SEDIMENT HAS ACCUMULATED TO A LEVEL OF ONE-THIRD THE HEIGHT OF FENCING OR TO A HEIGHT OF 30 cm. ANY AMOUNT OF ACCUMULATED SEDIMENT SHOULD BE REMOVED PRIOR TO THE REMOVAL OF THE CONTROL MEASURES.



LEGEND

PROPOSED SILT FENCE	---
PROPOSED SNOW FENCE	---
PROPOSED ROCK FLOW CHECK DAM	
PROPOSED STRAW BALE BARRIER	
PROPOSED STRAW BALE BARRIER WITH FILTER CLOTH	
SILTSACK FOR EXISTING STRUCTURE	
PROPOSED RIP RAP TREATMENT	
DITCH AND CULVERT	
MAJOR OVERLAND FLOW DIRECTION	

NOT FOR CONSTRUCTION

No.	BY	DATE	DESCRIPTION
7	S.L.M.	24-02-09	5TH SUBMISSION
6	S.L.M.	23-10-06	4TH SUBMISSION
5	S.L.M.	23-09-22	ISSUED FOR TENDER
4	S.L.M.	23-09-06	ISSUED FOR TENDER

TOPOGRAPHIC INFORMATION
TOPOGRAPHIC INFORMATION PROVIDED BY STANTEC GEOMATICS LTD., PROJECT No. 161614291-111, DATED MARCH 1, 2022.

SITE PLAN INFORMATION
SITE PLAN PROVIDED BY SRN ARCHITECTS LTD., PROJECT No. S21001, DATED DECEMBER 14, 2023.

LEGAL INFORMATION
CALCULATED DRAFT PLAN PROVIDED BY STANTEC GEOMATICS LTD., PROJECT No. 161614291-131, DATED AUGUST 9, 2023.

BENCH MARK
ELEVATIONS ARE REFERRED TO THE CANADIAN GEODETIC VERTICAL DATUM (CGVD-1928:1978) AND ARE DERIVED FROM BENCHMARK MONUMENT No. 196530071*, HAVING A PUBLISHED ELEVATION OF 99.742 METRES.

MINTO COMMUNITIES INC. BARRHAVEN TOWN CENTRE STAGE 1

DSEL 120 Ier Road Unit 103
Stittsville, Ontario, K2S 1E9
Tel. (613) 836-0856
Fax. (613) 836-7183
www.DSEL.ca

S.L. HERRICK
LICENSED PROFESSIONAL ENGINEER
100186523
2024-02-09
PROVINCE OF ONTARIO

Ottawa 110 Laurier Ave W
Ottawa, Ontario, K1P 1J1
Tel. (613) 580-2400
www.Ottawa.ca

EROSION AND SEDIMENT CONTROL PLAN STAGE 2

DRAWN BY: AM	CHECKED BY: BC	PROJECT No. 15-816
DESIGNED BY: BC	CHECKED BY: SM	SHEET No. 13
SCALE: 1:1000		

CITY PLAN No. 18822
CITY FILE No. D07-12-22-0104