

LEGEND					
	PROPERTY LINE		CB EXISTING CATCH BASIN		SOFTSCAPE SOD OR PLANTING
	PROJECT BOUNDARY		MH EXISTING MANHOLE		DECIDUOUS TREE
	OVERHEAD CANOPY		PB EXISTING PULLBOX		BIKE RACK
	STRUCTURE BELOW		T-PL EXISTING TRAFFIC POLE		BOLLARD
	SOIL TRENCH		L-PL EXISTING LIGHT POLE		PROPOSED LIGHT POLE
	UNIT PAVING		U-PL EXISTING UTILITY POLE		PROPOSED SIGN
	ACCENT UNIT PAVING		HD EXISTING HYDRANT		BUILDING ENTRANCE/EXIT

GENERAL NOTES:

- ALL WORK TO CONFORM TO THE LATEST CITY OF OTTAWA STANDARD DRAWINGS AND SPECIFICATIONS AS WELL AS THE LATEST ONTARIO PROVINCIAL STANDARD DRAWINGS AND SPECIFICATIONS.
- UNLESS INDICATED OTHERWISE, ALL WORK WITHIN THE CITY RIGHT-OF-WAY SHALL BE UNDERTAKEN IN ACCORDANCE WITH CITY OF OTTAWA DESIGN STANDARDS AND SPECIFICATION. ONTARIO PROVINCIAL STANDARDS MAY, SUBJECT TO THE APPROVAL OF THE CITY OF OTTAWA, BE USED WHERE NO STANDARD OR SPECIFICATION IS NOTED.
- ANY DISCREPANCIES BETWEEN SITE CONDITIONS AND THE DRAWINGS MUST BE REPORTED TO THE CONSULTANT PRIOR TO COMMENCEMENT OF CONSTRUCTION AND APPROPRIATE ACTION TAKEN TO THE SATISFACTION OF THE CITY OF OTTAWA.
- SIDEWALK SPACE TO MAINTAIN A MINIMUM 2.0M PEDESTRIAN CLEARWAY.
- THE CONTRACTOR SHALL REVIEW ALL DRAWINGS AND SPECIFICATIONS TO DETERMINE THE TOTAL SCOPE OF WORK AND ALL REQUIRED COORDINATIONS.
- THE CONTRACTOR IS RESPONSIBLE FOR A THOROUGH SITE EXAMINATION TO SATISFY HIM OR HERSELF AS TO THE ACTUAL SITE CONDITIONS PRIOR TO SUBMISSION OF BIDS.
- CONTRACTOR SHALL VERIFY ALL EXISTING UTILITY LOCATIONS PRIOR TO EXCAVATION.
- ALL PROPOSED WORK LINES ARE PARALLEL OR PERPENDICULAR TO THE LINES FROM WHICH THEY ARE MEASURED UNLESS OTHERWISE NOTED.
- THE CONTRACTOR SHALL BE RESPONSIBLE FOR DOCUMENTING THE LOCATIONS OF ALL SITE ELEMENTS TO BE RESET IN THEIR SAME HORIZONTAL LOCATION.
- ANY AREA OUTSIDE THE LIMIT OF WORK THAT IS DISTURBED SHALL BE RESTORED TO ITS ORIGINAL CONDITION BY THE CONTRACTOR AT NO COST TO THE OWNER.
- REQUIRED SHOP DRAWINGS SHALL BE BASED ON FIELD MEASUREMENT AND LAYOUT VERIFICATION BY THE CONTRACTOR.
- ALL LINE AND GRADE WORK AS PER DRAWINGS AND SPECIFICATIONS SHALL BE LAID OUT BY A REGISTERED CIVIL ENGINEER OR SURVEYOR ENGAGED BY THE GENERAL CONTRACTOR.
- STORAGE AREAS FOR CONTRACTOR'S EQUIPMENT AND MATERIALS SHALL BE IN AND WITHIN LIMITS OF WORK AS SHOWN ON PLANS AND AS APPROVED BY THE LANDSCAPE ARCHITECT

ISSUED FOR

1	2021-06-25	ISSUED FOR OPA/ZBLA
2	2021-11-19	RE-ISSUED FOR OPA/ZBLA
3	2022-06-30	ISSUED FOR SPA

METRIC

THIS DRAWING IS COPYRIGHTED AND MUST NOT BE USED, REPRODUCED, OR REVISED WITHOUT WRITTEN PERMISSION.
 ALL DIMENSIONS ARE IN MILLIMETERS UNLESS OTHERWISE NOTED. VERIFY DIMENSIONS. DO NOT SCALE THIS DRAWING.
 REPORT INCONSISTENCIES AND OMISSIONS TO THE CONSULTANT FOR CLARIFICATION BEFORE COMMENCING WITH THE WORK.
 DEVIATIONS FROM THE CONTRACT DOCUMENTS WITHOUT WRITTEN APPROVAL FROM THE CONSULTANT ARE SUBJECT TO CORRECTION AT THE CONTRACTOR'S EXPENSE.

ARCHITECT

DIALOG
 35 JOHN STREET #500
 TORONTO, ON M5V 3G6
 Tel: 416-966-2220

URBAN PLANNER

FOTENN
 396 COOPER ST. SUITE 300
 OTTAWA, ON K2P 2H7
 Tel: 613-730-5709

LANDSCAPE ARCHITECT

DIALOG
 35 JOHN STREET #500
 TORONTO, ON M5V 3G6
 Tel: 416-966-0220

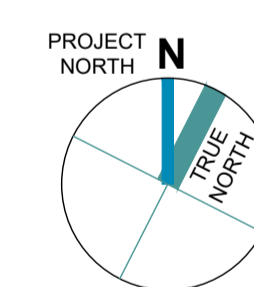
ENVIRONMENTAL/GEOTECHNICAL

TERRAPEX ENVIRONMENTAL
 20 GURDWARA ROAD, UNIT 1
 OTTAWA, ONTARIO K2E 8B3
 Tel: (613) 745-6471

HERITAGE CONSULTANT

MTBA
 222 LAURIER AVENUE EAST, STUDIO 201
 OTTAWA, ON K1N 6P2
 Tel: 613-244-2323

SEAL



1186-1194
 WELLINGTON ST W

OTTAWA, ON K1Y 2Z5

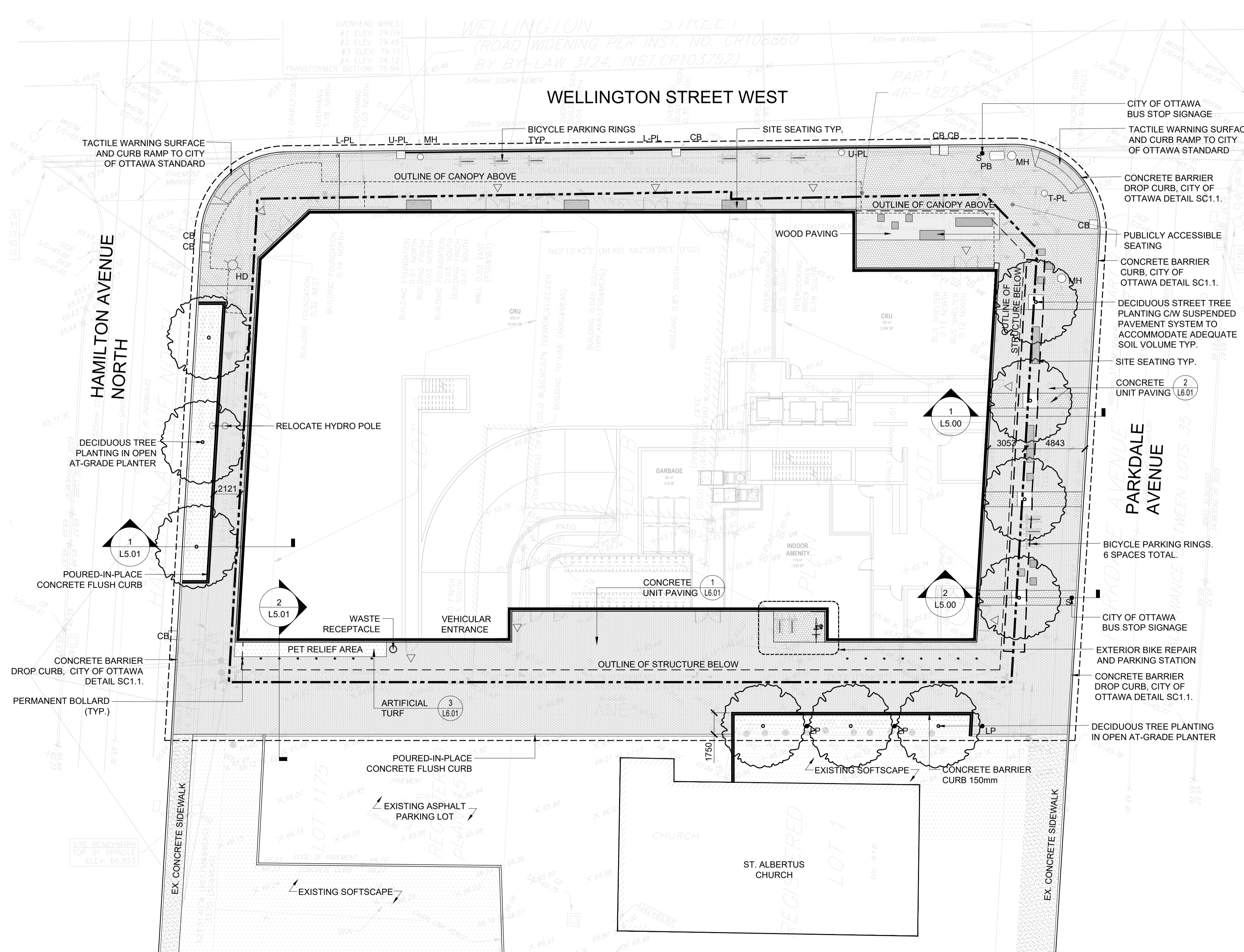
LANDSCAPE MATERIALS PLAN

DRAWN: EB
 PLOT DATE: 2021-06-23

CHECKED: BM

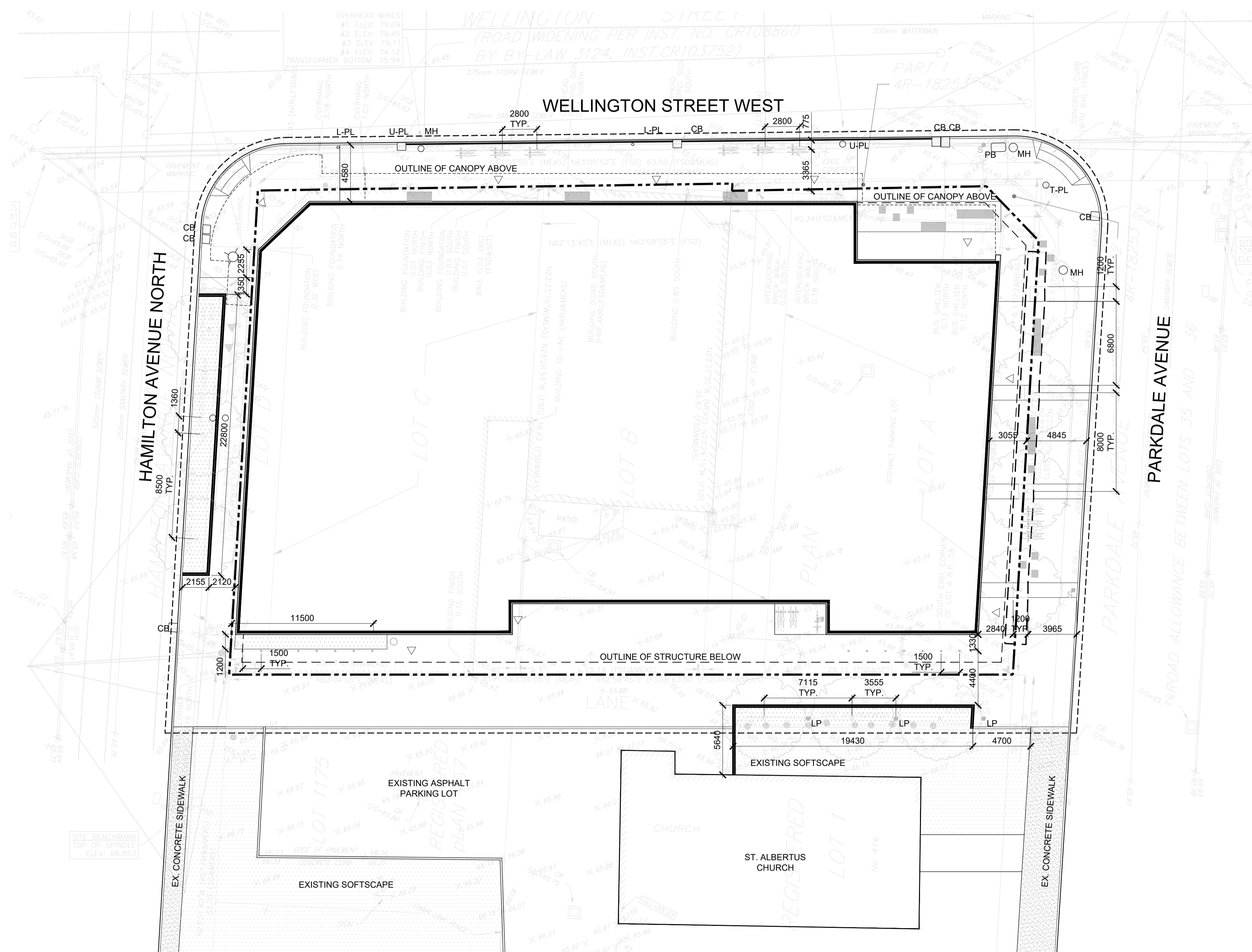
L1.00

ON100020-WELLINGTON



1 MATERIALS PLAN
 L1.00 SCALE: 1:200

LEGEND			
	PROPERTY LINE		CB EXISTING CATCH BASIN
	PROJECT BOUNDARY		MH EXISTING MANHOLE
	OVERHEAD CANOPY		PB EXISTING PULLBOX
	STRUCTURE BELOW		T-PL EXISTING TRAFFIC POLE
	SOIL TRENCH		L-PL EXISTING LIGHT POLE
			U-PL EXISTING UTILITY POLE
			HD EXISTING HYDRANT
			BUILDING ENTRANCE/EXIT
			DECIDUOUS TREE
			BIKE RACK
			BOLLARD
			LP PROPOSED LIGHT POLE
			S PROPOSED SIGN



ISSUED FOR	
1	2021-06-25 ISSUED FOR OPA/ZBLA
2	2021-11-19 RE-ISSUED FOR OPA/ZBLA
3	2022-06-30 ISSUED FOR SPA

METRIC
 THIS DRAWING IS COPYRIGHTED AND MUST NOT BE USED, REPRODUCED, OR REVISED WITHOUT WRITTEN PERMISSION.
 ALL DIMENSIONS ARE IN MILLIMETERS UNLESS OTHERWISE NOTED. VERIFY DIMENSIONS. DO NOT SCALE THIS DRAWING.
 REPORT INCONSISTENCIES AND OMISSIONS TO THE CONSULTANT FOR CLARIFICATION BEFORE COMMENCING WITH THE WORK.
 DEVIATIONS FROM THE CONTRACT DOCUMENTS WITHOUT WRITTEN APPROVAL FROM THE CONSULTANT ARE SUBJECT TO CORRECTION AT THE CONTRACTOR'S EXPENSE.

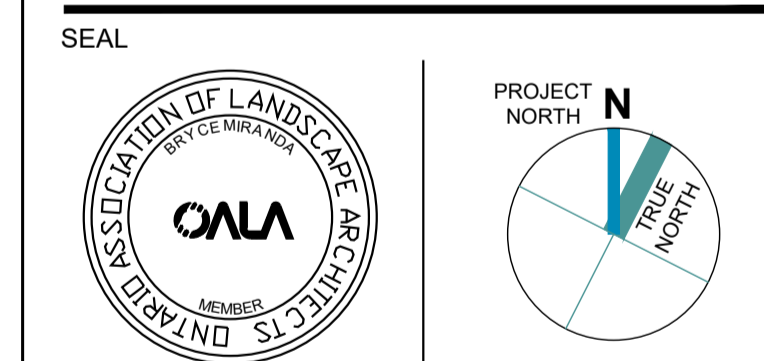
ARCHITECT
 DIALOG
 35 JOHN STREET #500
 TORONTO, ON M5V 3G6
 Tel: 416-966-0220

URBAN PLANNER
 FOTENN
 396 COOPER ST. SUITE 300
 OTTAWA, ON K2P 2H7
 Tel: 613-730-5709

LANDSCAPE ARCHITECT
 DIALOG
 35 JOHN STREET #500
 TORONTO, ON M5V 3G6
 Tel: 416-966-0220

ENVIRONMENTAL/GEOTECHNICAL
 TERRAPEX ENVIRONMENTAL
 20 GURDWARA ROAD, UNIT 1
 OTTAWA, ONTARIO K2E 8B3
 Tel: (613) 745-6471

HERITAGE CONSULTANT
 MTBA
 222 LAURIER AVENUE EAST, STUDIO 201
 OTTAWA, ON K1N 6P2
 Tel: 613-244-2323



1186-1194
 WELLINGTON ST W
 OTTAWA, ON K1Y 2Z5

LAYOUT PLAN

DRAWN: EB
 PLOT DATE: 2021-06-23

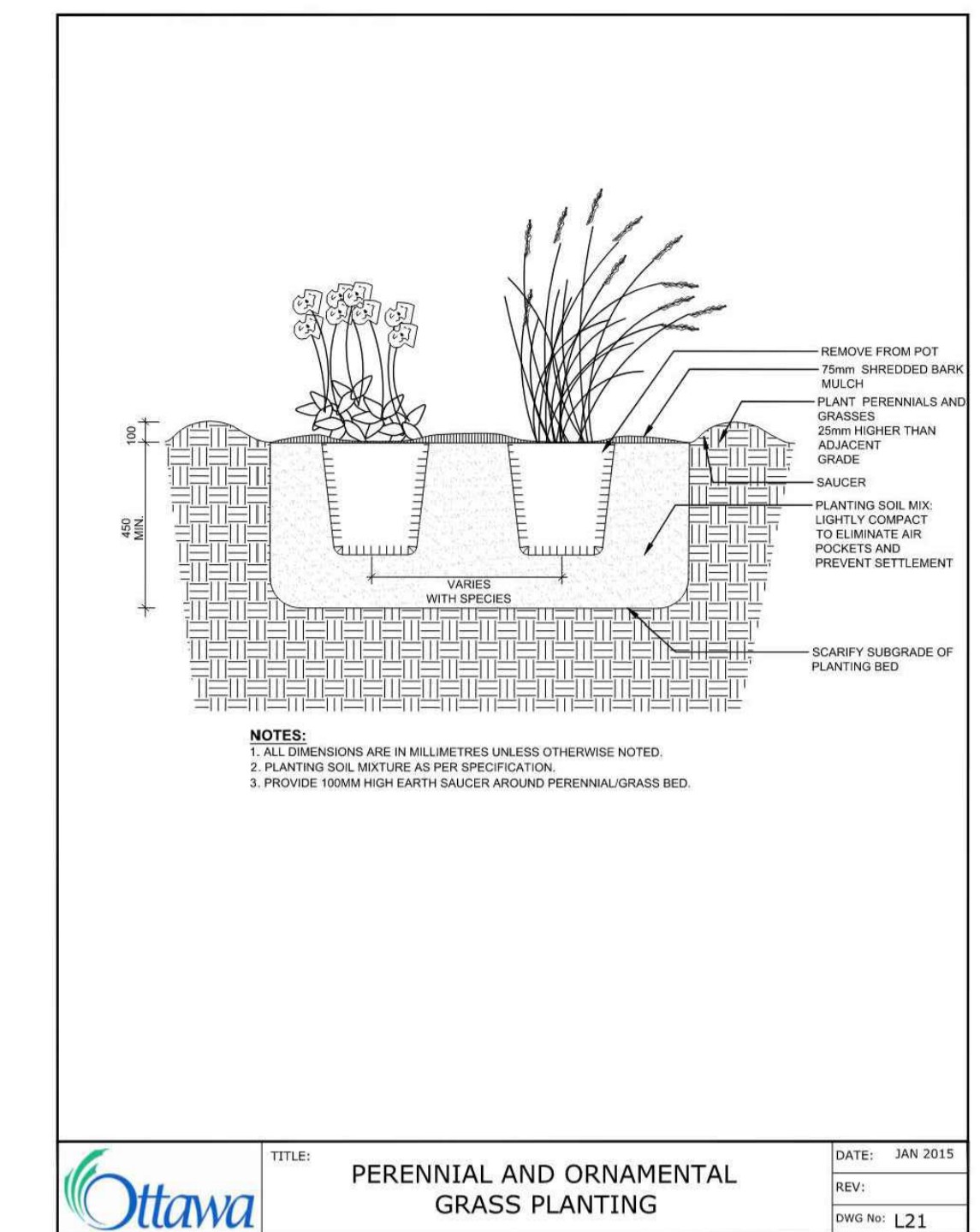
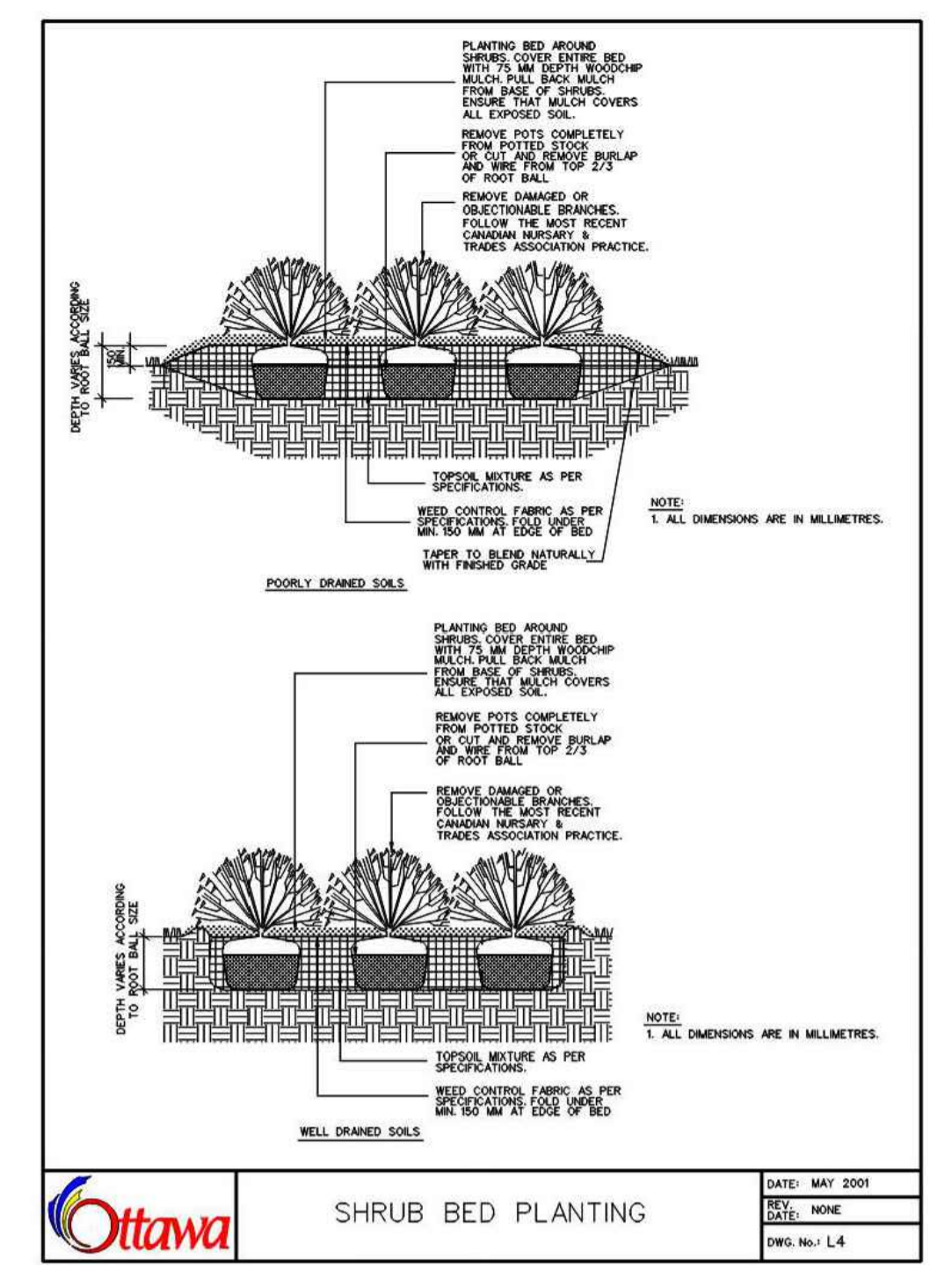
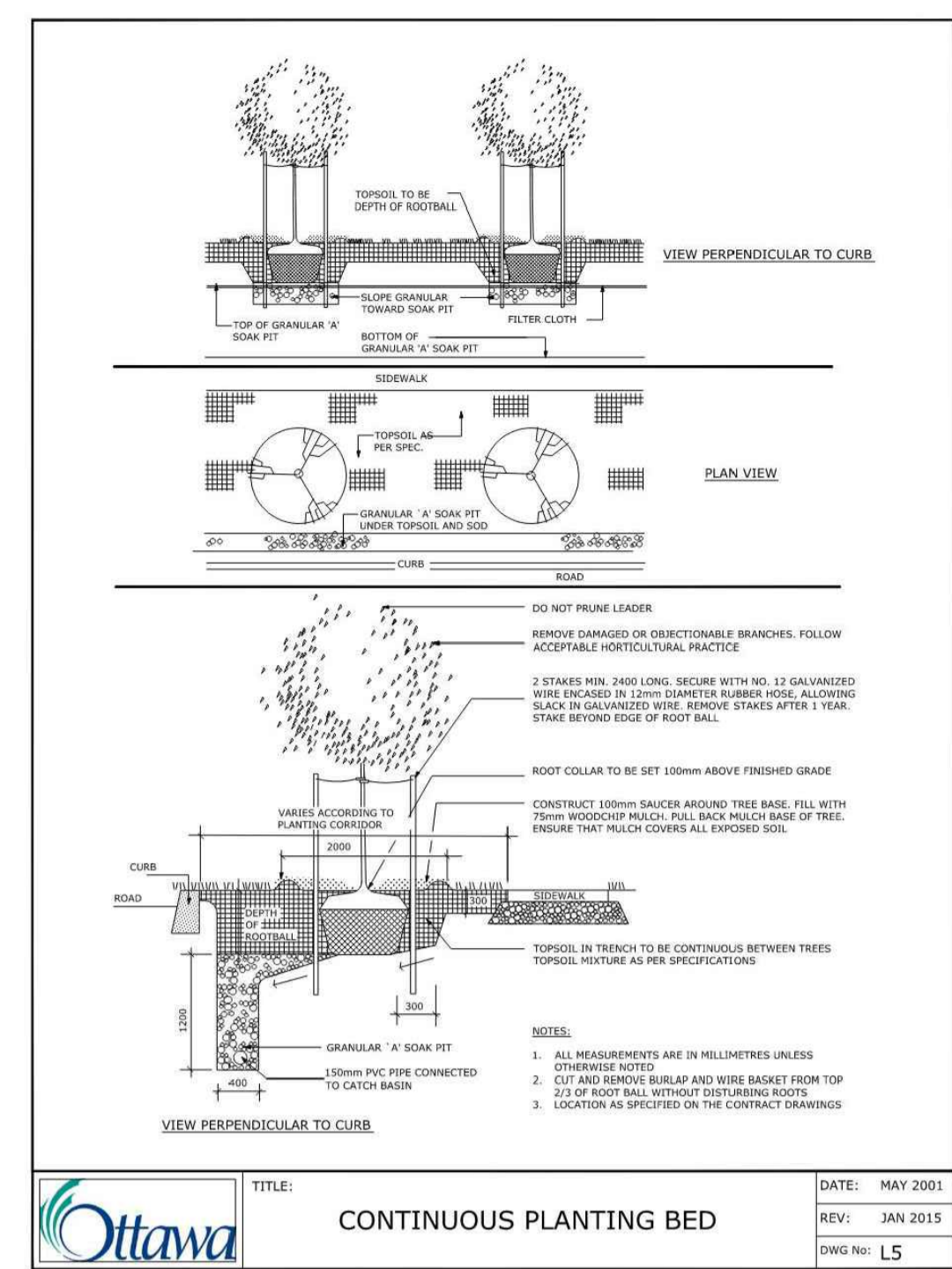
CHECKED: BM

L2.00

ON100020-WELLINGTON

1 LAYOUT PLAN
 L2.00 SCALE: 1:200

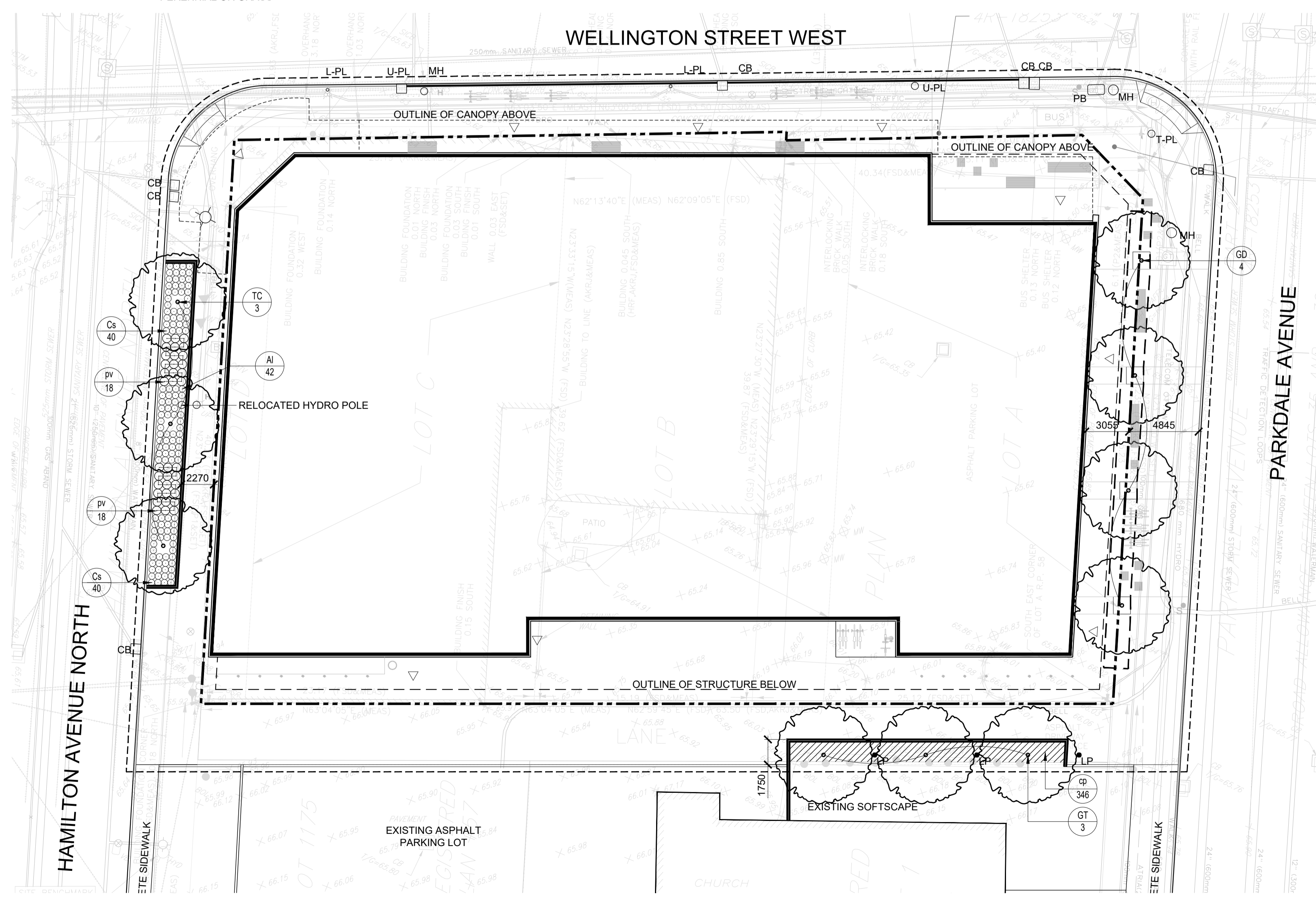
- LEGEND**
- — — — — PROPERTY LINE
 - - - - - PROJECT BOUNDARY
 - - - - - OVERHEAD CANOPY
 - - - - - STRUCTURE BELOW
 - - - - - SOIL TRENCH
 - CB EXISTING CATCH BASIN
 - MH EXISTING MANHOLE
 - PB EXISTING PULLBOX
 - T-PL EXISTING TRAFFIC POLE
 - L-PL EXISTING LIGHT POLE
 - U-PL EXISTING UTILITY POLE
 - HD EXISTING HYDRANT
 - △ BUILDING ENTRANCE/EXIT
 - DECIDUOUS TREE
 - BIKE RACK
 - BOLLARD
 - LP PROPOSED LIGHT POLE
 - DECIDUOUS SHRUB, PERENNIAL OR GRASS



2 CONTINUOUS PLANTING BED
L3.00 SCALE: NTS

3 SHRUB BED PLANTING
L3.00 SCALE: NTS

4 PERENNIAL AND ORNAMENTAL GRASS PLANTING
L3.00 SCALE: NTS



PLANT SCHEDULE

TREES						
KEY	QTY	BOTANICAL NAME	COMMON NAME	CONTAINER	CALIPER	SPACING
GD	4	<i>Gymnocladus dioica</i> 'Espresso'	Espresso Kentucky Coffee Tree	WB	70mm	AS SHOWN
GT	3	<i>Gleditsia triacanthos</i> var. <i>inermis</i>	Thornless Honeylocust	WB	70mm	AS SHOWN
TC	3	<i>Tilia cordata</i> 'Summer Sprite' (Halka)	Summer Sprite Linden	WB	60mm	AS SHOWN
SHRUBS						
KEY	QTY	BOTANICAL NAME	COMMON NAME	CONTAINER	SPACING	
Al	42	<i>Aronia</i> x <i>Low Scape</i> Mound	Low Scape Mound Chokeberry	2 gal	450mm O.C.	
Cs	80	<i>Cornus sericea</i> 'Kelsey'	Kelsey Red Osier Dogwood	3 gal	450mm O.C.	
PERENNIALS & GRASSES						
KEY	QTY	BOTANICAL NAME	COMMON NAME	CONTAINER	SPACING	
pv	36	<i>Panicum virgatum</i> 'Northwind'	Northwind Switch Grass	1 gal	600mm O.C.	
cp	346	<i>Carex pensylvanica</i>	Pennsylvania sedge	1 gal	300mm O.C.	

PLANT HATCH LEGEND

	Carex pensylvanica
--	--------------------

- PLANTING NOTES:**
- PLANTING BEDS: CONTINUOUS 100mm MULCH AROUND TREES AND SHRUBS. 150mm AWAY FROM TREE TRUNKS OF NEW TREES. INSTALL CONTINUOUS DEPTH OF 450mm DEPTH OF PLANTING SOIL IN SHRUB BEDS.
 - SCARIFY SURFACE OF SUBSOIL PRIOR TO PLANTING.
 - PRUNING: PRUNE TREE AND SHRUB BRANCHES AS REQUIRED ONLY TO REMOVE DEAD OR DAMAGED BRANCHES AND AS DIRECTED BY LANDSCAPE ARCHITECT. DO NOT PRUNE OR DAMAGE LEADER. RETAIN NORMAL TREE/SHRUB FORM.
 - CUT AND REMOVE BURLAP FROM TOP 1/3 OF BURLAPPED TREE ROOTBALLS. CUT TWO RUNS OF WIRE FROM TOP OF WIRE BASKETS.
 - REMOVE SHRUBS FROM FIBRE POT.
 - TREE STAKES TO BE REMOVED AT THE END OF THE GUARANTEE PERIOD, PRIOR TO THE RELEASE OF THE LETTER OF CREDIT.
 - LIGHTLY COMPACT PLANTING SOIL MIX TO ELIMINATE AIR POCKETS AND PREVENT SETTLEMENT.
 - INSTALL PLASTIC RODENT GUARD TO BE WRAPPED AROUND TREE TRUNKS.

1 PLANTING PLAN
L3.00 SCALE: 1:200

ISSUED FOR

1	2021-06-25	ISSUED FOR OPA/ZBLA
2	2021-11-19	RE-ISSUED FOR OPA/ZBLA
3	2022-06-30	ISSUED FOR SPA

METRIC

THIS DRAWING IS COPYRIGHTED AND MUST NOT BE USED, REPRODUCED, OR REVISED WITHOUT WRITTEN PERMISSION.

ALL DIMENSIONS ARE IN MILLIMETERS UNLESS OTHERWISE NOTED. DO NOT SCALE THIS DRAWING.

REPORT INCONSISTENCIES AND OMISSIONS TO THE CONSULTANT FOR CLARIFICATION BEFORE COMMENCING WITH THE WORK.

DEVIATIONS FROM THE CONTRACT DOCUMENTS WITHOUT WRITTEN APPROVAL FROM THE CONSULTANT ARE SUBJECT TO CORRECTION AT THE CONTRACTOR'S EXPENSE.

ARCHITECT

DIALOG
35 JOHN STREET #500
TORONTO, ON M5V 3G6
Tel: 416-966-2220

URBAN PLANNER

FOTENR
396 COOPER ST. SUITE 300
OTTAWA, ON K2P 2H7
Tel: 613-730-5709

LANDSCAPE ARCHITECT

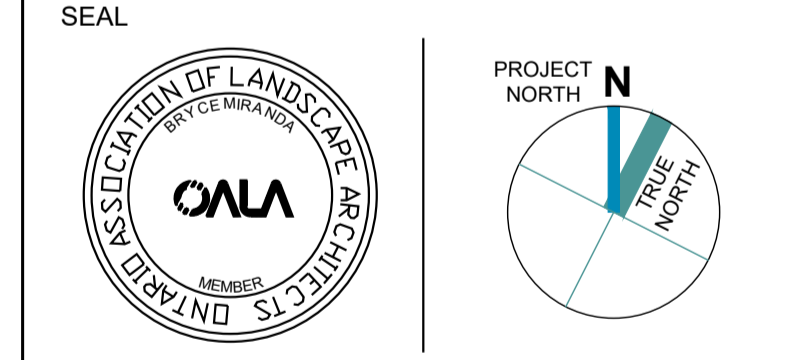
DIALOG
35 JOHN STREET #500
TORONTO, ON M5V 3G6
Tel: 416-966-0220

ENVIRONMENTAL/GEOTECHNICAL

TERRAPEX ENVIRONMENTAL
20 GURDWARA ROAD, UNIT 1
OTTAWA, ONTARIO K2E 8B3
Tel: (613) 745-6471

HERITAGE CONSULTANT

MTBA
222 LAURIER AVENUE EAST, STUDIO 201
OTTAWA, ON K1N 6P2
Tel: 613-244-2323



1186-1194
WELLINGTON ST W

OTTAWA, ON K1Y 2Z5

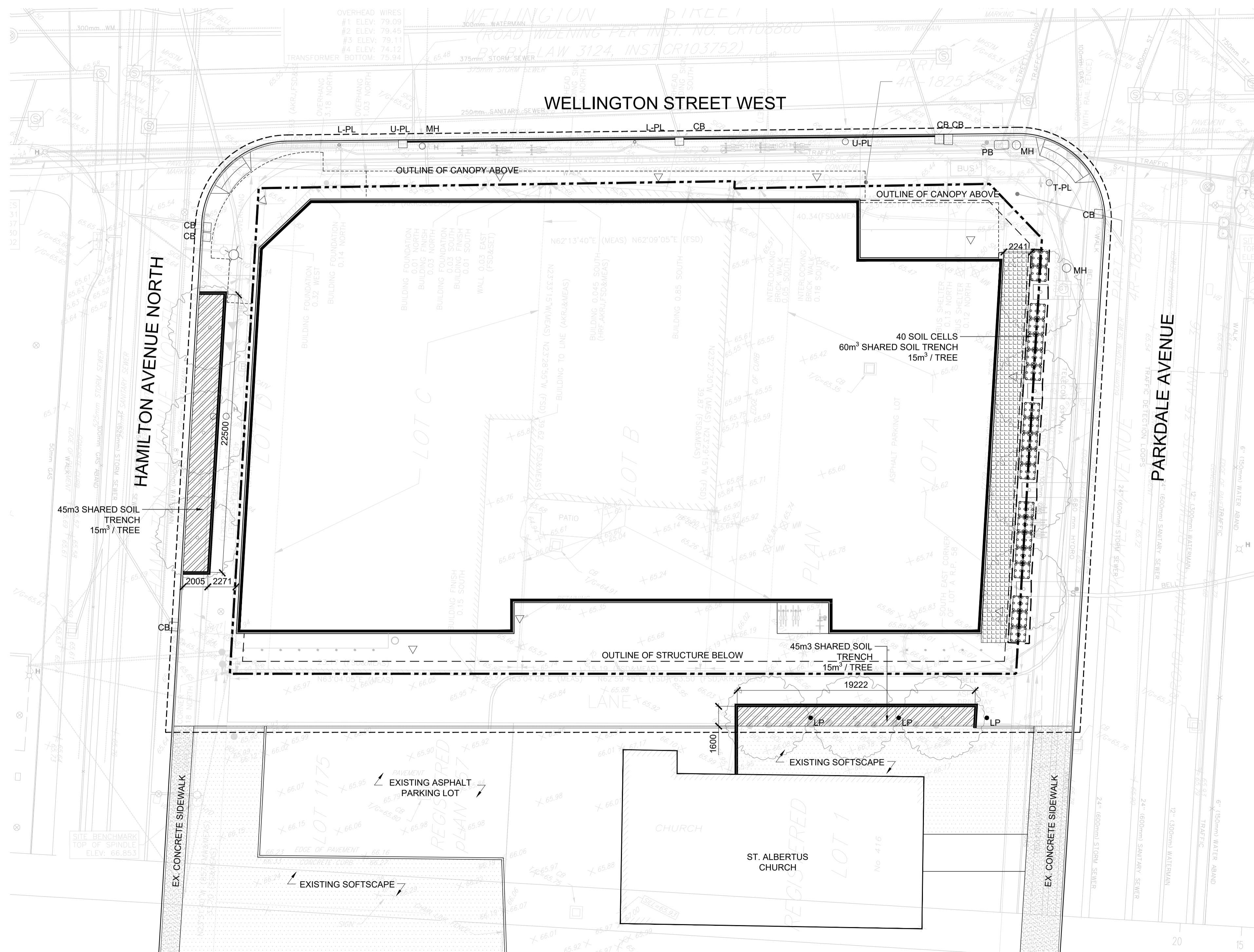
PLANTING PLAN

DRAWN: EB
PLOT DATE: 2021-06-23

CHECKED: BM

L3.00

LEGEND			
	PROPERTY LINE		CB EXISTING CATCH BASIN
	PROJECT BOUNDARY		MH EXISTING MANHOLE
	OVERHEAD CANOPY		PB EXISTING PULLBOX
	STRUCTURE BELOW		T-PL EXISTING TRAFFIC POLE
	SOIL TRENCH		L-PL EXISTING LIGHT POLE
	PLANTING SOIL		U-PL EXISTING UTILITY POLE
	STRUCTURAL SOIL		HD EXISTING HYDRANT
	SOIL CELL		BUILDING ENTRANCE/EXIT
			DECIDUOUS TREE
			BIKE RACK
			BOLLARD
			PROPOSED LIGHT POLE
			PROPOSED SIGN



ISSUED FOR	
1	2021-06-25 ISSUED FOR OPA/ZBLA
2	2021-11-19 RE-ISSUED FOR OPA/ZBLA
3	2022-06-30 ISSUED FOR SPA

METRIC
 THIS DRAWING IS COPYRIGHTED AND MUST NOT BE USED, REPRODUCED, OR REVISED WITHOUT WRITTEN PERMISSION.
 ALL DIMENSIONS ARE IN MILLIMETERS UNLESS OTHERWISE NOTED. VERIFY DIMENSIONS. DO NOT SCALE THIS DRAWING.
 REPORT INCONSISTENCIES AND OMISSIONS TO THE CONSULTANT FOR CLARIFICATION BEFORE COMMENCING WITH THE WORK.
 DEVIATIONS FROM THE CONTRACT DOCUMENTS WITHOUT WRITTEN APPROVAL FROM THE CONSULTANT ARE SUBJECT TO CORRECTION AT THE CONTRACTOR'S EXPENSE.

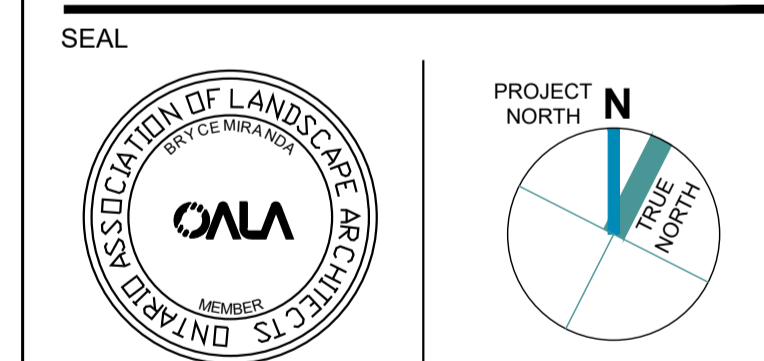
ARCHITECT
 DIALOG
 35 JOHN STREET #500
 TORONTO, ON M5V 3G6
 Tel: 416-966-0220

URBAN PLANNER
 FOTENN
 396 COOPER ST. SUITE 300
 OTTAWA, ON K2P 2H7
 Tel: 613-730-5709

LANDSCAPE ARCHITECT
 DIALOG
 35 JOHN STREET #500
 TORONTO, ON M5V 3G6
 Tel: 416-966-0220

ENVIRONMENTAL/GEOTECHNICAL
 TERRAPEX ENVIRONMENTAL
 20 GURDWARA ROAD, UNIT 1
 OTTAWA, ONTARIO K2E 8R3
 Tel: (613) 745-6471

HERITAGE CONSULTANT
 MTBA
 222 LAURIER AVENUE EAST, STUDIO 201
 OTTAWA, ON K1N 6P2
 Tel: 613-244-2323



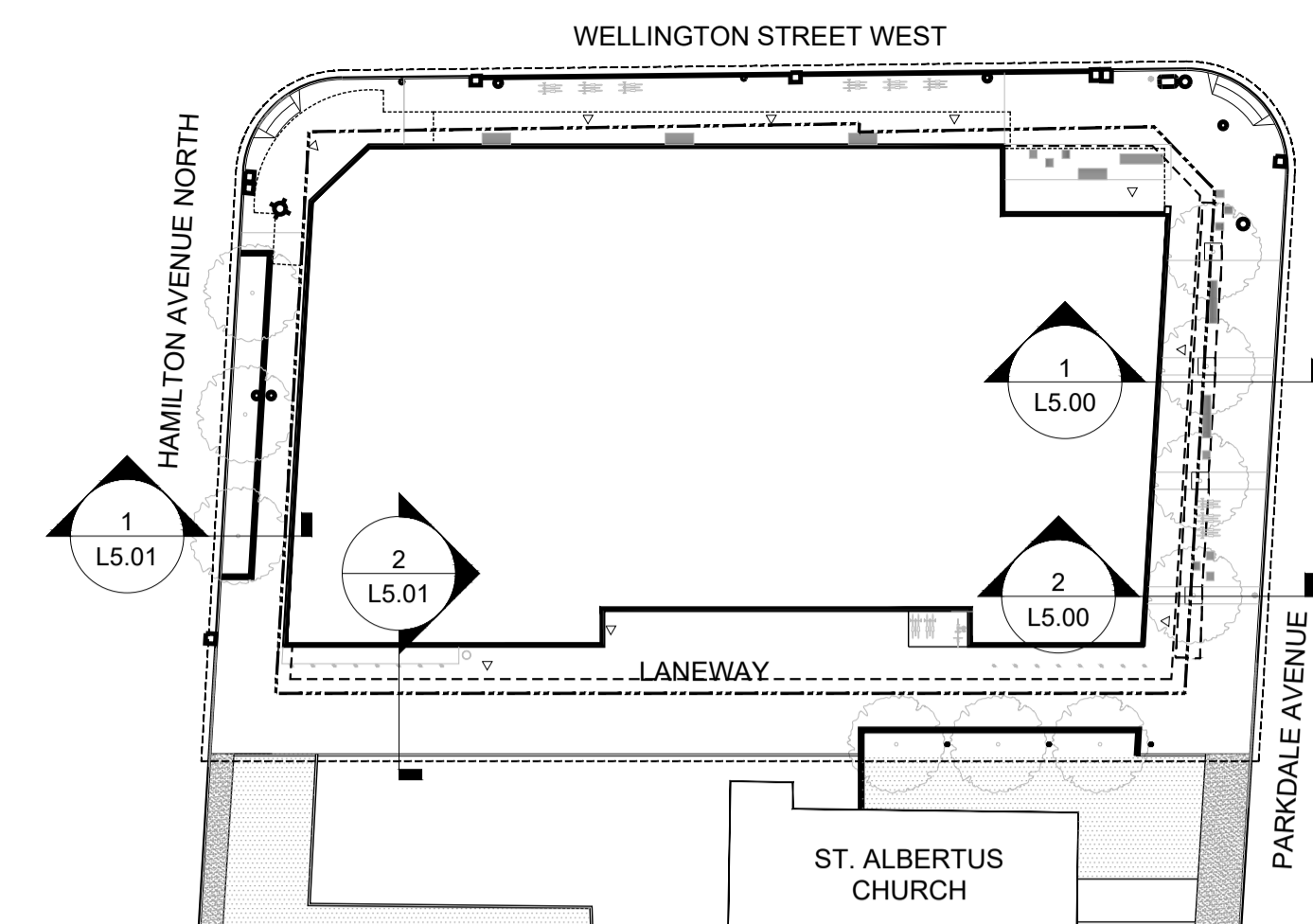
1186-1194
 WELLINGTON ST W
 OTTAWA, ON K1Y 2Z5

SOILS PLAN

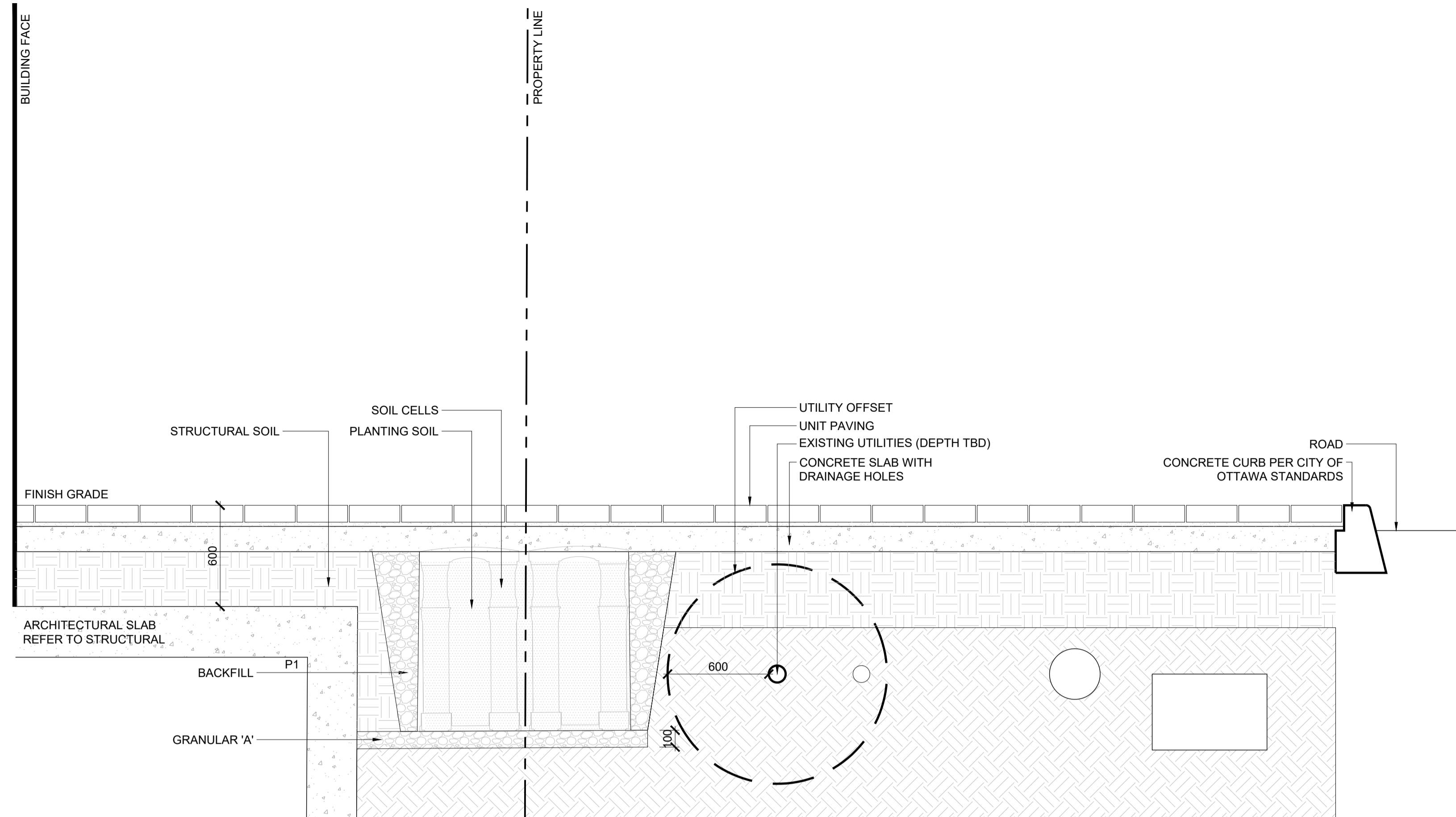
DRAWN: EB
 PLOT DATE: 2021-06-23
 CHECKED: BM

L4.00

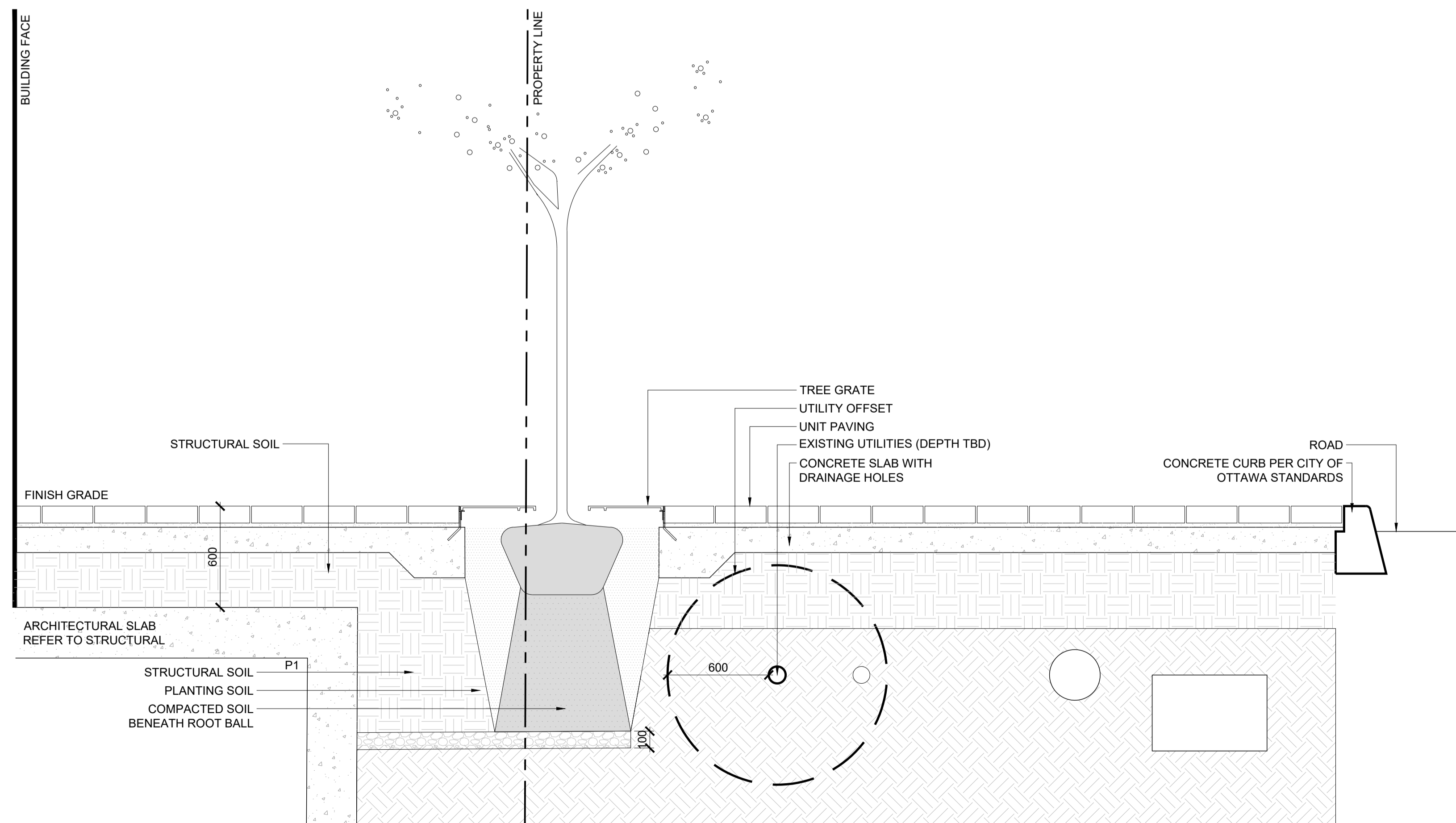
1 SOILS PLAN
 L4.00 SCALE: 1:200



0 KEY PLAN
L5.00 SCALE: 1:500



1 SECTION THROUGH SOIL CELLS
L5.00 SCALE: 1:20



2 SECTION THROUGH TREE GRATE
L5.00 SCALE: 1:20

ISSUED FOR

- 1 2021-06-25 ISSUED FOR OPA/ZBLA
- 2 2021-11-19 RE-ISSUED FOR OPA/ZBLA
- 3 2022-06-30 ISSUED FOR SPA

METRIC

THIS DRAWING IS COPYRIGHTED AND MUST NOT BE USED, REPRODUCED, OR REVISED WITHOUT WRITTEN PERMISSION.
ALL DIMENSIONS ARE IN MILLIMETERS UNLESS OTHERWISE NOTED. VERIFY DIMENSIONS. DO NOT SCALE THIS DRAWING.
REPORT INCONSISTENCIES AND OMISSIONS TO THE CONSULTANT FOR CLARIFICATION BEFORE COMMENCING WITH THE WORK.
DEVIATIONS FROM THE CONTRACT DOCUMENTS WITHOUT WRITTEN APPROVAL FROM THE CONSULTANT ARE SUBJECT TO CORRECTION AT THE CONTRACTOR'S EXPENSE.

ARCHITECT

DIALOG
35 JOHN STREET #500
TORONTO, ON M5V 3G6
Tel: 416-966-0220

URBAN PLANNER

FOTENN
396 COOPER ST. SUITE 300
OTTAWA, ON K2P 2H7
Tel: 613-730-5709

LANDSCAPE ARCHITECT

DIALOG
35 JOHN STREET #500
TORONTO, ON M5V 3G6
Tel: 416-966-0220

ENVIRONMENTAL/GEOTECHNICAL

TERRAPEX ENVIRONMENTAL
20 GURDWARA ROAD, UNIT 1
OTTAWA, ONTARIO K2E 8B3
Tel: (613) 745-6471

HERITAGE CONSULTANT

MTBA
222 LAURIER AVENUE EAST, STUDIO 201
OTTAWA, ON K1N 6P2
Tel: 613-244-2323

SEAL



1186-1194
WELLINGTON ST W

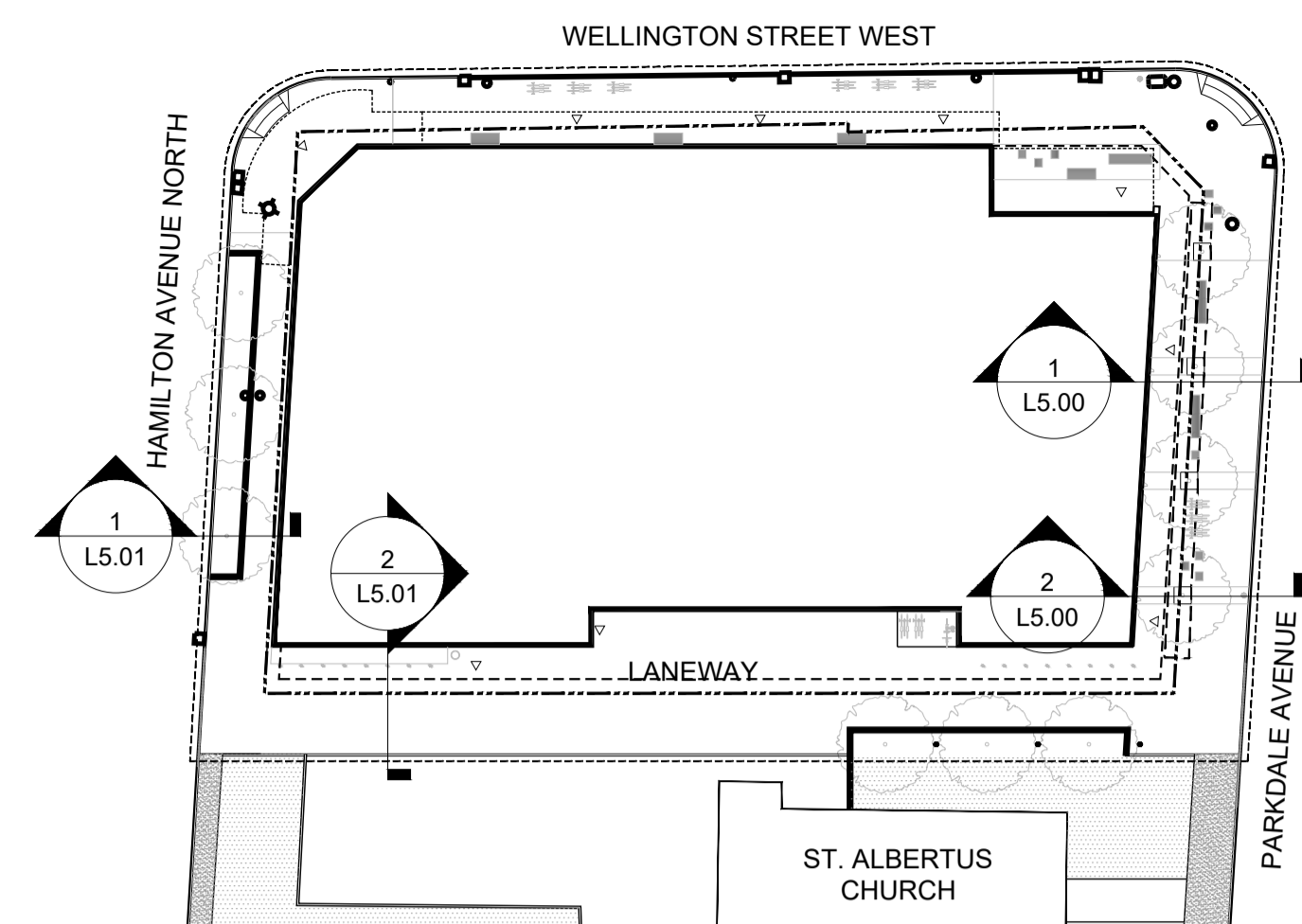
OTTAWA, ON K1Y 2Z5

SECTIONS

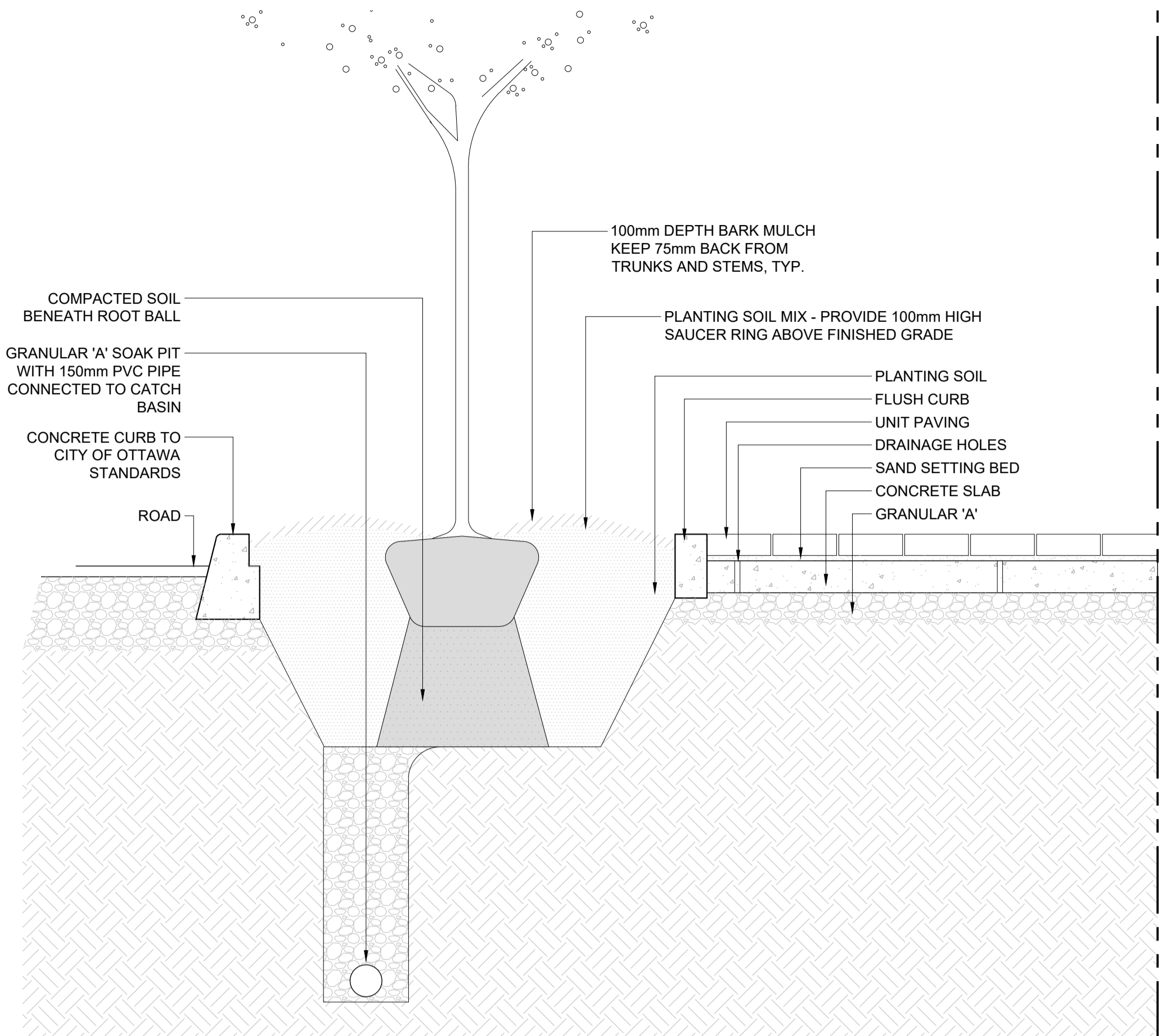
DRAWN: EB
PLOT DATE: 2021-06-23

CHECKED: BM

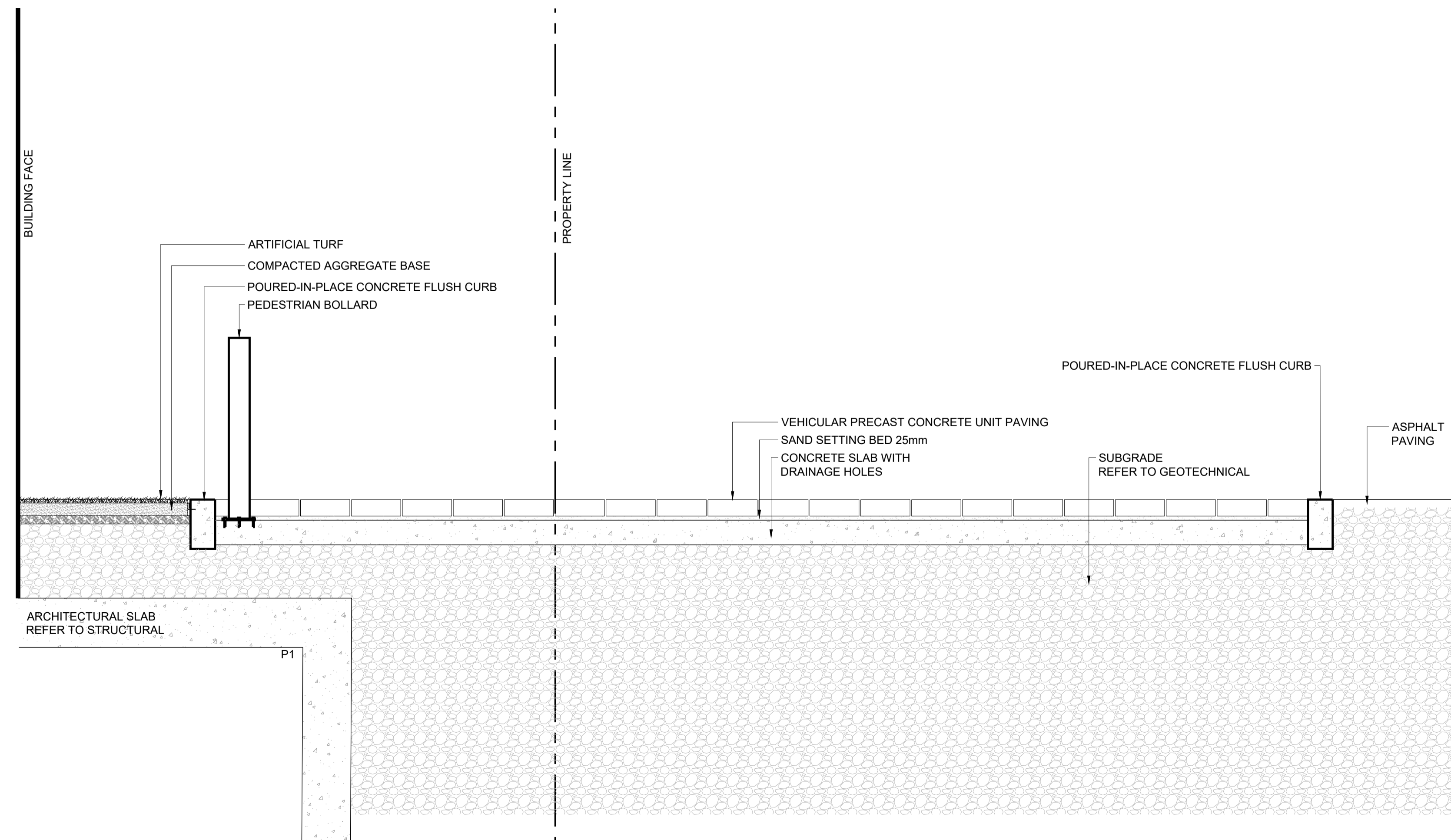
L5.00



0 KEY PLAN
L5.00 SCALE: 1:500



1 SECTION THROUGH OPEN PLANTER
L5.01 SCALE: 1:20



2 SECTION THROUGH PET RELIEF ZONE
L5.01 SCALE: 1:20

ISSUED FOR

1	2021-06-25	ISSUED FOR OPA/ZBLA
2	2021-11-19	RE-ISSUED FOR OPA/ZBLA
3	2022-06-30	ISSUED FOR SPA

METRIC
THIS DRAWING IS COPYRIGHTED AND MUST NOT BE USED, REPRODUCED, OR REVISED WITHOUT WRITTEN PERMISSION.
ALL DIMENSIONS ARE IN MILLIMETERS UNLESS OTHERWISE NOTED. VERIFY DIMENSIONS. DO NOT SCALE THIS DRAWING.
REPORT INCONSISTENCIES AND OMISSIONS TO THE CONSULTANT FOR CLARIFICATION BEFORE COMMENCING WITH THE WORK.
DEVIATIONS FROM THE CONTRACT DOCUMENTS WITHOUT WRITTEN APPROVAL FROM THE CONSULTANT ARE SUBJECT TO CORRECTION AT THE CONTRACTOR'S EXPENSE.

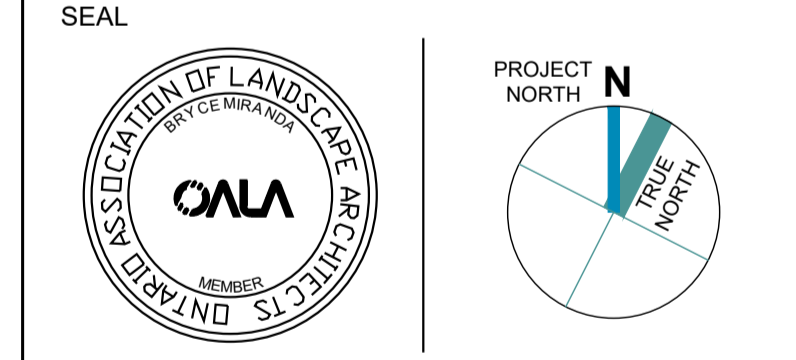
ARCHITECT
DIALOG
35 JOHN STREET #500
TORONTO, ON M5V 3G6
Tel: 416-966-0220

URBAN PLANNER
FOTENN
396 COOPER ST. SUITE 300
OTTAWA, ON K2P 2H7
Tel: 613-730-5709

LANDSCAPE ARCHITECT
DIALOG
35 JOHN STREET #500
TORONTO, ON M5V 3G6
Tel: 416-966-0220

ENVIRONMENTAL/GEOTECHNICAL
TERRAPEX ENVIRONMENTAL
20 GURDWARA ROAD, UNIT 1
OTTAWA, ONTARIO K2E 8B3
Tel: (613) 745-6471

HERITAGE CONSULTANT
MTBA
222 LAURIER AVENUE EAST, STUDIO 201
OTTAWA, ON K1N 6P2
Tel: 613-244-2323

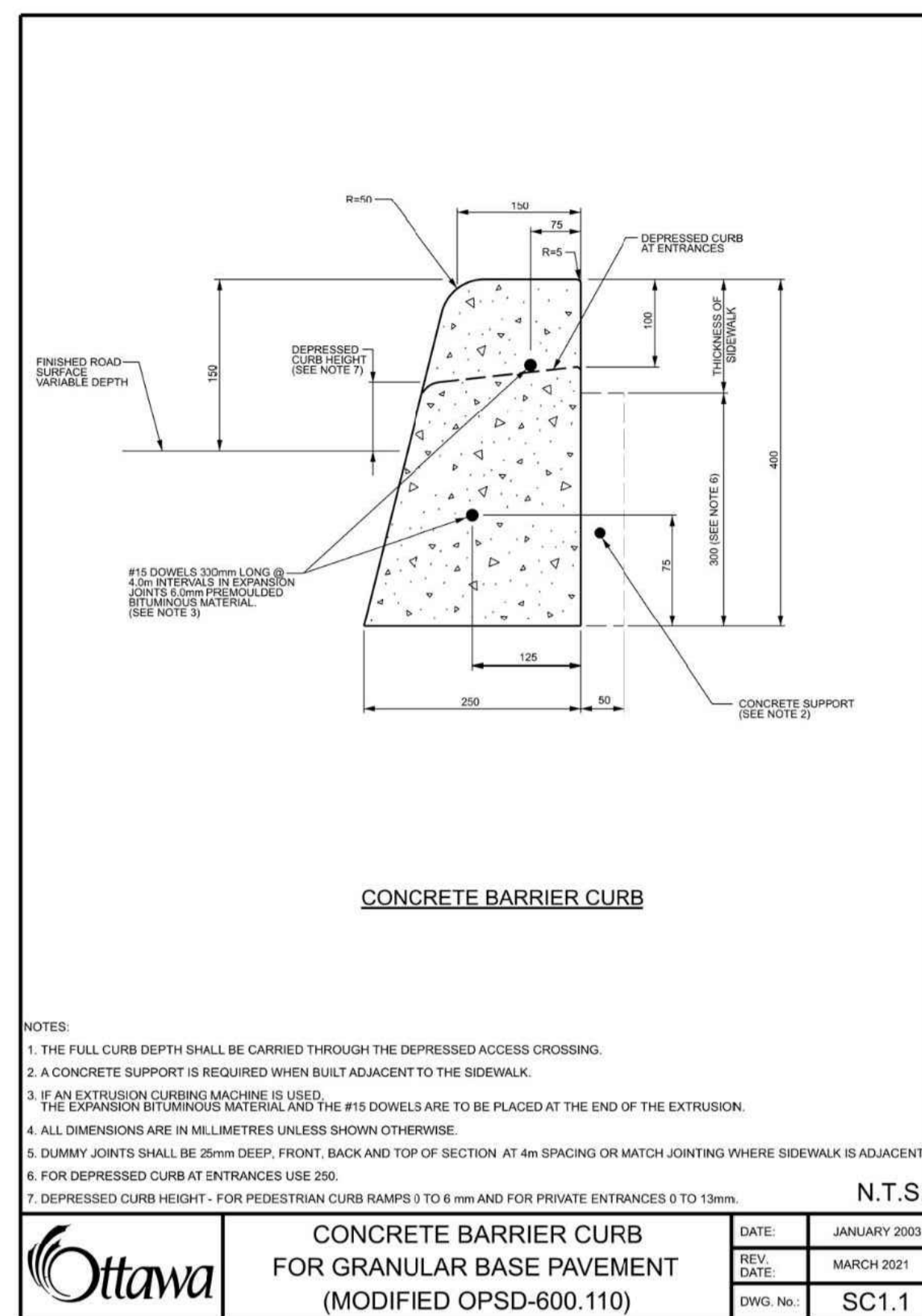


1186-1194
WELLINGTON ST W
OTTAWA, ON K1Y 2Z5

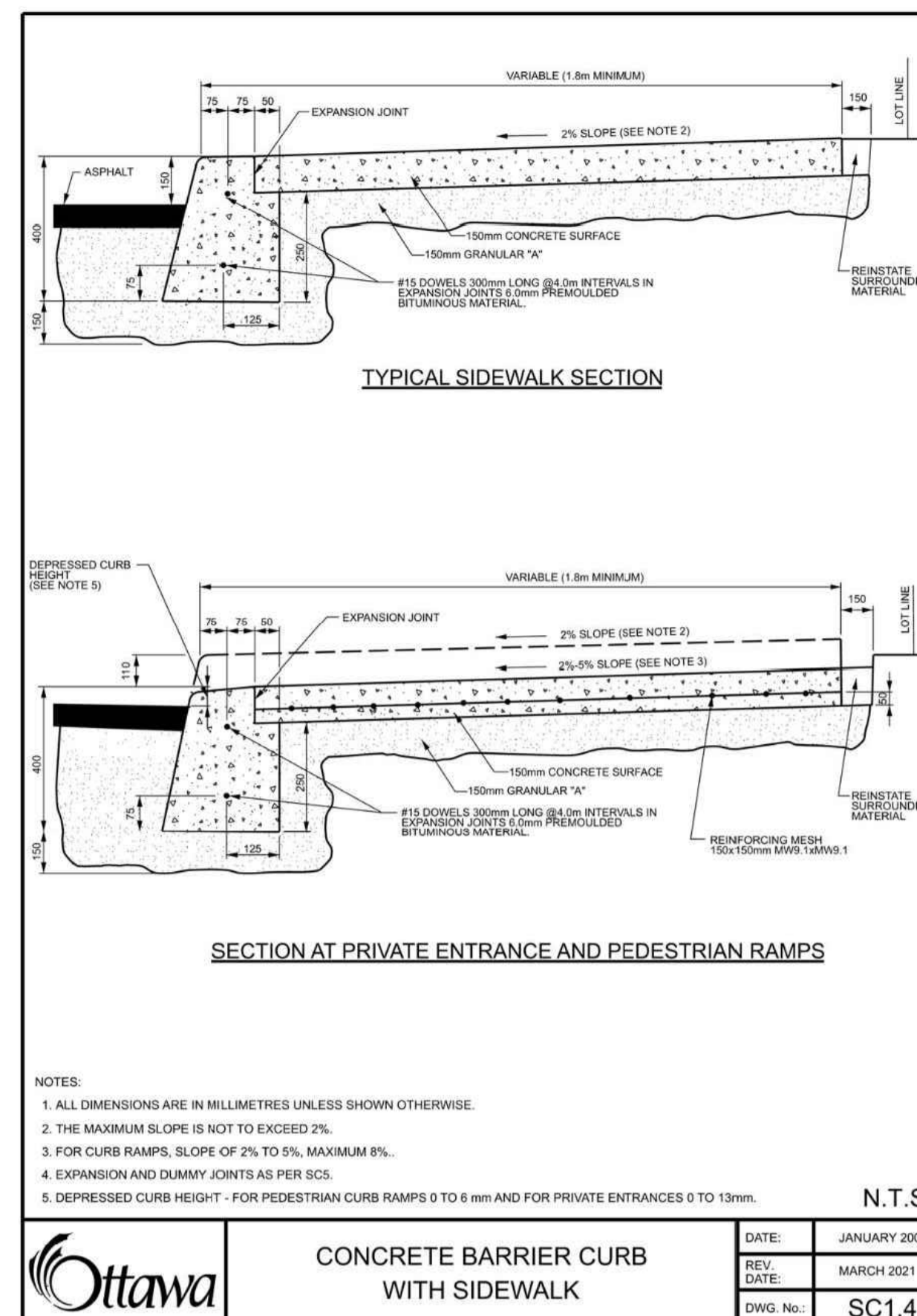
SECTIONS

DRAWN: EB CHECKED: BM
PLOT DATE: 2021-06-23

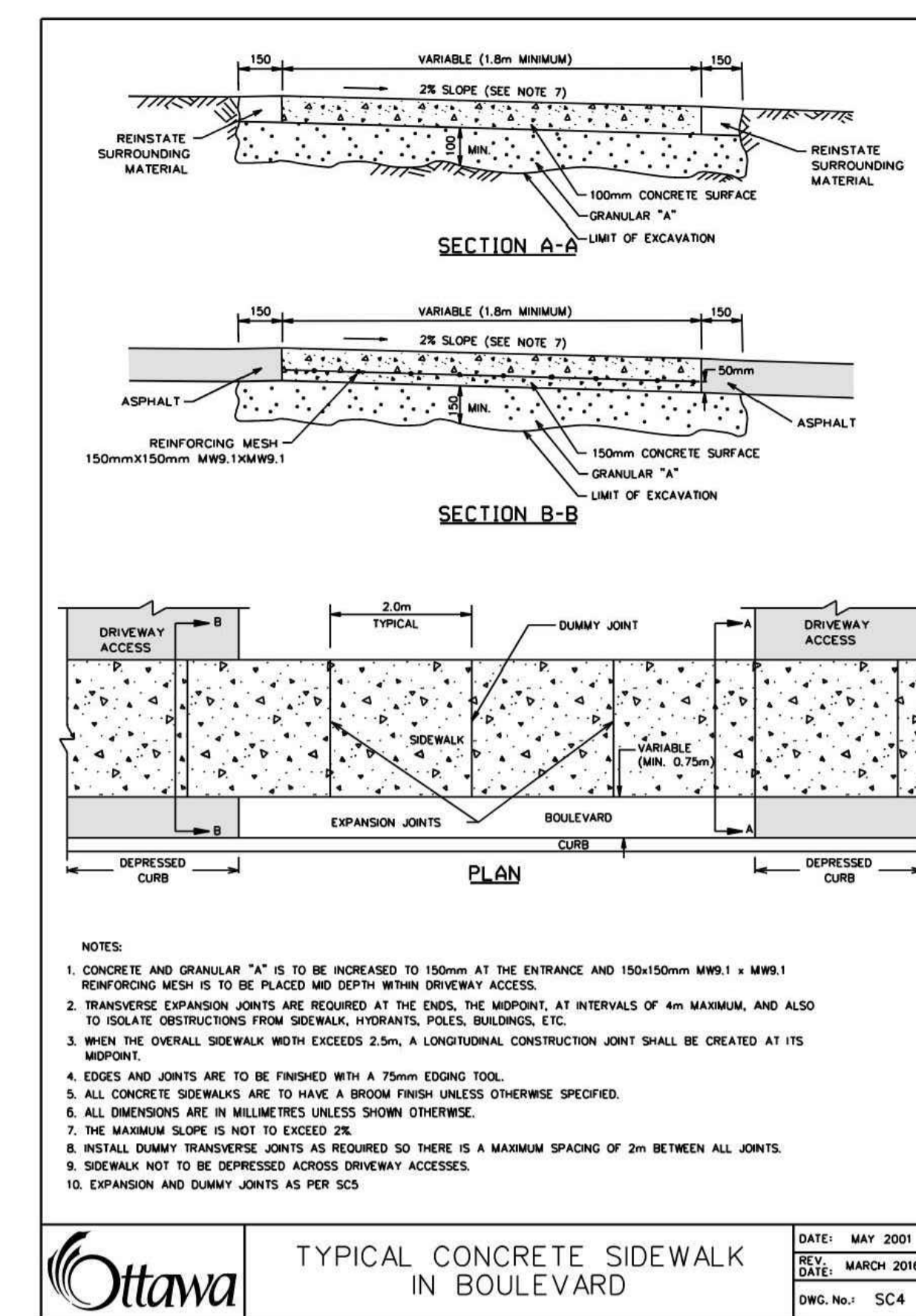
L5.01



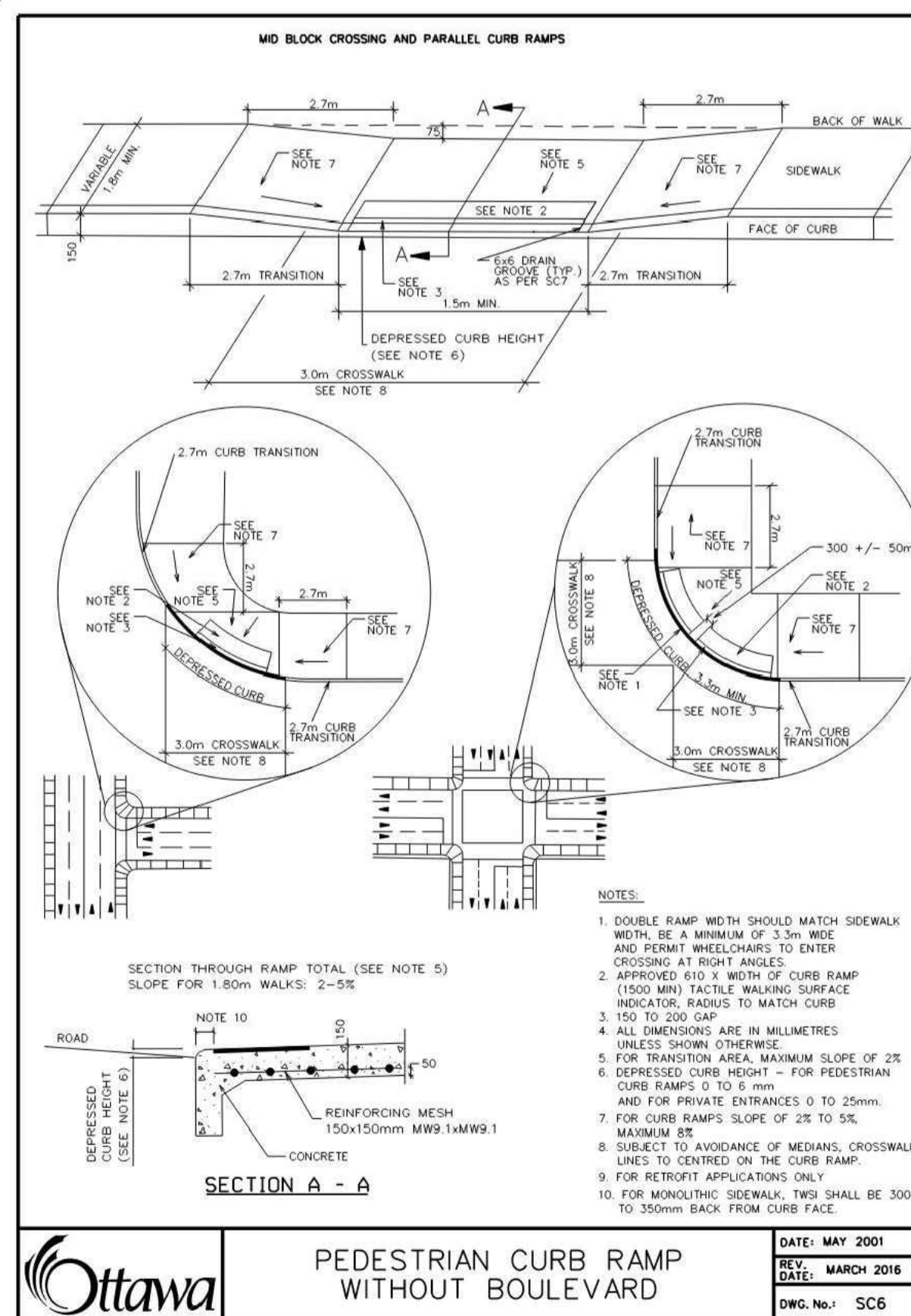
1 CONCRETE BARRIER CURB
L6.00 SCALE: NTS



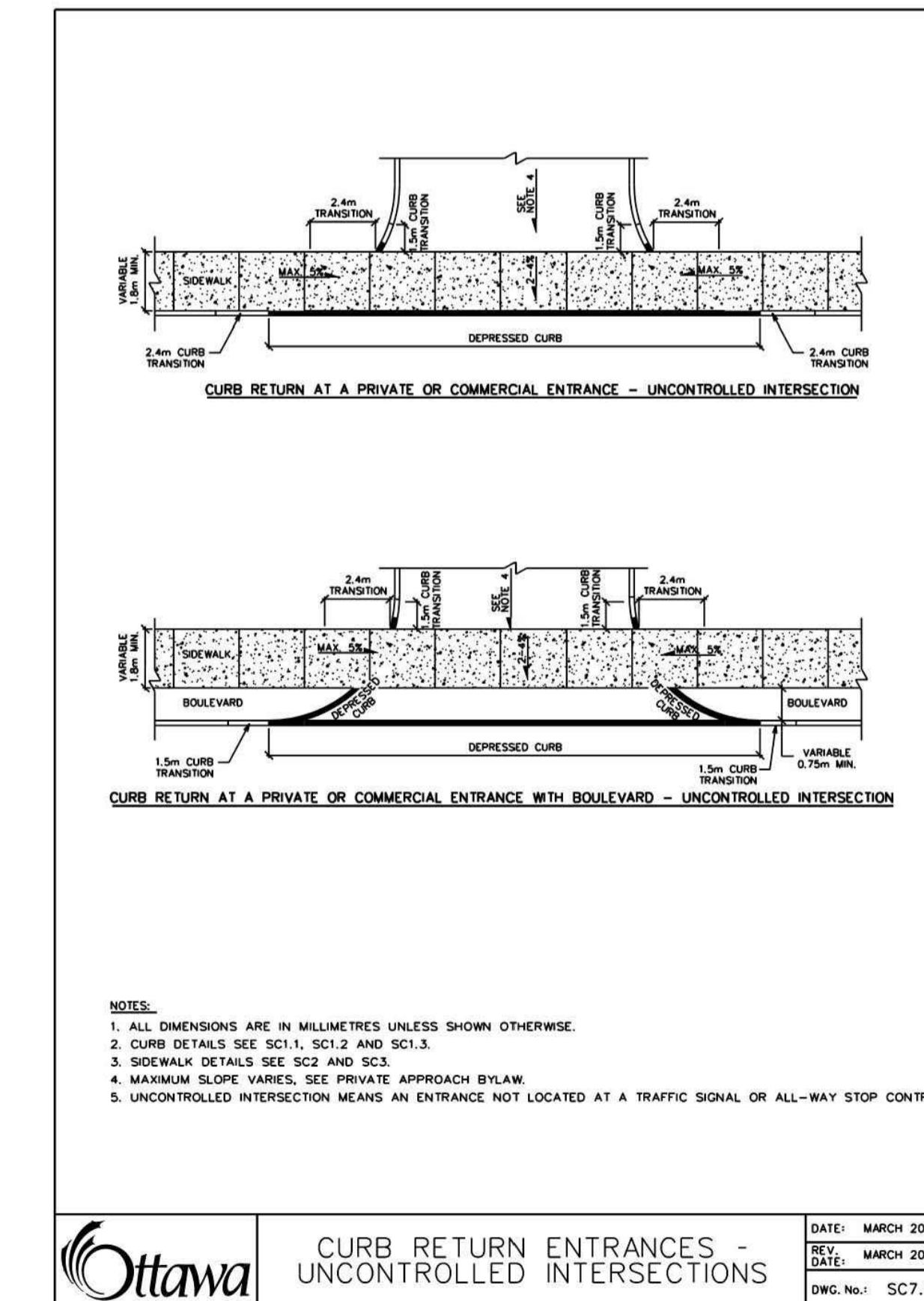
2 CONCRETE BARRIER CURB WITH SIDEWALK
L6.00 SCALE: NTS



3 TYPICAL CONCRETE SIDEWALK IN BOULEVARD
L6.00 SCALE: NTS



4 PEDESTRIAN CURB RAMP WITHOUT BOULEVARD
L6.00 SCALE: NTS



5 CURB RETURN ENTRANCES - UNCONTROLLED INTERSECTIONS
L6.00 SCALE: NTS

ISSUED FOR

1	2021-06-25	ISSUED FOR OPA/ZBLA
2	2021-11-19	RE-ISSUED FOR OPA/ZBLA
3	2022-06-30	ISSUED FOR SPA

FOR INFORMATION ONLY
NOT FOR CONSTRUCTION

METRIC
 THIS DRAWING IS COPYRIGHTED AND MUST NOT BE USED, REPRODUCED, OR REVISED WITHOUT WRITTEN PERMISSION.
 ALL DIMENSIONS ARE IN MILLIMETERS UNLESS OTHERWISE NOTED. VERIFY DIMENSIONS. DO NOT SCALE THIS DRAWING.
 REPORT INCONSISTENCIES AND OMISSIONS TO THE CONSULTANT FOR CLARIFICATION BEFORE COMMENCING WITH THE WORK.
 DEVIATIONS FROM THE CONTRACT DOCUMENTS WITHOUT WRITTEN APPROVAL FROM THE CONSULTANT ARE SUBJECT TO CORRECTION AT THE CONTRACTOR'S EXPENSE.

ARCHITECT
 DIALOG
 35 JOHN STREET #500
 TORONTO, ON M5V 3G6
 Tel: 416-966-0220

URBAN PLANNER
 FOTENN
 396 COOPER ST. SUITE 300
 OTTAWA, ON K2P 2H7
 Tel: 613-730-5709

LANDSCAPE ARCHITECT
 DIALOG
 35 JOHN STREET #500
 TORONTO, ON M5V 3G6
 Tel: 416-966-0220

ENVIRONMENTAL/GEOTECHNICAL
 TERRAPEX ENVIRONMENTAL
 20 GURDWARA ROAD, UNIT 1
 OTTAWA, ONTARIO K2E 8B3
 Tel: (613) 745-6471

HERITAGE CONSULTANT
 MTBA
 222 LAURIER AVENUE EAST, STUDIO 201
 OTTAWA, ON K1N 6P2
 Tel: 613-244-2323

SEAL

PROJECT NORTH

1186-1194
 WELLINGTON ST W

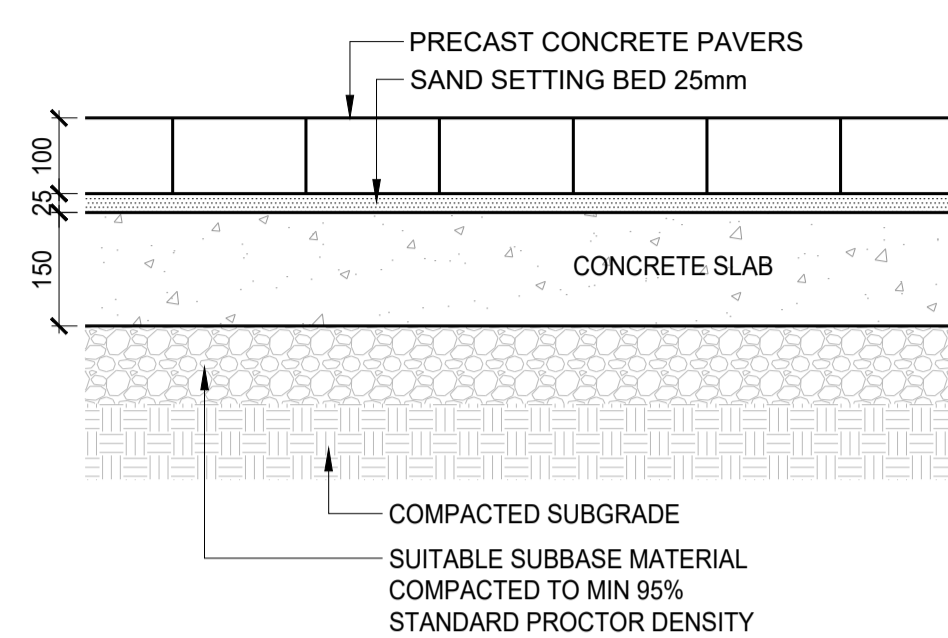
OTTAWA, ON K1Y 2Z5

**HARDSCAPE
 DETAILS**

DRAWN: EB
 PLOT DATE: 2021-06-23

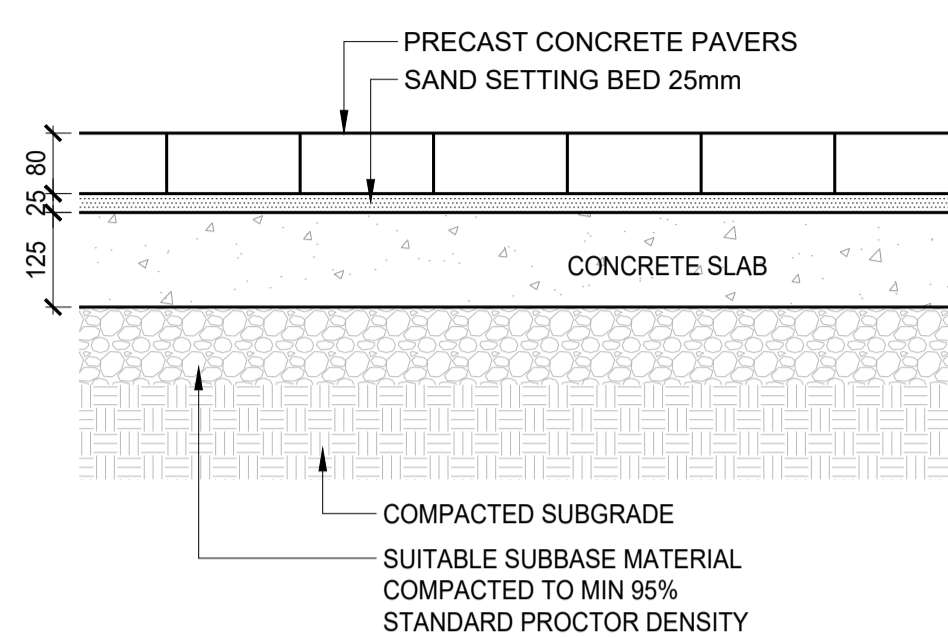
CHECKED: BM

L6.00



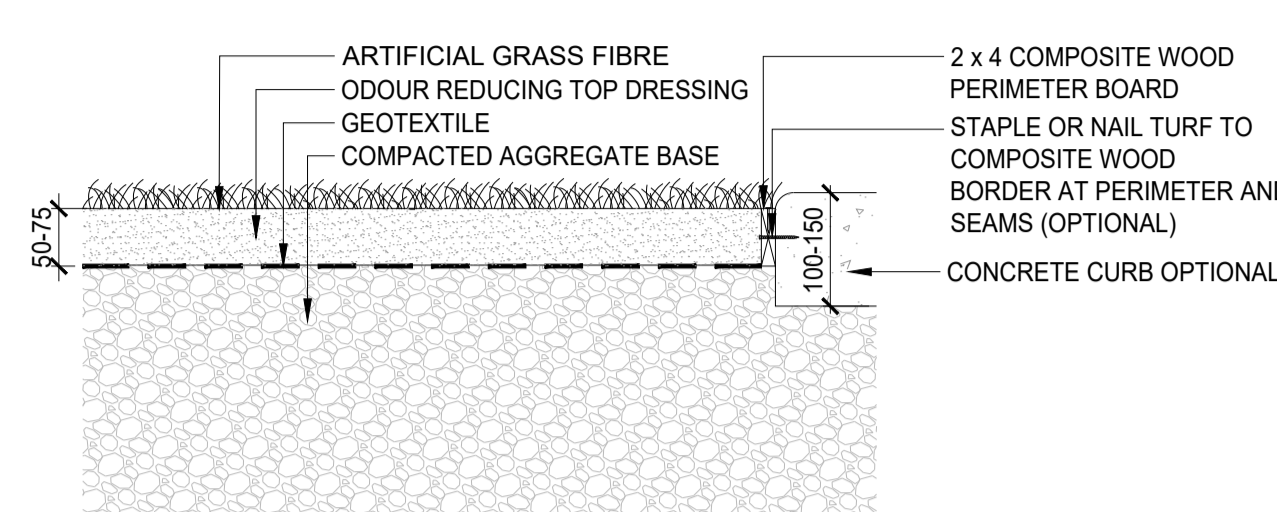
1 UNIT PAVING - VEHICULAR

L6.01 SCALE: 1:5



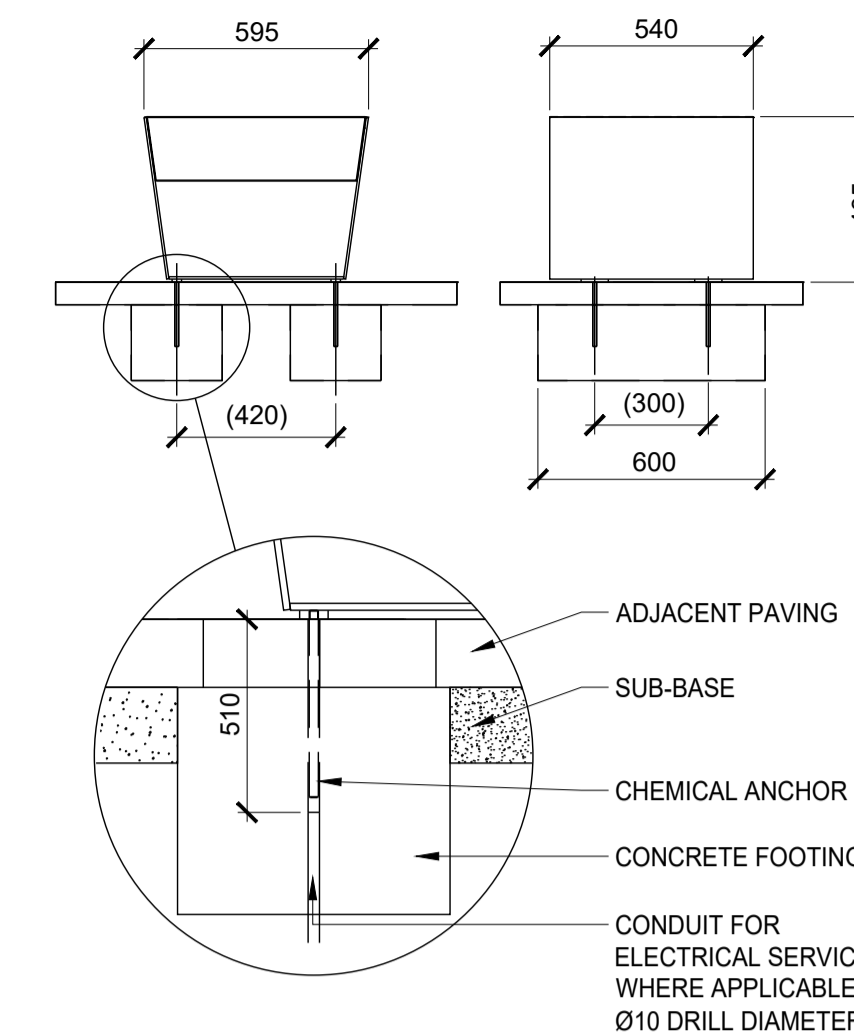
2 UNIT PAVING - PEDESTRIAN

L6.01 SCALE: 1:5



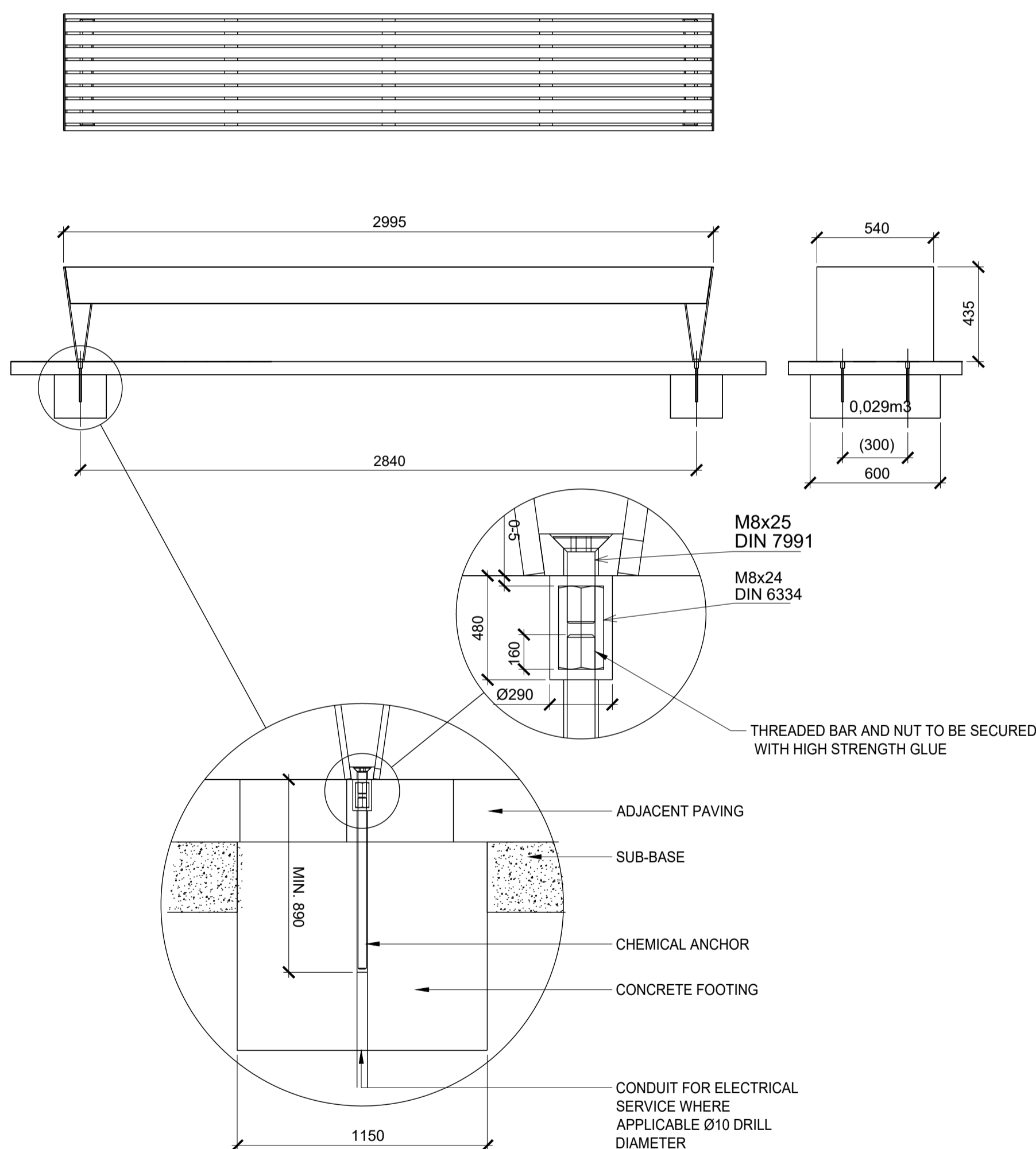
3 ARTIFICIAL TURF

L6.01 SCALE: 1:5



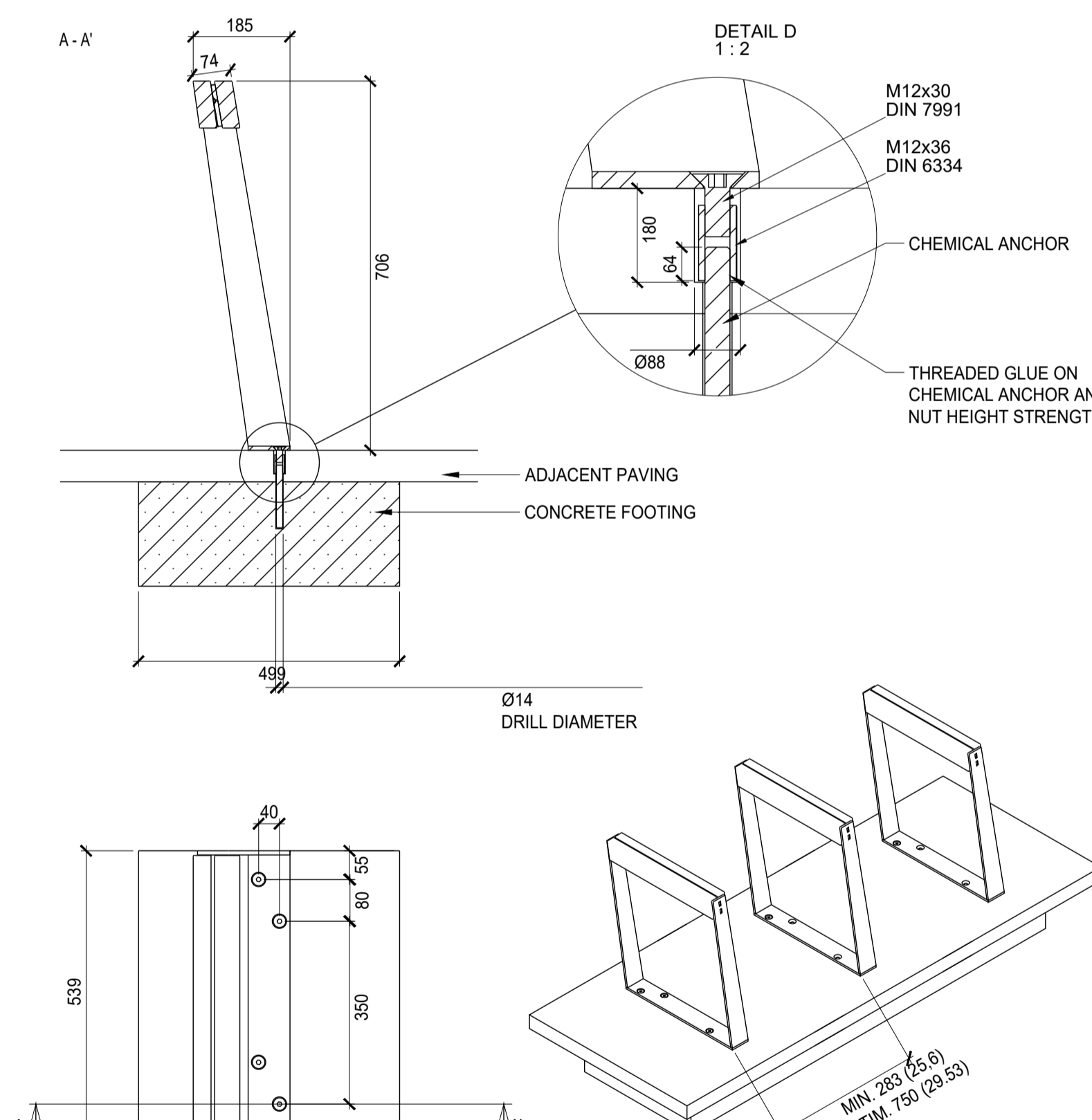
4 SHORT BENCH

L6.01 SCALE: 1:10



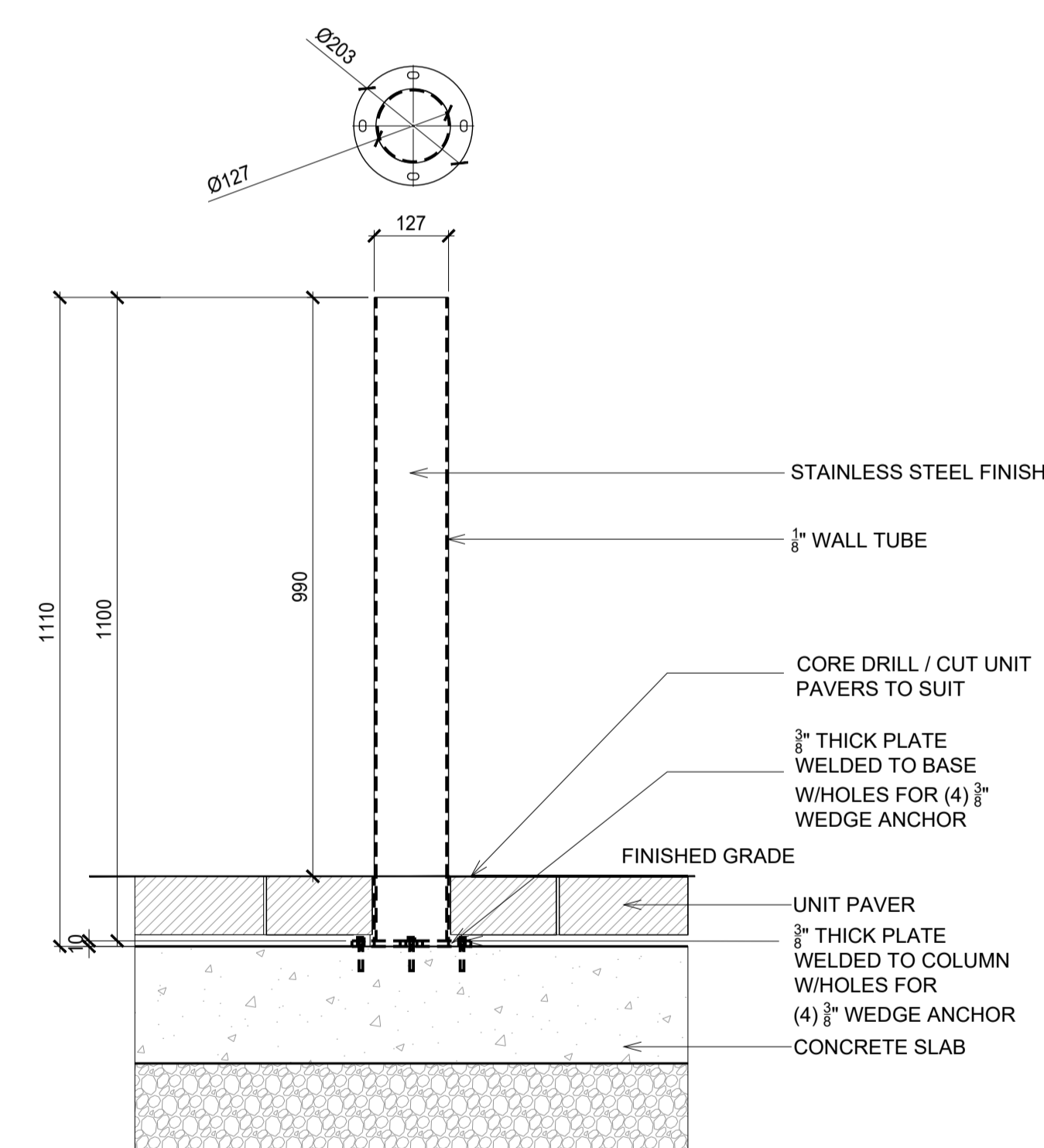
5 LONG BENCH

L6.01 SCALE: 1:20



6 BICYCLE RING

L6.01 SCALE: 1:10



7 BOLLARD

L6.01 SCALE: 1:10

ISSUED FOR

1	2021-06-25	ISSUED FOR OPA/ZBLA
2	2021-11-19	RE-ISSUED FOR OPA/ZBLA
3	2022-06-30	ISSUED FOR SPA

FOR INFORMATION ONLY
NOT FOR CONSTRUCTION

METRIC
THIS DRAWING IS COPYRIGHTED AND MUST NOT BE USED, REPRODUCED, OR REVISED WITHOUT WRITTEN PERMISSION.
ALL DIMENSIONS ARE IN MILLIMETERS UNLESS OTHERWISE NOTED. VERIFY DIMENSIONS. DO NOT SCALE THIS DRAWING.
REPORT INCONSISTENCIES AND OMISSIONS TO THE CONSULTANT FOR CLARIFICATION BEFORE COMMENCING WITH THE WORK.
DEVIATIONS FROM THE CONTRACT DOCUMENTS WITHOUT WRITTEN APPROVAL FROM THE CONSULTANT ARE SUBJECT TO CORRECTION AT THE CONTRACTOR'S EXPENSE.

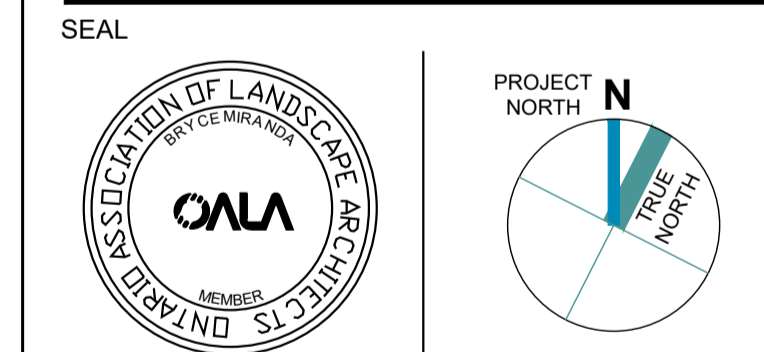
ARCHITECT
DIALOG
35 JOHN STREET #500
TORONTO, ON M5V 3G6
Tel: 416-966-0220

URBAN PLANNER
FOTENN
396 COOPER ST. SUITE 300
OTTAWA, ON K2P 2H7
Tel: 613-730-5709

LANDSCAPE ARCHITECT
DIALOG
35 JOHN STREET #500
TORONTO, ON M5V 3G6
Tel: 416-966-0220

ENVIRONMENTAL/GEOTECHNICAL
TERRAPEX ENVIRONMENTAL
20 GURDWARA ROAD, UNIT 1
OTTAWA, ONTARIO K2E 8B3
Tel: (613) 745-6471

HERITAGE CONSULTANT
MTBA
222 LAURIER AVENUE EAST, STUDIO 201
OTTAWA, ON K1N 6P2
Tel: 613-244-2323



1186-1194
WELLINGTON ST W

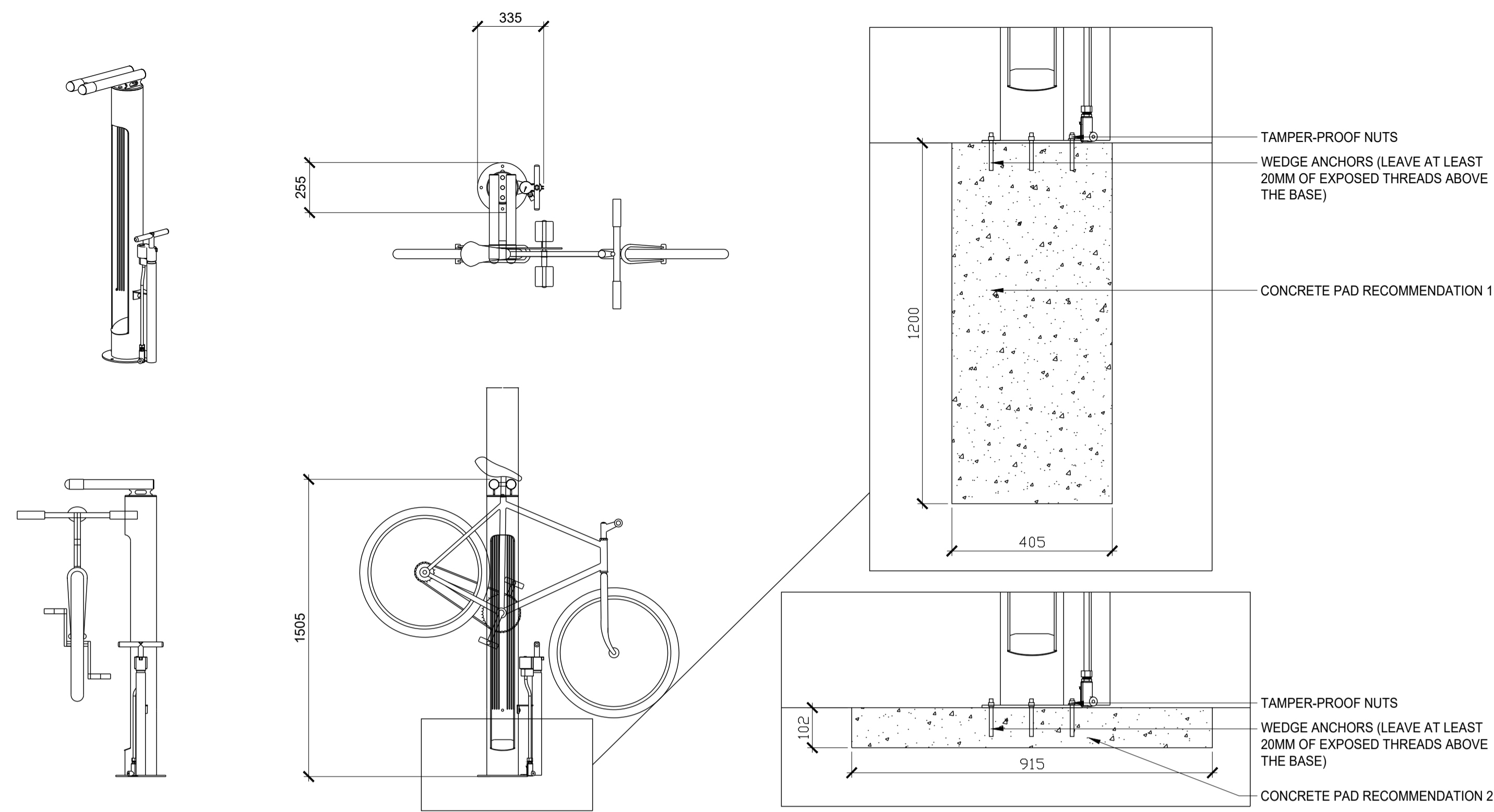
OTTAWA, ON K1Y 2Z5

**HARDSCAPE
DETAILS**

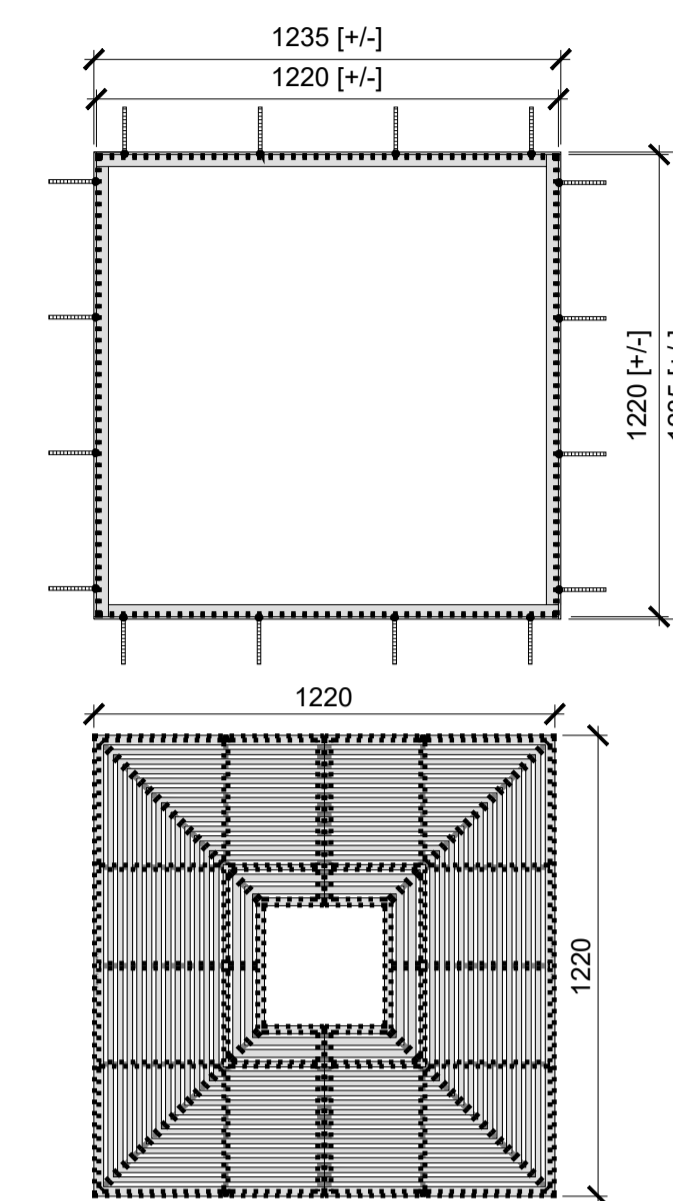
DRAWN: EB
PLOT DATE: 2021-06-23

CHECKED: BM

L6.01



1 BIKE REPAIR STATION
L6.02 SCALE: 1:20



2 TREE GRATE
L6.02 SCALE: 1:10

ISSUED FOR

- 1 2021-06-25 ISSUED FOR OPA/ZBLA
- 2 2021-11-19 RE-ISSUED FOR OPA/ZBLA
- 3 2022-06-30 ISSUED FOR SPA

METRIC

THIS DRAWING IS COPYRIGHTED AND MUST NOT BE USED, REPRODUCED, OR REVISED WITHOUT WRITTEN PERMISSION.
ALL DIMENSIONS ARE IN MILLIMETERS UNLESS OTHERWISE NOTED. VERIFY DIMENSIONS. DO NOT SCALE THIS DRAWING.
REPORT INCONSISTENCIES AND OMISSIONS TO THE CONSULTANT FOR CLARIFICATION BEFORE COMMENCING WITH THE WORK.
DEVIATIONS FROM THE CONTRACT DOCUMENTS WITHOUT WRITTEN APPROVAL FROM THE CONSULTANT ARE SUBJECT TO CORRECTION AT THE CONTRACTOR'S EXPENSE.

ARCHITECT

DIALOG
35 JOHN STREET #500
TORONTO, ON M5V 3G6
Tel: 416-966-0220

URBAN PLANNER

FOTENN
396 COOPER ST. SUITE 300
OTTAWA, ON K2P 2H7
Tel: 613-730-5709

LANDSCAPE ARCHITECT

DIALOG
35 JOHN STREET #500
TORONTO, ON M5V 3G6
Tel: 416-966-0220

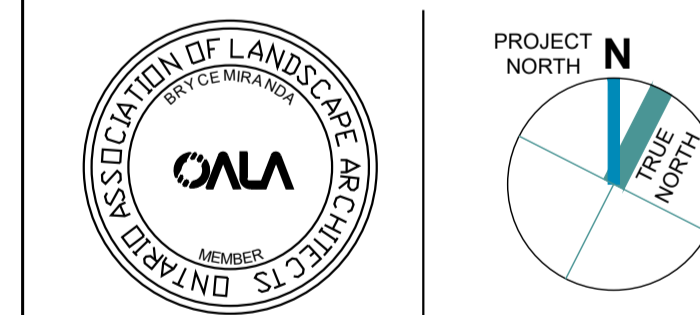
ENVIRONMENTAL/GEOTECHNICAL

TERRAPEX ENVIRONMENTAL
20 GURDWARA ROAD, UNIT 1
OTTAWA, ONTARIO K2E 8B3
Tel: (613) 745-6471

HERITAGE CONSULTANT

MTBA
222 LAURIER AVENUE EAST, STUDIO 201
OTTAWA, ON K1N 6P2
Tel: 613-244-2323

SEAL



1186-1194
WELLINGTON ST W

OTTAWA, ON K1Y 2Z5

HARDSCAPE
DETAILS

DRAWN: EB
PLOT DATE: 2021-06-23

CHECKED: BM

L6.02