

PLANTING SCHEDULE

KEY	QTY.	BOTANICAL NAME	COMMON NAME	SIZE / CONDITION / SPACING
DECIDUOUS TREES				
CM	1	Crataegus x mordenensis 'Toba'	Thornless Toba Hawthorn	50mm cal. / W.B.
DECIDUOUS SHRUBS				
Bt	24	Berberis thunbergii 'Aurea Nana'	Golden Dwarf Japanese Barberry	40cm ht. / 60cm sp.
Ca	6	Clethra alnifolia 'Hummingbird'	Summersweet	#2 Pot / 80cm sp.
Hp	12	Hydrangea paniculata Bobo	Bobo Hydrangea	#2 Pot / 80cm. sp.
Si	8	Spiraea japonica 'Anthony Waterer'	Anthony Waterer Spiraea	40cm #3 Pot / 60cm sp.
Sm	3	Syringa meyeri 'Palibiri'	Dwarf Korean Lilac	80cm ht. #7 Pot / 100cm sp.
EVERGREEN SHRUBS				
TC	3	Taxus cuspidata 'Nana'	Drawf Japanese Yew	40cm #5 Pot / 1.2 m sp.
PERENNIALS & GRASSES				
af	9	Athyrium filix-femina	Lady Fern	#1 Pot / 60cm o.c.
hf	5	Hosta 'Fire Island'	Fire Island Hosta	#1 Pot / 60cm o.c.
hh	4	Hosta 'Halcyon'	Halcyon Hosta	#1 Pot / 85cm o.c.
hj	5	Hosta 'June'	June Hosta	#1 Pot / 70cm o.c.
hk	2	Hosta 'Krossa Regal'	Krossa Regal Hosta	#1 Pot / 120cm o.c.
hr	3	Hosta 'Royal Standard'	Royal Standard Hosta	#1 Pot / 115cm o.c.
pa	15	Perovskia atriplicifolia 'Denim 'n Lace'	Russian Sage	#1 Pot / 45cm o.c.
ti	27	Tiarella cordifolia	Foam Flower	#1 Pot / 40cm sp.

NOTES:
 DO NOT SCALE DRAWINGS.
 NOTES ARE APPLICABLE TO ALL DRAWINGS IN THE SET:
 Fotenn Consultants Inc. IS NOT RESPONSIBLE FOR ACCURACY OF BASE INFORMATION.
 THIS PLAN IS TO BE READ IN CONJUNCTION WITH THE TREE CONSERVATION REPORT PREPARED BY IFS ASSOCIATES
 REFER TO CIVIL ENGINEERING DRAWINGS FOR GRADING & SITE SERVICING INFORMATION.
 THE CONTRACTOR IS RESPONSIBLE FOR CONFIRMING SITE CONDITIONS AND REPORTING ANY DISCREPANCIES TO THE LANDSCAPE ARCHITECT.
 THE CONTRACTOR IS RESPONSIBLE FOR CONFIRMING EXACT LOCATIONS OF ALL UNDERGROUND SERVICES AND OBTAINING CLEARANCE FROM ALL APPLICABLE UTILITIES. PROPOSED WORKS FOUND TO BE IN CONFLICT WITH UNDERGROUND SERVICES MAY BE ADJUSTED AT THE DIRECTION OF THE LANDSCAPE ARCHITECT.
 LANDSCAPE ELEMENTS SHOWN ARE SUBJECT TO THE FINAL LOCATION OF UNDERGROUND SERVICES AND UTILITIES.
 DO NOT INSTALL TREES ON PROPERTY / LOT LINES OR WITHIN DRAINAGE EASEMENTS.
 PERFORM WORK IN ACCORDANCE WITH DETAILS AND SPECIFICATIONS.
 ALL PLANT MATERIAL SHALL BE No. 1 NURSERY STOCK AND SHALL MEET OR EXCEED THE SPECIFICATION OF THE Canadian Standards for Nursery Stock, AS PUBLISHED BY THE Canadian Nursery Landscape Association;
 SPECIES SUBSTITUTIONS ARE NOT PERMITTED WITHOUT PRIOR WRITTEN APPROVAL OF THE LANDSCAPE ARCHITECT.
 ALL UN-PAVED SURFACES TO RECEIVE 150mm DEPTH TOPSOIL & SOD.

Copyright Reserved
 The Copyrights to all designs and drawings are the property of Fotenn Consultants Inc. Unauthorized reproduction or use is forbidden. DO NOT SCALE DRAWING

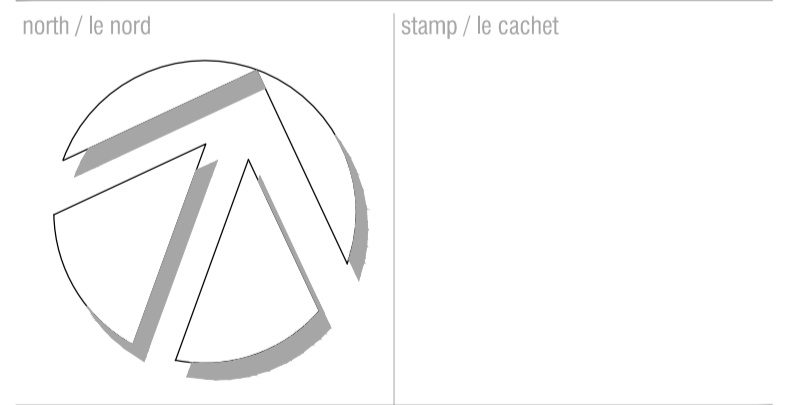
Copyright réservés
 Les droits d'auteur à tous les modèles et dessins sont la propriété de Fotenn Consultants Inc. Reproduction ou utilisation non autorisée est interdite. NE PAS L'ÉCHELLE DE DESSIN



- Legend / Légende
- LIMIT OF WORK
 - EXISTING TREES TO REMAIN - REFER TO TCR FOR TREE CONSERVATION/REMOVALS AND CITY OF OTTAWA STANDARD TREE PROTECTION SPECIFICATION
 - TRUNK LOCATION OF EXISTING TREE (AS PER TOPO SURVEY)
 - PROPOSED MEDIUM DECIDUOUS TREE
 - PROPOSED SHRUB / PERENNIAL PLANTING
 - ↓ SOD
 - ▒ PRECAST CONCRETE UNIT PAVERS - REFER TO 3-L2
 - ▒ RIVER STONE

rev/n	description / la description	yyyy/mm/dd
00	Issue for Client review	2022-06-16

FOTENN Planning + Design
 396 Cooper Street, Suite 300
 Ottawa, ON, CANADA K2P 2H7
 613.730.5709
 fotenn.com



project / projet
211 ARMSTRONG STREET
 drawing / dessin

LANDSCAPE PLAN

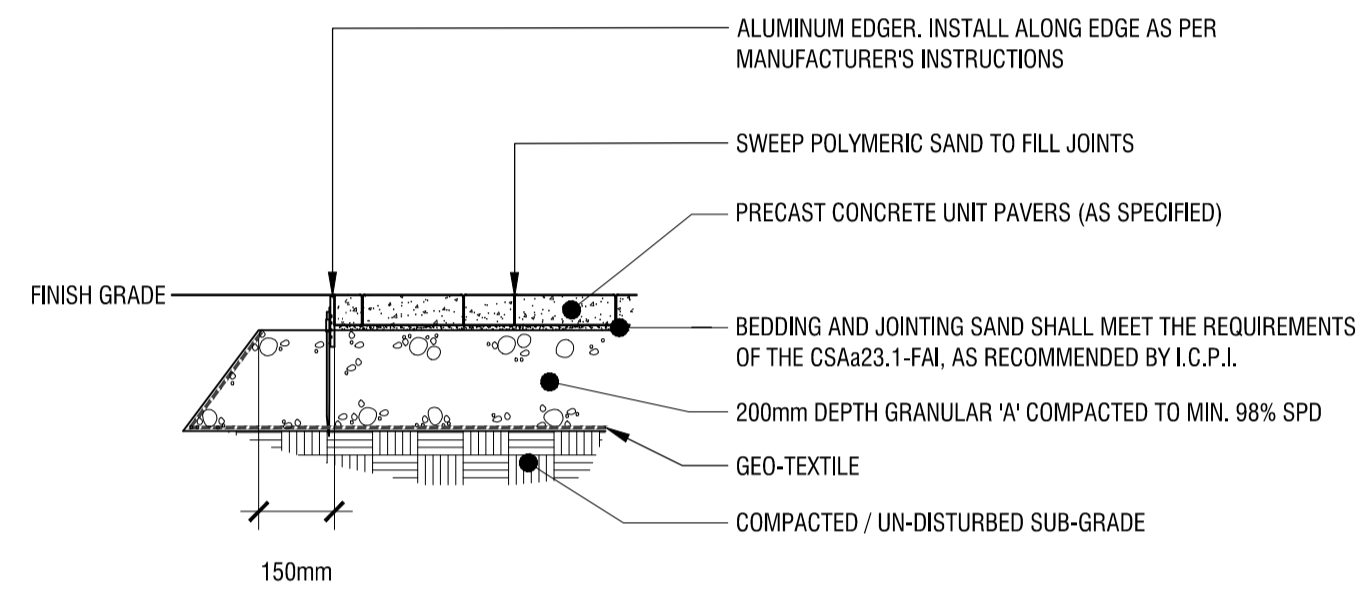
designed / conçu SG	drawn / dessiné SG	reviewed / examiné OM/DF
date JUNE 2022		
drawing number / No. du dessin		



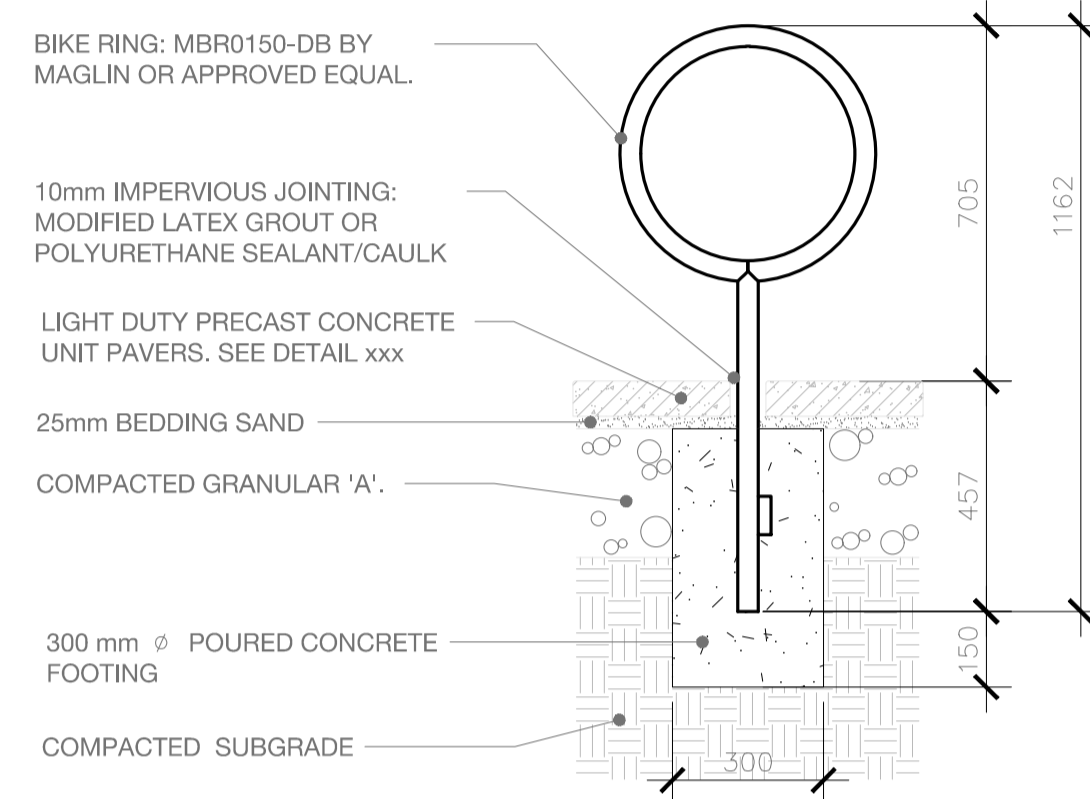
Legend / légende



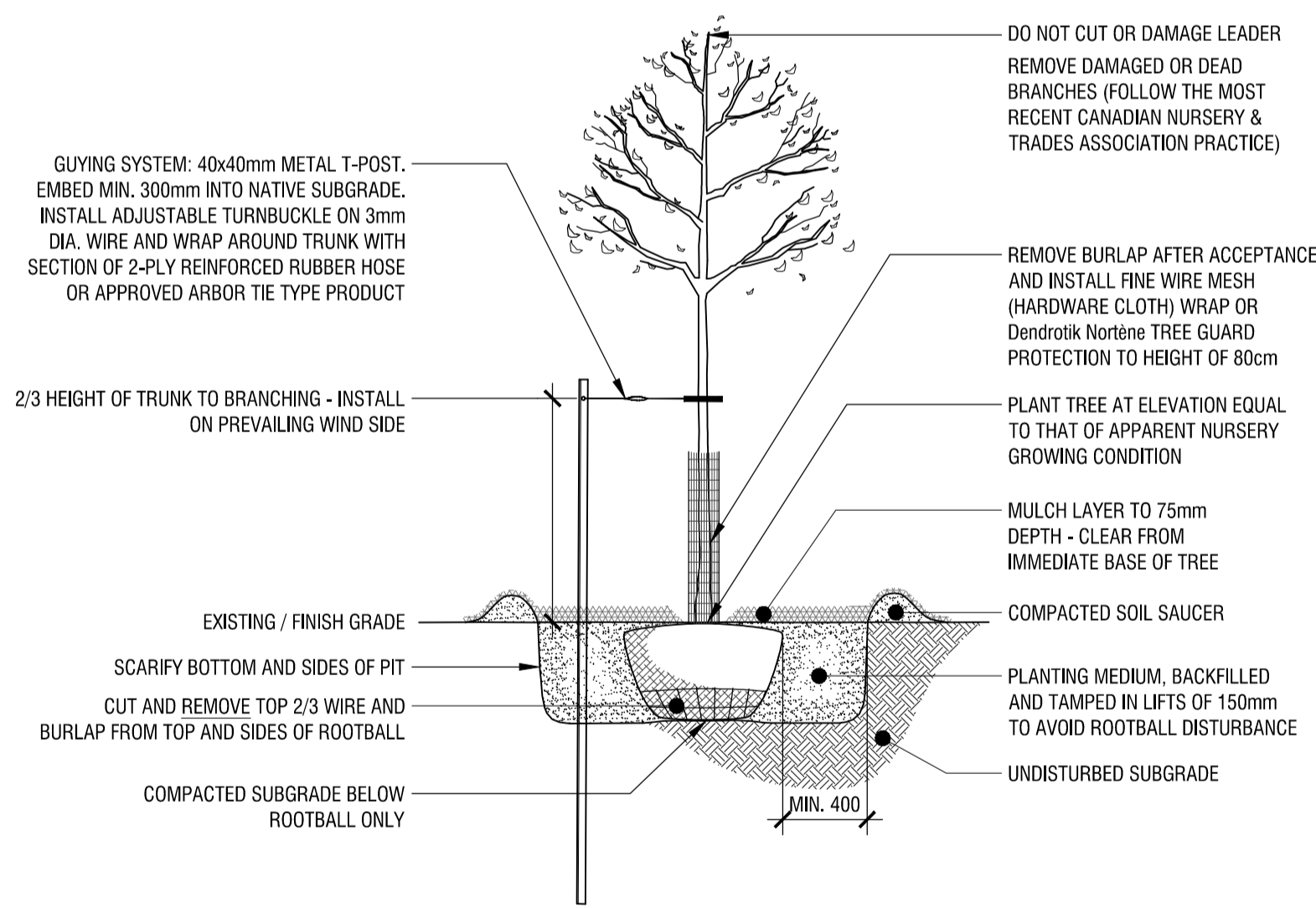
1 1.8m CEDAR PRIVACY FENCE (EXAMPLE)
L2 NTS



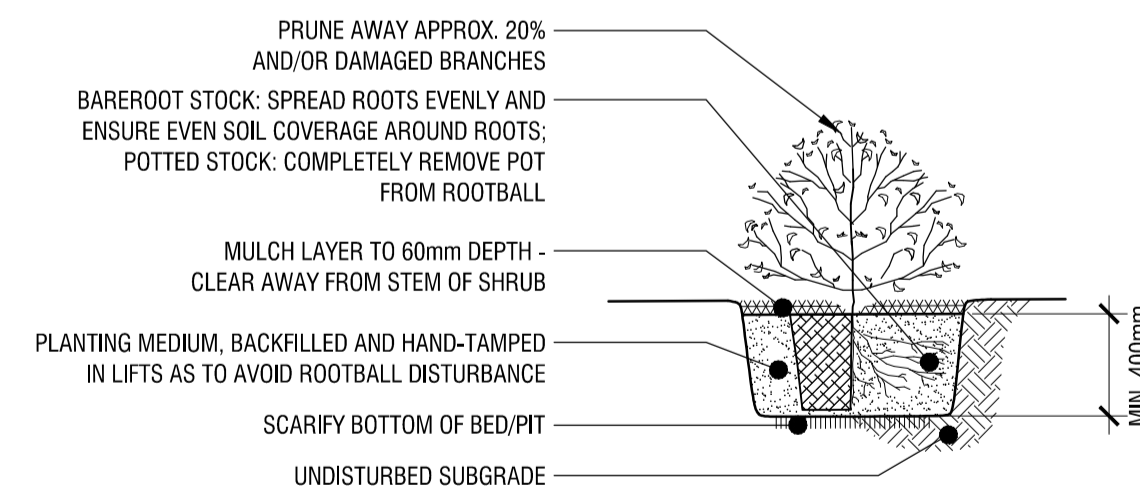
2 PRE-CAST CONCRETE UNIT PAVER
L2 1:15



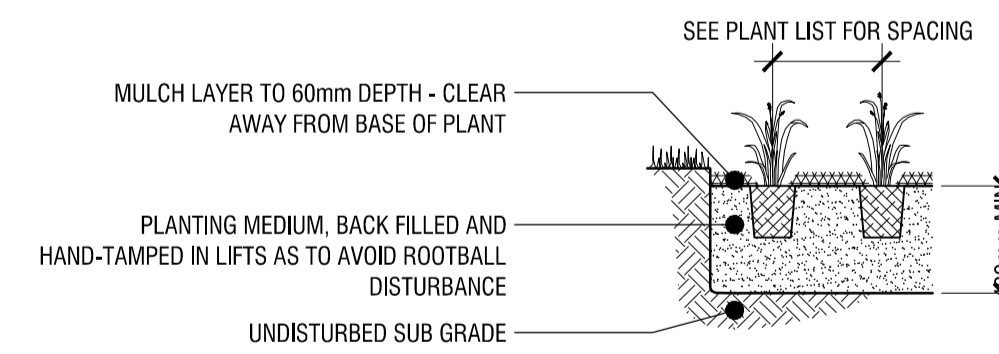
3 BIKE RACK
L2 1:15



4 DECIDUOUS TREE PLANTING DETAIL
L2 1:30



5 SHRUB PLANTING DETAIL
L2 1:30



6 SHRUB PLANTING DETAIL
L2 1:25

00	issue for Client review	2022-06-16
----	-------------------------	------------

rev'n	description / la description	yyyy/mm/dd
-------	------------------------------	------------

FOTENN Planning + Design
 396 Cooper Street, Suite 300
 Ottawa, ON, CANADA K2P 2H7
 613.730.5709
 fotenn.com

north / le nord	stamp / le cachet
-----------------	-------------------

project / projet
211 ARMSTRONG STREET
 drawing / dessin

CONSTRUCTION DETAILS

designed / conçu	drawn / dessiné	reviewed / examiné
SG	SG	OM/DF
date	project number / No. du projet	
JUNE 2022		