

BAYVIEW WATERIDGE INC.

**1345 HEMLOCK ROAD, 375 CODD'S ROAD AND
1375 HEMLOCK ROAD, RESIDENTIAL
DEVELOPMENT, OTTAWA, ON
SERVICING REPORT**

AUGUST 19, 2024
5TH SUBMISSION





**1375 HEMLOCK ROAD, 375
Codd's Road and 1375
HEMLOCK ROAD, RESIDENTIAL
DEVELOPMENT, OTTAWA, ON
SERVICING REPORT**

BAYVIEW WATERIDGE INC.

**SITE PLAN APPLICATION
5TH SUBMISSION**

**PROJECT NO.: 221-00473-00
DATE: AUGUST 2024**

**WSP CANADA INC.
2611 QUEESVIEW DRIVE, SUITE 300
OTTAWA, ON, CANADA, K2B 8K2**

TEL.: +1 613-829-2800

WSP.COM

SIGNATURES

PREPARED AND REVIEWED BY



Winston Ding Bang Yang, P.Eng
Senior Civil Engineer



This report was prepared by WSP Canada Inc. for the account of Bayview Wateridge Inc., in accordance with the professional services agreement. The disclosure of any information contained in this report is the sole responsibility of the intended recipient. The material in it reflects WSP Canada Inc.'s best judgement in light of the information available to it at the time of preparation. Any use which a third party makes of this report, or any reliance on or decisions to be made based on it, are the responsibility of such third parties. WSP Canada Inc. accepts no responsibility for damages, if any, suffered by any third party as a result of decisions made or actions based on this report. This limitations statement is considered part of this report.

The original of the technology-based document sent herewith has been authenticated and will be retained by WSP for a minimum of ten years. Since the file transmitted is now out of WSP's control and its integrity can no longer be ensured, no guarantee may be given with regards to any modifications made to this document.



TABLE OF CONTENTS

1	GENERAL.....	11
1.1	Executive summary	11
1.2	Date and Revision Number	12
1.3	Location Map and Plan	13
1.4	Pre-Consultation meetings.....	13
1.5	Higher level studies	13
1.6	Available existing and proposed infrastructure.....	14
1.7	Concept level master grading plan	14
1.8	Geotechnical study	14
2	WATER DISTRIBUTION	15
2.1	Consistency with master servicing study and availability of public infrastructure.....	15
2.2	System constraints and boundary conditions.....	15
2.3	Confirmation of adequate domestic supply and pressure	16
2.4	Confirmation of adequate fire flow protection.....	18
2.5	Check of high pressure.....	18
2.6	Reliability requirements	19
2.7	Description of proposed water distribution network.....	19
3	WASTEWATER DISPOSAL.....	20
3.1	Design Criteria.....	20
3.2	Consistency with master servicing study	20
3.3	Description of existing sanitary sewer	20
3.4	Verification of available capacity in downstream sewer	20
3.5	Calculations for New sanitary sewer.....	21
3.6	Description of proposed sewer network.....	21



4	SITE STORM SERVICING	22
4.1	Existing condition	22
4.2	Analysis of available capacity in public infrastructure	22
4.3	Drainage drawing	22
4.4	Water quantity control objective.....	23
4.5	Water quality control objective	23
4.6	Design criteria	23
4.7	Proposed minor system.....	23
4.8	Watercourses	23
4.9	Impacts to receiving watercourses	24
5	SEDIMENT AND EROSION CONTROL	25
5.1	General	25
6	APPROVAL AND PERMIT REQUIREMENTS	26
6.1	General	26
7	CONCLUSION CHECKLIST	27
7.1	Conclusions and recommendations.....	27
7.2	Comments received from review agencies	27

TABLES

TABLE 2-1:	BOUNDARY CONDITIONS.....	15
TABLE 2-2:	IBI HYDRAULIC MODELLING RESULTS FROM PHASE 1B.....	16
TABLE 2-3:	IBI HYDRAULIC MODELLING RESULTS FROM PHASE 2B.....	16
TABLE 4-1:	IBI STORM WATER MODELLING RESULTS FROM PHASE 2B AND UPDATED EVALUATION 2022.....	22

FIGURES

FIGURE 1-1	SITE LOCATION.....	13
------------	--------------------	----

APPENDICES

A

- PRE-CONSULTATION MEETING NOTES
- TOPOGRAPHIC SURVEY PLAN
- IBI CONFIRMATION EMAIL
- IBI DESIGN BRIEF AND UPDATED MEMO REPORT (ATTACHED SEPERATELY)

B

- WATERMAIN BOUNDARY CONDITIONS FROM CITY OF OTTAWA
- EMAILS FROM CITY OF OTTAWA
- FIRE UNDERWRITERS SURVEY - FIRE FLOW CALCULATION
- WATER DEMAND CALCULATION
- MEMO FROM ARCHITECT

C

- SANITARY SEWER DESIGN SHEET



D

- STORM SEWER DESIGN SHEET
- GRADING PLANS
- SERVICING PLANS
- DRAINAGE AREAS PLANS
- STORMTECH CHAMBERS

E

- EROSION AND SEDIMENTATION CONTROL PLANS

F

- SUBMISSION CHECK LIST

1 GENERAL

1.1 EXECUTIVE SUMMARY

WSP was retained by Bayview Wateridge Inc. to provide servicing and grading design services for the proposed new residential development consists of three residential developments sites at 1375 Hemlock Road, 1345 Hemlock Road and 375 Codd's Road, located at the northeast corner of Codd's Road and Hemlock Road within the Wateridge Subdivision developed by Canada Land Company (CLC). The construction of sewers and base course asphalt have been completed on Codd's Road, Hemlock Road and Barielle Snow Street, on which the three properties will front. All services for the three development sites will be available from Codd's Road and Barielle-Snow Street. The subjected developments are bounded by the Phase 1 and Phase 2 of the subdivision development. The future Phase 2A, 2C and 2D subdivision development is proposed north of the site along Tawadina Road which is currently under construction. This report outlines findings and calculations pertaining to the servicing of the proposed development for building 1, 2 and 3 with a gross lot area of 0.519 Ha, 0.374 Ha and 0.374 Ha respectively.

The surrounding neighbourhood is being developed by CLC with the IBI Group providing engineering design services. Information regarding the proposed municipal services was provided by IBI, as described in Design Brief – Wateridge Village at Rockcliffe Phase 1B, Project: 38298-5.2.2, Revised June 16, 2017. And the services have been modified once again during construction of phase 2B, changes have been made on Design Brief – Wateridge Village at Rockcliffe Phase 2B, Project: 118863-5.2.2, revised April 2019. Excerpts from the two Design Briefs are provided in Appendix A of this report.

Currently the land proposed for the residential development is the predeveloped vacant land mainly covered by grass and it is part of the Wateridge Subdivision Development. The total study area for all three sites were considered to be 0.519 Ha, 0.374 Ha and 0.374 Ha in size. The site for Building 1 is bounded by existing residential development to the east, and future residential development to the north, west and south. Building 2 is bounded by future residential development to the north, east and south, and future park to the west. Building 3 is bounded by future residential development to the north, east and west, and future park to the south.

They are blocks 11, 12, 13 from the registered plan 4m-1651, City of Ottawa (refer to Appendix A for the Topographical Survey Plan by Annis, O'Sullivan, Vollebakk Ltd, February 2022). Based on the topographic survey, the ground is sloping from Tawadina Road down to Hemlock Street, temporary swales and ditch inlet catchbasins have been installed to convey the overland runoff to the existing storm sewers along Codd's Road and Hemlock Street. Significant infrastructure has been previously installed around the perimeter of the development lands as part of the development of the Wateridge subdivision. Most of the infrastructure have been designed with enough capacity to accommodate the future development of the subject sites. The existing piped stormwater system within Wateridge subdivision development Phase 2B conveys drainage to the existing eastern SWM facility next to the Sir-George Etienne Cartier then discharges to the existing Ottawa River to the north.

As per the Wateridge Subdivision Development 2B Design Briefs and the Assessment of Revised Block 11 and 12 Storm and Sanitary Servicing Report by IBI Group, the following criteria apply: runoff from all storm events up to and including the 1:100 year event must be restricted to a calculated rate based on the simulated flow of 105 l/s, 95 l/s and 139 l/s for parcel 2, 3 and 5 respectively.

Also, as part of the Wateridge Village low impact development (LID) Demonstration project, this phase will include stormwater management treatment strategies that maximize pervious surfaces and increase infiltration and groundwater recharge through of lot-level (source), conveyance and end-of-pipe stormwater management controls.

From both IBI design briefs and LID check list, the subject sites will need to provide infiltration and active storage to accommodate runoff from the first 15mm rain event to 1:100-year event. Stormwater quality control is not required for these sites.

Design of a drainage and stormwater management system in this development have been prepared in accordance with the following documents:

- Sewer Design Guidelines, City of Ottawa, October 2012;
- Stormwater Management Planning and Design Manual, Ministry of the Environment, March 2003; and
- Stormwater Management Facility Design Guidelines, City of Ottawa, April 2012

This report was prepared utilizing servicing design criteria obtained from available sources, and outlines the design for water, sanitary wastewater, and stormwater facilities.

The format of this report matches that of the servicing study checklist found in Section 4 of the City of Ottawa's Servicing Study Guidelines for Development Applications, November 2009.

The following municipal services are available within Campeau Drive and Cordillera Street to the development as recorded from as-built drawings from City of Ottawa:

Codd's Road:

- 750 mm concrete storm sewer, 250mm PVC sanitary sewer and 406mm PVC watermain.

Bareille-Snow Street:

- 525mm concrete storm sewer, 250mm PVC sanitary and 203mm PVC watermain.

Hemlock Road:

- 1200mm concrete storm sewer, 250mm PVC sanitary and 305mm PVC watermain.

It is proposed that:

- On-site stormwater management systems, employing underground infiltration chamber will be provided to attenuate flow rates leaving the sites as much as possible to achieve the developed flow rate by IBI Group and LID requirements. Existing drainage patterns, previously established controlled flow rates and storm sewers will be maintained. Refer to SWM report for details calculation.

1.2 DATE AND REVISION NUMBER

This version of the report is the fifth revision, dated August 19, 2024.

1.3 LOCATION MAP AND PLAN

The proposed residential developments at 1000 and 1050 Tawdina Street, in the City of Ottawa at the location shown in Figure 1-1 below.

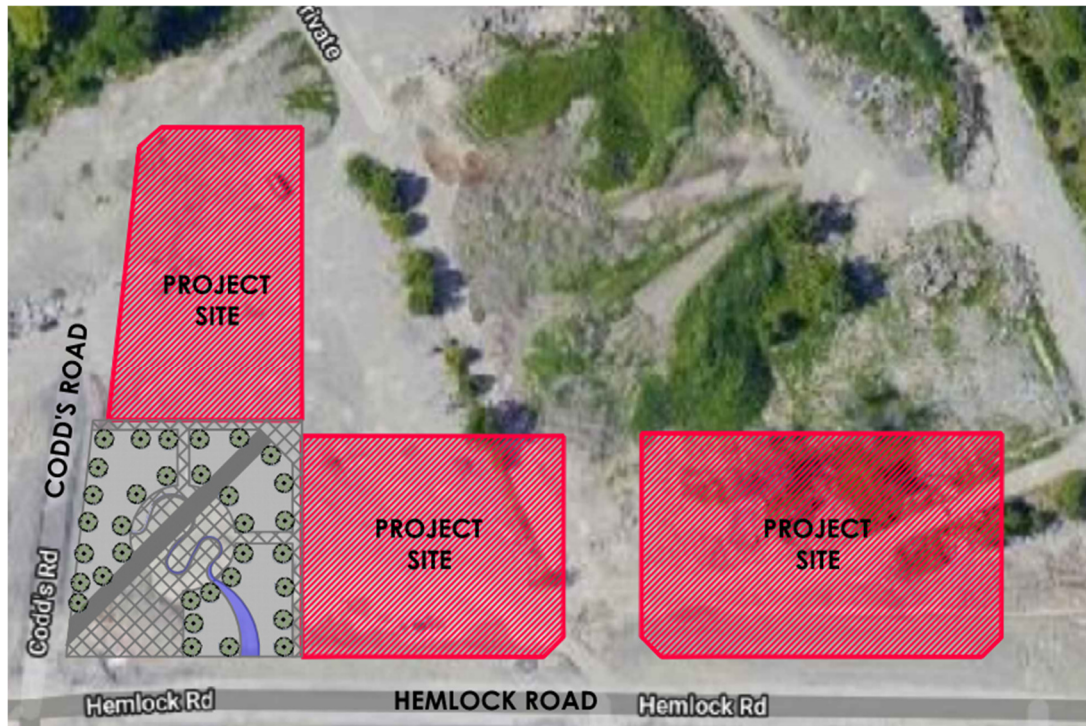


Figure 1-1 Site Location

1.4 PRE-CONSULTATION MEETINGS

A pre-consultation meeting was held with the City of Ottawa on February 3, 2022. Notes from this meeting are provided in Appendix A.

1.5 HIGHER LEVEL STUDIES

The review for servicing has been undertaken in conformance with, and utilizing information from, the following documents:

- Ottawa Sewer Design Guidelines, Second Edition, Document SDG002, October 2012, City of Ottawa including:
 - Technical Bulletin ISDTB-2012-4 (20 June 2012)
 - Technical Bulletin ISDTB-2014-01 (05 February 2014)
 - Technical Bulletin PIEDTB-2016-01 (September 6, 2018)
 - Technical Bulletin ISDTB-2018-01 (21 March 2018)
 - Technical Bulletin ISDTB-2018-04 (27 June 2018)

- Ottawa Design Guidelines – Water Distribution, July 2010 (WDG001), including:
 - Technical Bulletin ISDTB-2014-02 (May 27, 2014)
 - Technical Bulletin ISTB-2018-02 (21 March 2018)
 - Stormwater Management Planning and Design Manual, Ontario Ministry of the Environment and Climate Change, March 2003 (SMPDM).
 - Design Guidelines for Drinking-Water Systems, Ontario Ministry of the Environment and Climate Change, 2008 (GDWS).
 - Fire Underwriters Survey, Water Supply for Public Fire Protection (FUS), 2022.
-

1.6 AVAILABLE EXISTING AND PROPOSED INFRASTRUCTURE

A municipal sanitary sewer, a municipal storm sewer and a watermain are located within both Codd's Road and Bareille-Snow Street right of way. A new sanitary sewer, two new storm sewers and a new water service will be connected to the existing sewers along Codd's Road from the proposed development of building 3. A new sanitary sewer, two new storm sewers and a new water service will be connected to the existing sewers along Bareille-Snow Street from both the proposed development of building 1 and 2. Ultimately, the storm flows from Codd's Road and Bareille-Snow Street (servicing the three sites) to the Hemlock Road storm sewer are intended to be directed to a permanent stormwater management pond that will provide quality and quantity treatment for most of the phase 1 and phase 2 development of the Wateridge Subdivision, and including the three subjected sites. Quality control is also not required on the subjected sites. The existing boundary roads at the site will remain open.

1.7 CONCEPT LEVEL MASTER GRADING PLAN

A detailed grading plan for all three sites have been developed, matching the existing overland flow pattern of directing overflow drainage to Hemlock Road. The site topographic survey, included in Appendix A, provides evidence of direction of overland flow of all three sites.

The proposed grading will be reviewed by the geotechnical engineer. The geotechnical investigation was completed in August 2022 by Yuri Mendez Engineering. The grading along the site boundaries bordering Wateridge lands have been coordinated with Wateridge's engineering consultant. The site topographic survey provides evidence of direction of overland flow of the site. Minor grade changes will be made to grades at the development perimeter for the proposed entrances.

Grading will employ smooth transitions from the new work areas to existing grades with less than 4.0% slope. No changes will be made to grades at the development perimeter other than the locations mentioned above.

1.8 GEOTECHNICAL SUTDY

A geotechnical investigation report has been prepared by Yuri Mendez Engineering (Memo No. 44-BHH-R0, May 24, 2022), and its recommendations has been taken into account in developing the engineering specifications. Yuri Mendez Engineering has also prepared a follow up commentary based on a geotechnical review of the proposed grading plan to access the soil amendment at the landscaping area. The letter can be found in Geotechnical report.

2 WATER DISTRIBUTION

2.1 CONSISTENCY WITH MASTER SERVICING STUDY AND AVAILABILITY OF PUBLIC INFRASTRUCTURE

There are an existing 406mm diameter municipal watermain along Codd's Road and 203mm diameter municipal watermain along Bareille-Snow Street providing water to building 1, 2 and 3.

All buildings will be protected with supervised automatic fire protection sprinkler system and will require dual 203mm diameter water services. The fire department connection for Building 1 and 2 are located at the south side of the buildings fronting to Hemlock Road. They are within 45m from the existing municipal fire hydrant on Hemlock Road. The fire department connection for Building 3 is located at the west side of the building fronting to Codd's Road which is within 45m from one of the existing municipal fire hydrants on Codd's Road. No changes are required to the existing City water distribution system to allow servicing for all three properties.

All three buildings will be serviced with dual water services connections and an isolation valve in between will be made to the existing 203mm diameter municipal watermain on Bareille-Snow Street for the proposed Building 1 and 2, and made to the existing 406mm diameter municipal watermain on Codd's Road for Building 3. The Dual 203mm diameter private water services connecting the existing municipal watermain will provide redundancy for the proposed buildings. The dual 203mm dia. water services will be extended 1 meter away from the building mechanical room.

2.2 SYSTEM CONSTRAINTS AND BOUNDARY CONDITIONS

Boundary conditions have been provided by the City of Ottawa at the 406mm diameter watermain on Codd's Road for the Building 3 development and at the 203mm diameter watermain on Bareille-Snow Street and for both Building 1 and 2 developments, and are included in Appendix B. A maximum fire flow of 117 l/s (7,000 l/min) was used for Building 1 development and 67 l/s (400 l/min) was used for both Building 2 and 3 which were calculated in Section 2.4. The boundary conditions were supplied by the City of Ottawa, based on fire flows and domestic demands estimated by WSP for the proposed residential development.

The IBI hydraulic modelling indicated the hydraulic pressure for different scenario conditions were also shown below, based on fire flows and domestic demands estimated by IBI Group for the proposed developments.

Table 2-1: Boundary Conditions

BOUNDARY CONDITIONS			
SCENARIO	Building 1 Bareille-Snow Street	Building 2 Bareille-Snow Street	Building 3 Codd's Road
Maximum HGL	143	143	143
Minimum HGL (Peak Hour)	143	143	143

Max Day + Fire Flow (117 l/s)	141.1	N/A	N/A
Max Day + Fire Flow (67 l/s)	N/A	142.1	142.8

Table 2-2: IBI Hydraulic Modelling Results from Phase 1B

	Hydraulic Modelling Results @ J62	Hydraulic Modelling Results @ J32	Hydraulic Modelling Results @ J64
Basic Day (MAX HGL) at HGL 143.0m	520.6 kPa	537.8 kPa	527.9 kPa
Peak Hour (MIN HGL) at HGL 142.0m	506.9 kPa	524.0 kPa	514.1 kPa
Max Day + Fire Flow at HGL 139.5 – 140.2m	773.2 l/s	872.3 l/s	804.4 l/s

Table 2-3: IBI Hydraulic Modelling Results from Phase 2B

	Hydraulic Modelling Results @ J62	Hydraulic Modelling Results @ I16	Hydraulic Modelling Results @ J64
Basic Day (MAX HGL) at HGL 143.0m	559.5 kPa	560.9 kPa	566.8 kPa
Peak Hour (MIN HGL) at HGL 142.0m	506.7 kPa	508.1 kPa	514.0 kPa
Max Day + Fire Flow at HGL 139.5 – 140.2m	862.9 l/s	469.1 l/s	810.9 l/s

2.3 CONFIRMATION OF ADEQUATE DOMESTIC SUPPLY AND PRESSURE

Water demands are based on Table 4.2 of the Ottawa Design Guidelines – Water Distribution. As previously noted, the development is considered as institutional development, consisting of an Athletics and Recreation Centre providing food service, gymnasium and leisure facilities. A water demand calculation sheet is included in Appendix B, and the total water demands are summarized as follows:

	Building 1	Building 2	Building 3
Average Day	1.32 l/s	0.81 l/s	0.73 l/s
Maximum Day	3.30 l/s	2.01 l/s	1.82 l/s
Peak Hour	7.25 l/s	4.41 l/s	3.99 l/s

The 2010 City of Ottawa Water Distribution Guidelines stated that the preferred practice for design of a new distribution system is to have normal operating pressures range between 345 kPa (50 psi) and 552 kPa (80 psi) under maximum daily flow conditions. Other pressure criteria identified in the guidelines are as follows:

Minimum Pressure	Minimum system pressure under peak hour demand conditions shall not be less than 276 kPa (40 psi)
Fire Flow	During the period of maximum day demand, the system pressure shall not be less than 140 kPa (20 psi) during a fire flow event.
Maximum Pressure	Maximum pressure at any point the distribution system shall not exceed 689 kPa (100 psi). In accordance with the Ontario Building/Plumbing Code, the maximum pressure should not exceed 552 kPa (80 psi). Pressure reduction controls may be required for buildings where it is not possible/feasible to maintain the system pressure below 552 kPa.

Building 1 at Bareille-Snow Street:

Water pressure at municipal connection check:

Min. HGL @ Building 1 – Pavement elevation = 143.0m – 88.99m = 54.01m = 529.52 kPa

Water pressure at building connection (at average day) check:

Max. HGL @ Building 1 – Finished floor elevation = 143.0m – 89.77 = 53.23m = 521.87 kPa

Water pressure at building connection (at max. hour demand) check:

Min. HGL @ Building 1 – Finished floor elevation = 143.0m-89.77m = 53.23m = 521.87 kPa

Water pressure at building connection (at max. day + fire demand):

(Max Day + Fire) HGL @ Connection 1 - Finished floor elevation = 141.1m-89.77m = 51.33m = 503.25 kPa

The minimum water pressure inside the building at the connection is determined with the minimum HGL condition, resulting in a pressure of 521.87 kPa which exceed the minimum requirement of 276 kPa per the guidelines.

Building 2 at Bareille-Snow Street:

Water pressure at municipal connection check:

Min. HGL @ Building 2 – Pavement elevation = 143.0m – 89.50m = 53.05m = 520.11 kPa

Water pressure at building connection (at average day) check:

Max. HGL @ Building 2 – Finished floor elevation = 143.0m – 89.47 = 53.53m = 524.82 kPa

Water pressure at building connection (at max. hour demand) check:

Min. HGL @ Building 2 – Finished floor elevation = 143.0m-89.47m = 53.53m = 524.82 kPa

Water pressure at building connection (at max. day + fire demand):

(Max Day + Fire) HGL @ Connection 2 - Finished floor elevation = 142.1m-89.47m = 52.63m = 515.99 kPa

The minimum water pressure inside the building at the connection is determined with the minimum HGL condition, resulting in a pressure of 524.82 kPa which exceed the minimum requirement of 276 kPa per the guidelines.

Building 3 at Codd's Road:

Water pressure at municipal connection check:

Min. HGL @ Building 3 – Pavement elevation = 143.0m – 90.19m = 52.81m = 517.76 kPa

Water pressure at building connection (at average day) check:

Max. HGL @ Building 3 – Finished floor elevation = 143.0m – 90.85 = 52.15m = 511.29 kPa

Water pressure at building connection (at max. hour demand) check:

Min. HGL @ Building 3 – Finished floor elevation = 143.0m-90.85m = 52.15m = 511.29 kPa

Water pressure at building connection (at max. day + fire demand):

(Max Day + Fire) HGL @ Connection 3 - Finished floor elevation = 142.80m-90.85m = 51.95m = 509.33 kPa

The minimum water pressure inside the building at the connection is determined with the minimum HGL condition, resulting in a pressure of 511.29 kPa which exceed the minimum requirement of 276 kPa per the guidelines.

2.4 CONFIRMATION OF ADEQUATE FIRE FLOW PROTECTION

The fire flow rate has been calculated using the Fire Underwriters Survey (FUS) method. The method takes into account the type of building construction, the building occupancy, the use of sprinklers and the exposures to adjacent structures. Assuming fire resistive construction and a fully supervised sprinkler system, a fire flow demand of 7000 l/min (117 l/s) for Building 1, 4000 l/min (67 l/s) for Building 2 and Building 3 have been calculated. A copy of the calculation is included in Appendix B.

For Building 1, the demand of 7,000 l/min can be delivered through two existing municipal fire hydrants. One existing municipal fire hydrant is located at the intersection of Bareille-Snow Street and Hemlock Road is within 45 m of the building FDC, and is rated at 5,700 l/min. The other existing municipal fire hydrant is located at Bareille-Snow Street, slightly north of the site, is within 95m of the FDC and is rated at 3,800 l/min. The two hydrants have a combined total of 9,500 l/min.

For Building 2 the demand of 4,000 l/min can be delivered through two existing municipal fire hydrants. One existing municipal fire hydrant is located at Hemlock Road which is within 45 m of the building FDC, and is rated at 5,700 l/min. The other existing municipal fire hydrant is located at the intersection of Bareille-Snow Street and Hemlock Road, is within 85m of the FDC and is rated at 3,800 l/min. The two hydrants have a combined total of 9,500 l/min.

For Building 3 the demand of 4,000 l/min can be delivered through two existing municipal fire hydrants. One existing municipal fire hydrant is located at Codd's Road which is within 45 m of the building FDC, and is rated at 5,700 l/min. The other existing municipal fire hydrant is located at the intersection of Codd's Road and Tawadina Road, is within 80m of the FDC and is rated at 3,800 l/min. The two hydrants have a combined total of 9,500 l/min.

The proposed buildings will be serviced by dual 203 mm services off the existing municipal watermain. The services will run into the water entry room. The proposed buildings will be fully sprinklered and fire protection will be provided with the fire department Siamese connection within 45 m of the existing public fire hydrant from municipal Street.

The boundary condition for Maximum Day and Fire Flow results in a pressure of 503.25 kPa, 515.99 kPa and 509.33 kPa at the ground floor level for Building 1, 2 and 3 respectively. In the guidelines, a minimum residual pressure of 140 kPa must be maintained in the distribution system for a fire flow and maximum day event. As a pressure of approximate 500 kPa is achieved, the fire flow requirement is exceeded.

2.5 CHECK OF HIGH PRESSURE

High pressure is not a concern. The maximum water pressure inside the building at the connection is determined with the maximum HGL condition, resulting in a pressure of 521.87 kPa, 524.82 kPa and 511.29 kPa for Building 1, 2 and 3 which are less than the 552 kPa threshold in the guideline in which pressure control is required. Based on this result, pressure control is not required for all the proposed building.

2.6 RELIABILITY REQUIREMENTS

DMA chamber as per city of Ottawa standard W3 and shot off valve will be provided at the study boundary for all Building 1, 2 and 3 from Bareille-Snow Street and Codd's Road. For both building 1 and 2, water can be supplied to the private watermain from both side of Bareille-Snow Street, north and south, and can be isolated. For building 3, water can be supplied to the private watermain from both side of Codd's Road.

2.7 DESCRIPTION OF PROPOSED WATER DISTRIBUTION NETWORK

A 203 mm private watermain looping is proposed to be provided into the proposed building. The two 203 mm private water services will be merge inside the building before connecting to the water meter. No private hydrant is required for all three sites.

3 WASTEWATER DISPOSAL

3.1 DESIGN CRITERIA

In accordance with the City of Ottawa's Sewer Design Guidelines, the following design criteria have been utilized in order to predict wastewater flows generated by the subject site and complete the sewer design;

• Minimum Velocity	0.6 m/s
• Maximum Velocity	3.0 m/s
• Manning Roughness Coefficient	0.013
• Average sanitary flow for residential use	280 L/cap/day
• Average sanitary flow for commercial use	28,000 L/Ha/day
• Commercial/Institutional Peaking Factor	1.5
• Infiltration Allowance (Total)	0.33 L/s/Ha
• Minimum Sewer Slopes – 200 mm diameter	0.32%

3.2 CONSISTENCY WITH MASTER SERVICING STUDY

For Building 1 and 2, the outlet for the private sanitary sewer network is the 250 mm diameter municipal sewer on Bareille-Snow Street.

For Building 3, the outlet for the private sanitary sewer network is the 250 mm diameter municipal sewer on Codd's Road. The Ottawa Sewer Design Guidelines provide estimates of sewage flows based on residential development. A sanitary design sheet has been attached to Appendix C for reference.

3.3 DESCRIPTION OF EXISTING SANITARY SEWER

The outlet sanitary sewer for Building 1 and 2 is the existing 250 mm diameter sewer on Bareille-Snow Street. The outlet sanitary sewer for Building 3 is the existing 250 mm diameter sewer on Codd's Road. Both of these local sewers will outlet to 375mm diameter sewer on Codd's Road south of Hemlock Road. The 375mm trunk sewer will outlet to Codd's Road Shaft 2400mm diameter sewer, then discharge to municipal wastewater treatment facility.

3.4 VERIFICATION OF AVAILABLE CAPACITY IN DOWNSTREAM SEWER

For Building 1 and 2, the capacity of the downstream 250 mm diameter sewer on Bareille-Snow Street at 2.05% slope is 85.14 l/s, which is adequate for the flow assumptions from the proposed building 1 and 2, 4.50 l/s and 2.8 l/s, plus the external areas assumed by IBI Group. This existing sewer at Bareille-Snow Street also services approximately 8.825 ha of the future development on the north side of Building 1 and 2. Based on the assumption from Wateridge Subdivision Phase 2B, those future area generates a proportional flow of 22.56 l/s, then the combined existing and anticipated flow estimate is 28.45 l/s.

For Building 3, the capacity of the downstream 200 mm diameter sewer on Codd's Road at 1.00% slope is 32.80 L/s, which is adequate for the flow assumptions from the proposed Building 3, 2.67 l/s. This existing sewer also services approximately 0.60 ha of the future area on the west side of Codd's Road. This existing area generates a proportional flow of 0.20 l/s, then the combined existing and anticipated flow estimate is 2.87 l/s.

3.5 CALCULATIONS FOR NEW SANITARY SEWER

A sanitary sewer design sheet is provided for all three buildings. See Appendix C for details.

3.6 DESCRIPTION OF PROPOSED SEWER NETWORK

The proposed sanitary sewer network on site for all three buildings will consist of a 200 mm diameter building service, and one new 1200 mm diameter manhole for each building.

4 SITE STORM SERVICING

4.1 EXISTING CONDITION

The subjected property is located within the Wateridge Subdivision Development area east of Codd's Road, north of Hemlock Street and South of Tawadina Street. Runoff from the subjected lands is ultimately directed to the existing SWM pond next to Sir-George-Etienne-Cartier Parkway. The existing SWM pond ultimately outlets to the Ottawa River. The available drainage outlet for Building 1 and 2 is the 525 mm diameter concrete storm sewer on Bareille-Snow Street. The available drainage outlet for Building 3 is the 750 mm diameter concrete storm sewer on Codd's Road. Runoff from these sewers will eventually be conveyed to the existing SWM pond via the 3000 mm diameter concrete trunk sewer along Hemlock Road, east of Codd's Road and Hemlock Road intersection.

Based on the IBI Phase 1B and 2B Design Briefs, drainage released from the site to the City storm sewer are show as follow.

Table 4-1: IBI Storm Water Modelling Results from Phase 2B and updated Evaluation 2022

Block	Phase 2B Design Brief				Current Evaluation					
	Drainage Area ID	Minor System Capture		Required On-Site Storage (cu-m)	Parcel	Drainage Area ID	Minor System Capture		Major System	
		Simulated Flow (l/s)	Corresponding Design Storm				Simulated Flow (l/s)	Corresponding Design Storm	Required On-Site Storage (cu-m)	Comment
11	B309	370	Between 5 and 100	None	1	B309_1	195	Between 5 and 100 year	43	Control up to the 100 year event
					2	B309_2	105	5 year	64	Control up to the 100 year event
12	B340	366	Between 5 and 100	None	3	B340_3	95	Between 5 and 100 year	18	Control up to the 100 year event
					4	B340_4	150	Between 5 and 100 year	21	Control up to the 100 year event
					5	B340_5	139	100 year	None	N/A

Since Phase 2B Design Brief is the latest design report, the allowable release rate for each site will be calculated based on the assumption IBI has made on the Phase 2B Design Brief and the updated Evaluation. The total study area for all three sites were considered to be 0.519 Ha, 0.374 Ha and 0.374 Ha in size. Thus, the allowable release rate for each site will be 105 l/s, 150 l/s and 139 l/s for Building 1, 2 and 3 respectively.

4.2 ANALYSIS OF AVAILABLE CAPACITY IN PUBLIC INFRASTRUCTURE

Using the Rational Method, with coefficient of 0.25 for pervious areas, 0.75 for gravel areas, 0.90 for impervious areas, 1.0 for roof areas, and a 10-minute time of concentration, results in an estimated 2-year flow of 81.43 l/s from Building 1, 61.13 l/s from Building 2, and 55.09 l/s from Building 3. The receiving 525 mm diameter storm sewer on Bareille-Snow Street has been designed with the capacity to accept 358.26 l/s from Building 1 and 2, and other future areas. And the receiving 750 mm diameter storm sewer on Codd's Road has also been designed with the capacity to accept 246.92 l/s from Building 3 and other future areas. Capacity in the minor system is not a concern. Refer to storm sewer design on Appendix D for details.

4.3 DRAINAGE DRAWING

Drawing C103, C204 and C205 shows the receiving storm sewer and site storm sewer network for Building 1, 2 and 3. Drawing C102, C202 and C03 provide proposed grading and drainage, and includes existing grading information. Site sub-area information and storm sewer design sheet attached in Appendix D.

4.4 WATER QUANTITY CONTROL OBJECTIVE

Refer to the Stormwater Management Report for the water quantity objective for the site.

4.5 WATER QUALITY CONTROL OBJECTIVE

RVCA has no objection to the development. As the proposed modification in use of the site will result in less runoff leaving the sites, drainage from the proposed sites will be attenuated to the underground chamber for infiltration as per the LID requirements, a conceptual net improvement in stormwater water quality is anticipated.

4.6 DESIGN CRITERIA

The stormwater system was designed following the principles of dual drainage, making accommodation for both major and minor flow.

Some of the key criteria include the following:

- Design Storm (minor system) 1:2 year return (Ottawa)
 - Rational Method Sewer Sizing
 - Initial Time of Concentration 10 minutes
 - Runoff Coefficients
 - Landscaped Areas C = 0.25
 - Asphalt/Concrete C = 0.90
 - Traditional Roof C = 0.90
 - Pipe Velocities 0.80 m/s to 6.0 m/s
 - Minimum Pipe Size 250 mm diameter
(200 mm CB Leads and service pipes)
-

4.7 PROPOSED MINOR SYSTEM

The detailed design for this site will maintain the existing storm sewer network to Codd's Road and Hemlock Road intersection of the development site. The drainage system consists of a series of manholes, catchbasins and storm sewers leading to the underground chambers for each site. All drainage areas on the site are collected in the site piped drainage system.

It is also customary for larger buildings to be provided with piped storm services for roof drainage. There are no downspouts proposed. Separate outlet pipes are provided for foundation drains, and therefore roof drainage will not negatively impact the foundation. The foundation drains are connected to the storm sewer downstream of inlet control which is downstream of the controlled flow point, ensuring an unobstructed flow for these areas.

Using the above noted criteria, the existing on-site storm sewers were sized accordingly. A detailed storm sewer design sheet and the associated post development storm sewer drainage area plan are included in Appendix C.

4.8 WATERCOURSES

The minor flow will be directed to existing SWM pond and ultimately directed to the Ottawa River.

4.9 IMPACTS TO RECEIVING WATERCOURSES

No significant negative impact is anticipated to downstream receiving watercourses due to proposed quantity and quality control measures, the separation of the site from the eventual receiving watercourse as a result of discharge through City owned sewers, and the existing stormwater management pond on the south side of Sir-George-Etienne Cartier Parkway.

5 SEDIMENT AND EROSION CONTROL

5.1 GENERAL

During construction, existing storm sewer system can be exposed to sediment loadings. A number of construction techniques designed to reduce unnecessary construction sediment loadings will be used including;

- Filter cloths will remain on open surface structures such as manholes and catchbasins until these structures are commissioned and put into use;
- Installation of silt fence, where applicable, around the perimeter of the proposed work area.

During construction of the services, any trench dewatering using pumps will be fitted with a “filter sock.” Thus, any pumped groundwater will be filtered prior to release to the existing surface runoff. The contractor will inspect and maintain the filter sock as needed including sediment removal and disposal.

All catchbasins, and to a lesser degree, manholes, convey surface water to sewers. Consequently, until the surrounding surface has been completed, these structures will be covered to prevent sediment from entering the minor storm sewer system. These measures will stay in place and be maintained during construction and build-out until it is appropriate to remove them.

During construction of any development both imported and native soils are placed in stockpiles. Mitigative measures and proper management to prevent these materials entering the sewer system are needed.

During construction of the deeper water mains and sewers, imported granular bedding materials are temporarily stockpiled on site. These materials are however quickly used up and generally placed before any catchbasins are installed.

Refer to the Erosion and Sedimentation Control Plan C09, C10 and C11 provided in Appendix E.

6 APPROVAL AND PERMIT REQUIREMENTS

6.1 GENERAL

The proposed development is subject to site plan approval and building permit approval.

No approvals related to municipal drains are required.

No permits or approvals are anticipated to be required from the Ontario Ministry of Transportation, National Capital Commission, Parks Canada, Public Works and Government Services Canada, or any other provincial or federal regulatory agency.

7 CONCLUSION CHECKLIST

7.1 CONCLUSIONS AND RECOMMENDATIONS

It is concluded that the proposed development can meet all provided servicing constraints and associated requirements. It is recommended that this report be submitted to the City of Ottawa in support of the application for site plan approval.

7.2 COMMENTS RECEIVED FROM REVIEW AGENCIES

This is the 5th submission. Responses to previous city comments have been addressed.

APPENDIX

A

- PRE-CONSULTATION MEETING NOTES
- TOPOGRAPHIC SURVEY PLAN
- IBI CONFIRMATION EMAIL
- IBI DESIGN BRIEF AND UPDATED MEMO REPORT (ATTACHED SEPERATELY)

1000/1050 Tawadina Road, Ottawa
Meeting Date: Thursday, February 3, 2022
PC2022-0013
MS Teams

Attendees:

City of Ottawa:

Allison Hamlin, File Lead, Senior Planner
Wally Dubyk, Transportation
Christopher Moise, Urban Designer
Parthvi Patel, Student Planner

Applicant Team:

Rod Price
Alnoor Gulamani
Sameer Gulamani

Wateridge Community Association:

Jane Thompson
Darren Kipp

Subject: Proposal for a four-building, 9-storey development at 1000/1050 Tawadina Road

Proposal Details:

- Development of 4 nine storey apartment buildings, with a total of 480 units with ground floor commercial
- One level of underground parking should accommodate each building. Street level visitor parking will be tucked behind and away from street views.

Technical Comments – City Staff

Urban Design Comments – Christopher Moise

- All mixed-use blocks are subject to review by the Urban Design Review Panel. If the mixed-use components stand apart from the proposed blocks, they will be subject to internal review, if they fit within the blocks, this project will have to attend the UDRP.
- There is some very strong design direction in the CDP on pages 101 and 102, which speak to several issues that have not been addressed yet (such as articulation and active frontages). It is encouraged to look at this document closely to help in the design development phase.
- How is this project aligned with the master plan, the master plan had a different vision for how the ground plane is being treated? The landscaping thoughts around the outside of these blocks is appreciated, but the inside of these blocks seem to be largely vehicle oriented. The percentage of vehicular infrastructure may need to be thought through to be more efficient with less runs and dead ends in roads.

Pre-Application Consultation Meeting Notes: 1000/1050 Tawadina Road

- Consider the treatment of landscaping between the commercial and street and how the building transitions down to the park – more of an urbanized landscape.
- The building has a very long frontage, consider looking into its articulation how to make that space more interactive with the environment and community.
- The massing model shows a commercial sized floor at-grade, any private units at grade will be problematic, the ground floor should be a combination of commercial and amenity space for tenants.

Planning Comments – Allison Hamlin

- There needs to be a greater consideration of how the surface areas can be less car-oriented
- There is some commercial proposed, but not every unit along the ground floor is commercial. In the future, it is likely that more people and tenants are to come to the area. Consider examining a commercial frontage along Hemlock.
- There are active frontage requirements, ensure that all units have a main door, not just an entrance from the hallway.

Transportation Comments – Wally Dubyk

- Submit a screening form to determine if a transportation impact assessment report will be required.
- The laneways should be at least 6 meters wide to accommodate a fire truck.
- Show where bicycle parking spaces will be located.

Community Comments – Jane Thompson, Darren Kipp

- The secondary plan mentions building frontages. Hemlock is the main street, which is the building frontage. This same frontage wraps around the two parks and is envisioned as a space that has cafes and commercial. This is the core of the community, and it is critical that both sides of the square have commercial uses as residential uses will be uncomfortable and won't reflect the intention of the space.
- The space should be designed so that it is convertible to commercial in the future.
- Groceries, pharmacies, restaurants, stores, and basic community services are some commercial uses that the community is looking for.
- A large community concern is that there is a lack of street parking as current parking is overtaken by demand. Residents on site will have trouble looking for parking outside of the site if it is not provided.

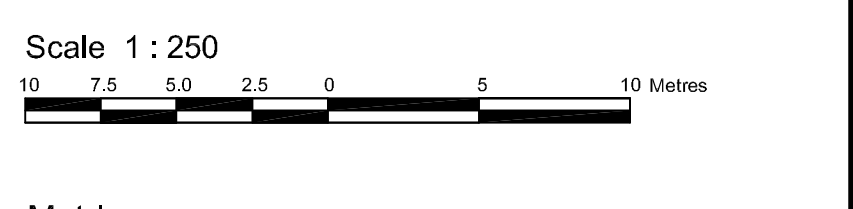
THIS PLAN TO BE DEPOSITED UNDER THE LAND TITLES ACT.
DATE: _____
ANDREW J. BROGEMAN
ONTARIO LAND SURVEYOR
REPRESENTATIVE FOR THE LAND REGISTRAR FOR THE LAND TITLES DIVISION OF OTTAWA-CARLETON No. 4.

AREA (sq.m.) below	AREA (Sq.m.) above	PART	BLOCK	CONCESSION/PLAN	PIN
2.25	0.91	2			
16.73	1.00	4			
1.00	1.00	4			
2.25	2.28	5			
0.91	1.00	7			
1.20	1.20	8			
2.28	2.28	10			
3.59	3.59	11			
3.39	3.39	12			
10.90	10.90	13			
10.90	10.90	15			
334.12	334.12	16			
4.50	4.50	17			
3.39	3.39	18			
12.06	12.06	19			
2.12	2.12	20			
3.00	3.00	21			
3296.9	3296.9	22			
1133.3	1133.3	24			
462.9	462.9	26			
2120.8	2120.8	27			
1133.3	1133.3	28			
462.9	462.9	30			
2120.8	2120.8	31			
18.40	18.40	32			
12.00	12.00	34			
4.50	4.50	34			
3736.1	3736.1	35			
462.9	462.9	36			
12.00	12.00	37			
4.50	4.50	39			
3296.9	3296.9	40			
462.9	462.9	41			
2808.9	2808.9	42			
4.50	4.50	43			
3.00	3.00	44			
5162.2	5162.2	45			
4.50	4.50	47			
3.00	3.00	48			
1162.2	1162.2	49			
24.44	24.44	50			

Parts 8 to 10 (both inclusive), 14, 15, 16, 21 to 24 (both inclusive), 28 to 32 (both inclusive), 35 to 42 (both inclusive), 47 to 50 (both inclusive) Subject to easement inst. OC177132.
Parts 11 to 50 (both inclusive): Subject to easement inst. OC2201021.
Parts 28, 32, 46, 50: Subject to easement inst. OC290008.
Parts 20, 24, 26, 30, 36, 41: Subject to easement inst. OC1755037.

STRATA PLAN OF SURVEY OF

BLOCKS 11, 12, 13
REGISTERED PLAN 4M-1651
CITY OF OTTAWA
Surveyed by Annis, O'Sullivan, Vollebek Ltd.



Metric DISTANCES AND COORDINATES SHOWN ON THIS PLAN ARE IN METRES AND CAN BE CONVERTED TO FEET BY DIVIDING BY 0.3048.

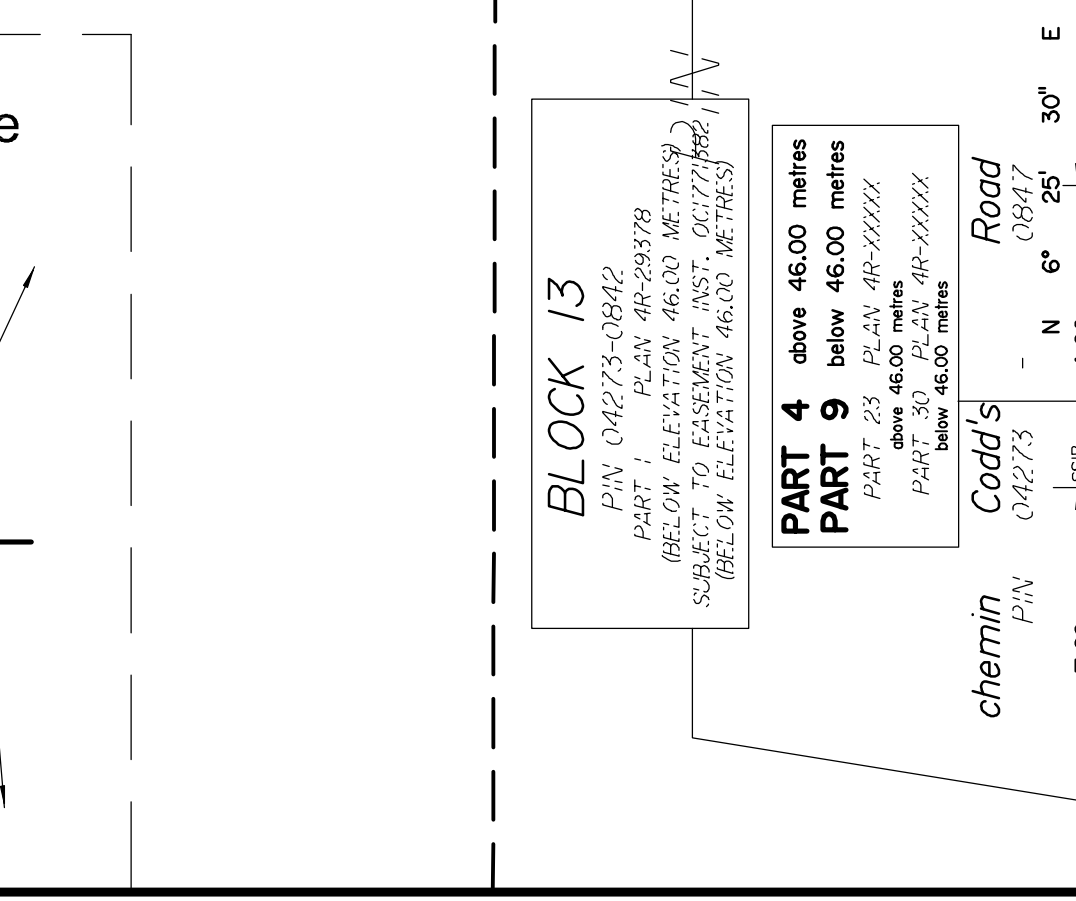
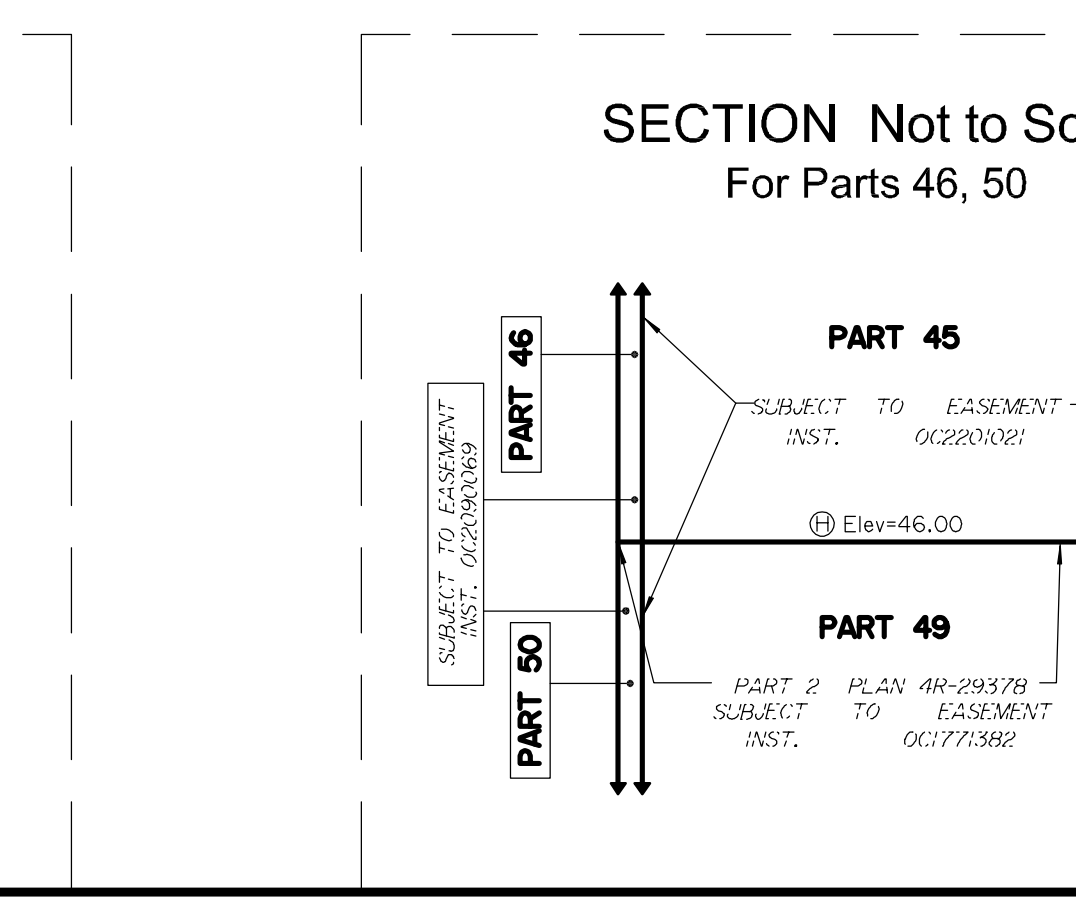
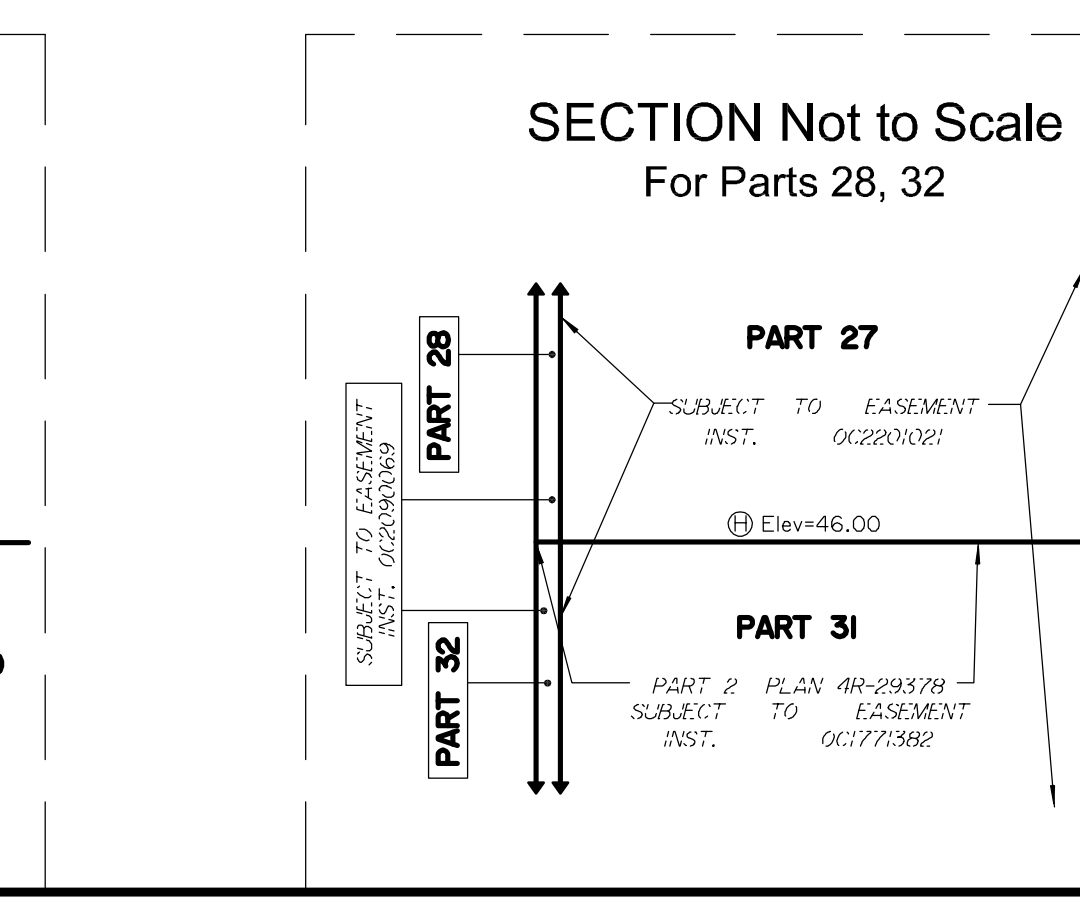
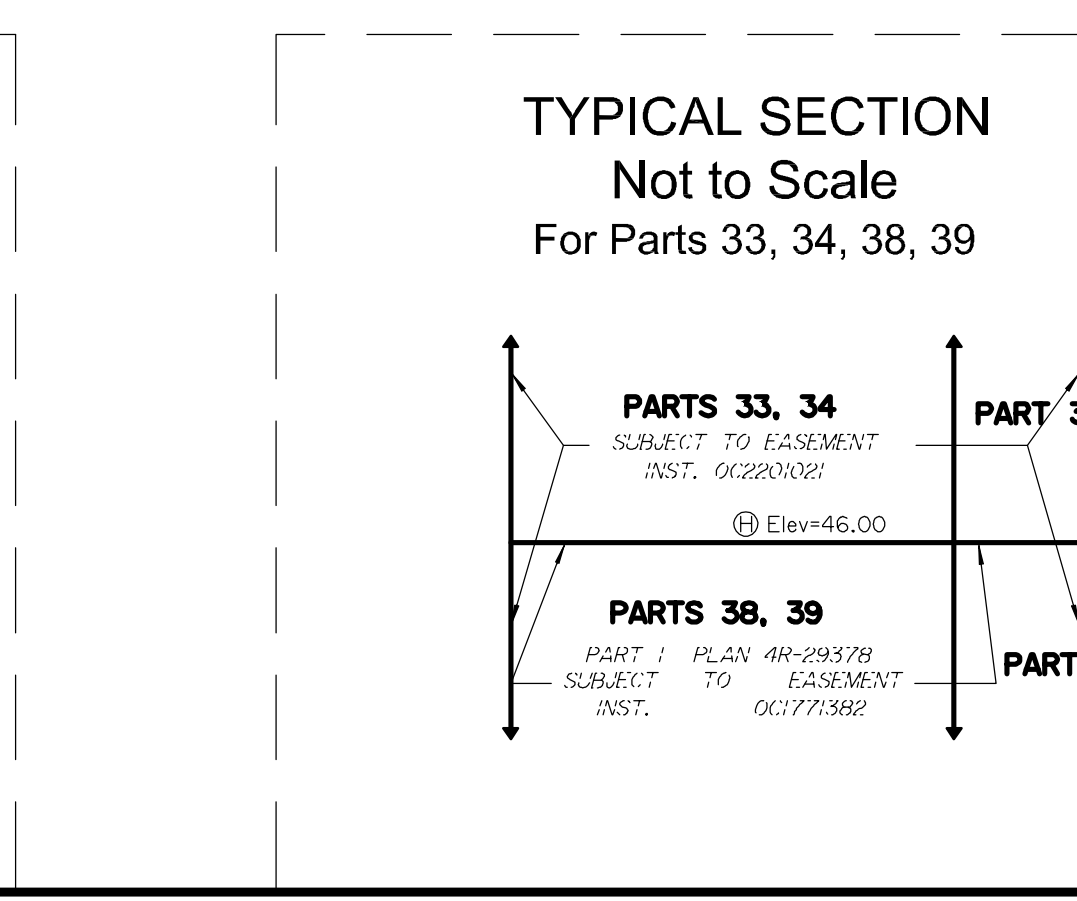
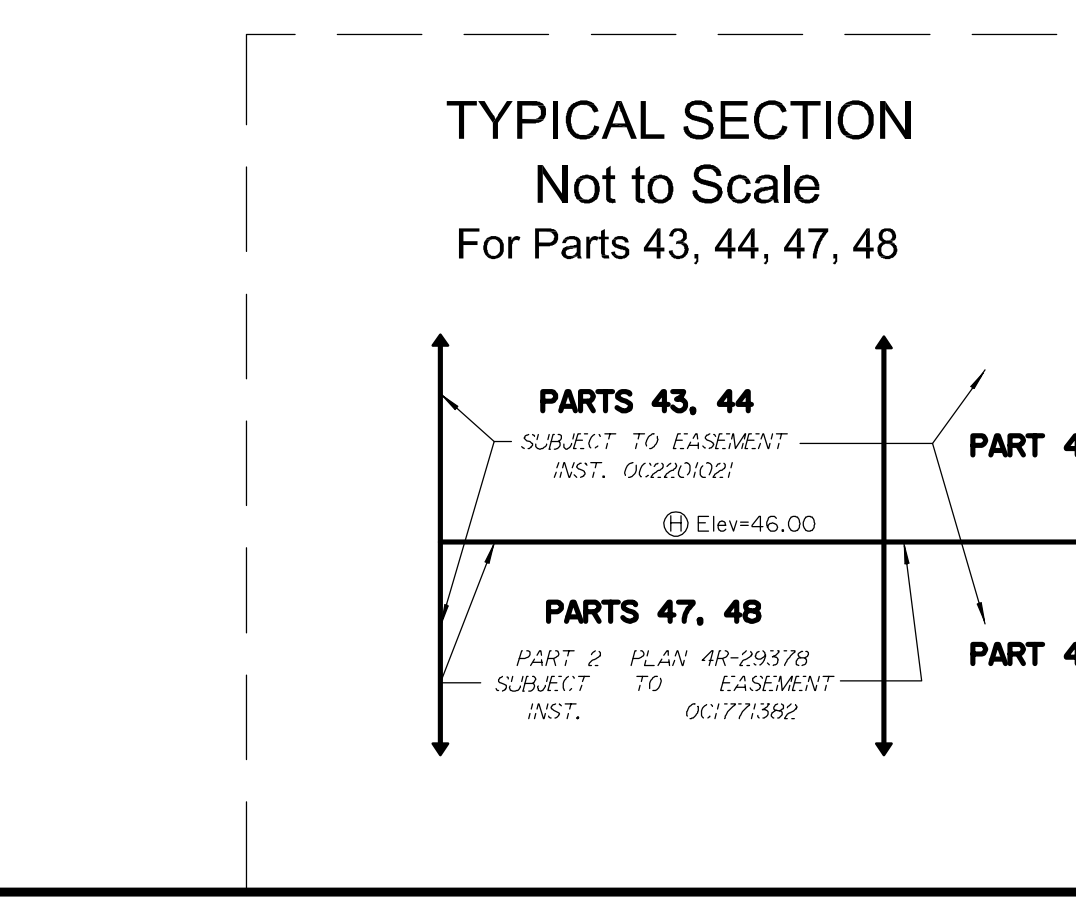
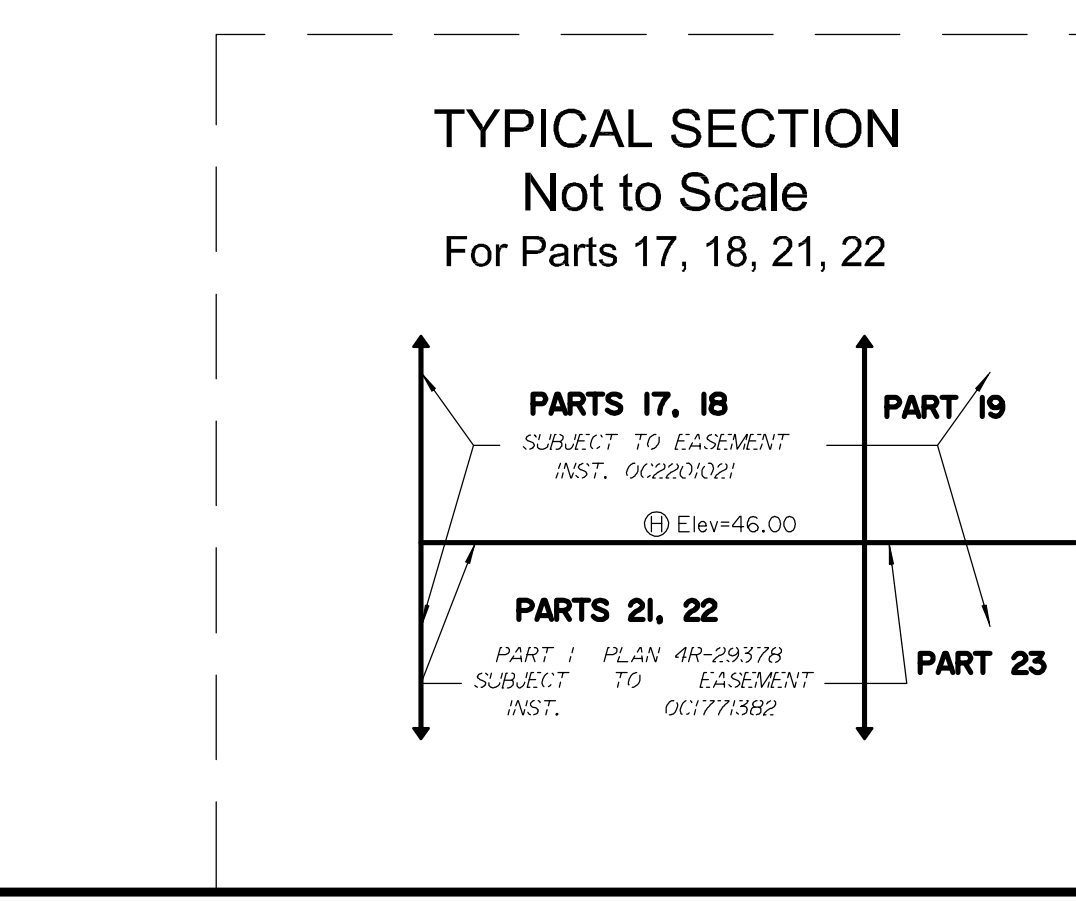
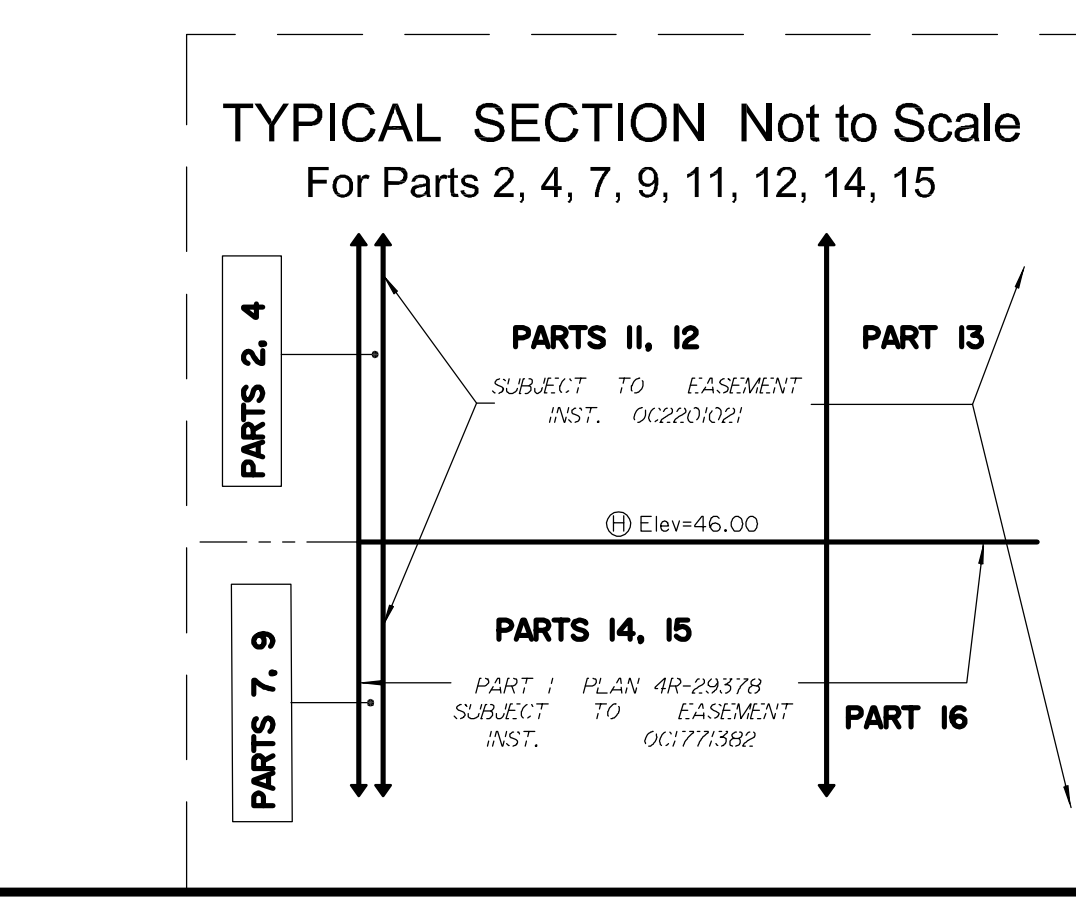
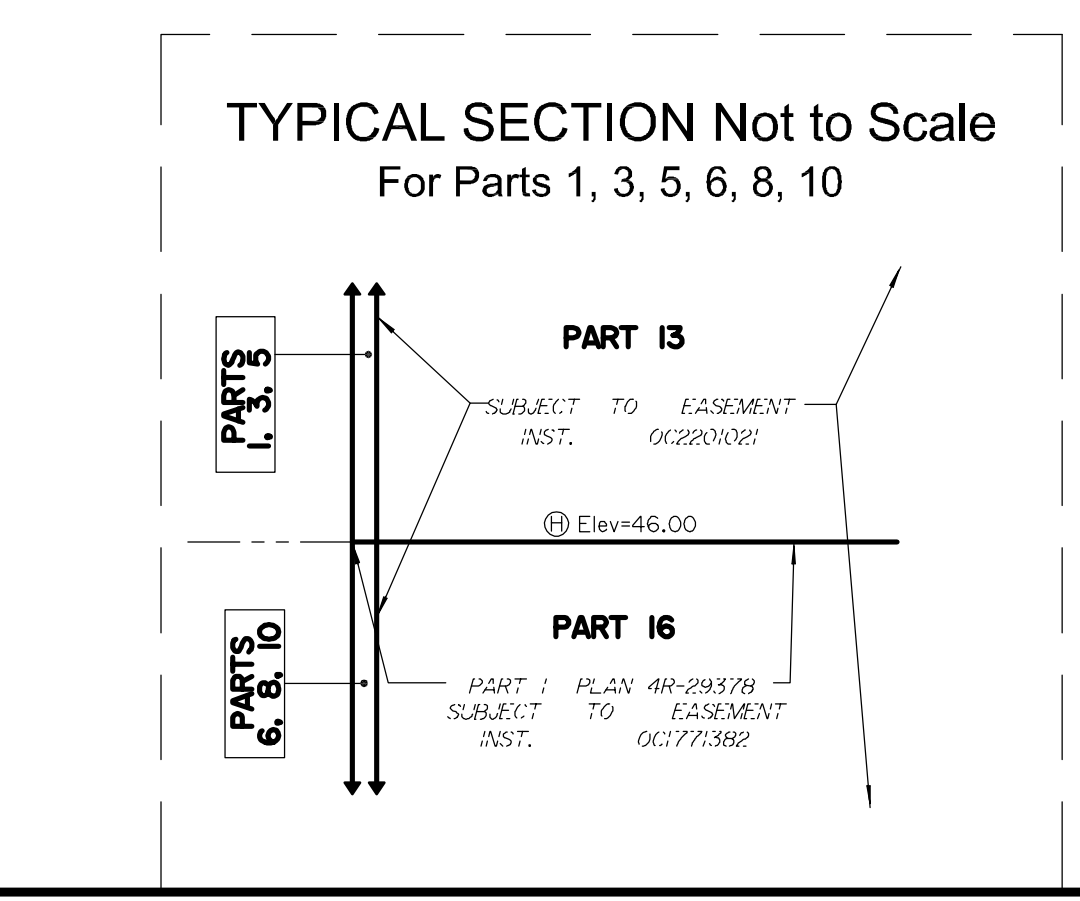
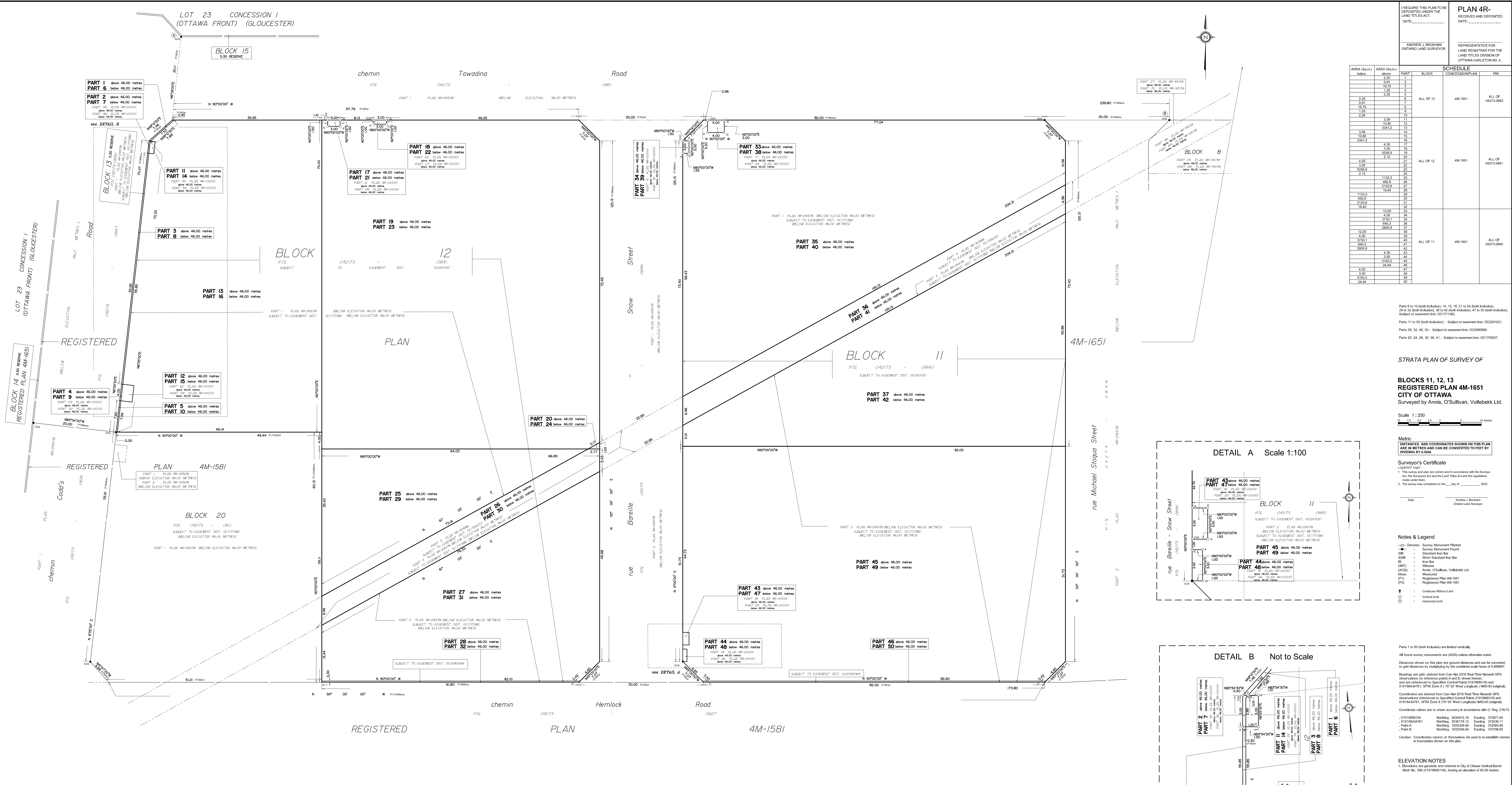
Surveyor's Certificate
I certify that:
1. This survey and plan are correct and in accordance with the Survey Act, the Surveyors Act and the Land Titles Act and the regulations made under them.
2. The survey was completed on the _____ day of _____ 2022.
Date: _____
Annis J. Brogeman
Ontario Land Surveyor

- Notes & Legend
- Survey Monument Placed
 - Survey Monument Found
 - Standard Iron Bar
 - SSB Short Standard Iron Bar
 - Iron Bar
 - (WT) Witness
 - (ADG) Annis, O'Sullivan, Vollebek Ltd.
 - (M) Measurement
 - (PI) Registered Plan 4M-1651
 - (RP) Registered Plan 4M-1581
 - ↑ Continuous Without Limit
 - ↑ Vertical Limit
 - Horizontal Limit

Parts 1 to 50 (both inclusive) are bricked vertically.
All found survey monuments are (AO) unless otherwise noted.
Distances shown on this plan are ground distances and can be converted to true distances by multiplying by the combined scale factor of 0.999947.

Bearings are grid, derived from Can-NAD 2011 Real Time Network GPS observations on reference points A and B, shown here, and are referenced to Specified Control Points 0191963105 and 0191963476, MTM Zone 9 (17°30' West Longitude) NAD83 (original).
Coordinates are derived from Can-NAD 2011 Real Time Network GPS observations referenced to Specified Control Points 0191963105 and 0191963476, MTM Zone 9 (17°30' West Longitude) NAD83 (original).
Coordinate values are to urban accuracy in accordance with O. Reg. 210/10.
0191963105 Northing 503691.16 Easting 372791.65
0191963476 Northing 503617.12 Easting 372436.11
Neighboring 503534.16 Easting 372608.88
Point B Northing 503334.64 Easting 372796.63
Caution: Coordinates cannot, in themselves, be used to establish corners or boundaries shown on this plan.

ELEVATION NOTES
1. Elevations are provided and referred to City of Ottawa Vertical Bench Mark No. 368 (0191963105), having an elevation of 55.06 metres.



Yang, Winston

From: Jim Moffatt <jmoffatt@IBIGroup.com>
Sent: December 13, 2022 12:34 PM
To: Rod Price; Mary Jarvis
Cc: Yang, Winston; Anton Chetrar
Subject: RE: Bayview Tawadina Development
Attachments: Wateridge MSS page 98.pdf; CTM_BLOCK11_12_2022-04-26.pdf; 2022-12-12_221-00473-00_C-SK2.pdf

Follow Up Flag: Follow up
Flag Status: Flagged

Hey Rod, IBI has had a chance to review the City comment respecting sanitary flows from your proposed development at 1000-1050 Tawadina Street. For this area of Wateridge Village, IBI prepared the attached Technical Memorandum (TM) earlier this year which recommends how the various parcels in Blocks 11 and 12 can be serviced with water, sanitary and stormwater management. The development proposal is in line with the recommendations from the TM, including the proposed sanitary outlets. (Refer to pages 9 and 10 and Figure 4 from the TM). With respect to the actual comment about different numbers of dwelling units and related populations between the TM and the proposed development, IBI notes that the total population for the development proposal tributary to Bareille Snow Street is actually less than noted in the TM (625 proposed vs the 633.6 from the TM). Consequently there is less flow being proposed by your development than indicated in the TM so there is no issue with respect to the sanitary design since it is in line with the TM, which is the latest document addressing design criteria in this area of the subdivision. With respect to the City comment suggesting that the MSS study be updated to reflect these changes, we refer you to the attached page 98 of the MSS document which discusses candidates that would trigger an update. In this case, the proposed changes are minor and quite insignificant since no changes to the surrounding infrastructure are required. In our opinion, the proposed changes are minor and no update is warranted. The MSS document is a high level guiding document that demonstrates how the property can be serviced. The MSS plans indicate only one way to complete the overall development and cannot anticipate minor changes as the subdivision develops over time. We trust this response is satisfactory. If you require anything else from CLC/IBI, just let us know. Cheers.

From: Rod Price <rod@demarcoconstruction.ca>
Sent: Wednesday, December 7, 2022 2:04 PM
To: Mary Jarvis <mjarvis@clc.ca>
Cc: Jim Moffatt <jmoffatt@IBIGroup.com>; Yang, Winston <Winston.Yang@wsp.com>
Subject: Bayview Tawadina Development

***** Exercise caution. This is an EXTERNAL email. DO NOT open attachments or click links from unknown senders or unexpected email. *****

Hi Jim and Mary,

I hope all is well. We have submitted our Site Plan Applications for the three blocks that Bayview purchased from CLC on Tawadina (11 and 12) and we have received the City's first round of comments. As WSP has been working through their responses and based on the latest info. provided by CLC/IBI we have an issue with numbers anticipated for each building.

IBI has revisited both the storm and sanitary drainage outlets for each subdivided parcel within Block 11 and 12 to align with the current development. However, the estimated population numbers used in the MSS are different than what we had been proposing (see below summary provided by Winston Yang at WSP).

IBI Report	Building 1	Building 2	Building 3
Units (APT @ 1.8 p/p/u)	192	160	212
Population	345.6	288.0	381.6

And below is our estimates

WSP report	Building 1	Building 2	Building 3
Units (APT @ 1.8 p/p/u)	216	131	135
Population	389	236	243

For Building 2 and 3, our number is below the IBI MSS document, which is good, it is within the acceptable limit. But for Building 1, our number exceeds the limit outlined in the new IBI document. The City is going to want us to follow the MSS estimated number of have IBI update the MSS for sanitary and water to support WSP's estimation. Looking for your input on how best to achieve a smooth resubmission package to the City.

Happy to discuss at your earliest convenience.

Thanks,

Rod

Rod Price,
Vice President/General Manager



195 Menten Place, Unit 103

Ottawa, ON.

K2H 9C1

Tel: 613-829-2777 Fax: 613-829-0778 C: 613-323-2146

Email: rod@demarcoconstruction.ca

10 Implementation and Phasing

This MSS develops a servicing strategy for the preferred concept plan developed in the CDP. The servicing strategy has built flexibility into the design of the municipal services to allow for changes in land use to be accommodated as build out occurs in several phases over several years. The configuration of the trunk watermains, trunk sanitary sewers and trunk storm sewers has also been arranged to build flexibility into the potential phasing options to accommodate changing market demands for building product type and quantity required to build out. A preliminary phasing plan is presented in **Figure 1.6**. In recognition of the probability that the preferred concept plan may not be entirely built out as currently planned due to unforeseen circumstances, the following process is set out to deal with changes which occur after approval of the Environmental Assessment, but prior to construction.

The change process distinguishes between minor and major changes. A major design change would require completion of an amendment to this EA, while a minor change would not. For either kind of change, it is the responsibility of the proponent to ensure that all possible concerns of the public and affected agencies are addressed.

10.1 Minor Changes

Minor design changes may be defined as those which do not appreciably change the expected net impacts associated with the project. For example, a design change in a utility location within a road right-of-way or the size of a pipe would be considered minor. Changes in utility alignment between road allowances, which do not affect other landowners, would also be considered as minor. All appropriate stakeholders will be provided details of the modification. The majority of such changes could likely be dealt with during the detailed design phase and would remain the responsibility of the proponent to ensure that all relevant issues are taken into account.

10.2 Major Changes

Major changes may be defined as those which change the intent of the EA or appreciably change the expected net impacts associated with the project. An example of a major change would result from a proposed shift in a preferred design alignment or configuration which would warrant changes in mitigation as described in the EA and affect other landowners. If the proposed modification is major, the recommendations and conclusions in this report would require updating. An addendum to the EA would be required to document the change, identify the associated impacts and mitigation measures and allow related concerns to be addressed and reviewed by the appropriate stakeholders.

The preferred servicing solution developed in this MSS presents a high level trunk servicing solution to illustrate the feasibility of servicing the concept plan and guide the final design process, but does not attempt to provide detailed design on a street by street basis. This more detailed level of design will be completed as part of the plan of subdivision or Site Plan Application process when site specific details such as individual lotting, building configurations, and final geotechnical information will be available. This more rigorous level of analysis will undoubtedly result in adjustments to the design presented in this MSS. These adjustments are to be expected as the design evolves in detail and can be dealt with as described above.

10.3 Phasing

Phasing of development of the CFB Rockcliffe site is determined by several key servicing factors which dictate the logical progression of development. Two principal services with limited initial phasing flexibility are the supply of water and vehicular access. In order to provide the necessary

APPENDIX

APPENDIX

B

- WATERMAIN BOUNDARY CONDITIONS FROM CITY OF OTTAWA
- EMAILS FROM CITY OF OTTAWA
- FIRE UNDERWRITERS SURVEY – FIRE FLOW CALCULATION
- WATER DEMAND CALCULATION
- MEMO FROM ARCHITECT

Yang, Winston

From: Wessel, Shawn <shawn.wessel@ottawa.ca>
Sent: June 28, 2022 10:54 AM
To: Yang, Winston
Subject: RE: 1000 and 1050 Tawadina Road - Boundary Condition requests
Attachments: 1000 and 1050 Tawadina Road June 2022.pdf

Good morning, Winston.

Please find requested information attached and below:

The following are boundary conditions, HGL, for hydraulic analysis for three buildings at 1000 – 1050 Tawadina Road (zone MONT), assumed to be connected to the 406 mm watermain on Codd's Road, and the 203 mm on Bareille-Snow Street (see attached PDF for location).

	Building 1 Bareille-Snow	Building 2 Bareille Snow	Building 3 Codd's
Min HGL (m)	143.0	143.0	143.0
Max HGL (m)	143.0	143.0	143.0
Max Day + FF (117 L/s)	141.1	N/A	N/A
Max Day + FF (67 L/s)	N/A	142.1	142.8

These are for current conditions and are based on computer model simulation.

Disclaimer: The boundary condition information is based on current operation of the city water distribution system. The computer model simulation is based on the best information available at the time. The operation of the water distribution system can change on a regular basis, resulting in a variation in boundary conditions. The physical properties of watermains deteriorate over time, as such must be assumed in the absence of actual field test data. The variation in physical watermain properties can therefore alter the results of the computer model simulation.

If you require additional information or clarification, please do not hesitate to contact me anytime.

Thank you

Regards,

Shawn Wessel, A.Sc.T.,rcji
Project Manager - Infrastructure Approvals
Gestionnaire de projet – Approbation des demandes d’infrastructures

Development Review Central Branch | Direction de l’examen des projets d’aménagement, Centrale
Planning, Real Estate and Economic Development Department | Direction générale de la planification des biens immobiliers et du
développement économique
City of Ottawa | Ville d'Ottawa
110 Laurier Ave. W. | 110, avenue Laurier Ouest, Ottawa ON K1P 1J1
(613) 580 2424 Ext. | Poste 33017
Int. Mail Code | Code de Courrier Interne 01-14
shawn.wessel@ottawa.ca

 Please consider the environment before printing this email

*****Please also note that, while my work hours may be affected by the current situation and am working from home, I still have access to email, video conferencing and telephone. Feel free to schedule video conferences and/or telephone calls, as necessary.*****

From: Yang, Winston <Winston.Yang@wsp.com>
Sent: June 23, 2022 1:22 PM
To: Wessel, Shawn <shawn.wessel@ottawa.ca>; Hamlin, Allison <Allison.Hamlin@ottawa.ca>
Subject: RE: 1000 and 1050 Tawadina Road - Boundary Condition requests

CAUTION: This email originated from an External Sender. Please do not click links or open attachments unless you recognize the source.

ATTENTION : Ce courriel provient d’un expéditeur externe. Ne cliquez sur aucun lien et n’ouvrez pas de pièce jointe, excepté si vous connaissez l’expéditeur.

Hi Shawn,

The required RFF have been revised as per the FUS 2020 method.

Bldg 1 – 117 L/s
Bldg 2 – 67 L/s
Bldg 3 – 67 L/s

See attached pdfs for detail calculations.

Yours truly,



Ding Bang (Winston) Yang, P.Eng.
Project Engineer
Municipal Engineering - Ottawa

T+ 1 613-690-0538
M+ 1 647-628-8108

WSP Canada Inc.
2611 Queensview Drive, Suite 300
Ottawa, Ontario,
K2B 8K2 Canada

wsp.com

From: Wessel, Shawn <shawn.wessel@ottawa.ca>
Sent: June 22, 2022 8:08 PM
To: Yang, Winston <Winston.Yang@wsp.com>; Hamlin, Allison <Allison.Hamlin@ottawa.ca>
Subject: RE: 1000 and 1050 Tawadina Road - Boundary Condition requests

Good evening, Winston

Upon further review, we have noted that you are not using the 2020 FUS method.

Please revise and send to me asap.

If you require additional information or clarification, please do not hesitate to contact me anytime.

Thank you

Regards,

Shawn Wessel, A.Sc.T.,rcji
Project Manager - Infrastructure Approvals
Gestionnaire de projet – Approbation des demandes d’infrastructures

Development Review Central Branch | Direction de l’examen des projets d’aménagement, Centrale
Planning, Real Estate and Economic Development Department | Direction générale de la planification des biens immobiliers et du
développement économique
City of Ottawa | Ville d’Ottawa
110 Laurier Ave. W. | 110, avenue Laurier Ouest, Ottawa ON K1P 1J1
(613) 580 2424 Ext. | Poste 33017
Int. Mail Code | Code de Courrier Interne 01-14
shawn.wessel@ottawa.ca

 Please consider the environment before printing this email

*****Please also note that, while my work hours may be affected by the current situation and am working from home, I still have access to email, video conferencing and telephone. Feel free to schedule video conferences and/or telephone calls, as necessary.*****

From: Yang, Winston <Winston.Yang@wsp.com>

Sent: June 13, 2022 1:47 PM

To: Wessel, Shawn <shawn.wessel@ottawa.ca>; Hamlin, Allison <Allison.Hamlin@ottawa.ca>

Subject: 1000 and 1050 Tawadina Road - Boundary Condition requests

CAUTION: This email originated from an External Sender. Please do not click links or open attachments unless you recognize the source.

ATTENTION : Ce courriel provient d'un expéditeur externe. Ne cliquez sur aucun lien et n'ouvrez pas de pièce jointe, excepté si vous connaissez l'expéditeur.

Hi Shawn,

We are working on the SPA for the 1000 – 1050 Tawadina Road. The proposed development consists three sites, each site will have a 9 storey apartment building.

Building 1 is bounded by Barielle Snow St to the west, Michael/Stoqua Street to the east, Hemlock Road to the south and future residential development to the north.

Building 2 is bounded by Barielle Snow St to the east, Hemlock Road to the south, future residential development to the north and future park land to the west.

Building 3 is bounded by Codd's Road to the west, Tawadina Road to the north, future residential development to the east and future parking land to the south.

Building 1 and 2, each building will be serviced by a dual 200mm dia. water services from the existing 200mm W/M along Barielle Snow Street. Building 3 will be serviced by a dual 200mm dia. water services from the existing 400mm dia. W/M along Codd's Road.

Please see attached servicing plan for services location to all 3 buildings for your reference.

The domestic water demands were calculated using the City of Ottawa's Water Design Guidelines and fire demands were calculated using FUS 1999.

The results are summarized as follow.

Proposed Buildings	Average Daily Demand (L/s)	Maximum Daily Demand (L/s)	Maximum Hourly Demand (L/s)	Fire Demand (L/s)
Building 1				
Apartment Units	1.26	3.15	6.93	250
Commercial	0.01	0.02	0.04	
Total	1.27	3.17	6.94	250
Building 2				
Apartment Units	0.76	1.91	4.20	150
Commercial	0.01	0.01	0.02	
Total	0.77	1.92	4.22	150
Building 3				
Apartment Units	0.79	1.97	4.33	150
Commercial	0	0	0	
Total	0.79	1.97	4.33	150

Please also see attached pdfs for the detail calculation for FUS and water demands for your reference.

Please provide boundary condition at the connection points of Barielle Snow Street and Codd's Road in the vicinity of the property.

Should you have any questions please do not hesitate to contact me.

Yours truly,



Ding Bang (Winston) Yang, P.Eng.

Project Engineer
Municipal Engineering - Ottawa

T+ 1 613-690-0538
M+ 1 647-628-8108

WSP Canada Inc.
2611 Queensview Drive, Suite 300
Ottawa, Ontario,
K2B 8K2 Canada

wsp.com

NOTICE: This communication and any attachments ("this message") may contain information which is privileged, confidential, proprietary or otherwise subject to restricted disclosure under applicable law. This message is for the sole use of the intended recipient(s). Any unauthorized use, disclosure, viewing, copying, alteration, dissemination or distribution of, or reliance on, this message is strictly prohibited. If you have received this message in error, or you are not an authorized or intended recipient, please notify the sender immediately by replying to this message, delete this message and all copies from your e-mail system and destroy any printed copies. You are receiving this communication because you are listed as a current WSP contact. Should you have any questions regarding WSP's electronic communications policy, please consult our Anti-Spam Commitment at www.wsp.com/cas. For any concern or if you believe you should not be receiving this message, please forward this message to cascompliance@wsp.com so that we can promptly address your request. Note that not all messages sent by WSP qualify as commercial electronic messages.

AVIS : Ce message, incluant tout fichier l'accompagnant (« le message »), peut contenir des renseignements ou de l'information privilégiés, confidentiels, propriétaires ou à divulgation restreinte en vertu de la loi. Ce message est destiné à l'usage exclusif du/des destinataire(s) voulu(s). Toute utilisation non permise, divulgation, lecture, reproduction, modification, diffusion ou distribution est interdite. Si vous avez reçu ce message par erreur, ou que vous n'êtes pas un destinataire autorisé ou voulu, veuillez en aviser l'expéditeur immédiatement et détruire le message et toute copie électronique ou imprimée. Vous recevez cette communication car vous faites partie des contacts de WSP. Si vous avez des questions concernant la politique de communications électroniques de WSP, veuillez consulter notre Engagement anti-pourriel au www.wsp.com/lcap. Pour toute question ou si vous croyez que vous ne devriez pas recevoir ce message, prière de le transférer au conformitelcap@wsp.com afin que nous puissions rapidement traiter votre demande. Notez que ce ne sont pas tous les messages transmis par WSP qui constituent des messages électroniques commerciaux.

-LAEmlHhHzdJzBITWfa4Hgs7pbKl

This e-mail originates from the City of Ottawa e-mail system. Any distribution, use or copying of this e-mail or the information it contains by other than the intended recipient(s) is unauthorized. Thank you.

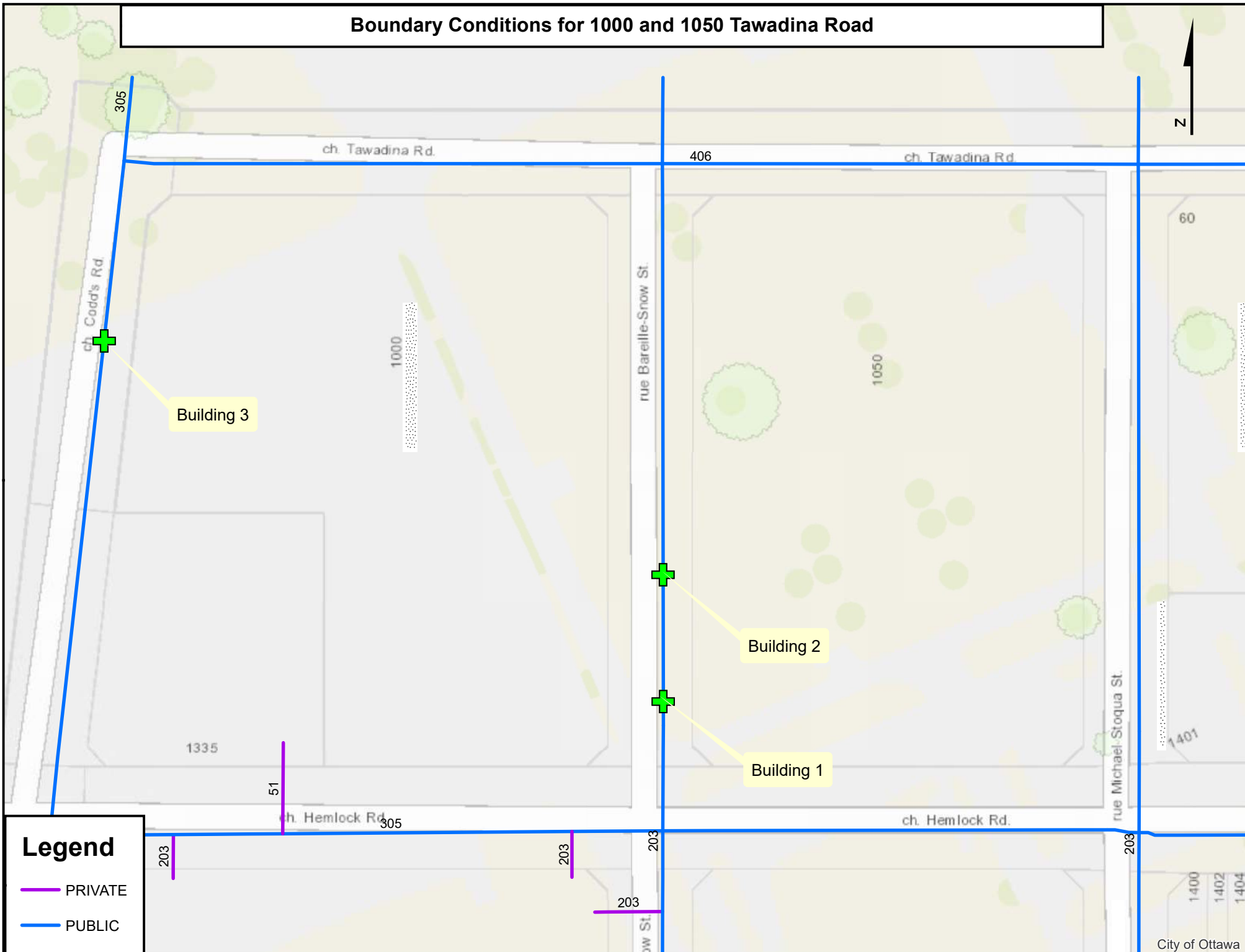
Le présent courriel a été expédié par le système de courriels de la Ville d'Ottawa. Toute distribution, utilisation ou reproduction du courriel ou des renseignements qui s'y trouvent par une personne autre que son destinataire prévu est interdite. Je vous remercie de votre collaboration.

This e-mail originates from the City of Ottawa e-mail system. Any distribution, use or copying of this e-mail or the information it contains by other than the intended recipient(s) is unauthorized. Thank you.

Le présent courriel a été expédié par le système de courriels de la Ville d'Ottawa. Toute distribution, utilisation ou reproduction du courriel ou des renseignements qui s'y trouvent par une personne autre que son destinataire prévu est interdite. Je vous remercie de votre collaboration.

,

Boundary Conditions for 1000 and 1050 Tawadina Road



Legend

-  PRIVATE
-  PUBLIC

PROJECT: WATERIDGE APARTMENT BUILDING
PROJECT #: 22-004
PROJECT ADDRESS: HEMLOCK ROAD AND CODD'S ROAD OTTAWA
DATE: 2023-12-19

Confirmation on protection requirements:

The type of construction for each building proposed for this development is non-combustible construction with non-combustible exterior cladding. The construction will have limited combustible materials as permitted by the OBC building classification.

Each building will be equipped with Siamese connection and automatic sprinkler protection in conformance with NFPA13.

We are designing the internal fire separations within a building in accordance with all requirements in OBC building classification. This includes addressing all openings and ensuring the protection of exterior openings as per OBC requirements /building classification.

If you have any further questions, please contact the undersigned.

Prepared by Eva Mataj, OAA
Principal
Mataj Architects Inc.



Distribution:

Company:

Name: City of Ottawa Contact: Rod Price Email: rod@demarcoconstruction.ca

Delivered by:

Fax Email Courier Mail Hand

Water Demand Calculation Sheet

Project: 1000 - 1050 Tawadina Street
Location: City of Ottawa
WSP Project No. 221-04473-00

Date: 2024-08-19
Design: WY
Page: 1 of 1



Proposed Buildings	Residential				Pop.	Non-Residential			Average Daily Demand (l/s)			Maximum Daily Demand (l/s)			Maximum Hourly Demand (l/s)			Fire Demand (l/s)
	Units					Industrial	Institutional	Commercial	Demand (l/s)			Demand (l/s)			Demand (l/s)			
	SF	1 BED APT	2 BED APT	ST		(ha)	(ha)	(ha)	Res.	Non-Res.	Total	Res.	Non-Res.	Total	Res.	Non-Res.	Total	
Proposed 9-Storey Building 1																		
Units		156	60		407				1.32		1.32	3.30		3.30	7.25		7.25	117
Commercial								0.05		0.01	0.01		0.02		0.04		0.04	117
Total					407			0.05			1.33		3.32				7.29	117
Proposed 9-Storey Building 2																		
Units		96	35		246				0.80		0.80	2.00		2.00	4.39		4.39	67
Commercial								0.02		0.01	0.01		0.01		0.02		0.02	67
Total					246			0.02			0.81		2.01				4.41	67
Proposed 9-Storey Building 3																		
Units		100	21		224				0.73		0.73	1.82		1.82	3.99		3.99	67
Commercial								0.00		0.00	0.00		0.00		0.00		0.00	67
Total					224			0.00			0.73		1.82				3.99	67

Population Densities

Single Family	3.4 person/unit
Semi-Detached	2.7 person/unit
Duplex	2.3 person/unit
Townhome (Row)	2.7 person/unit
Bachelor Apartment	1.4 person/unit
1 Bedroom Apartment	1.8 person/unit
2 Bedroom Apartment	2.1 person/unit
3 Bedroom Apartment	3.1 person/unit
4 Bedroom Apartment	4.1 person/unit

Average Daily Demand

Residential	280 l/cap/day
Industrial	35000 l/ha/day
Institutional	28000 l/ha/day
Commercial	28000 l/ha/day

Maximum Daily Demand

Residential	2.5 x avg. day
Industrial	1.5 x avg. day
Institutional	1.5 x avg. day
Commercial	1.5 x avg. day

Maximum Hourly Demand

Residential	2.2 x max. day
Industrial	1.8 x max. day
Institutional	1.8 x max. day
Commercial	1.8 x max. day



Proposed 9-Storey Building 1
Fire Flow Requirements Based on Fire Underwriters Survey (FUS) 2020

1. An estimate of the Fire Flow required for a given fire area may be estimated by: $F = 220 C \sqrt{A}$

- F = required fire flow in litres per minute
- C = coefficient related to the type of construction
 - 1.5 for **Type V** Wood Frame Construction
 - 0.8 for **Type IV-A** Mass Timber Construction
 - 0.9 for **Type IV-B** Mass Timber Construction
 - 1.0 for **Type IV-C** Mass Timber Construction
 - 1.5 for **Type IV-D** Mass Timber Construction
 - 1.0 for **Type III** Ordinary Construction
 - 0.8 for **Type II** Noncombustible Construction
 - 0.6 for **Type I** Fire resistive Construction

A = 2-b) The single largest Floor Area plus 25% of each of the two immediately adjoining floors

A = 3338 m²

C = 0.8

F = 10167.7 L/min

rounded off to 10,000 L/min (min value of 2000 L/min)

2. The value obtained in 1. may be reduced by as much as 25% for occupancies having a low contents fire hazard.

Non-combustible	-25%
Limited Combustible	-15%
Combustible	0%
Free Burning	15%
Rapid Burning	25%

Reduction due to low occupancy hazard -15% x 10,000 = 8,500 L/min

3. The value obtained in 2. may be reduced by as much as 50% for buildings equipped with automatic sprinkler protection.

Adequate Sprinkler confirms to NFPA13	-30%
Water supply common for sprinklers & fire hoses	-10%
Fully supervised system	-10%
No Automatic Sprinkler System	0%

Reduction due to Sprinkler System -40% x 8,500 = -3,400 L/min

4. The value obtained in 2. is increased for structures exposed within 45 metres by the fire area under consideration.

Separation	Charge
0 to 3 m	25%
3.1 to 10 m	20%
10.1 to 20 m	15%
20.1 to 30 m	10%
30.1 to 45 m	0%

Side 1	45	0% north side
Side 2	30	10% east side
Side 3	35	5% south side
Side 4	31	5% west side

20% (Total shall not exceed 75%)

Increase due to separation 20% x 8,500 = 1,700 L/min

5. The flow requirement is the value obtained in 2., minus the reduction in 3., plus the addition in 4.

- The fire flow requirement is 7,000 L/min (Rounded to nearest 1000 L/min)
- or 117 L/sec
- or 1,849 gpm (us)
- or 1,540 gpm (uk)



Proposed 9-Storey Building 2
Fire Flow Requirements Based on Fire Underwriters Survey (FUS) 2020

1. An estimate of the Fire Flow required for a given fire area may be estimated by: $F = 220 C \sqrt{A}$

- F = required fire flow in litres per minute
- C = coefficient related to the type of construction
 - 1.5 for **Type V** Wood Frame Construction
 - 0.8 for **Type IV-A** Mass Timber Construction
 - 0.9 for **Type IV-B** Mass Timber Construction
 - 1.0 for **Type IV-C** Mass Timber Construction
 - 1.5 for **Type IV-D** Mass Timber Construction
 - 1.0 for **Type III** Ordinary Construction
 - 0.8 for **Type II** Noncombustible Construction
 - 0.6 for **Type I** Fire resistive Construction

A = 2-b) The single largest Floor Area plus 25% of each of the two immediately adjoining floors

A = 2150 m²
 C = 0.8
 F = 8159.8 L/min

rounded off to 8,000 L/min (min value of 2000 L/min)

2. The value obtained in 1. may be reduced by as much as 25% for occupancies having a low contents fire hazard.

Non-combustible	-25%
Limited Combustible	-15%
Combustible	0%
Free Burning	15%
Rapid Burning	25%

Reduction due to low occupancy hazard -15% x 8,000 = 6,800 L/min

3. The value obtained in 2. may be reduced by as much as 50% for buildings equipped with automatic sprinkler protection.

Adequate Sprinkler confirms to NFPA13	-30%
Water supply common for sprinklers & fire hoses	-10%
Fully supervised system	-10%
No Automatic Sprinkler System	0%

Reduction due to Sprinkler System -40% x 6,800 = -2,720 L/min

4. The value obtained in 2. is increased for structures exposed within 45 metres by the fire area under consideration.

Separation	Charge
0 to 3 m	25%
3.1 to 10 m	20%
10.1 to 20 m	15%
20.1 to 30 m	10%
30.1 to 45 m	0%

Side 1	125	0% north side
Side 2	31	0% east side
Side 3	35	0% south side
Side 4	90	0% west side

0% (Total shall not exceed 75%)

Increase due to separation 0% x 6,800 = 0 L/min

5. The flow requirement is the value obtained in 2., minus the reduction in 3., plus the addition in 4.

The fire flow requirement is 4,000 L/min (Rounded to nearest 1000 L/min)
 or 67 L/sec
 or 1,057 gpm (us)
 or 880 gpm (uk)



Proposed 9-Storey Building 3
Fire Flow Requirements Based on Fire Underwriters Survey (FUS) 2020

1. An estimate of the Fire Flow required for a given fire area may be estimated by: $F = 220 C \sqrt{A}$

- F = required fire flow in litres per minute
- C = coefficient related to the type of construction
 - 1.5 for **Type V** Wood Frame Construction
 - 0.8 for **Type IV-A** Mass Timber Construction
 - 0.9 for **Type IV-B** Mass Timber Construction
 - 1.0 for **Type IV-C** Mass Timber Construction
 - 1.5 for **Type IV-D** Mass Timber Construction
 - 1.0 for **Type III** Ordinary Construction
 - 0.8 for **Type II** Noncombustible Construction
 - 0.6 for **Type I** Fire resistive Construction

A = 2-b) The single largest Floor Area plus 25% of each of the two immediately adjoining floors

A = 2178 m²
 C = 0.8
 F = 8214.6 L/min

rounded off to 8,000 L/min (min value of 2000 L/min)

2. The value obtained in 1. may be reduced by as much as 25% for occupancies having a low contents fire hazard.

Non-combustible	-25%
Limited Combustible	-15%
Combustible	0%
Free Burning	15%
Rapid Burning	25%

Reduction due to low occupancy hazard $-15\% \times 8,000 = 6,800$ L/min

3. The value obtained in 2. may be reduced by as much as 50% for buildings equipped with automatic sprinkler protection.

Adequate Sprinkler confirms to NFPA13	-30%
Water supply common for sprinklers & fire hoses	-10%
Fully supervised system	-10%
No Automatic Sprinkler System	0%

Reduction due to Sprinkler System $-40\% \times 6,800 = -2,720$ L/min

4. The value obtained in 2. is increased for structures exposed within 45 metres by the fire area under consideration.

Separation	Charge
0 to 3 m	25%
3.1 to 10 m	20%
10.1 to 20 m	15%
20.1 to 30 m	10%
30.1 to 45 m	0%

Side 1	45	0% north side
Side 2	100	0% east side
Side 3	95	0% south side
Side 4	40	0% west side

0% (Total shall not exceed 75%)

Increase due to separation $0\% \times 6,800 = 0$ L/min

5. The flow requirement is the value obtained in 2., minus the reduction in 3., plus the addition in 4.

The fire flow requirement is 4,000 L/min (Rounded to nearest 1000 L/min)
 or 67 L/sec
 or 1,057 gpm (us)
 or 880 gpm (uk)

APPENDIX

APPENDIX

C

- SANITARY SEWER DESIGN SHEET

SANITARY SEWER DESIGN SHEET

**1000 - 1050 Tawadina Street
Residential Development
Project: 221-04473-00
Date: August, 2024**



LOCATION			RESIDENTIAL AREA AND POPULATION											INDUSTRIAL		COMMERCIAL		INSTITUTIONAL		I-C-I		INFILTRATION			TOTAL	PIPE												
LOCATION	FROM M.H.	TO M.H.	SANITARY DRAINAGE AREA ID	INDV AREA (ha)	ACCU AREA (ha)	NUMBER OF UNITS			POPULATION		PEAK FACT.	PEAK FLOW (l/s)	GROSS AREA (ha)	DEVEL. AREA (ha)	ACCU. AREA (ha)	PEAK FACTOR	INDV AREA (ha)	ACCU. AREA (ha)	INDV AREA (ha)	ACCU. AREA (ha)	PEAK FLOW (l/s)	INDV AREA (ha)	ACCU. AREA (ha)	INFILT. FLOW (l/s)	TOTAL FLOW (l/s)	LENGTH (m)	DIA. (mm)	SLOPE (%)	CAP. (FULL) (l/s)	VEL. (FULL) (m/s)	AVAIL. CAP. (%)							
						SINGLES	SEMIS	TOWNS	1-BED APT.	2-BED APT.																						3-BED APT.	INDIV POP.	ACCU POP.				
BUILDING 1 - BAREILLE-SNOW STREET																																						
	BLDG 1	SAMH101		0.469	0.469				156.00	60.00		407	407	3.41	4.50									0.05	0.05			0.02	0.519	0.52	0.17	4.69	1.70	200	1.00	32.80	1.04	85.70%
Bareille-Snow Street	SAMH101	Ex. SANMH308A		0.469							407	407	3.41	4.50									0.05			0.02	0.000	0.52	0.17	4.69	10.85	200	1.00	32.80	1.04	85.70%		
BUILDING 2 - BAREILLE-SNOW STREET																																						
	BLDG 2	SAMH201		0.354	0.354				96.00	35.00		246	246	3.49	2.79								0.02	0.02			0.01	0.374	0.37	0.12	2.92	3.95	200	1.00	32.80	1.04	91.11%	
Bareille-Snow Street	SAMH201	EXISTING SEWER		0.354							246	246	3.49	2.79								0.02			0.01	0.000	0.37	0.12	2.92	10.92	200	1.00	32.80	1.04	91.11%			
IBI DESIGN BRIEF PHASE 2B																																						
EXT-1	BULK304AN	Ex. SANMH304A		7.350	7.350				905.00			1629	1629	3.12	16.49													7.350	7.35	2.43	18.91	20.00	250	0.25	29.73	0.61	36.40%	
Future Development	Ex. SANMH304A	Ex. SANMH308A		1.475	8.825				140.00			252	1881	3.09	18.81													1.475	8.83	2.91	21.72	119.13	250	0.25	29.73	0.61	26.96%	
	Ex. SANMH308A	BULK206AN		0.070	9.718						0	2534	3.00	24.66								0.07			0.070	9.79	3.23	27.89	17.00	250	2.05	85.14	1.73	67.24%				
BUILDING 3 - CODD'S ROAD																																						
	BLDG 3	SAMH301		0.375	0.375				100.00	21.00		224	224	3.50	2.54													0.375	0.38	0.12	2.67	6.10	200	1.00	32.80	1.04	91.86%	
Codd's Road	SAMH301	EXISTING SEWER		0.375							224	224	3.50	2.54													0.000	0.38	0.12	2.67	12.75	200	1.00	32.80	1.04	91.86%		
IBI DESIGN BRIEF PHASE 2B																																						
EXT-1	Ex. SANMH340A	Ex. SANMH231A		0.599	0.599						0	3.80	0.00															0.599	0.60	0.20	0.20	70.00	250	1.50	72.83	1.48	99.73%	
	Ex. SANMH231A	BULK176AN		0.974							0	224	3.50	2.54														0.000	0.97	0.32	2.87	50.22	250	1.83	80.45	1.64	96.44%	
DESIGN PARAMETERS																																						
RESIDENTIAL AVG. DAILY FLOW = 280 l/cap/day COMMERCIAL AVG. DAILY FLOW = 28,000 l/ha/day INSTITUTIONAL AVG. DAILY FLOW = 28,000 l/ha/day LIGHT INDUSTRIAL FLOW = 0.405 l/ha/s HEAVY INDUSTRIAL FLOW = 55,000 l/ha/day				COMMERCIAL PEAK FACTOR = 1.5 (WHEN AREA > 20%) 1.0 (WHEN AREA < 20%) INSTITUTIONAL PEAK FACTOR = 1.5 (WHEN AREA > 20%) 1.0 (WHEN AREA < 20%) RESIDENTIAL CORRECTION FACTOR, K = 0.80 MANNING N = 0.013 PEAK EXTRANEIOUS FLOW, I (l/s/ha) = 0.33				PEAK POPULATION FLOW, (l/s) = $P^*q^*M/86400$ PEAK EXTRANEIOUS FLOW, (l/s) = I^*Ac RESIDENTIAL PEAKING FACTOR, M = $1+(14/(4+P^*0.5))^*K$ Ac = CUMULATIVE AREA (ha) P = POPULATION (THOUSANDS) SEWER CAPACITY, Qcap (l/s) = $1/N S^{1/2} R^{2/3} Ac$ (MANNING'S EQUATION)				UNIT TYPE PERSONS/UNIT SINGLES 3.4 SEMI-DETACHED 2.7 TOWNHOMES 2.7 SINGLE APT. UNIT 1.8 2-BED APT. UNIT 2.1 3-BED APT. UNIT 3.1				DESIGNED: Jieyi Tan CHECKED: Ding Bang Yang, P.Eng. PROJECT: 1000 - 1050 Tawadina Street Residential Development LOCATION: Ottawa, Ontario PAGE NO: 1 of 1		NO. REVISION DATE 1. City Submission No.1 2022-08-15 2. City Submission No. 2 2023-05-25 3. City Submission No. 3 2024-08-19		FILE & DWG. REFERENCE: C103, C204, C205																		

APPENDIX

APPENDIX

D

- STORM SEWER DESIGN SHEET
- GRADING PLANS
- SERVICING PLANS
- DRAINAGE AREAS PLANS
- STORMTECH CHAMBERS

STORM SEWER DESIGN SHEET

1000 - 1050 Tawadina Road
Residential Development
Project: 211-04473-00
Date: August 2024



LOCATION				AREA (Ha)						RATIONAL DESIGN FLOW										PROPOSED SEWER DATA																								
STREET	AREA ID	FROM	TO	C=0.25	C=0.50	C=0.70	C=0.80	C=0.90	C=1.00	IND 2.78AC	CUM 2.78 AC	INLET (min)	TOTAL (min)	i (2) (mm/hr)	i (5) (mm/hr)	i (100) (mm/hr)	BLDG FLOW (L/s)	2yr PEAK FLOW (L/s)	5yr PEAK FLOW (L/s)	100yr PEAK FLOW (L/s)	ICD FIXED FLOW (L/s)	DESIGN FLOW (L/s)	MODIFIED DESIGN FLOW (L/s)	MATERIAL PIPE	SIZE (mm)	SLOPE (%)	LENGTH (m)	CAPACITY (l/s)	VELOCITY (m/s)	TIME IN PIPE	AVAIL CAP (2yr) (L/s)	(%)												
To Bareille-Snow Street from Building 1																																												
Bareille-Snow Street	S101	CB101	STMH106	0.005				0.029		0.076	0.076	10.00	10.44	76.81	104.19	178.56		5.84					5.84		PVC DR-35	200.0	1.00	27.70	32.83	1.04	0.44	26.99	82.21%											
			STMH106							0.000	0.076	10.44	10.65	75.15	101.91	174.61		5.71					5.71		PVC DR-35	250.0	0.50	10.90	42.09	0.86	0.21	36.38	86.43%											
	S102	CBMH105	CBMH104	0.011				0.047		0.125	0.201	10.65	11.15	74.38	100.86	172.79		14.97					14.97		PVC DR-35	250.0	0.50	25.70	42.09	0.86	0.50	27.12	64.43%											
	S-BLDG1 & S105	BLDG	CBMH104	0.005	0.024			0.059	0.196	0.729	0.729	10.00	10.06	76.81	104.19	178.56		56.02					56.02		PVC DR-35	300.0	1.00	5.10	96.80	1.37	0.06	40.78	42.13%											
	S103	CBMH104	CHAMBER	0.009	0.003			0.051		0.138	1.069	11.15	11.15	72.64	98.47	168.65		77.63					77.63		PVC DR-35								Refer to Chamber Design											
		CHAMBER	CBMH101							0.000	1.069	11.15	11.15	72.64	98.47	168.65		77.63					77.63		PVC DR-35								Refer to Chamber Design											
		CBMH101	STMH103							0.000	1.069	11.15	11.31	72.64	98.47	168.65		77.63					77.63		PVC DR-35	375.0	0.40	9.10	111.00	1.00	0.15	33.38	30.07%											
		STMH103	STMH205							0.000	1.069	11.31	11.51	72.13	97.77	167.45		77.08					77.08		PVC DR-35	375.0	0.40	12.40	111.00	1.00	0.21	33.92	30.56%											
To Bareille-Snow Street from Building 2																																												
Bareille-Snow Street	S201	CB201	STMH204	0.011	0.001			0.004		0.019	0.019	10.00	10.42	76.81	104.19	178.56		1.46					1.46		PVC DR-35	200.0	1.00	26.20	32.83	1.04	0.42	31.37	95.55%											
	S-BLDG2, S204, S205	BLDG	CBMH203	0.010	0.030			0.066	0.124	0.559	0.559	10.00	10.05	76.81	104.19	178.56		42.92					42.92		PVC DR-35	300.0	1.00	4.20	96.80	1.37	0.05	53.88	55.66%											
	S202	CBMH203	STMH204	0.011	0.001			0.071		0.187	0.745	10.05	10.10	76.61	103.92	178.09		57.11					57.11		PVC DR-35	300.0	1.00	3.95	96.80	1.37	0.05	39.69	41.00%											
			STMH204							0.000	0.765	10.42	10.42	75.24	102.03	174.82		57.52					57.52		PVC DR-35								Refer to Chamber Design											
		CHAMBER	CBMH202							0.000	0.765	10.42	10.42	75.24	102.03	174.82		57.52					57.52		PVC DR-35								Refer to Chamber Design											
		CBMH202	STMH205							0.000	0.765	10.42	10.60	75.24	102.03	174.82		57.52					57.52		PVC DR-35	300.0	1.00	15.15	96.80	1.37	0.18	39.28	40.58%											
To Bareille-Snow Street from Future Development																																												
Bareille-Snow Street	Future Block 11							0.721		1.604	1.604	12.00	12.00	69.89	94.70	162.13		112.07					112.07																					
Bareille-Snow Street	Future Block 12							0.492		1.094	1.094	12.00	12.00	69.89	94.70	162.13		76.48					76.48																					
From IBI Phase 2B Design Brief																																												
Bareille-Snow Street	S309, S08, S308A	EX. MH309	EX. BULK206N					0.350		0.681	5.212	12.00	12.33	69.89	94.70	162.13		364.28					364.28		PVC DR-35	525.0	1.43	46.47	514.80	2.38	0.33	150.52	29.24%											
To Codd's Road from Building 3																																												
	S-BLDG3, S301	BLDG	STMH303	0.012	0.053			0.111		0.360	0.360	10.00	10.03	76.81	104.19	178.56		27.63					27.63		PVC DR-35	300.0	1.00	2.75	96.80	1.37	0.03	69.17	71.46%											
			STMH303							0.000	0.360	10.03	10.09	76.68	104.02	178.25		27.58					27.58		PVC DR-35	300.0	1.00	4.55	96.80	1.37	0.06	69.22	71.50%											
			CHAMBER							0.000	0.360	10.09	10.09	76.47	103.73	177.75		27.51					27.51		PVC DR-35								Refer to Chamber Design											
		CHAMBER	CBMH302							0.000	0.360	10.09	10.25	76.47	103.73	177.75		27.51					27.51		PVC DR-35	300.0	1.00	13.55	96.80	1.37	0.17	69.29	71.58%											
		CBMH302	EX. SEWER							0.000	0.360	10.09	10.25	76.47	103.73	177.75		27.51					27.51		PVC DR-35	300.0	1.00	13.55	96.80	1.37	0.17	69.29	71.58%											
From IBI Phase 2B Design Brief																																												
Codd's Road	S304, S304A, S340, B340A	EX. MH305	EX. MH231					0.400	0.780	2.841	3.201	10.25	10.75	75.84	102.87	176.27		242.77					242.77		PVC DR-35	750.0	1.30	85.55	1270.61	2.87	0.50	1027.85	80.89%											
Definition: Q=2.78CiA, where: Q = Peak Flow in Litres per Second (L/s) A = Area in Hectares (Ha) i = Rainfall Intensity in millimeters per hour (mm/hr) i = 732.951/(TC+6.199)^0.810 i = 1174.184/(TC+6.014)^0.816 i = 1735.688/(TC+6.014)^0.820 2 Year 5 Year 100 Year				Notes: 1. Mannings coefficient (n) = 0.013				Time-of-Concentration in the Swale FAA Equation: t (min) = 3.258 [(1.1 - C) L^0.5 / S^0.33] Where: Longest Watercourse Length, L (m). S (%) Runoff Coef.C = Impervious				Designed: J.T. Checked: D.B.Y. Dwg. Reference: C105, C208, C209				<table border="1"> <thead> <tr> <th>No.</th> <th>Revision</th> <th>Date</th> </tr> </thead> <tbody> <tr> <td>1.</td> <td>City Submission No. 1</td> <td>2022-08-15</td> </tr> <tr> <td>2.</td> <td>City Submission No. 2</td> <td>2023-05-25</td> </tr> <tr> <td>3.</td> <td>City Submission No. 3</td> <td>2023-12-18</td> </tr> <tr> <td>4.</td> <td>City Submission No. 4</td> <td>2024-08-19</td> </tr> </tbody> </table>				No.	Revision	Date	1.	City Submission No. 1	2022-08-15	2.	City Submission No. 2	2023-05-25	3.	City Submission No. 3	2023-12-18	4.	City Submission No. 4	2024-08-19	<table border="1"> <thead> <tr> <th>File Reference:</th> <th>Date:</th> <th>Sheet No:</th> </tr> </thead> <tbody> <tr> <td>221-04473-00</td> <td>2024-08-19</td> <td>1 of 1</td> </tr> </tbody> </table>				File Reference:	Date:	Sheet No:	221-04473-00	2024-08-19	1 of 1
No.	Revision	Date																																										
1.	City Submission No. 1	2022-08-15																																										
2.	City Submission No. 2	2023-05-25																																										
3.	City Submission No. 3	2023-12-18																																										
4.	City Submission No. 4	2024-08-19																																										
File Reference:	Date:	Sheet No:																																										
221-04473-00	2024-08-19	1 of 1																																										

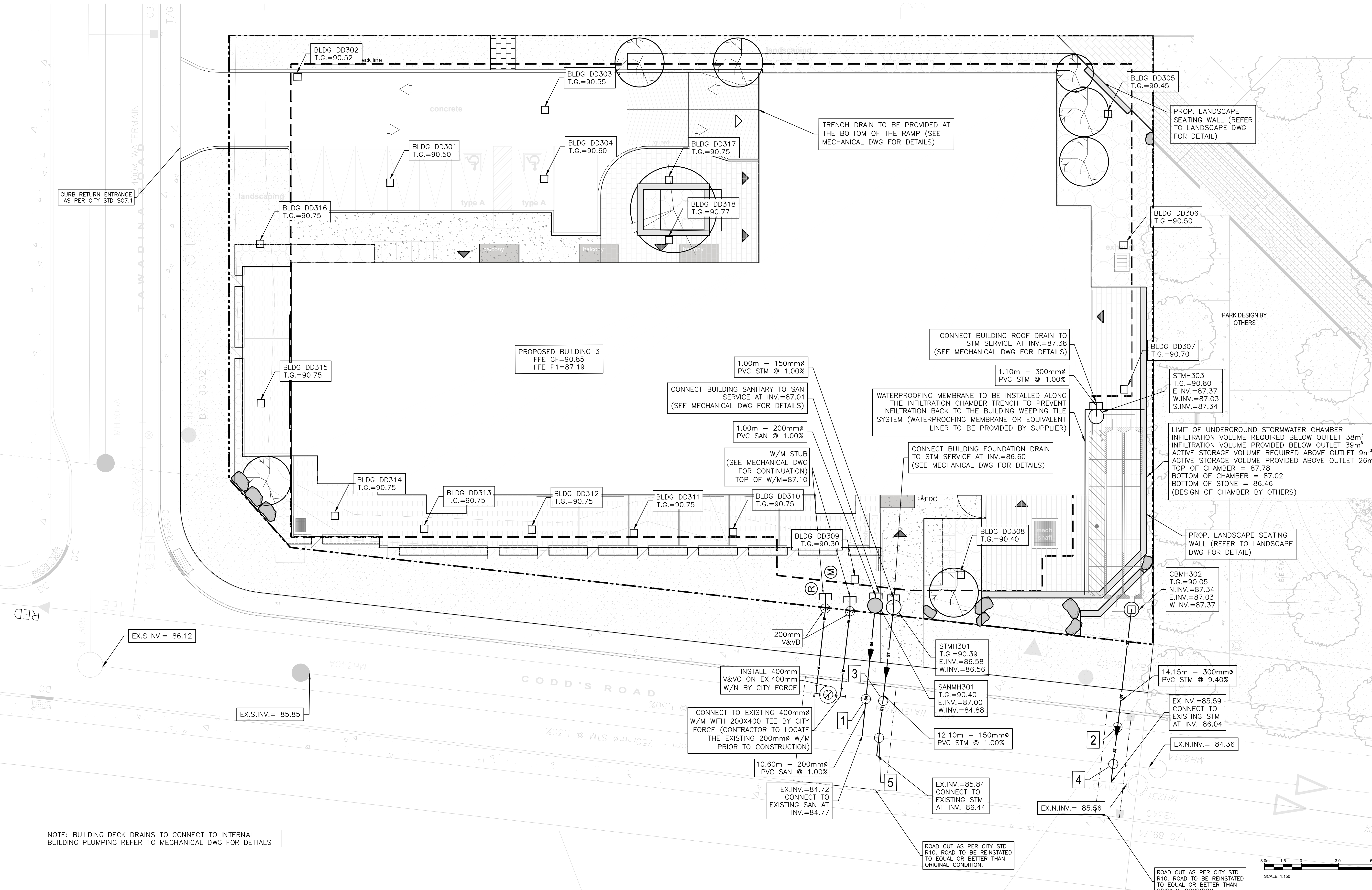
STORM STRUCTURE TABLE														
STRUCTURE ID	AREA ID	TOP OF GRATE	STRUCTURE INFO				COVER	OUTLET PIPE INFO		ICD INFO				
			INLET	INLET	INLET	OUTLET		DIAMETER	TYPE	HEAD (m)	FLOW (l/s)	ICD TYPE		
BUILDING 3														
STMH301		90.39			86.580	86.560	1200mm DIA.	OPSD 701.010	S24.1	150	PVC SDR-35			
STMH303		90.80		87.370	87.340	87.030	1200mm DIA.	OPSD 701.010	S24.1	300	PVC SDR-35			
CBMH302		90.05		87.370	87.340	87.030	1200mm DIA.	OPSD 701.010	S28.1	300	PVC SDR-35			


SAN STRUCTURE TABLE							
STRUCTURE ID	TOP OF GRATE ELEVATION	INVERT	INLET		OUTLET	SIZE	COVER
			INLET	INLET			
BUILDING 3							
SANMH301	90.40		84.900	84.880	1200mm DIA.	OPSD-701.010	S24

BUILDING 3										
1	200mmØ PVC SAN	Obvert		2.320	Clearance Under	Invert		EX.400mmØ WM		
		85.000	84.800			87.720	87.320			
2	300mmØ PVC STM	86.425	86.125	0.385	Clearance Under	87.210	86.810	EX.400mmØ WM		
3	150mmØ PVC STM	86.639	86.489	0.641	Clearance Under	87.680	87.280	EX.400mmØ WM		
4	300mmØ PVC STM	86.143	85.843	1.178	Clearance Over	84.664	84.414	EX.250mmØ PVC SAN		
5	150mmØ PVC STM	86.609	86.459	1.068	Clearance Over	85.391	85.141	EX.250mmØ PVC SAN		

*Note: Provide Concrete Encased for crossing clearance less than 0.3m

WATERMAIN SCHEDULE					
STATION	DESCRIPTION	FINISHED GRADE	TOP OF WATERMAIN	AS-BUILT WATERMAIN	COVER
BUILDING 3					
0+000	W/M STUB	90.20	87.100		3.10
0+003.55	200mm VB	90.41	88.010		2.40
0+010.50	Connect to ex. 400mm W/M with TEE	90.17	87.770		2.40
1+000	W/M STUB	90.41	87.100		3.31
1+003.79	200mm VB	90.38	87.980		2.40
1+010.72	Connect to ex. 400mm W/M with TEE	90.15	87.750		2.40

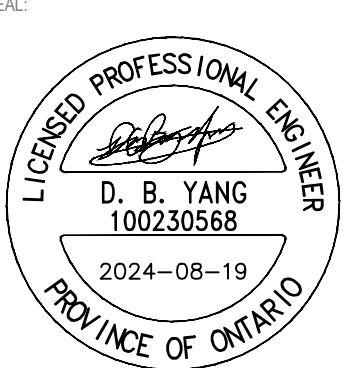




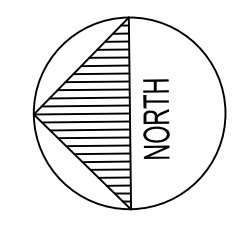
2011 QUEENSWAY DR.
OTTAWA, ONTARIO
CANADA K2B 8K2
T: 613-829-2800
F: 613-829-2299
WWW.WSP.COM

MATAJ ARCHITECTS INC.


418 IRAQUOIS SHORE ROAD, UNIT 206
CAKVILLE, ONTARIO
CANADA L3H 0R7
T: 416-897-2867
E: EV@MATAJARCHITECTS.COM



LICENCED PROFESSIONAL ENGINEER
D. B. YANG
100230568
2024-08-19
PROVINCE OF ONTARIO




NORTH



BG BAYVIEW GROUP

WATERIDGE APARTMENTS BUILDINGS
375 CODD'S ROAD AND
1345 HEMLOCK ROAD,
OTTAWA, ON



KEY PLAN

ISSUED FOR - REVISION	NO.	DATE	DESCRIPTION
ISSUED FOR CLC REVIEW	1	2022-05-24	ISSUED FOR CLC REVIEW
ISSUED FOR SPA	2	2022-08-15	ISSUED FOR SPA
REVISED AS PER CITY COMMENTS	3	2023-05-25	REVISED AS PER CITY COMMENTS
REVISED AS PER CITY COMMENTS	4	2023-11-24	REVISED AS PER CITY COMMENTS
REVISED AS PER CITY COMMENTS	5	2023-12-18	REVISED AS PER CITY COMMENTS
REVISED AS PER CITY COMMENTS	6	2024-02-05	REVISED AS PER CITY COMMENTS
REVISED AS PER CITY COMMENTS	7	2024-02-08	REVISED AS PER CITY COMMENTS
RE-ISSUED FOR SPA	8	2024-08-19	RE-ISSUED FOR SPA

PROJECT NO.	DATE
221-04473-00	AUGUST 2024

DESIGNED BY	DATE
DY	

DISCIPLINE	TITLE
CIVIL	SERVICING - BUILDING 3

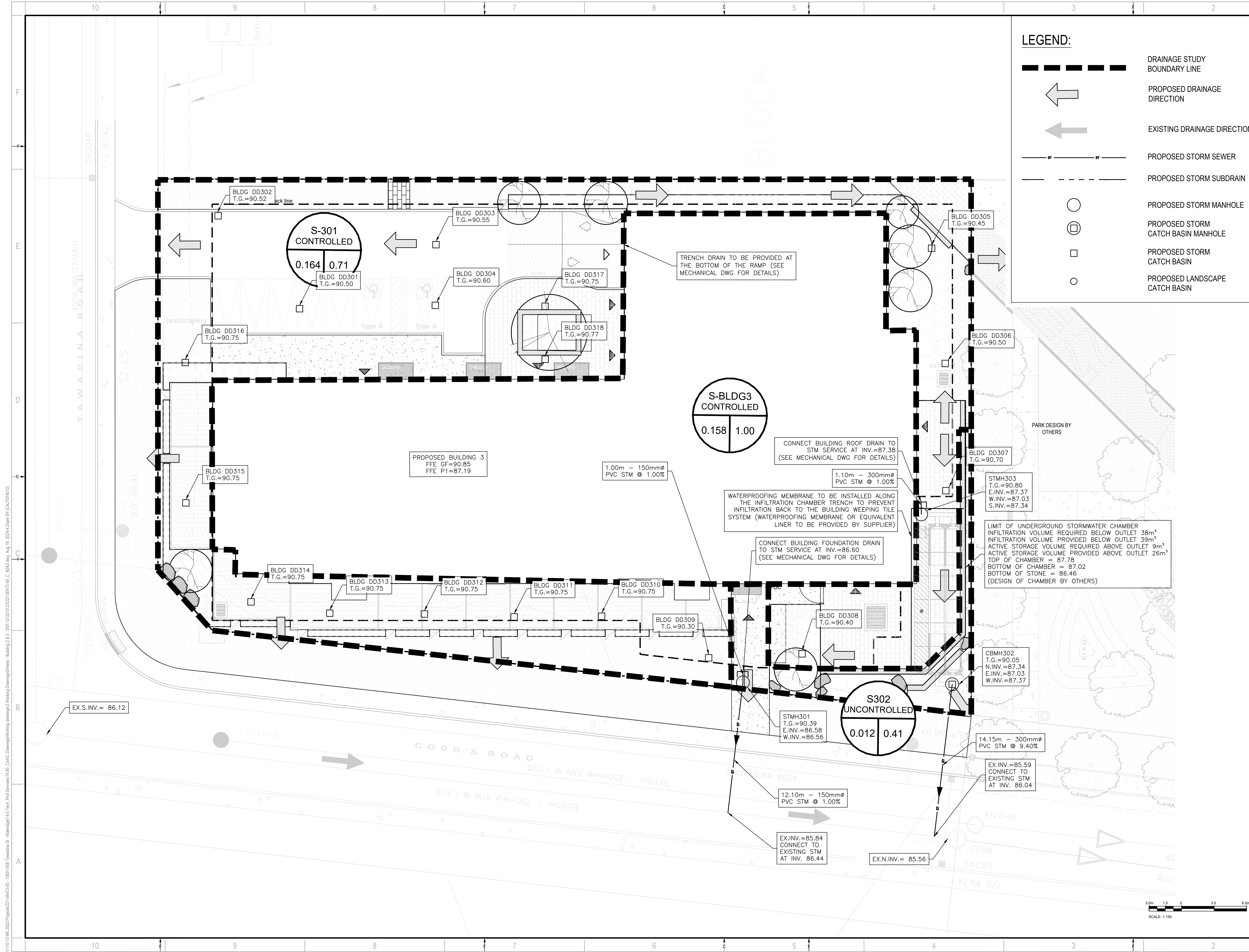
SHEET NUMBER	OF
C205	

ISSUE	REV #
RE-ISSUED FOR SPA	0

DATE OF: 2024-08-19

V:\10-13-1ME 2022\Projects\221-04473-00 - 1500\1500\Drawings\Working\Drawings\Working\Drawings\Building 3.dwg, Aug 19, 2024, 4:24pm BY: CAUTOT/4912

D07-12-22-0122



LEGEND:

- DRAINAGE STUDY BOUNDARY LINE
- PROPOSED DRAINAGE DIRECTION
- EXISTING DRAINAGE DIRECTION
- PROPOSED STORM SEWER
- PROPOSED STORM SUBDRAIN
- PROPOSED STORM MANHOLE
- PROPOSED STORM CATCH BASIN MANHOLE
- PROPOSED STORM CATCH BASIN
- PROPOSED LANDSCAPE CATCH BASIN

2011 QUEENSWAY DR.
OTTAWA, ONTARIO
CANADA K2B 8K2
T: 613-829-2800
F: 613-829-8299
WWW.WSP.COM

ARCHITECT:

MATAJ ARCHITECTS INC.

418 IRAQUOIS SHORE ROAD, UNIT 206
OAKVILLE, ONTARIO
CANADA L6H 0R7
T: 416-897-2867
E: EVA@MATAJARCHITECTS.COM

SEAL:

LICENSED PROFESSIONAL ENGINEER
D. B. YANG
100230568
2024-08-19
PROVINCE OF ONTARIO

NORTH

CLIENT:

BG BAYVIEW GROUP

CLIENT REF #

PROJECT:

WATERIDGE APARTMENTS BUILDINGS
375 CODD'S ROAD AND
1345 HEMLOCK ROAD,
OTTAWA, ON

KEY PLAN:

DISCLAIMER:

THIS DRAWING AND DESIGN IS COPYRIGHT PROTECTED WHICH SHALL NOT BE USED, REPRODUCED OR REVISED WITHOUT WRITTEN PERMISSION BY WSP. THE CONTRACTOR SHALL CHECK AND VERIFY ALL DIMENSIONS AND UTILITY LOCATIONS AND REPORT ALL ERRORS AND OMISSIONS PRIOR TO COMMENCING WORK. THIS DRAWING IS NOT TO BE SCALED.

BENCH MARK No. 0191968130 ELEVATION = 55.06 m

ELEVATIONS ARE GEODETIC, REFERRED TO CITY OF OTTAWA VERTICAL BENCH MARK No. 396 (191968130), HAVING AN ELEVATION OF 86.08 METRES.

COORDINATES ARE DERIVED FROM CANMET 2011 REAL TIME NETWORK GPS OBSERVATIONS REFERENCED TO SPECIFIED CONTROL POINTS 0191968105 AND 0191968101, MTM ZONE 9 (18°30' WEST LONGITUDE) (NAD83) (ORIGINAL).

ISSUED FOR - REVISION:

IS	RE	DATE	DESCRIPTION
8	2024-08-19	RE-ISSUED FOR SPA	
7	2024-02-08	REVISED AS PER CITY COMMENTS	
6	2024-02-05	REVISED AS PER CITY COMMENTS	
5	2023-12-18	REVISED AS PER CITY COMMENTS	
4	2023-11-24	REVISED AS PER CITY COMMENTS	
3	2023-05-25	REVISED AS PER CITY COMMENTS	
2	2022-08-15	ISSUED FOR SPA	
1	2022-05-24	ISSUED FOR CLC REVIEW	

PROJECT NO: 221-04473-00 DATE: AUGUST 2024

ORIGINAL SCALE: 1:150 IF THIS BAR IS NOT 25mm LONG, ADJUST YOUR PLOTTING SCALE.

DESIGNED BY: DY

DRAWN BY: JT

CHECKED BY: DY

DISCIPLINE: CIVIL

TITLE:

RESIDENTIAL DEVELOPMENT
STORM DRAINAGE PLAN
BUILDING 3

SHEET NUMBER: C209

SHEET # OF

ISSUE: RE-ISSUED FOR SPA

DATE OF: 2024-08-19

REV # 0

V:\10-13-18E-2022-Projects\221-04473-00-1000-1500-Tasmania-St.-Wateridge-14.0-Civil-3-Drawing\Working Drawings\2 Working Drawings\Building 3.dwg Aug 19, 2024 4:25pm BY: CAUT/1412

D07-12-22-0122

PROJECT INFORMATION	
ENGINEERED PRODUCT MANAGER:	HAIDER NASRULLAH 647-850-9417 HAIDER.NASRULLAH@ADSPIPE.COM
ADS SALES REP:	RYAN MARTIN 705-207-3059 RYAN.MARTIN@ADSPIPE.COM
PROJECT NO:	S334624
ADS SITE COORDINATOR:	RYAN RUBENSTEIN 519-710-3687 RYAN.RUBENSTEIN@ADS-PIPE.COM



WATERIDGE APARTMENT BUILDINGS

OTTAWA, ON

MC-4500 STORMTECH CHAMBER SPECIFICATIONS

- CHAMBERS SHALL BE STORMTECH MC-4500.
- CHAMBERS SHALL BE ARCH-SHAPED AND SHALL BE MANUFACTURED FROM VIRGIN, IMPACT-MODIFIED POLYPROPYLENE COPOLYMERS.
- CHAMBERS SHALL BE CERTIFIED TO CSA B184, "POLYMERIC SUB-SURFACE STORMWATER MANAGEMENT STRUCTURES", AND MEET THE REQUIREMENTS OF ASTM F2418, "STANDARD SPECIFICATION FOR POLYPROPYLENE (PP) CORRUGATED WALL STORMWATER COLLECTION CHAMBERS" CHAMBER CLASSIFICATION 60x101.
- CHAMBER ROWS SHALL PROVIDE CONTINUOUS, UNOBSTRUCTED INTERNAL SPACE WITH NO INTERNAL SUPPORTS THAT WOULD IMPEDE FLOW OR LIMIT ACCESS FOR INSPECTION.
- THE STRUCTURAL DESIGN OF THE CHAMBERS, THE STRUCTURAL BACKFILL, AND THE INSTALLATION REQUIREMENTS SHALL ENSURE THAT THE LOAD FACTORS SPECIFIED IN THE AASHTO LRFD BRIDGE DESIGN SPECIFICATIONS, SECTION 12.12, ARE MET FOR: 1) LONG-DURATION DEAD LOADS AND 2) SHORT-DURATION LIVE LOADS, BASED ON THE CSA S6 CL-625 TRUCK AND THE AASHTO DESIGN TRUCK WITH CONSIDERATION FOR IMPACT AND MULTIPLE VEHICLE PRESENCES.
- CHAMBERS SHALL BE DESIGNED, TESTED AND ALLOWABLE LOAD CONFIGURATIONS DETERMINED IN ACCORDANCE WITH ASTM F2787, "STANDARD PRACTICE FOR STRUCTURAL DESIGN OF THERMOPLASTIC CORRUGATED WALL STORMWATER COLLECTION CHAMBERS". LOAD CONFIGURATIONS SHALL INCLUDE: 1) INSTANTANEOUS (<1 MIN) AASHTO DESIGN TRUCK LIVE LOAD ON MINIMUM COVER 2) MAXIMUM PERMANENT (75-YR) COVER LOAD AND 3) ALLOWABLE COVER WITH PARKED (1-WEEK) AASHTO DESIGN TRUCK.
- REQUIREMENTS FOR HANDLING AND INSTALLATION:
 - TO MAINTAIN THE WIDTH OF CHAMBERS DURING SHIPPING AND HANDLING, CHAMBERS SHALL HAVE INTEGRAL, INTERLOCKING STACKING LUGS.
 - TO ENSURE A SECURE JOINT DURING INSTALLATION AND BACKFILL, THE HEIGHT OF THE CHAMBER JOINT SHALL NOT BE LESS THAN 75 mm (3").
 - TO ENSURE THE INTEGRITY OF THE ARCH SHAPE DURING INSTALLATION, a) THE ARCH STIFFNESS CONSTANT SHALL BE GREATER THAN OR EQUAL TO 450 LBS/FT/%. THE ASC IS DEFINED IN SECTION 6.2.8 OF ASTM F2418. AND b) TO RESIST CHAMBER DEFORMATION DURING INSTALLATION AT ELEVATED TEMPERATURES (ABOVE 23° C / 73° F), CHAMBERS SHALL BE PRODUCED FROM REFLECTIVE GOLD OR YELLOW COLORS.
- ONLY CHAMBERS THAT ARE APPROVED BY THE SITE DESIGN ENGINEER WILL BE ALLOWED. UPON REQUEST BY THE SITE DESIGN ENGINEER OR OWNER, THE CHAMBER MANUFACTURER SHALL SUBMIT A STRUCTURAL EVALUATION FOR APPROVAL BEFORE DELIVERING CHAMBERS TO THE PROJECT SITE AS FOLLOWS:
 - THE STRUCTURAL EVALUATION SHALL BE SEALED BY A REGISTERED PROFESSIONAL ENGINEER.
 - THE STRUCTURAL EVALUATION SHALL DEMONSTRATE THAT THE SAFETY FACTORS ARE GREATER THAN OR EQUAL TO 1.95 FOR DEAD LOAD AND 1.75 FOR LIVE LOAD, THE MINIMUM REQUIRED BY ASTM F2787 AND BY SECTIONS 3 AND 12.12 OF THE AASHTO LRFD BRIDGE DESIGN SPECIFICATIONS FOR THERMOPLASTIC PIPE.
 - THE TEST DERIVED CREEP MODULUS AS SPECIFIED IN ASTM F2418 SHALL BE USED FOR PERMANENT DEAD LOAD DESIGN EXCEPT THAT IT SHALL BE THE 75-YEAR MODULUS USED FOR DESIGN.
- CHAMBERS AND END CAPS SHALL BE PRODUCED AT AN ISO 9001 CERTIFIED MANUFACTURING FACILITY.

IMPORTANT - NOTES FOR THE BIDDING AND INSTALLATION OF MC-4500 CHAMBER SYSTEM

- STORMTECH MC-4500 CHAMBERS SHALL NOT BE INSTALLED UNTIL THE MANUFACTURER'S REPRESENTATIVE HAS COMPLETED A PRE-CONSTRUCTION MEETING WITH THE INSTALLERS.
- STORMTECH MC-4500 CHAMBERS SHALL BE INSTALLED IN ACCORDANCE WITH THE "STORMTECH MC-3500/MC-4500 CONSTRUCTION GUIDE".
- CHAMBERS ARE NOT TO BE BACKFILLED WITH A DOZER OR EXCAVATOR SITUATED OVER THE CHAMBERS. STORMTECH RECOMMENDS 3 BACKFILL METHODS:
 - STONESHOOTER LOCATED OFF THE CHAMBER BED.
 - BACKFILL AS ROWS ARE BUILT USING AN EXCAVATOR ON THE FOUNDATION STONE OR SUBGRADE.
 - BACKFILL FROM OUTSIDE THE EXCAVATION USING A LONG BOOM HOE OR EXCAVATOR.
- THE FOUNDATION STONE SHALL BE LEVELED AND COMPACTED PRIOR TO PLACING CHAMBERS.
- JOINTS BETWEEN CHAMBERS SHALL BE PROPERLY SEATED PRIOR TO PLACING STONE.
- MAINTAIN MINIMUM - 230 mm (9") SPACING BETWEEN THE CHAMBER ROWS.
- INLET AND OUTLET MANIFOLDS MUST BE INSERTED A MINIMUM OF 300 mm (12") INTO CHAMBER END CAPS.
- EMBEDMENT STONE SURROUNDING CHAMBERS MUST BE A CLEAN, CRUSHED, ANGULAR STONE WELL GRADED BETWEEN ¾" AND 2" (20-50 mm).
- STONE SHALL BE BROUGHT UP EVENLY AROUND CHAMBERS SO AS NOT TO DISTORT THE CHAMBER SHAPE. STONE DEPTHS SHOULD NEVER DIFFER BY MORE THAN 300 mm (12") BETWEEN ADJACENT CHAMBER ROWS.
- STONE MUST BE PLACED ON THE TOP CENTER OF THE CHAMBER TO ANCHOR THE CHAMBERS IN PLACE AND PRESERVE ROW SPACING.
- THE CONTRACTOR MUST REPORT ANY DISCREPANCIES WITH CHAMBER FOUNDATION MATERIAL BEARING CAPACITIES TO THE SITE DESIGN ENGINEER.
- ADS RECOMMENDS THE USE OF "FLEXSTORM CATCH IT" INSERTS DURING CONSTRUCTION FOR ALL INLETS TO PROTECT THE SUBSURFACE STORMWATER MANAGEMENT SYSTEM FROM CONSTRUCTION SITE RUNOFF.

NOTES FOR CONSTRUCTION EQUIPMENT

- STORMTECH MC-4500 CHAMBERS SHALL BE INSTALLED IN ACCORDANCE WITH THE "STORMTECH MC-3500/MC-4500 CONSTRUCTION GUIDE".
- THE USE OF EQUIPMENT OVER MC-4500 CHAMBERS IS LIMITED:
 - NO EQUIPMENT IS ALLOWED ON BARE CHAMBERS.
 - NO RUBBER TIRE LOADER, DUMP TRUCK, OR EXCAVATORS ARE ALLOWED UNTIL PROPER FILL DEPTHS ARE REACHED IN ACCORDANCE WITH THE "STORMTECH MC-3500/MC-4500 CONSTRUCTION GUIDE".
 - WEIGHT LIMITS FOR CONSTRUCTION EQUIPMENT CAN BE FOUND IN THE "STORMTECH MC-3500/MC-4500 CONSTRUCTION GUIDE".
- FULL 900 mm (36") OF STABILIZED COVER MATERIALS OVER THE CHAMBERS IS REQUIRED FOR DUMP TRUCK TRAVEL OR DUMPING.

USE OF A DOZER TO PUSH EMBEDMENT STONE BETWEEN THE ROWS OF CHAMBERS MAY CAUSE DAMAGE TO CHAMBERS AND IS NOT AN ACCEPTABLE BACKFILL METHOD. ANY CHAMBERS DAMAGED BY USING THE "DUMP AND PUSH" METHOD ARE NOT COVERED UNDER THE STORMTECH STANDARD WARRANTY.

CONTACT STORMTECH AT 1-888-892-2694 WITH ANY QUESTIONS ON INSTALLATION REQUIREMENTS OR WEIGHT LIMITS FOR CONSTRUCTION EQUIPMENT.

DC-780 STORMTECH CHAMBER SPECIFICATIONS

1. CHAMBERS SHALL BE STORMTECH DC-780.
2. CHAMBERS SHALL BE ARCH-SHAPED AND SHALL BE MANUFACTURED FROM VIRGIN, IMPACT-MODIFIED POLYPROPYLENE COPOLYMERS.
3. CHAMBERS SHALL BE CERTIFIED TO CSA B184, "POLYMERIC SUB-SURFACE STORMWATER MANAGEMENT STRUCTURES", AND MEET THE REQUIREMENTS OF ASTM F2418, "STANDARD SPECIFICATION FOR POLYPROPYLENE (PP) CORRUGATED WALL STORMWATER COLLECTION CHAMBERS".
4. CHAMBER ROWS SHALL PROVIDE CONTINUOUS, UNOBSTRUCTED INTERNAL SPACE WITH NO INTERNAL SUPPORTS THAT WOULD IMPEDE FLOW OR LIMIT ACCESS FOR INSPECTION.
5. THE STRUCTURAL DESIGN OF THE CHAMBERS, THE STRUCTURAL BACKFILL, AND THE INSTALLATION REQUIREMENTS SHALL ENSURE THAT THE LOAD FACTORS SPECIFIED IN THE AASHTO LRFD BRIDGE DESIGN SPECIFICATIONS, SECTION 12.12, ARE MET FOR: 1) LONG-DURATION DEAD LOADS AND 2) SHORT-DURATION LIVE LOADS, BASED ON THE CSA S6 CL-625 TRUCK AND THE AASHTO DESIGN TRUCK WITH CONSIDERATION FOR IMPACT AND MULTIPLE VEHICLE PRESENCES.
6. CHAMBERS SHALL BE DESIGNED, TESTED AND ALLOWABLE LOAD CONFIGURATIONS DETERMINED IN ACCORDANCE WITH ASTM F2787, "STANDARD PRACTICE FOR STRUCTURAL DESIGN OF THERMOPLASTIC CORRUGATED WALL STORMWATER COLLECTION CHAMBERS". LOAD CONFIGURATIONS SHALL INCLUDE: 1) INSTANTANEOUS (<1 MIN) AASHTO DESIGN TRUCK LIVE LOAD ON MINIMUM COVER 2) MAXIMUM PERMANENT (75-YR) COVER LOAD AND 3) ALLOWABLE COVER WITH PARKED (1-WEEK) AASHTO DESIGN TRUCK.
7. REQUIREMENTS FOR HANDLING AND INSTALLATION:
 - TO MAINTAIN THE WIDTH OF CHAMBERS DURING SHIPPING AND HANDLING, CHAMBERS SHALL HAVE INTEGRAL, INTERLOCKING STACKING LUGS.
 - TO ENSURE A SECURE JOINT DURING INSTALLATION AND BACKFILL, THE HEIGHT OF THE CHAMBER JOINT SHALL NOT BE LESS THAN 50 mm (2").
 - TO ENSURE THE INTEGRITY OF THE ARCH SHAPE DURING INSTALLATION, a) THE ARCH STIFFNESS CONSTANT SHALL BE GREATER THAN OR EQUAL TO 550 LBS/FT/%. THE ASC IS DEFINED IN SECTION 6.2.8 OF ASTM F2418. AND b) TO RESIST CHAMBER DEFORMATION DURING INSTALLATION AT ELEVATED TEMPERATURES (ABOVE 23° C / 73° F), CHAMBERS SHALL BE PRODUCED FROM REFLECTIVE GOLD OR YELLOW COLORS.
8. ONLY CHAMBERS THAT ARE APPROVED BY THE SITE DESIGN ENGINEER WILL BE ALLOWED. UPON REQUEST BY THE SITE DESIGN ENGINEER OR OWNER, THE CHAMBER MANUFACTURER SHALL SUBMIT A STRUCTURAL EVALUATION FOR APPROVAL BEFORE DELIVERING CHAMBERS TO THE PROJECT SITE AS FOLLOWS:
 - THE STRUCTURAL EVALUATION SHALL BE SEALED BY A REGISTERED PROFESSIONAL ENGINEER.
 - THE STRUCTURAL EVALUATION SHALL DEMONSTRATE THAT THE SAFETY FACTORS ARE GREATER THAN OR EQUAL TO 1.95 FOR DEAD LOAD AND 1.75 FOR LIVE LOAD, THE MINIMUM REQUIRED BY ASTM F2787 AND BY SECTIONS 3 AND 12.12 OF THE AASHTO LRFD BRIDGE DESIGN SPECIFICATIONS FOR THERMOPLASTIC PIPE.
 - THE TEST DERIVED CREEP MODULUS AS SPECIFIED IN ASTM F2418 SHALL BE USED FOR PERMANENT DEAD LOAD DESIGN EXCEPT THAT IT SHALL BE THE 75-YEAR MODULUS USED FOR DESIGN.
9. CHAMBERS AND END CAPS SHALL BE PRODUCED AT AN ISO 9001 CERTIFIED MANUFACTURING FACILITY.

IMPORTANT - NOTES FOR THE BIDDING AND INSTALLATION OF THE DC-780 CHAMBER SYSTEM

1. STORMTECH DC-780 CHAMBERS SHALL NOT BE INSTALLED UNTIL THE MANUFACTURER'S REPRESENTATIVE HAS COMPLETED A PRE-CONSTRUCTION MEETING WITH THE INSTALLERS.
2. STORMTECH DC-780 CHAMBERS SHALL BE INSTALLED IN ACCORDANCE WITH THE "STORMTECH SC-310/SC-740/DC-780 CONSTRUCTION GUIDE".
3. CHAMBERS ARE NOT TO BE BACKFILLED WITH A DOZER OR AN EXCAVATOR SITUATED OVER THE CHAMBERS. STORMTECH RECOMMENDS 3 BACKFILL METHODS:
 - STONESHOOTER LOCATED OFF THE CHAMBER BED.
 - BACKFILL AS ROWS ARE BUILT USING AN EXCAVATOR ON THE FOUNDATION STONE OR SUBGRADE.
 - BACKFILL FROM OUTSIDE THE EXCAVATION USING A LONG BOOM HOE OR EXCAVATOR.
4. THE FOUNDATION STONE SHALL BE LEVELED AND COMPACTED PRIOR TO PLACING CHAMBERS.
5. JOINTS BETWEEN CHAMBERS SHALL BE PROPERLY SEATED PRIOR TO PLACING STONE.
6. MAINTAIN MINIMUM - 150 mm (6") SPACING BETWEEN THE CHAMBER ROWS.
7. EMBEDMENT STONE SURROUNDING CHAMBERS MUST BE A CLEAN, CRUSHED, ANGULAR STONE WELL GRADED BETWEEN ¾" AND 2" (20-50 mm).
8. THE CONTRACTOR MUST REPORT ANY DISCREPANCIES WITH CHAMBER FOUNDATION MATERIALS BEARING CAPACITIES TO THE SITE DESIGN ENGINEER.
9. ADS RECOMMENDS THE USE OF "FLEXSTORM CATCH IT" INSERTS DURING CONSTRUCTION FOR ALL INLETS TO PROTECT THE SUBSURFACE STORMWATER MANAGEMENT SYSTEM FROM CONSTRUCTION SITE RUNOFF.

NOTES FOR CONSTRUCTION EQUIPMENT

1. STORMTECH DC-780 CHAMBERS SHALL BE INSTALLED IN ACCORDANCE WITH THE "STORMTECH SC-310/SC-740/DC-780 CONSTRUCTION GUIDE".
2. THE USE OF CONSTRUCTION EQUIPMENT OVER DC-780 CHAMBERS IS LIMITED:
 - NO EQUIPMENT IS ALLOWED ON BARE CHAMBERS.
 - NO RUBBER TIRE LOADERS, DUMP TRUCKS, OR EXCAVATORS ARE ALLOWED UNTIL PROPER FILL DEPTHS ARE REACHED IN ACCORDANCE WITH THE "STORMTECH SC-310/SC-740/DC-780 CONSTRUCTION GUIDE".
 - WEIGHT LIMITS FOR CONSTRUCTION EQUIPMENT CAN BE FOUND IN THE "STORMTECH SC-310/SC-740/DC-780 CONSTRUCTION GUIDE".
3. FULL 900 mm (36") OF STABILIZED COVER MATERIALS OVER THE CHAMBERS IS REQUIRED FOR DUMP TRUCK TRAVEL OR DUMPING.

USE OF A DOZER TO PUSH EMBEDMENT STONE BETWEEN THE ROWS OF CHAMBERS MAY CAUSE DAMAGE TO THE CHAMBERS AND IS NOT AN ACCEPTABLE BACKFILL METHOD. ANY CHAMBERS DAMAGED BY THE "DUMP AND PUSH" METHOD ARE NOT COVERED UNDER THE STORMTECH STANDARD WARRANTY.

CONTACT STORMTECH AT 1-888-892-2694 WITH ANY QUESTIONS ON INSTALLATION REQUIREMENTS OR WEIGHT LIMITS FOR CONSTRUCTION EQUIPMENT.

PROPOSED LAYOUT - BUILDING 1

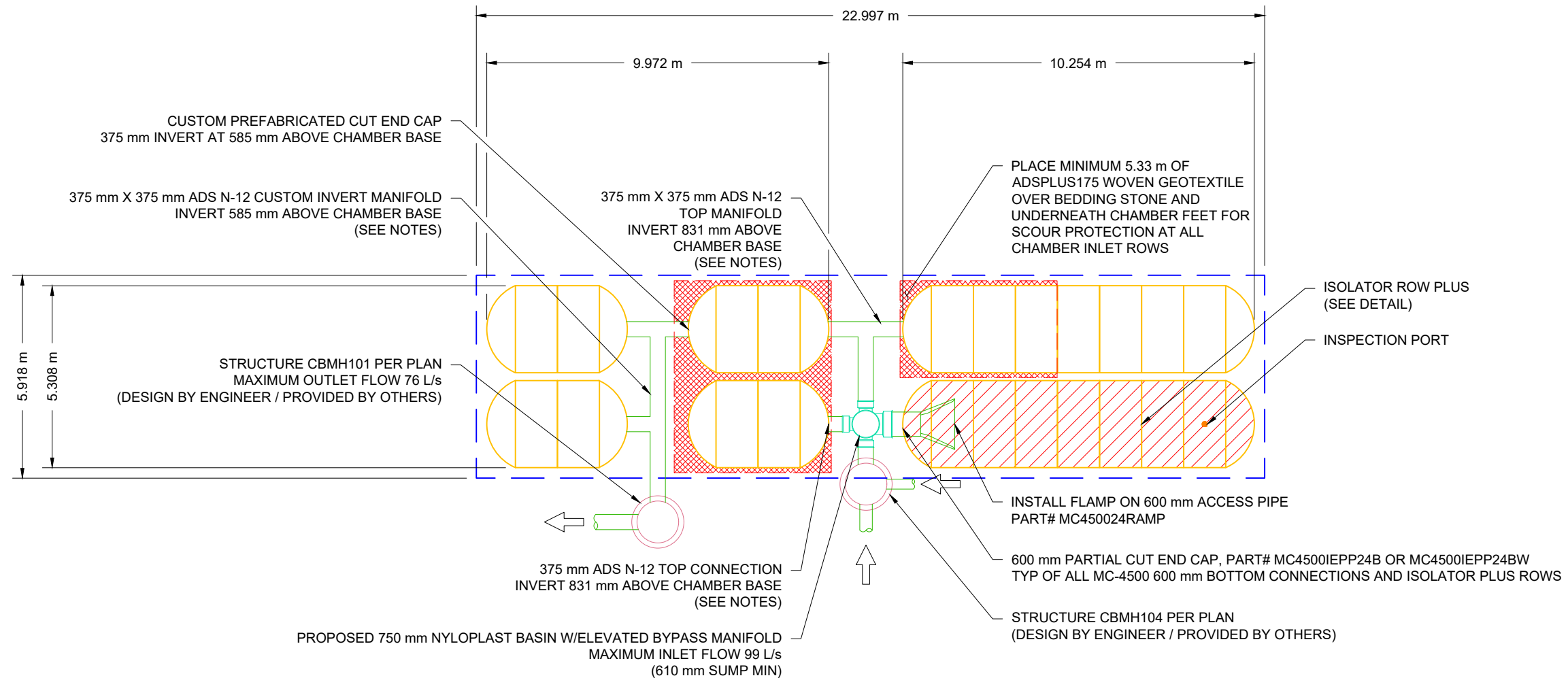
22	STORMTECH MC-4500 CHAMBERS
12	STORMTECH MC-4500 END CAPS
305	STONE ABOVE (mm)
229	STONE BELOW (mm)
40	% STONE VOID
90.0	INSTALLED SYSTEM VOLUME (m³) ABOVE ELEVATION 86.604 (PERIMETER STONE INCLUDED)
69.8	INSTALLED SYSTEM VOLUME (m³) BELOW ELEVATION 86.604 (PERIMETER STONE INCLUDED)
136.1	SYSTEM AREA (m²)
57.8	SYSTEM PERIMETER (m)

PROPOSED ELEVATIONS - BUILDING 1

89.677	MAXIMUM ALLOWABLE GRADE (TOP OF PAVEMENT/UNPAVED):
88.305	MINIMUM ALLOWABLE GRADE (UNPAVED WITH TRAFFIC):
88.153	MINIMUM ALLOWABLE GRADE (UNPAVED NO TRAFFIC):
88.153	MINIMUM ALLOWABLE GRADE (BASE OF FLEXIBLE PAVEMENT):
88.153	MINIMUM ALLOWABLE GRADE (TOP OF RIGID PAVEMENT):
87.848	TOP OF STONE:
87.543	TOP OF MC-4500 CHAMBER:
86.850	375 mm TOP MANIFOLD INVERT:
86.604	375 mm CUSTOM INVERT MANIFOLD:
86.077	600 mm ISOLATOR ROW PLUS INVERT:
86.019	BOTTOM OF MC-4500 CHAMBER:
85.790	BOTTOM OF STONE:

NOTES

- MANIFOLD SIZE TO BE DETERMINED BY SITE DESIGN ENGINEER. SEE TECHNICAL NOTE 6.32 FOR MANIFOLD SIZING GUIDANCE.
- DUE TO THE ADAPTATION OF THIS CHAMBER SYSTEM TO SPECIFIC SITE AND DESIGN CONSTRAINTS, IT MAY BE NECESSARY TO CUT AND COUPLE ADDITIONAL PIPE TO STANDARD MANIFOLD COMPONENTS IN THE FIELD.
- THIS CHAMBER SYSTEM WAS DESIGNED WITHOUT SITE-SPECIFIC INFORMATION ON SOIL CONDITIONS OR BEARING CAPACITY. THE SITE DESIGN ENGINEER IS RESPONSIBLE FOR DETERMINING THE SUITABILITY OF THE SOIL AND PROVIDING THE BEARING CAPACITY OF THE INSITU SOILS. THE BASE STONE DEPTH MAY BE INCREASED OR DECREASED ONCE THIS INFORMATION IS PROVIDED.
- STRUCTURES SHOWN ON THIS DESIGN ARE NOT INTENDED FOR MANWAY ACCESS. INSPECTION AND MAINTENANCE OF THE SYSTEM VIA THESE STRUCTURES IS RECOMMENDED TO BE COMPLETED WITH REMOTE CONTROLLED EQUIPMENT, OR ADHERE TO GUIDANCE BY PROFESSIONAL MAINTENANCE COMPANY.



WATERIDGE APARTMENT BUILDINGS

OTTAWA, ON
 DATE: 1-24-23
 DRAWN: BRE
 PROJECT #: S334624
 CHECKED: RWD

DATE	DRWN	CHKD	DESCRIPTION
01/25/24	JR	JR	IR ADDED TO BUILDING 3 SYSTEM
12/12/23	JR	JR	BUILDING 3 SYSTEM REVISED PER MARK UP
02/06/23	RCT	RCT	REVISED PER NEW PLANS

StormTech®
 Chamber System
 888-892-2694 | WWW.STORMTECH.COM

4640 TRUEMAN BLVD
 HILLIARD, OH 43026

SCALE = 1 : 150

THIS DRAWING HAS BEEN PREPARED BASED ON INFORMATION PROVIDED TO ADS UNDER THE DIRECTION OF THE SITE DESIGN ENGINEER OR OTHER PROJECT REPRESENTATIVE. THE SITE DESIGN ENGINEER SHALL REVIEW THIS DRAWING PRIOR TO CONSTRUCTION. IT IS THE ULTIMATE RESPONSIBILITY OF THE SITE DESIGN ENGINEER TO ENSURE THAT THE PRODUCT(S) DEPICTED AND ALL ASSOCIATED DETAILS MEET ALL APPLICABLE LAWS, REGULATIONS, AND PROJECT REQUIREMENTS.

PROPOSED LAYOUT - BUILDING 2

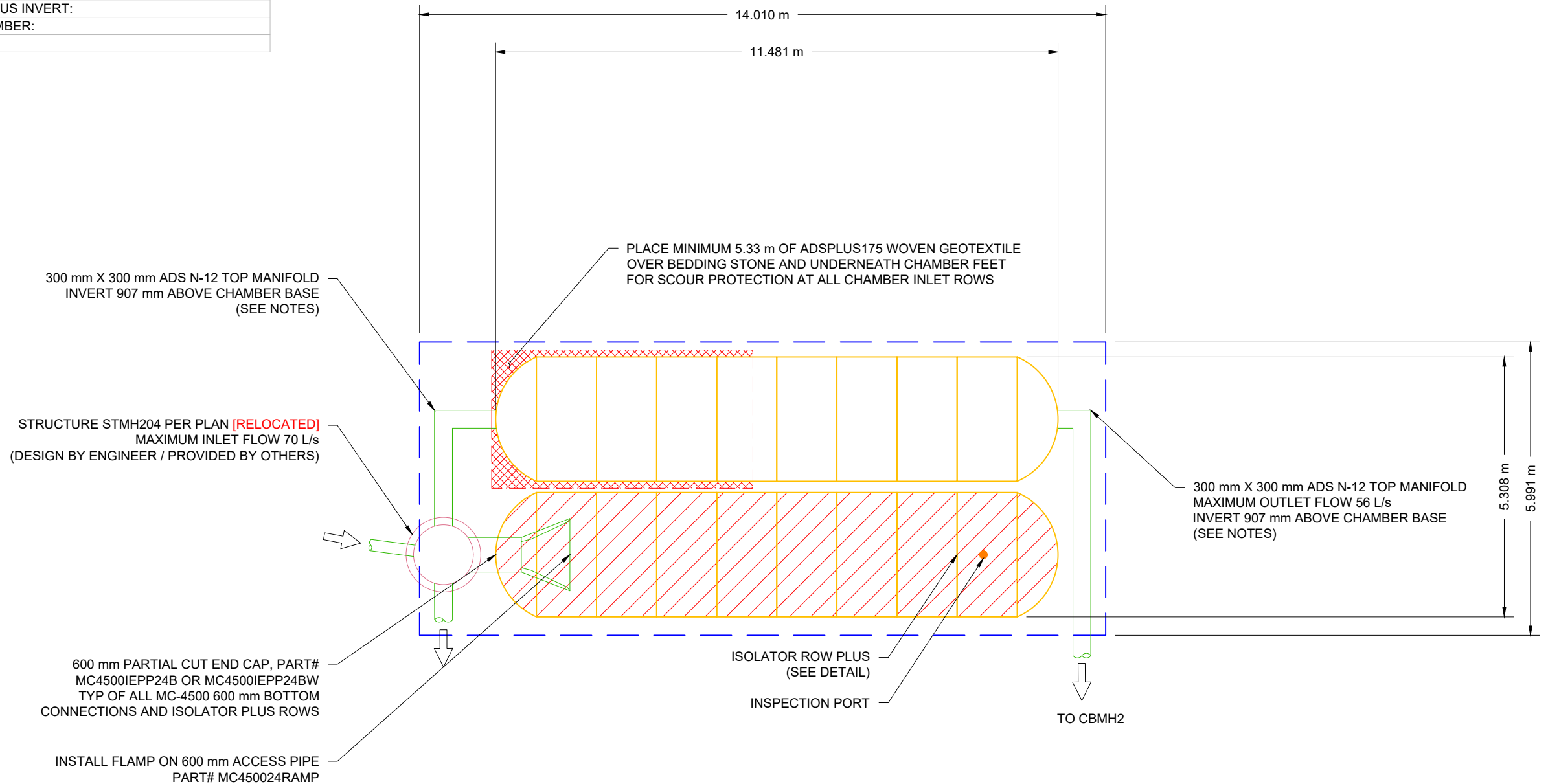
16	STORMTECH MC-4500 CHAMBERS
4	STORMTECH MC-4500 END CAPS
305	STONE ABOVE (mm)
229	STONE BELOW (mm)
40	% STONE VOID
38.5	INSTALLED SYSTEM VOLUME (m³) ABOVE ELEVATION 87.034 (PERIMETER STONE INCLUDED)
62.2	INSTALLED SYSTEM VOLUME (m³) BELOW ELEVATION 87.034 (PERIMETER STONE INCLUDED)
83.9	SYSTEM AREA (m²)
40.0	SYSTEM PERIMETER (m)

PROPOSED ELEVATIONS - BUILDING 2

89.787	MAXIMUM ALLOWABLE GRADE (TOP OF PAVEMENT/UNPAVED):
88.415	MINIMUM ALLOWABLE GRADE (UNPAVED WITH TRAFFIC):
88.263	MINIMUM ALLOWABLE GRADE (UNPAVED NO TRAFFIC):
88.263	MINIMUM ALLOWABLE GRADE (BASE OF FLEXIBLE PAVEMENT):
88.263	MINIMUM ALLOWABLE GRADE (TOP OF RIGID PAVEMENT):
87.958	TOP OF STONE:
87.653	TOP OF MC-4500 CHAMBER:
87.034	300 mm TOP MANIFOLD INVERT:
86.187	600 mm ISOLATOR ROW PLUS INVERT:
86.129	BOTTOM OF MC-4500 CHAMBER:
85.900	BOTTOM OF STONE:

NOTES

- MANIFOLD SIZE TO BE DETERMINED BY SITE DESIGN ENGINEER. SEE TECHNICAL NOTE 6.32 FOR MANIFOLD SIZING GUIDANCE.
- DUE TO THE ADAPTATION OF THIS CHAMBER SYSTEM TO SPECIFIC SITE AND DESIGN CONSTRAINTS, IT MAY BE NECESSARY TO CUT AND COUPLE ADDITIONAL PIPE TO STANDARD MANIFOLD COMPONENTS IN THE FIELD.
- THIS CHAMBER SYSTEM WAS DESIGNED WITHOUT SITE-SPECIFIC INFORMATION ON SOIL CONDITIONS OR BEARING CAPACITY. THE SITE DESIGN ENGINEER IS RESPONSIBLE FOR DETERMINING THE SUITABILITY OF THE SOIL AND PROVIDING THE BEARING CAPACITY OF THE INSITU SOILS. THE BASE STONE DEPTH MAY BE INCREASED OR DECREASED ONCE THIS INFORMATION IS PROVIDED.
- THE STORMTECH SYSTEM DEPICTED DOES NOT CONTAIN PROPER WATER QUALITY MEASURES. ABSENCE OF WATER QUALITY MEASURES CAN RESULT IN UNTREATED STORMWATER. ADS RECOMMENDS THE USE OF ISOLATOR ROW PLUS AND AN UPSTREAM HIGH FLOW BYPASS ON ALL STORMTECH SYSTEMS TO PROPERLY DIRECT THE FIRST FLUSH.



WATERIDGE APARTMENT BUILDINGS

OTTAWA, ON
DATE: 1-24-23
DRAWN: BRE
PROJECT #: S334624
CHECKED: RWD

DATE	DRWN	CHKD	DESCRIPTION
01/25/24	JR	JR	IR ADDED TO BUILDING 3 SYSTEM
12/12/23	JR	JR	BUILDING 3 SYSTEM REVISED PER MARK UP
02/06/23	RCT	RCT	REVISED PER NEW PLANS

StormTech®
Chamber System
888-892-2694 | WWW.STORMTECH.COM

ADS
4640 TRUEMAN BLVD
HILLIARD, OH 43026

SCALE = 1 : 100

THIS DRAWING HAS BEEN PREPARED BASED ON INFORMATION PROVIDED TO ADS UNDER THE DIRECTION OF THE SITE DESIGN ENGINEER OR OTHER PROJECT REPRESENTATIVE. THE SITE DESIGN ENGINEER SHALL REVIEW THIS DRAWING PRIOR TO CONSTRUCTION. IT IS THE ULTIMATE RESPONSIBILITY OF THE SITE DESIGN ENGINEER TO ENSURE THAT THE PRODUCT(S) DEPICTED AND ALL ASSOCIATED DETAILS MEET ALL APPLICABLE LAWS, REGULATIONS, AND PROJECT REQUIREMENTS.

PROPOSED LAYOUT - BUILDING 3

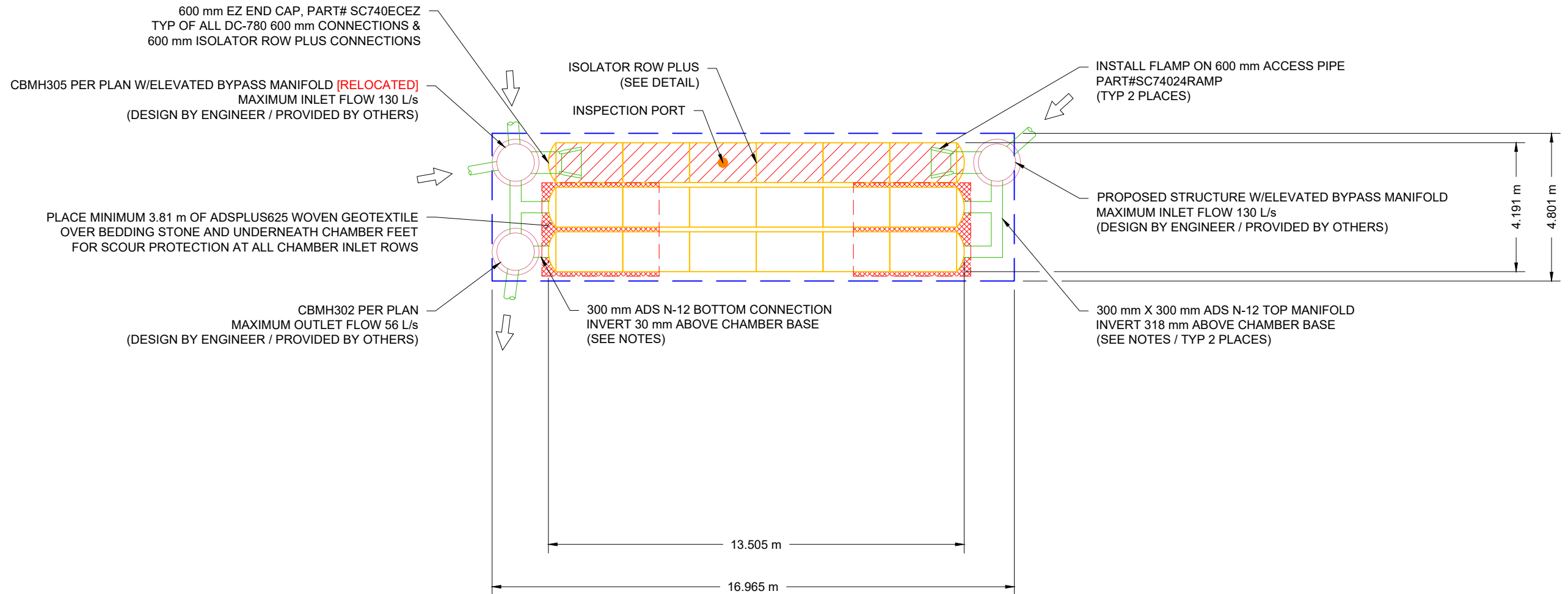
18	STORMTECH DC-780 CHAMBERS
6	STORMTECH DC-780 END CAPS
225	STONE ABOVE (mm)
560	STONE BELOW (mm)
40	% STONE VOID
26.0	INSTALLED SYSTEM VOLUME (m³) ABOVE ELEVATION 87.37 (PERIMETER STONE INCLUDED)
38.6	INSTALLED SYSTEM VOLUME (m³) BELOW ELEVATION 87.37 (PERIMETER STONE INCLUDED)
81.4	SYSTEM AREA (m²)
43.5	SYSTEM PERIMETER (m)

PROPOSED ELEVATIONS - BUILDING 3

91.440	MAXIMUM ALLOWABLE GRADE (TOP OF PAVEMENT/UNPAVED):
88.392	MINIMUM ALLOWABLE GRADE (UNPAVED WITH TRAFFIC):
88.239	MINIMUM ALLOWABLE GRADE (UNPAVED NO TRAFFIC):
88.239	MINIMUM ALLOWABLE GRADE (BASE OF FLEXIBLE PAVEMENT):
88.239	MINIMUM ALLOWABLE GRADE (TOP OF RIGID PAVEMENT):
88.007	TOP OF STONE:
87.782	TOP OF DC-780 CHAMBER:
87.338	300 mm TOP MANIFOLD INVERT:
87.050	300 mm BOTTOM CONNECTION INVERT:
87.023	600 mm ISOLATOR ROW PLUS INVERT:
87.020	BOTTOM OF DC-780 CHAMBER:
86.460	BOTTOM OF STONE:

NOTES

- MANIFOLD SIZE TO BE DETERMINED BY SITE DESIGN ENGINEER. SEE TECHNICAL NOTE 6.32 FOR MANIFOLD SIZING GUIDANCE.
- DUE TO THE ADAPTATION OF THIS CHAMBER SYSTEM TO SPECIFIC SITE AND DESIGN CONSTRAINTS, IT MAY BE NECESSARY TO CUT AND COUPLE ADDITIONAL PIPE TO STANDARD MANIFOLD COMPONENTS IN THE FIELD.
- THIS CHAMBER SYSTEM WAS DESIGNED WITHOUT SITE-SPECIFIC INFORMATION ON SOIL CONDITIONS OR BEARING CAPACITY. THE SITE DESIGN ENGINEER IS RESPONSIBLE FOR DETERMINING THE SUITABILITY OF THE SOIL AND PROVIDING THE BEARING CAPACITY OF THE INSITU SOILS. THE BASE STONE DEPTH MAY BE INCREASED OR DECREASED ONCE THIS INFORMATION IS PROVIDED.
- THE SITE DESIGN ENGINEER MUST REVIEW THE PROXIMITY OF THE CHAMBERS TO THE RETAINING WALL AND CONSIDER EFFECTS OF POSSIBLE SATURATED SOILS ON THE RETAINING WALL'S INTEGRITY.
- **ATTENTION:** THIS DRAWING IS NOT INTENDED FOR USE IN BIDDING OR CONSTRUCTION WITHOUT THE PRIOR APPROVAL OF THE PROJECT'S ENGINEER OF RECORD (EOR). AS WITH ALL PROPOSED ADS LAYOUTS, THE EOR SHOULD REVIEW AND APPROVE THIS DRAWING PRIOR TO USE IN BIDDING AND/OR CONSTRUCTION. IT IS THE ULTIMATE RESPONSIBILITY OF THE EOR TO ENSURE THAT THE PRODUCT(S) DEPICTED AND THE ASSOCIATED DETAILS MEET ALL APPLICABLE LAWS, REGULATIONS, AND PROJECT REQUIREMENTS.
- **NOT FOR CONSTRUCTION:** THIS LAYOUT IS FOR DIMENSIONAL PURPOSES ONLY TO PROVE CONCEPT & THE REQUIRED STORAGE VOLUME CAN BE ACHIEVED ON SITE.



WATERIDGE APARTMENT BUILDINGS	
OTTAWA, ON	
DATE: 1-24-23	DRAWN: BRE
PROJECT #: S334624	CHECKED: RWD

DATE	DRWN	CHKD	DESCRIPTION
01/25/24	JR	JR	IR ADDED TO BUILDING 3 SYSTEM
12/12/23	JR	JR	BUILDING 3 SYSTEM REVISED PER MARK UP
02/06/23	RCT	RCT	REVISED PER NEW PLANS

StormTech®
Chamber System
888-892-2694 | WWW.STORMTECH.COM

ADS 4640 TRUEMAN BLVD
HILLIARD, OH 43026

SCALE = 1 : 150

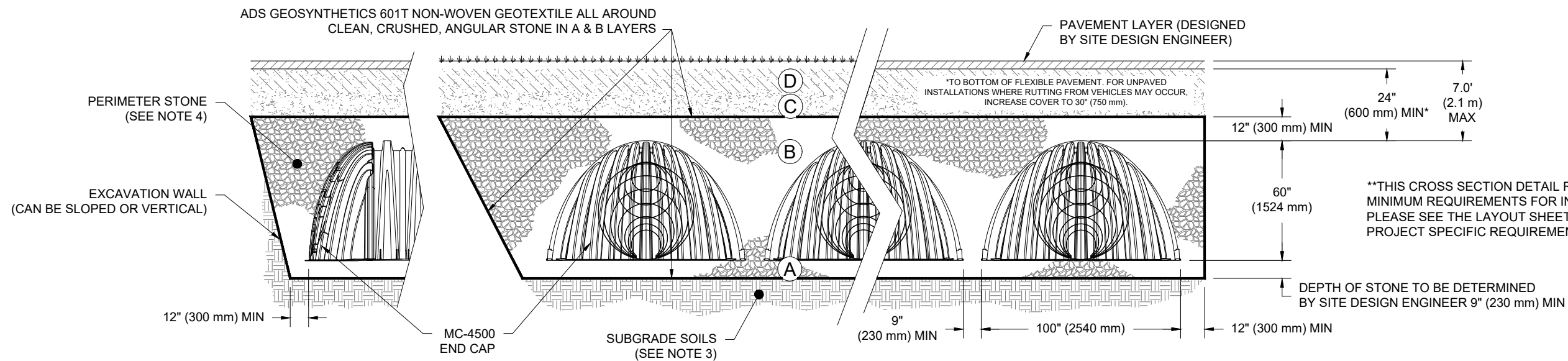
THIS DRAWING HAS BEEN PREPARED BASED ON INFORMATION PROVIDED TO ADS UNDER THE DIRECTION OF THE SITE DESIGN ENGINEER OR OTHER PROJECT REPRESENTATIVE. THE SITE DESIGN ENGINEER SHALL REVIEW THIS DRAWING PRIOR TO CONSTRUCTION. IT IS THE ULTIMATE RESPONSIBILITY OF THE SITE DESIGN ENGINEER TO ENSURE THAT THE PRODUCT(S) DEPICTED AND ALL ASSOCIATED DETAILS MEET ALL APPLICABLE LAWS, REGULATIONS, AND PROJECT REQUIREMENTS.

ACCEPTABLE FILL MATERIALS: STORMTECH MC-4500 CHAMBER SYSTEMS

MATERIAL LOCATION	DESCRIPTION	AASHTO MATERIAL CLASSIFICATIONS	COMPACTION / DENSITY REQUIREMENT
D	FINAL FILL: FILL MATERIAL FOR LAYER 'D' STARTS FROM THE TOP OF THE 'C' LAYER TO THE BOTTOM OF FLEXIBLE PAVEMENT OR UNPAVED FINISHED GRADE ABOVE. NOTE THAT PAVEMENT SUBBASE MAY BE PART OF THE 'D' LAYER	N/A	PREPARE PER SITE DESIGN ENGINEER'S PLANS. PAVED INSTALLATIONS MAY HAVE STRINGENT MATERIAL AND PREPARATION REQUIREMENTS.
C	INITIAL FILL: FILL MATERIAL FOR LAYER 'C' STARTS FROM THE TOP OF THE EMBEDMENT STONE ('B' LAYER) TO 24" (600 mm) ABOVE THE TOP OF THE CHAMBER. NOTE THAT PAVEMENT SUBBASE MAY BE A PART OF THE 'C' LAYER.	AASHTO M145 ¹ A-1, A-2-4, A-3 OR AASHTO M43 ¹ 3, 357, 4, 467, 5, 56, 57, 6, 67, 68, 7, 78, 8, 89, 9, 10	BEGIN COMPACTIONS AFTER 24" (600 mm) OF MATERIAL OVER THE CHAMBERS IS REACHED. COMPACT ADDITIONAL LAYERS IN 12" (300 mm) MAX LIFTS TO A MIN. 95% PROCTOR DENSITY FOR WELL GRADED MATERIAL AND 95% RELATIVE DENSITY FOR PROCESSED AGGREGATE MATERIALS.
B	EMBEDMENT STONE: FILL SURROUNDING THE CHAMBERS FROM THE FOUNDATION STONE ('A' LAYER) TO THE 'C' LAYER ABOVE.	AASHTO M43 ¹ 3, 4	NO COMPACTION REQUIRED.
A	FOUNDATION STONE: FILL BELOW CHAMBERS FROM THE SUBGRADE UP TO THE FOOT (BOTTOM) OF THE CHAMBER.	AASHTO M43 ¹ 3, 4	PLATE COMPACT OR ROLL TO ACHIEVE A FLAT SURFACE. ^{2,3}

PLEASE NOTE:

- THE LISTED AASHTO DESIGNATIONS ARE FOR GRADATIONS ONLY. THE STONE MUST ALSO BE CLEAN, CRUSHED, ANGULAR. FOR EXAMPLE, A SPECIFICATION FOR #4 STONE WOULD STATE: "CLEAN, CRUSHED, ANGULAR NO. 4 (AASHTO M43) STONE".
- STORMTECH COMPACTION REQUIREMENTS ARE MET FOR 'A' LOCATION MATERIALS WHEN PLACED AND COMPACTED IN 9" (230 mm) (MAX) LIFTS USING TWO FULL COVERAGES WITH A VIBRATORY COMPACTOR.
- WHERE INFILTRATION SURFACES MAY BE COMPROMISED BY COMPACTION, FOR STANDARD DESIGN LOAD CONDITIONS, A FLAT SURFACE MAY BE ACHIEVED BY RAKING OR DRAGGING WITHOUT COMPACTION EQUIPMENT. FOR SPECIAL LOAD DESIGNS, CONTACT STORMTECH FOR COMPACTION REQUIREMENTS.
- ONCE LAYER 'C' IS PLACED, ANY SOIL/MATERIAL CAN BE PLACED IN LAYER 'D' UP TO THE FINISHED GRADE. MOST PAVEMENT SUBBASE SOILS CAN BE USED TO REPLACE THE MATERIAL REQUIREMENTS OF LAYER 'C' OR 'D' AT THE SITE DESIGN ENGINEER'S DISCRETION.



NOTES:

- CHAMBERS SHALL MEET THE REQUIREMENTS OF ASTM F2418, "STANDARD SPECIFICATION FOR POLYPROPYLENE (PP) CORRUGATED WALL STORMWATER COLLECTION CHAMBERS" CHAMBER CLASSIFICATION 60x101
- MC-4500 CHAMBERS SHALL BE DESIGNED IN ACCORDANCE WITH ASTM F2787 "STANDARD PRACTICE FOR STRUCTURAL DESIGN OF THERMOPLASTIC CORRUGATED WALL STORMWATER COLLECTION CHAMBERS".
- THE SITE DESIGN ENGINEER IS RESPONSIBLE FOR ASSESSING THE BEARING RESISTANCE (ALLOWABLE BEARING CAPACITY) OF THE SUBGRADE SOILS AND THE DEPTH OF FOUNDATION STONE WITH CONSIDERATION FOR THE RANGE OF EXPECTED SOIL MOISTURE CONDITIONS.
- PERIMETER STONE MUST BE EXTENDED HORIZONTALLY TO THE EXCAVATION WALL FOR BOTH VERTICAL AND SLOPED EXCAVATION WALLS.
- REQUIREMENTS FOR HANDLING AND INSTALLATION:
 - TO MAINTAIN THE WIDTH OF CHAMBERS DURING SHIPPING AND HANDLING, CHAMBERS SHALL HAVE INTEGRAL, INTERLOCKING STACKING LUGS.
 - TO ENSURE A SECURE JOINT DURING INSTALLATION AND BACKFILL, THE HEIGHT OF THE CHAMBER JOINT SHALL NOT BE LESS THAN 3".
 - TO ENSURE THE INTEGRITY OF THE ARCH SHAPE DURING INSTALLATION, a) THE ARCH STIFFNESS CONSTANT AS DEFINED IN SECTION 6.2.8 OF ASTM F2418 SHALL BE GREATER THAN OR EQUAL TO 500 LBS/FT.%. AND b) TO RESIST CHAMBER DEFORMATION DURING INSTALLATION AT ELEVATED TEMPERATURES (ABOVE 73° F / 23° C), CHAMBERS SHALL BE PRODUCED FROM REFLECTIVE GOLD OR YELLOW COLORS.

WATERIDGE APARTMENT BUILDINGS
 OTTAWA, ON
 DATE: 1-24-23
 PROJECT #: S334624
 DRAWN: BRE
 CHECKED: RWD

DATE	DESCRIPTION
01/25/24	IR ADDED TO BUILDING 3 SYSTEM
12/12/23	JR BUILDING 3 SYSTEM REVISED PER MARK UP
02/06/23	JR RCT REVISED PER NEW PLANS
	RCT DRWN CHKD

StormTech®
 Chamber System
 888-892-2694 | WWW.STORMTECH.COM

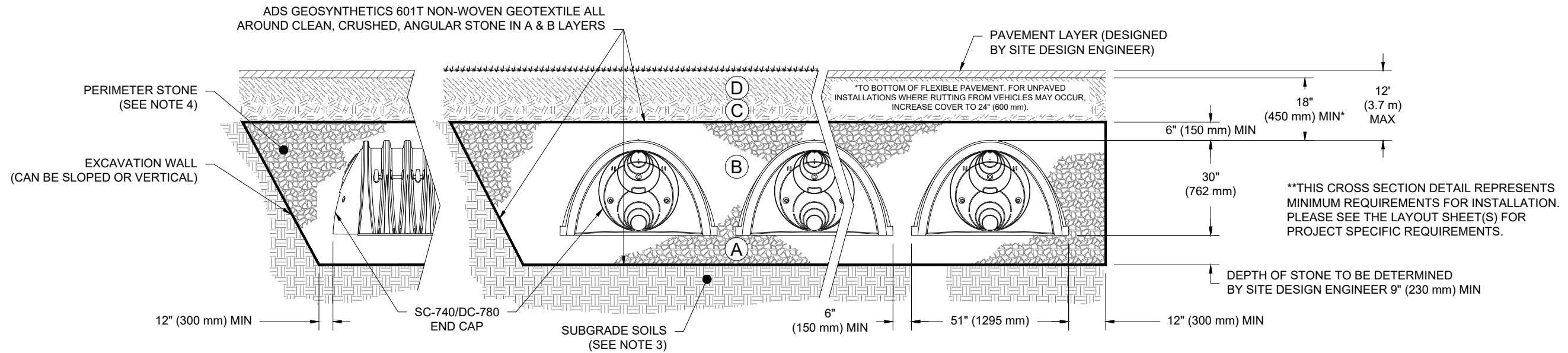
4640 TRUEJMAN BLVD
 HILLIARD, OH 43026
ADS
 THIS DRAWING HAS BEEN PREPARED BASED ON INFORMATION PROVIDED TO ADS UNDER THE DIRECTION OF THE SITE DESIGN ENGINEER OR OTHER PROJECT REPRESENTATIVE. THE SITE DESIGN ENGINEER SHALL REVIEW THIS DRAWING PRIOR TO CONSTRUCTION. IT IS THE ULTIMATE RESPONSIBILITY OF THE SITE DESIGN ENGINEER TO ENSURE THAT THE PRODUCT(S) DEPICTED AND ALL ASSOCIATED DETAILS MEET ALL APPLICABLE LAWS, REGULATIONS, AND PROJECT REQUIREMENTS.

ACCEPTABLE FILL MATERIALS: STORMTECH DC-780 CHAMBER SYSTEMS

MATERIAL LOCATION		DESCRIPTION	AASHTO MATERIAL CLASSIFICATIONS	COMPACTION / DENSITY REQUIREMENT
D	FINAL FILL: FILL MATERIAL FOR LAYER 'D' STARTS FROM THE TOP OF THE 'C' LAYER TO THE BOTTOM OF FLEXIBLE PAVEMENT OR UNPAVED FINISHED GRADE ABOVE. NOTE THAT PAVEMENT SUBBASE MAY BE PART OF THE 'D' LAYER	ANY SOIL/ROCK MATERIALS, NATIVE SOILS, OR PER ENGINEER'S PLANS. CHECK PLANS FOR PAVEMENT SUBGRADE REQUIREMENTS.	N/A	PREPARE PER SITE DESIGN ENGINEER'S PLANS. PAVED INSTALLATIONS MAY HAVE STRINGENT MATERIAL AND PREPARATION REQUIREMENTS.
C	INITIAL FILL: FILL MATERIAL FOR LAYER 'C' STARTS FROM THE TOP OF THE EMBEDMENT STONE ('B' LAYER) TO 18" (450 mm) ABOVE THE TOP OF THE CHAMBER. NOTE THAT PAVEMENT SUBBASE MAY BE A PART OF THE 'C' LAYER.	GRANULAR WELL-GRADED SOIL/AGGREGATE MIXTURES, <35% FINES OR PROCESSED AGGREGATE. MOST PAVEMENT SUBBASE MATERIALS CAN BE USED IN LIEU OF THIS LAYER.	AASHTO M145 ¹ A-1, A-2-4, A-3 OR AASHTO M43 ¹ 3, 357, 4, 467, 5, 56, 57, 6, 67, 68, 7, 78, 8, 89, 9, 10	BEGIN COMPACTIONS AFTER 12" (300 mm) OF MATERIAL OVER THE CHAMBERS IS REACHED. COMPACT ADDITIONAL LAYERS IN 6" (150 mm) MAX LIFTS TO A MIN. 95% PROCTOR DENSITY FOR WELL GRADED MATERIAL AND 95% RELATIVE DENSITY FOR PROCESSED AGGREGATE MATERIALS. ROLLER GROSS VEHICLE WEIGHT NOT TO EXCEED 12,000 lbs (53 kN). DYNAMIC FORCE NOT TO EXCEED 20,000 lbs (89 kN).
B	EMBEDMENT STONE: FILL SURROUNDING THE CHAMBERS FROM THE FOUNDATION STONE ('A' LAYER) TO THE 'C' LAYER ABOVE.	CLEAN, CRUSHED, ANGULAR STONE	AASHTO M43 ¹ 3, 357, 4, 467, 5, 56, 57	NO COMPACTION REQUIRED.
A	FOUNDATION STONE: FILL BELOW CHAMBERS FROM THE SUBGRADE UP TO THE FOOT (BOTTOM) OF THE CHAMBER.	CLEAN, CRUSHED, ANGULAR STONE	AASHTO M43 ¹ 3, 357, 4, 467, 5, 56, 57	PLATE COMPACT OR ROLL TO ACHIEVE A FLAT SURFACE. ^{2,3}

PLEASE NOTE:

- THE LISTED AASHTO DESIGNATIONS ARE FOR GRADATIONS ONLY. THE STONE MUST ALSO BE CLEAN, CRUSHED, ANGULAR. FOR EXAMPLE, A SPECIFICATION FOR #4 STONE WOULD STATE: "CLEAN, CRUSHED, ANGULAR NO. 4 (AASHTO M43) STONE".
- STORMTECH COMPACTION REQUIREMENTS ARE MET FOR 'A' LOCATION MATERIALS WHEN PLACED AND COMPACTED IN 9" (230 mm) (MAX) LIFTS USING TWO FULL COVERAGES WITH A VIBRATORY COMPACTOR.
- WHERE INFILTRATION SURFACES MAY BE COMPROMISED BY COMPACTION, FOR STANDARD DESIGN LOAD CONDITIONS, A FLAT SURFACE MAY BE ACHIEVED BY RAKING OR DRAGGING WITHOUT COMPACTION EQUIPMENT. FOR SPECIAL LOAD DESIGNS, CONTACT STORMTECH FOR COMPACTION REQUIREMENTS.
- ONCE LAYER 'C' IS PLACED, ANY SOIL/MATERIAL CAN BE PLACED IN LAYER 'D' UP TO THE FINISHED GRADE. MOST PAVEMENT SUBBASE SOILS CAN BE USED TO REPLACE THE MATERIAL REQUIREMENTS OF LAYER 'C' OR 'D' AT THE SITE DESIGN ENGINEER'S DISCRETION.



NOTES:

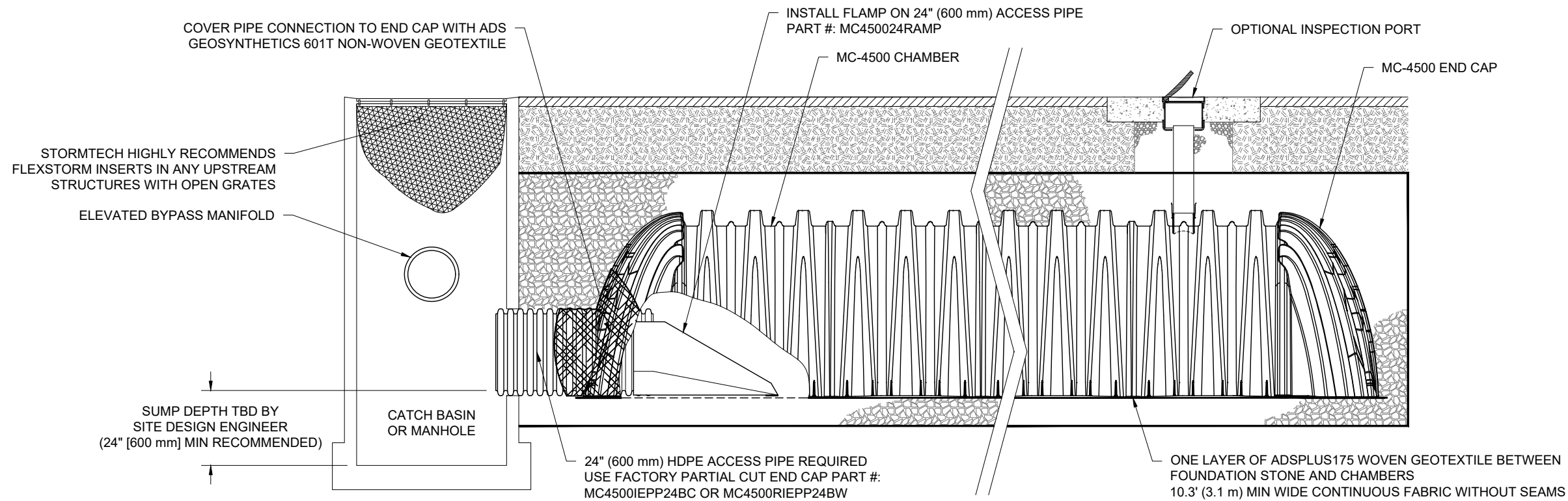
- CHAMBERS SHALL MEET THE REQUIREMENTS OF ASTM F2418, "STANDARD SPECIFICATION FOR POLYPROPYLENE (PP) CORRUGATED WALL STORMWATER COLLECTION CHAMBERS".
- DC-780 CHAMBERS SHALL BE DESIGNED IN ACCORDANCE WITH ASTM F2787 "STANDARD PRACTICE FOR STRUCTURAL DESIGN OF THERMOPLASTIC CORRUGATED WALL STORMWATER COLLECTION CHAMBERS".
- THE SITE DESIGN ENGINEER IS RESPONSIBLE FOR ASSESSING THE BEARING RESISTANCE (ALLOWABLE BEARING CAPACITY) OF THE SUBGRADE SOILS AND THE DEPTH OF FOUNDATION STONE WITH CONSIDERATION FOR THE RANGE OF EXPECTED SOIL MOISTURE CONDITIONS.
- PERIMETER STONE MUST BE EXTENDED HORIZONTALLY TO THE EXCAVATION WALL FOR BOTH VERTICAL AND SLOPED EXCAVATION WALLS.
- REQUIREMENTS FOR HANDLING AND INSTALLATION:
 - TO MAINTAIN THE WIDTH OF CHAMBERS DURING SHIPPING AND HANDLING, CHAMBERS SHALL HAVE INTEGRAL, INTERLOCKING STACKING LUGS.
 - TO ENSURE A SECURE JOINT DURING INSTALLATION AND BACKFILL, THE HEIGHT OF THE CHAMBER JOINT SHALL NOT BE LESS THAN 2".
 - TO ENSURE THE INTEGRITY OF THE ARCH SHAPE DURING INSTALLATION, a) THE ARCH STIFFNESS CONSTANT AS DEFINED IN SECTION 6.2.8 OF ASTM F2418 SHALL BE GREATER THAN OR EQUAL TO 550 LBS/FT%. AND b) TO RESIST CHAMBER DEFORMATION DURING INSTALLATION AT ELEVATED TEMPERATURES (ABOVE 73° F / 23° C), CHAMBERS SHALL BE PRODUCED FROM REFLECTIVE GOLD OR YELLOW COLORS.

WATERIDGE APARTMENT BUILDINGS
 OTTAWA, ON
 DATE: 1-24-23
 DRAWN: BRE
 PROJECT #: S334624
 CHECKED: RWD

DATE	DESCRIPTION
01/25/24	JR IR ADDED TO BUILDING 3 SYSTEM
12/12/23	JR BUILDING 3 SYSTEM REVISED PER MARK UP
02/06/23	RCT REVISED PER NEW PLANS
	DRWN CHKD

StormTech®
 Chamber System
 888-892-2694 | WWW.STORMTECH.COM

4640 TRUEMAN BLVD
 HILLIARD, OH 43026
ADS
 THIS DRAWING HAS BEEN PREPARED BASED ON INFORMATION PROVIDED TO ADS UNDER THE DIRECTION OF THE SITE DESIGN ENGINEER OR OTHER PROJECT REPRESENTATIVE. THE SITE DESIGN ENGINEER SHALL REVIEW THIS DRAWING PRIOR TO CONSTRUCTION. IT IS THE ULTIMATE RESPONSIBILITY OF THE SITE DESIGN ENGINEER TO ENSURE THAT THE PRODUCT(S) DEPICTED AND ALL ASSOCIATED DETAILS MEET ALL APPLICABLE LAWS, REGULATIONS, AND PROJECT REQUIREMENTS.



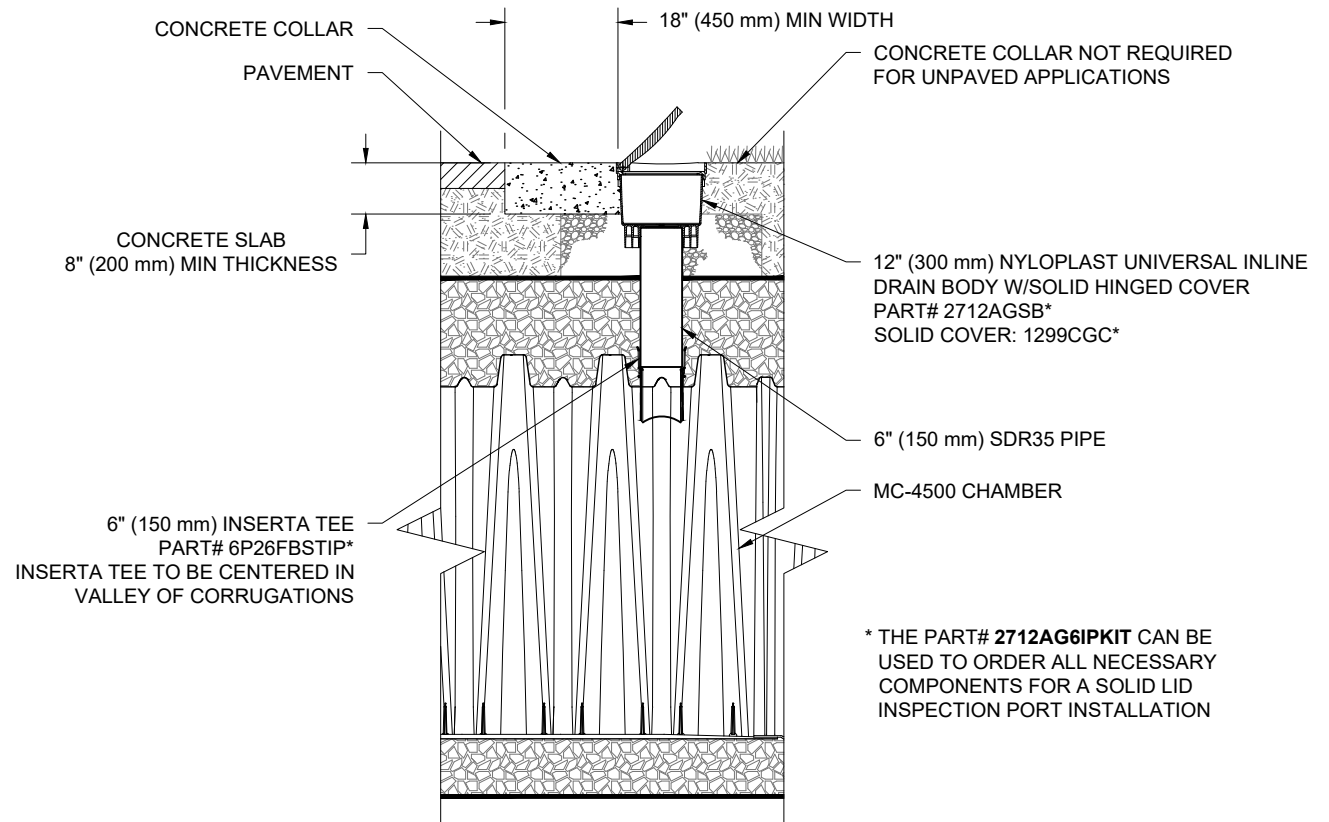
MC-4500 ISOLATOR ROW PLUS DETAIL
NTS

INSPECTION & MAINTENANCE

- STEP 1) INSPECT ISOLATOR ROW PLUS FOR SEDIMENT
- A. INSPECTION PORTS (IF PRESENT)
 - A.1. REMOVE/OPEN LID ON NYLOPLAST INLINE DRAIN
 - A.2. REMOVE AND CLEAN FLEXSTORM FILTER IF INSTALLED
 - A.3. USING A FLASHLIGHT AND STADIA ROD, MEASURE DEPTH OF SEDIMENT AND RECORD ON MAINTENANCE LOG
 - A.4. LOWER A CAMERA INTO ISOLATOR ROW PLUS FOR VISUAL INSPECTION OF SEDIMENT LEVELS (OPTIONAL)
 - A.5. IF SEDIMENT IS AT, OR ABOVE, 3" (80 mm) PROCEED TO STEP 2. IF NOT, PROCEED TO STEP 3.
 - B. ALL ISOLATOR PLUS ROWS
 - B.1. REMOVE COVER FROM STRUCTURE AT UPSTREAM END OF ISOLATOR ROW PLUS
 - B.2. USING A FLASHLIGHT, INSPECT DOWN THE ISOLATOR ROW PLUS THROUGH OUTLET PIPE
 - i) MIRRORS ON POLES OR CAMERAS MAY BE USED TO AVOID A CONFINED SPACE ENTRY
 - ii) FOLLOW OSHA REGULATIONS FOR CONFINED SPACE ENTRY IF ENTERING MANHOLE
 - B.3. IF SEDIMENT IS AT, OR ABOVE, 3" (80 mm) PROCEED TO STEP 2. IF NOT, PROCEED TO STEP 3.
- STEP 2) CLEAN OUT ISOLATOR ROW PLUS USING THE JETVAC PROCESS
- A. A FIXED CULVERT CLEANING NOZZLE WITH REAR FACING SPREAD OF 45" (1.1 m) OR MORE IS PREFERRED
 - B. APPLY MULTIPLE PASSES OF JETVAC UNTIL BACKFLUSH WATER IS CLEAN
 - C. VACUUM STRUCTURE SUMP AS REQUIRED
- STEP 3) REPLACE ALL COVERS, GRATES, FILTERS, AND LIDS; RECORD OBSERVATIONS AND ACTIONS.
- STEP 4) INSPECT AND CLEAN BASINS AND MANHOLES UPSTREAM OF THE STORMTECH SYSTEM.

NOTES

1. INSPECT EVERY 6 MONTHS DURING THE FIRST YEAR OF OPERATION. ADJUST THE INSPECTION INTERVAL BASED ON PREVIOUS OBSERVATIONS OF SEDIMENT ACCUMULATION AND HIGH WATER ELEVATIONS.
2. CONDUCT JETTING AND VACTORING ANNUALLY OR WHEN INSPECTION SHOWS THAT MAINTENANCE IS NECESSARY.



MC-4500 6" (150 mm) INSPECTION PORT DETAIL
NTS

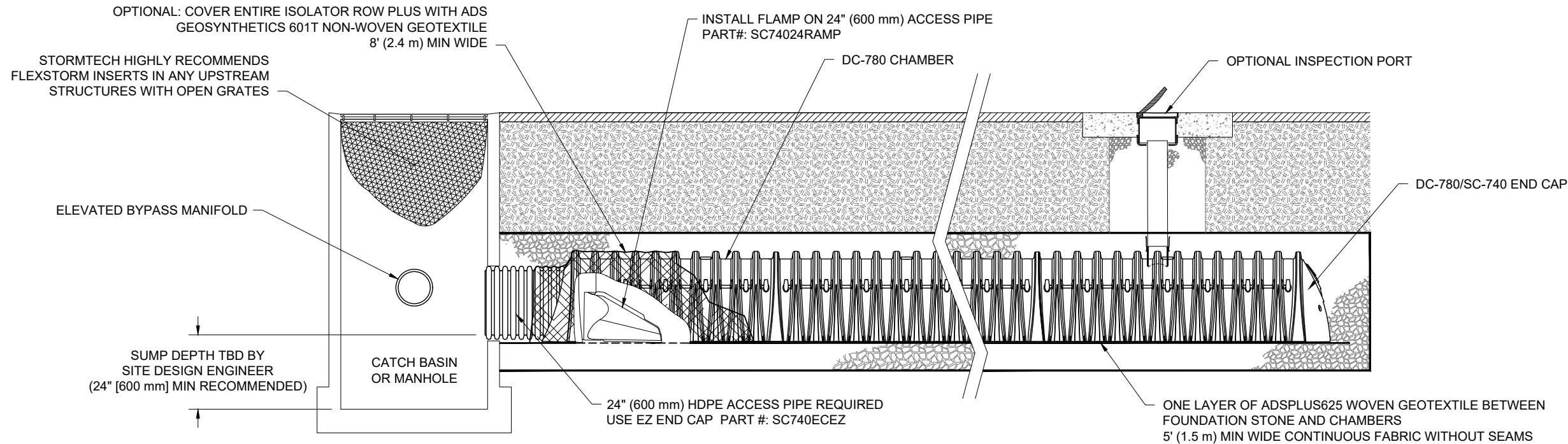
WATERIDGE APARTMENT BUILDINGS	
OTTAWA, ON	BRE
DATE: 1-24-23	DRAWN: BRE
PROJECT #: S334624	CHECKED: RWD

DATE	DRWN	CHKD	DESCRIPTION
01/25/24	JR	JR	IR ADDED TO BUILDING 3 SYSTEM
12/12/23	JR	JR	BUILDING 3 SYSTEM REVISED PER MARK UP
02/06/23	RCT	RCT	REVISED PER NEW PLANS

StormTech®
Chamber System
888-892-2694 | WWW.STORMTECH.COM

ADS
4640 TRUEMAN BLVD
HILLIARD, OH 43026

THIS DRAWING HAS BEEN PREPARED BASED ON INFORMATION PROVIDED TO ADS UNDER THE DIRECTION OF THE SITE DESIGN ENGINEER OR OTHER PROJECT REPRESENTATIVE. THE SITE DESIGN ENGINEER SHALL REVIEW THIS DRAWING PRIOR TO CONSTRUCTION. IT IS THE ULTIMATE RESPONSIBILITY OF THE SITE DESIGN ENGINEER TO ENSURE THAT THE PRODUCT(S) DEPICTED AND ALL ASSOCIATED DETAILS MEET ALL APPLICABLE LAWS, REGULATIONS, AND PROJECT REQUIREMENTS.



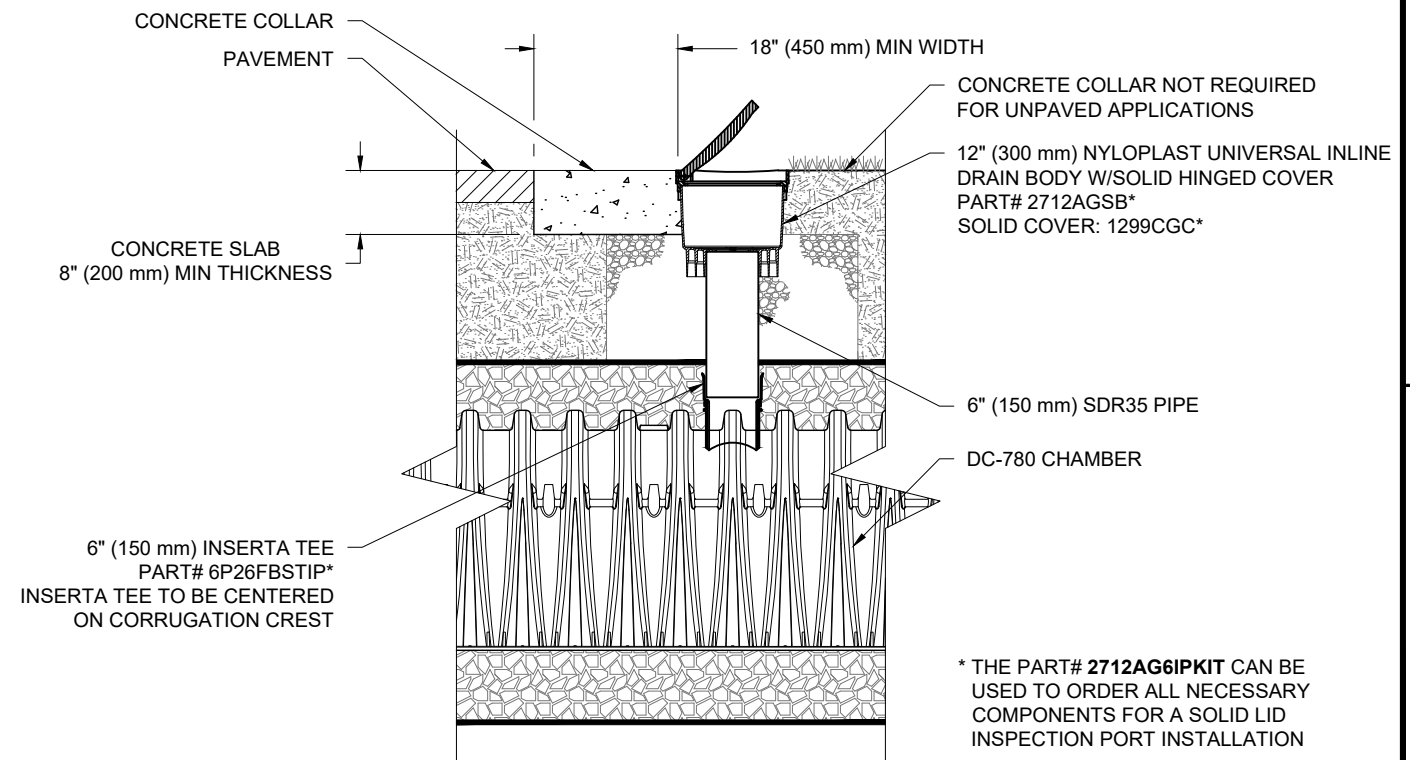
DC-780 ISOLATOR ROW PLUS DETAIL
NTS

INSPECTION & MAINTENANCE

- STEP 1) INSPECT ISOLATOR ROW PLUS FOR SEDIMENT
- A. INSPECTION PORTS (IF PRESENT)
 - A.1. REMOVE/OPEN LID ON NYLOPLAST INLINE DRAIN
 - A.2. REMOVE AND CLEAN FLEXSTORM FILTER IF INSTALLED
 - A.3. USING A FLASHLIGHT AND STADIA ROD, MEASURE DEPTH OF SEDIMENT AND RECORD ON MAINTENANCE LOG
 - A.4. LOWER A CAMERA INTO ISOLATOR ROW PLUS FOR VISUAL INSPECTION OF SEDIMENT LEVELS (OPTIONAL)
 - A.5. IF SEDIMENT IS AT, OR ABOVE, 3" (80 mm) PROCEED TO STEP 2. IF NOT, PROCEED TO STEP 3.
 - B. ALL ISOLATOR PLUS ROWS
 - B.1. REMOVE COVER FROM STRUCTURE AT UPSTREAM END OF ISOLATOR ROW PLUS
 - B.2. USING A FLASHLIGHT, INSPECT DOWN THE ISOLATOR ROW PLUS THROUGH OUTLET PIPE
 - i) MIRRORS ON POLES OR CAMERAS MAY BE USED TO AVOID A CONFINED SPACE ENTRY
 - ii) FOLLOW OSHA REGULATIONS FOR CONFINED SPACE ENTRY IF ENTERING MANHOLE
 - B.3. IF SEDIMENT IS AT, OR ABOVE, 3" (80 mm) PROCEED TO STEP 2. IF NOT, PROCEED TO STEP 3.
- STEP 2) CLEAN OUT ISOLATOR ROW PLUS USING THE JETVAC PROCESS
- A. A FIXED CULVERT CLEANING NOZZLE WITH REAR FACING SPREAD OF 45" (1.1 m) OR MORE IS PREFERRED
 - B. APPLY MULTIPLE PASSES OF JETVAC UNTIL BACKFLUSH WATER IS CLEAN
 - C. VACUUM STRUCTURE SUMP AS REQUIRED
- STEP 3) REPLACE ALL COVERS, GRATES, FILTERS, AND LIDS; RECORD OBSERVATIONS AND ACTIONS.
- STEP 4) INSPECT AND CLEAN BASINS AND MANHOLES UPSTREAM OF THE STORMTECH SYSTEM.

NOTES

1. INSPECT EVERY 6 MONTHS DURING THE FIRST YEAR OF OPERATION. ADJUST THE INSPECTION INTERVAL BASED ON PREVIOUS OBSERVATIONS OF SEDIMENT ACCUMULATION AND HIGH WATER ELEVATIONS.
2. CONDUCT JETTING AND VACTORING ANNUALLY OR WHEN INSPECTION SHOWS THAT MAINTENANCE IS NECESSARY.



DC-780 6" (150 mm) INSPECTION PORT DETAIL
NTS

WATERIDGE APARTMENT BUILDINGS

OTTAWA, ON

DATE: 1-24-23 DRAWN: BRE

PROJECT #: S334624 CHECKED: RWD

DATE	DRWN	CHKD	DESCRIPTION
01/25/24	JR	JR	IR ADDED TO BUILDING 3 SYSTEM
12/12/23	JR	JR	BUILDING 3 SYSTEM REVISED PER MARK UP
02/06/23	RCT	RCT	REVISED PER NEW PLANS

StormTech®
Chamber System
888-892-2694 | WWW.STORMTECH.COM

4640 TRUEJMAN BLVD
HILLIARD, OH 43026

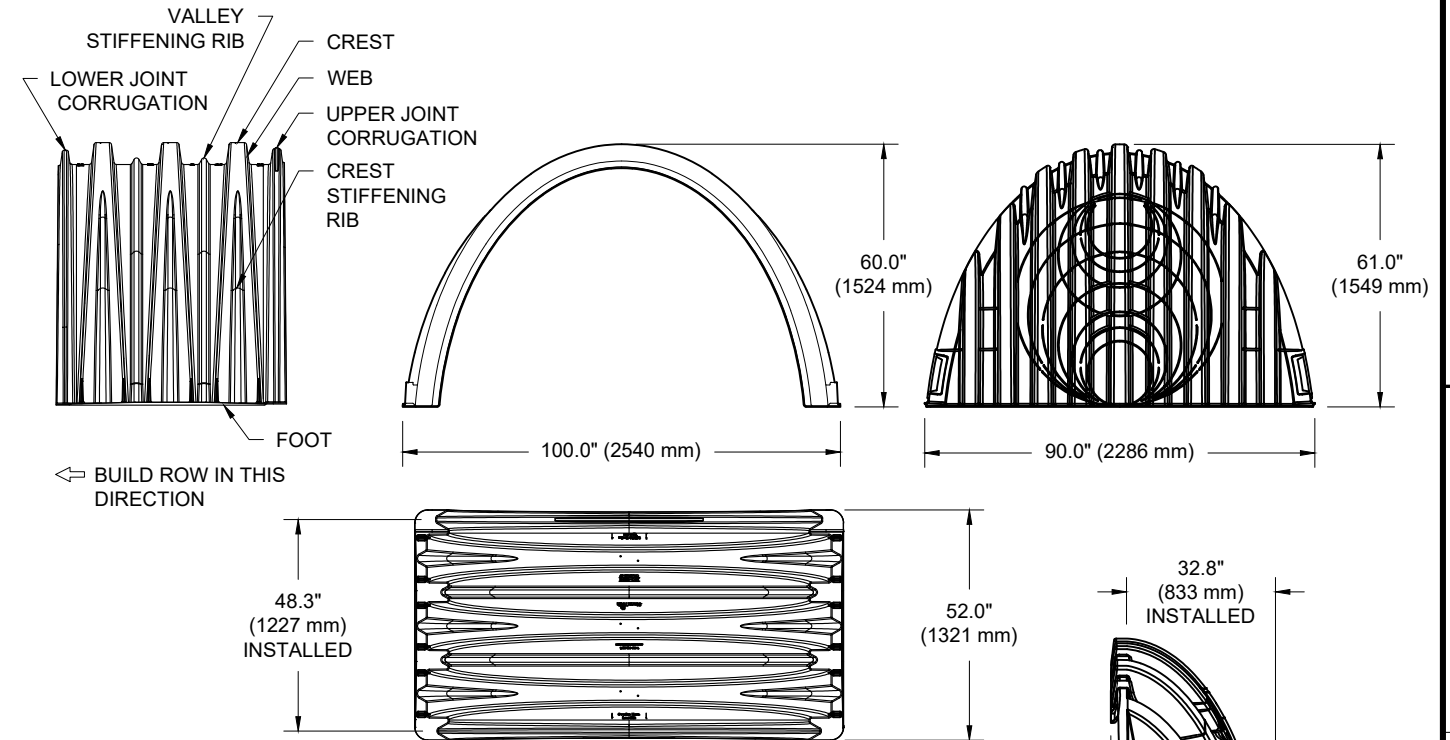
ADS

THIS DRAWING HAS BEEN PREPARED BASED ON INFORMATION PROVIDED TO ADS UNDER THE DIRECTION OF THE SITE DESIGN ENGINEER OR OTHER PROJECT REPRESENTATIVE. THE SITE DESIGN ENGINEER SHALL REVIEW THIS DRAWING PRIOR TO CONSTRUCTION. IT IS THE ULTIMATE RESPONSIBILITY OF THE SITE DESIGN ENGINEER TO ENSURE THAT THE PRODUCT(S) DEPICTED AND ALL ASSOCIATED DETAILS MEET ALL APPLICABLE LAWS, REGULATIONS, AND PROJECT REQUIREMENTS.

9 SHEET
OF 11

MC-4500 TECHNICAL SPECIFICATION

NTS



NOMINAL CHAMBER SPECIFICATIONS

SIZE (W X H X INSTALLED LENGTH)	100.0" X 60.0" X 48.3"	(2540 mm X 1524 mm X 1227 mm)
CHAMBER STORAGE	106.5 CUBIC FEET	(3.01 m ³)
MINIMUM INSTALLED STORAGE*	162.6 CUBIC FEET	(4.60 m ³)
WEIGHT (NOMINAL)	125.0 lbs.	(56.7 kg)

NOMINAL END CAP SPECIFICATIONS

SIZE (W X H X INSTALLED LENGTH)	90.0" X 61.0" X 32.8"	(2286 mm X 1549 mm X 833 mm)
END CAP STORAGE	39.5 CUBIC FEET	(1.12 m ³)
MINIMUM INSTALLED STORAGE*	115.3 CUBIC FEET	(3.26 m ³)
WEIGHT (NOMINAL)	90 lbs.	(40.8 kg)

*ASSUMES 12" (305 mm) STONE ABOVE, 9" (229 mm) STONE FOUNDATION AND BETWEEN CHAMBERS, 12" (305 mm) STONE PERIMETER IN FRONT OF END CAPS AND 40% STONE POROSITY.

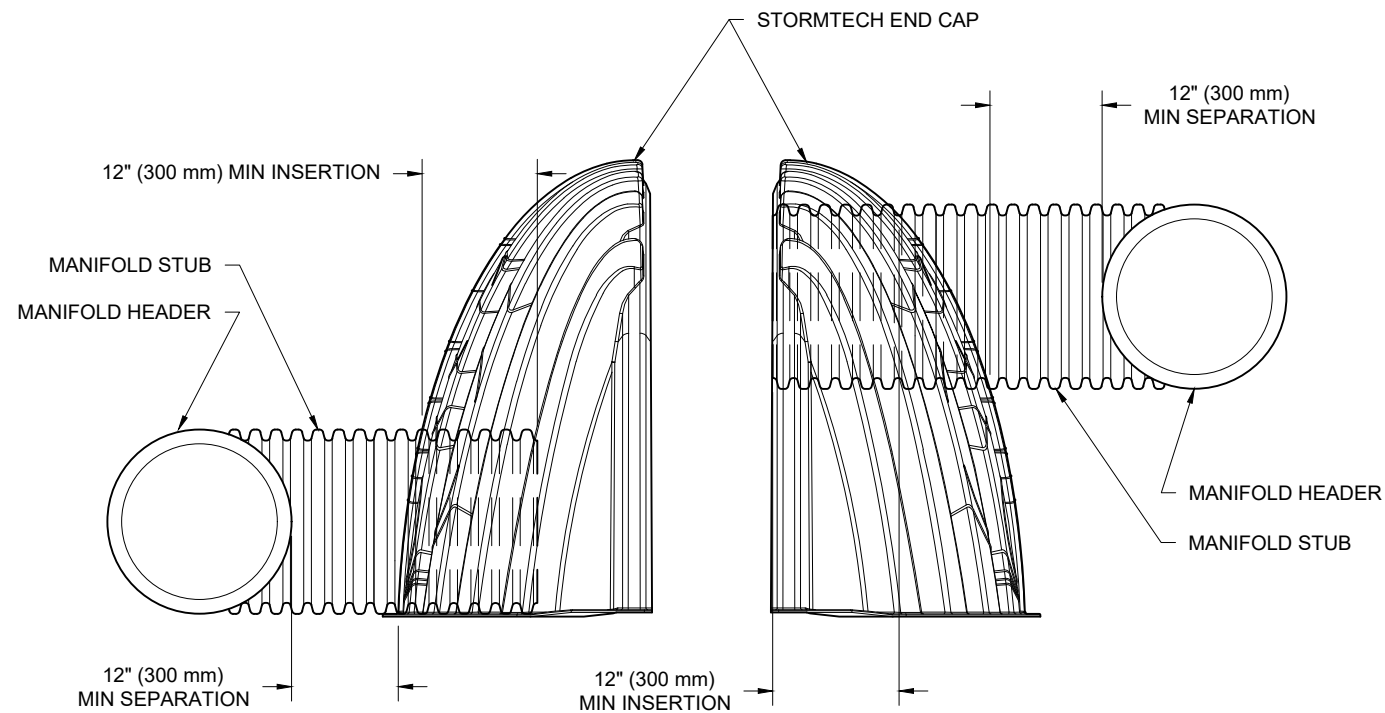
PARTIAL CUT HOLES AT BOTTOM OF END CAP FOR PART NUMBERS ENDING WITH "B"
 PARTIAL CUT HOLES AT TOP OF END CAP FOR PART NUMBERS ENDING WITH "T"
 END CAPS WITH A PREFABRICATED WELDED STUB END WITH "W"

PART #	STUB	B	C
MC4500IEPP06T	6" (150 mm)	42.54" (1081 mm)	---
MC4500IEPP06B	---	---	0.86" (22 mm)
MC4500IEPP08T	8" (200 mm)	40.50" (1029 mm)	---
MC4500IEPP08B	---	---	1.01" (26 mm)
MC4500IEPP10T	10" (250 mm)	38.37" (975 mm)	---
MC4500IEPP10B	---	---	1.33" (34 mm)
MC4500IEPP12T	12" (300 mm)	35.69" (907 mm)	---
MC4500IEPP12B	---	---	1.55" (39 mm)
MC4500IEPP15T	15" (375 mm)	32.72" (831 mm)	---
MC4500IEPP15B	---	---	1.70" (43 mm)
MC4500IEPP18T	---	29.36" (746 mm)	---
MC4500IEPP18TW	18" (450 mm)	---	---
MC4500IEPP18B	---	---	1.97" (50 mm)
MC4500IEPP18BW	---	---	---
MC4500IEPP24T	---	23.05" (585 mm)	---
MC4500IEPP24TW	24" (600 mm)	---	---
MC4500IEPP24B	---	---	2.26" (57 mm)
MC4500IEPP24BW	---	---	---
MC4500IEPP30BW	30" (750 mm)	---	2.95" (75 mm)
MC4500IEPP36BW	36" (900 mm)	---	3.25" (83 mm)
MC4500IEPP42BW	42" (1050 mm)	---	3.55" (90 mm)

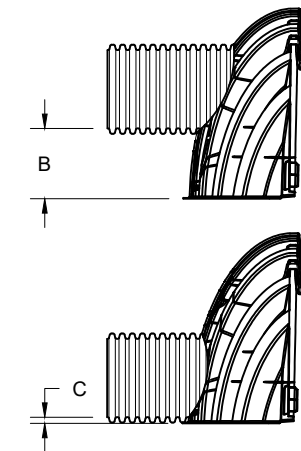
NOTE: ALL DIMENSIONS ARE NOMINAL

MC-SERIES END CAP INSERTION DETAIL

NTS



NOTE: MANIFOLD STUB MUST BE LAID HORIZONTAL FOR A PROPER FIT IN END CAP OPENING.



CUSTOM PREFABRICATED INVERTS ARE AVAILABLE UPON REQUEST. INVENTORIED MANIFOLDS INCLUDE 12-24" (300-600 mm) SIZE ON SIZE AND 15-48" (375-1200 mm) ECCENTRIC MANIFOLDS. CUSTOM INVERT LOCATIONS ON THE MC-4500 END CAP CUT IN THE FIELD ARE NOT RECOMMENDED FOR PIPE SIZES GREATER THAN 10" (250 mm). THE INVERT LOCATION IN COLUMN 'B' ARE THE HIGHEST POSSIBLE FOR THE PIPE SIZE.

WATERIDGE APARTMENT BUILDINGS

OTTAWA, ON
 DATE: 1-24-23
 PROJECT #: S334624
 DRAWN: BRE
 CHECKED: RWD

DATE	DRWN	CHKD	DESCRIPTION
01/25/24	JR	JR	IR ADDED TO BUILDING 3 SYSTEM
12/12/23	JR	JR	BUILDING 3 SYSTEM REVISED PER MARK UP
02/06/23	RCT	RCT	REVISED PER NEW PLANS

StormTech®
 Chamber System
 888-892-2694 | WWW.STORMTECH.COM

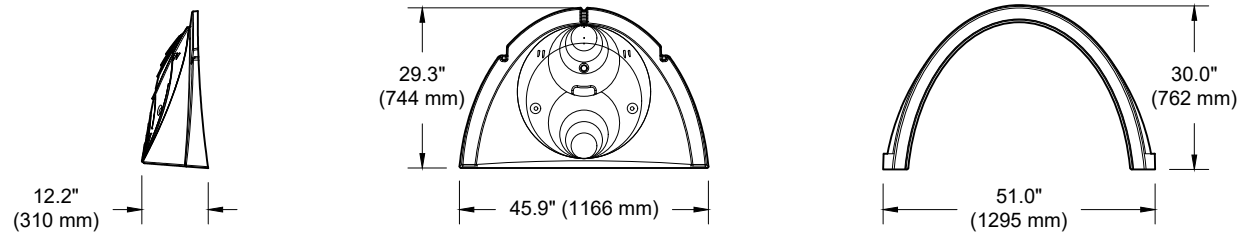
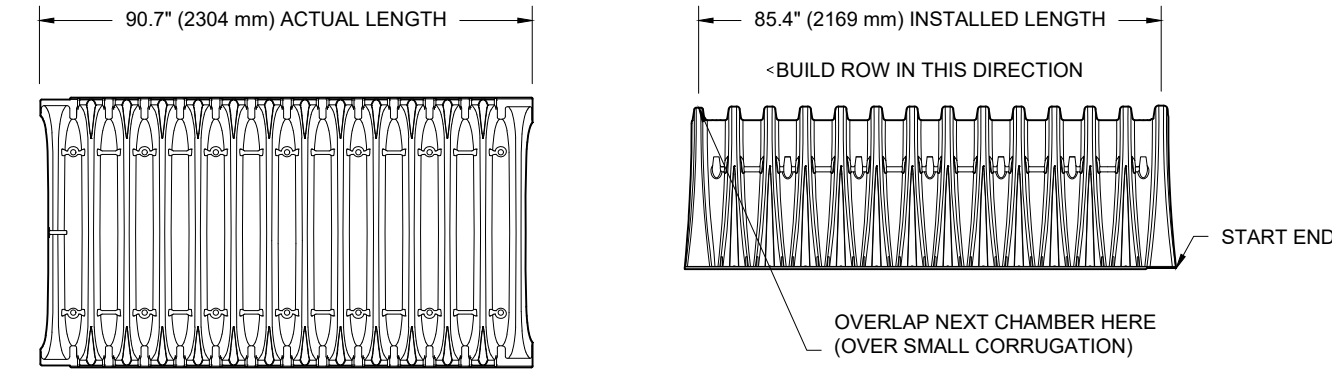
4640 TRUEMAN BLVD
 HILLIARD, OH 43026



THIS DRAWING HAS BEEN PREPARED BASED ON INFORMATION PROVIDED TO ADS UNDER THE DIRECTION OF THE SITE DESIGN ENGINEER OR OTHER PROJECT REPRESENTATIVE. THE SITE DESIGN ENGINEER SHALL REVIEW THIS DRAWING PRIOR TO CONSTRUCTION. IT IS THE ULTIMATE RESPONSIBILITY OF THE SITE DESIGN ENGINEER TO ENSURE THAT THE PRODUCT(S) DEPICTED AND ALL ASSOCIATED DETAILS MEET ALL APPLICABLE LAWS, REGULATIONS, AND PROJECT REQUIREMENTS.

DC-780 TECHNICAL SPECIFICATION

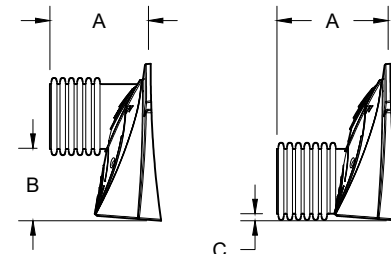
NTS



NOMINAL CHAMBER SPECIFICATIONS

SIZE (W X H X INSTALLED LENGTH)	51.0" X 30.0" X 85.4"	(1295 mm X 762 mm X 2169 mm)
CHAMBER STORAGE	46.2 CUBIC FEET	(1.30 m ³)
MINIMUM INSTALLED STORAGE*	78.4 CUBIC FEET	(2.20 m ³)
WEIGHT	75.0 lbs.	(33.6 kg)

*ASSUMES 6" (152 mm) STONE ABOVE, 9" (229 mm) BELOW, AND 6" (152 mm) BETWEEN CHAMBERS



STUBS AT BOTTOM OF END CAP FOR PART NUMBERS ENDING WITH "B"
STUBS AT TOP OF END CAP FOR PART NUMBERS ENDING WITH "T"

PART #	STUB	A	B	C
SC740EPE06T / SC740EPE06TPC	6" (150 mm)	10.9" (277 mm)	18.5" (470 mm)	---
SC740EPE06B / SC740EPE06BPC			---	0.5" (13 mm)
SC740EPE08T / SC740EPE08TPC	8" (200 mm)	12.2" (310 mm)	16.5" (419 mm)	---
SC740EPE08B / SC740EPE08BPC			---	0.6" (15 mm)
SC740EPE10T / SC740EPE10TPC	10" (250 mm)	13.4" (340 mm)	14.5" (368 mm)	---
SC740EPE10B / SC740EPE10BPC			---	0.7" (18 mm)
SC740EPE12T / SC740EPE12TPC	12" (300 mm)	14.7" (373 mm)	12.5" (318 mm)	---
SC740EPE12B / SC740EPE12BPC			---	1.2" (30 mm)
SC740EPE15T / SC740EPE15TPC	15" (375 mm)	18.4" (467 mm)	9.0" (229 mm)	---
SC740EPE15B / SC740EPE15BPC			---	1.3" (33 mm)
SC740EPE18T / SC740EPE18TPC	18" (450 mm)	19.7" (500 mm)	5.0" (127 mm)	---
SC740EPE18B / SC740EPE18BPC			---	1.6" (41 mm)
SC740EPE24B*	24" (600 mm)	18.5" (470 mm)	---	0.1" (3 mm)

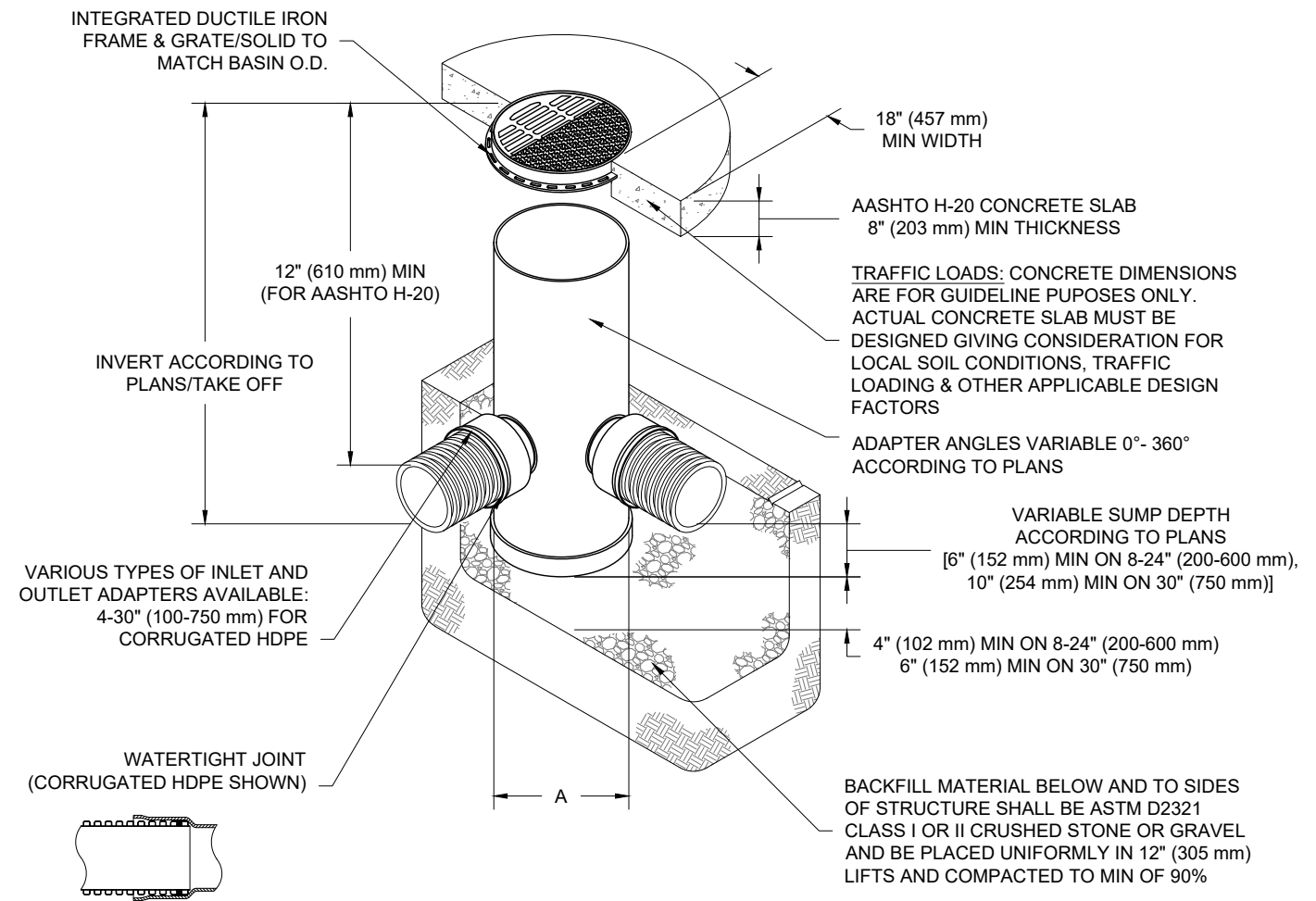
ALL STUBS, EXCEPT FOR THE SC740EPE24B ARE PLACED AT BOTTOM OF END CAP SUCH THAT THE OUTSIDE DIAMETER OF THE STUB IS FLUSH WITH THE BOTTOM OF THE END CAP. FOR ADDITIONAL INFORMATION CONTACT STORMTECH AT 1-888-892-2694.

* FOR THE SC740EPE24B THE 24" (600 mm) STUB LIES BELOW THE BOTTOM OF THE END CAP APPROXIMATELY 1.75" (44 mm). BACKFILL MATERIAL SHOULD BE REMOVED FROM BELOW THE N-12 STUB SO THAT THE FITTING SITS LEVEL.

NOTE: ALL DIMENSIONS ARE NOMINAL

NYLOPLAST DRAIN BASIN

NTS



NOTES

- 8-30" (200-750 mm) GRATES/SOLID COVERS SHALL BE DUCTILE IRON PER ASTM A536 GRADE 70-50-05
- 12-30" (300-750 mm) FRAMES SHALL BE DUCTILE IRON PER ASTM A536 GRADE 70-50-05
- DRAIN BASIN TO BE CUSTOM MANUFACTURED ACCORDING TO PLAN DETAILS
- DRAINAGE CONNECTION STUB JOINT TIGHTNESS SHALL CONFORM TO ASTM D3212 FOR CORRUGATED HDPE (ADS & HANCOR DUAL WALL) & SDR 35 PVC
- FOR COMPLETE DESIGN AND PRODUCT INFORMATION: WWW.NYLOPLAST-US.COM
- TO ORDER CALL: 800-821-6710

A	PART #	GRATE/SOLID COVER OPTIONS		
8" (200 mm)	2808AG	PEDESTRIAN LIGHT DUTY	STANDARD LIGHT DUTY	SOLID LIGHT DUTY
10" (250 mm)	2810AG	PEDESTRIAN LIGHT DUTY	STANDARD LIGHT DUTY	SOLID LIGHT DUTY
12" (300 mm)	2812AG	PEDESTRIAN AASHTO H-10	STANDARD AASHTO H-20	SOLID AASHTO H-20
15" (375 mm)	2815AG	PEDESTRIAN AASHTO H-10	STANDARD AASHTO H-20	SOLID AASHTO H-20
18" (450 mm)	2818AG	PEDESTRIAN AASHTO H-10	STANDARD AASHTO H-20	SOLID AASHTO H-20
24" (600 mm)	2824AG	PEDESTRIAN AASHTO H-10	STANDARD AASHTO H-20	SOLID AASHTO H-20
30" (750 mm)	2830AG	PEDESTRIAN AASHTO H-20	STANDARD AASHTO H-20	SOLID AASHTO H-20

WATERIDGE APARTMENT BUILDINGS

OTTAWA, ON

DATE: 1-24-23

PROJECT #: S334624

CHECKED: RWD

Nyloplast®

770-932-2443 | WWW.NYLOPLAST-US.COM

4640 TRUEJMAN BLVD
HILLIARD, OH 43026

ADS

THIS DRAWING HAS BEEN PREPARED BASED ON INFORMATION PROVIDED TO ADS UNDER THE DIRECTION OF THE SITE DESIGN ENGINEER OR OTHER PROJECT REPRESENTATIVE. THE SITE DESIGN ENGINEER SHALL REVIEW THIS DRAWING PRIOR TO CONSTRUCTION. IT IS THE ULTIMATE RESPONSIBILITY OF THE SITE DESIGN ENGINEER TO ENSURE THAT THE PRODUCT(S) DEPICTED AND ALL ASSOCIATED DETAILS MEET ALL APPLICABLE LAWS, REGULATIONS, AND PROJECT REQUIREMENTS.

Project: Wateridge Apt.-Building 1



Include Perimeter Stone in Calculations

Click for Stage Area Data

Click to Invert Stage Area Data

[Click Here for Imperial](#)

Chamber Model -	MC-4500
Units -	Metric
Number of Chambers -	22
Number of End Caps -	12
Void in the stone (porosity) -	40 %
Base of Stone Elevation -	85.79 m
Amount of Stone Above Chambers -	305 mm
Amount of Stone Below Chambers -	229 mm

136.0951 sq.meters Min. Area - 112.56 sq.meters

StormTech MC-4500 Cumulative Storage Volumes

Height of System (mm)	Incremental Single Chamber (cubic meters)	Incremental Single End Cap (cubic meters)	Incremental Chambers (cubic meters)	Incremental End Cap (cubic meters)	Incremental Stone (cubic meters)	Incremental Ch. and Stone (cubic meters)	Cumulative System (cubic meters)	Elevation (meters)
2057	0.00	0.00	0.00	0.00	1.382	1.38	159.82	87.85
2032	0.00	0.00	0.00	0.00	1.382	1.38	158.44	87.82
2007	0.00	0.00	0.00	0.00	1.382	1.38	157.05	87.80
1981	0.00	0.00	0.00	0.00	1.382	1.38	155.67	87.77
1956	0.00	0.00	0.00	0.00	1.382	1.38	154.29	87.75
1930	0.00	0.00	0.00	0.00	1.382	1.38	152.91	87.72
1905	0.00	0.00	0.00	0.00	1.382	1.38	151.53	87.70
1880	0.00	0.00	0.00	0.00	1.382	1.38	150.14	87.67
1854	0.00	0.00	0.00	0.00	1.382	1.38	148.76	87.64
1829	0.00	0.00	0.00	0.00	1.382	1.38	147.38	87.62
1803	0.00	0.00	0.00	0.00	1.382	1.38	146.00	87.59
1778	0.00	0.00	0.00	0.00	1.382	1.38	144.62	87.57
1753	0.00	0.00	0.03	0.00	1.370	1.40	143.23	87.54
1727	0.00	0.00	0.07	0.01	1.348	1.43	141.83	87.52
1702	0.00	0.00	0.10	0.02	1.334	1.45	140.40	87.49
1676	0.01	0.00	0.13	0.02	1.321	1.47	138.95	87.47
1651	0.01	0.00	0.17	0.03	1.304	1.50	137.47	87.44
1626	0.01	0.00	0.28	0.04	1.255	1.57	135.97	87.42
1600	0.02	0.00	0.41	0.04	1.198	1.66	134.40	87.39
1575	0.02	0.00	0.50	0.05	1.161	1.71	132.74	87.36
1549	0.03	0.01	0.57	0.06	1.130	1.76	131.03	87.34
1524	0.03	0.01	0.62	0.07	1.102	1.80	129.27	87.31
1499	0.03	0.01	0.68	0.08	1.078	1.84	127.47	87.29
1473	0.03	0.01	0.72	0.09	1.055	1.87	125.63	87.26
1448	0.03	0.01	0.77	0.10	1.034	1.90	123.76	87.24
1422	0.04	0.01	0.81	0.11	1.014	1.93	121.85	87.21
1397	0.04	0.01	0.85	0.12	0.995	1.96	119.92	87.19
1372	0.04	0.01	0.88	0.13	0.976	1.99	117.95	87.16
1346	0.04	0.01	0.92	0.14	0.959	2.02	115.96	87.14
1321	0.04	0.01	0.95	0.15	0.942	2.04	113.95	87.11
1295	0.04	0.01	0.98	0.16	0.926	2.07	111.91	87.09
1270	0.05	0.01	1.01	0.17	0.911	2.09	109.84	87.06
1245	0.05	0.01	1.04	0.18	0.896	2.11	107.75	87.03
1219	0.05	0.02	1.06	0.19	0.882	2.13	105.64	87.01
1194	0.05	0.02	1.09	0.19	0.869	2.15	103.51	86.98
1168	0.05	0.02	1.11	0.20	0.856	2.17	101.36	86.96
1143	0.05	0.02	1.14	0.21	0.844	2.19	99.18	86.93
1118	0.05	0.02	1.16	0.21	0.832	2.21	97.00	86.91
1092	0.05	0.02	1.18	0.22	0.822	2.22	94.79	86.88
1067	0.05	0.02	1.20	0.23	0.809	2.24	92.57	86.86
1041	0.06	0.02	1.22	0.24	0.797	2.26	90.32	86.83
1016	0.06	0.02	1.24	0.25	0.787	2.28	88.06	86.81
991	0.06	0.02	1.26	0.25	0.776	2.29	85.79	86.78
965	0.06	0.02	1.28	0.26	0.766	2.31	83.50	86.76
940	0.06	0.02	1.30	0.27	0.757	2.32	81.19	86.73
914	0.06	0.02	1.31	0.27	0.748	2.33	78.87	86.70
889	0.06	0.02	1.33	0.28	0.739	2.35	76.54	86.68
864	0.06	0.02	1.34	0.28	0.730	2.36	74.19	86.65
838	0.06	0.02	1.36	0.29	0.722	2.37	71.83	86.63
813	0.06	0.02	1.37	0.29	0.716	2.38	69.46	86.60
787	0.06	0.03	1.39	0.30	0.706	2.40	67.08	86.58
762	0.06	0.03	1.40	0.31	0.699	2.41	64.68	86.55
737	0.06	0.03	1.41	0.31	0.692	2.42	62.28	86.53
711	0.06	0.03	1.43	0.31	0.687	2.43	59.86	86.50
686	0.07	0.03	1.44	0.32	0.679	2.44	57.43	86.48
660	0.07	0.03	1.45	0.32	0.672	2.45	55.00	86.45
635	0.07	0.03	1.46	0.33	0.666	2.46	52.55	86.43
610	0.07	0.03	1.47	0.33	0.661	2.46	50.10	86.40
584	0.07	0.03	1.48	0.33	0.658	2.47	47.63	86.37
559	0.07	0.03	1.49	0.34	0.650	2.48	45.16	86.35
533	0.07	0.03	1.50	0.34	0.645	2.49	42.68	86.32
508	0.07	0.03	1.51	0.35	0.640	2.49	40.20	86.30
483	0.07	0.03	1.52	0.35	0.636	2.50	37.70	86.27
457	0.07	0.03	1.52	0.35	0.632	2.51	35.20	86.25
432	0.07	0.03	1.53	0.36	0.628	2.51	32.69	86.22
406	0.07	0.03	1.54	0.36	0.624	2.52	30.18	86.20
381	0.07	0.03	1.54	0.36	0.622	2.52	27.66	86.17
356	0.07	0.03	1.55	0.36	0.618	2.53	25.14	86.15
330	0.07	0.03	1.56	0.37	0.613	2.53	22.61	86.12
305	0.07	0.03	1.56	0.37	0.610	2.54	20.07	86.09
279	0.07	0.03	1.57	0.37	0.607	2.54	17.53	86.07
254	0.07	0.03	1.57	0.38	0.602	2.55	14.99	86.04
229	0.00	0.00	0.00	0.00	1.382	1.38	12.44	86.02
203	0.00	0.00	0.00	0.00	1.382	1.38	11.06	85.99
178	0.00	0.00	0.00	0.00	1.382	1.38	9.67	85.97
152	0.00	0.00	0.00	0.00	1.382	1.38	8.29	85.94
127	0.00	0.00	0.00	0.00	1.382	1.38	6.91	85.92
102	0.00	0.00	0.00	0.00	1.382	1.38	5.53	85.89
76	0.00	0.00	0.00	0.00	1.382	1.38	4.15	85.87
51	0.00	0.00	0.00	0.00	1.382	1.38	2.76	85.84
25	0.00	0.00	0.00	0.00	1.382	1.38	1.38	85.82

90.04m³ above elevation 86.604
69.78m³ below elevation 86.604

Project: **Wateridge Apt-Building 2**



Include Perimeter Stone in Calculations

Click for Stage Area Data

Click to Invert Stage Area Data

[Click Here for Imperial](#)

Chamber Model -	MC-4500
Units -	Metric
Number of Chambers -	16
Number of End Caps -	4
Voids in the stone (porosity) -	40 %
Base of Stone Elevation -	85.90 m
Amount of Stone Above Chambers -	305 mm
Amount of Stone Below Chambers -	229 mm

83.9353 sq.meters Min. Area - 66.97 sq.meters

StormTech MC-4500 Cumulative Storage Volumes

Height of System (mm)	Incremental Single Chamber (cubic meters)	Incremental Single End Cap (cubic meters)	Incremental Chambers (cubic meters)	Incremental End Cap (cubic meters)	Incremental Stone (cubic meters)	Incremental Ch, EC and Stone (cubic meters)	Cumulative System (cubic meters)	Elevation (meters)
2057	0.00	0.00	0.00	0.00	0.852	0.85	100.68	87.96
2032	0.00	0.00	0.00	0.00	0.852	0.85	99.83	87.93
2007	0.00	0.00	0.00	0.00	0.852	0.85	98.98	87.91
1981	0.00	0.00	0.00	0.00	0.852	0.85	98.12	87.88
1956	0.00	0.00	0.00	0.00	0.852	0.85	97.27	87.86
1930	0.00	0.00	0.00	0.00	0.852	0.85	96.42	87.83
1905	0.00	0.00	0.00	0.00	0.852	0.85	95.57	87.81
1880	0.00	0.00	0.00	0.00	0.852	0.85	94.71	87.78
1854	0.00	0.00	0.00	0.00	0.852	0.85	93.86	87.75
1829	0.00	0.00	0.00	0.00	0.852	0.85	93.01	87.73
1803	0.00	0.00	0.00	0.00	0.852	0.85	92.16	87.70
1778	0.00	0.00	0.00	0.00	0.852	0.85	91.31	87.68
1753	0.00	0.00	0.02	0.00	0.844	0.86	90.45	87.65
1727	0.00	0.00	0.05	0.00	0.830	0.89	89.59	87.63
1702	0.00	0.00	0.07	0.01	0.820	0.90	88.70	87.60
1676	0.01	0.00	0.09	0.01	0.812	0.91	87.80	87.58
1651	0.01	0.00	0.12	0.01	0.800	0.93	86.89	87.55
1626	0.01	0.00	0.21	0.01	0.766	0.98	85.96	87.53
1600	0.02	0.00	0.30	0.01	0.726	1.04	84.97	87.50
1575	0.02	0.00	0.36	0.02	0.700	1.08	83.93	87.47
1549	0.03	0.01	0.41	0.02	0.679	1.11	82.85	87.45
1524	0.03	0.01	0.45	0.02	0.661	1.14	81.74	87.42
1499	0.03	0.01	0.49	0.03	0.644	1.16	80.60	87.40
1473	0.03	0.01	0.53	0.03	0.629	1.19	79.44	87.37
1448	0.03	0.01	0.56	0.03	0.615	1.21	78.25	87.35
1422	0.04	0.01	0.59	0.04	0.602	1.23	77.04	87.32
1397	0.04	0.01	0.62	0.04	0.590	1.25	75.81	87.30
1372	0.04	0.01	0.64	0.04	0.578	1.26	74.57	87.27
1346	0.04	0.01	0.67	0.05	0.567	1.28	73.30	87.25
1321	0.04	0.01	0.69	0.05	0.556	1.30	72.02	87.22
1295	0.04	0.01	0.71	0.05	0.546	1.31	70.72	87.20
1270	0.05	0.01	0.73	0.06	0.536	1.33	69.41	87.17
1245	0.05	0.01	0.75	0.06	0.527	1.34	68.08	87.14
1219	0.05	0.02	0.77	0.06	0.518	1.35	66.74	87.12
1194	0.05	0.02	0.79	0.06	0.510	1.37	65.39	87.09
1168	0.05	0.02	0.81	0.07	0.501	1.38	64.02	87.07
1143	0.05	0.02	0.83	0.07	0.494	1.39	62.64	87.04
1118	0.05	0.02	0.84	0.07	0.486	1.40	61.25	87.02
1092	0.05	0.02	0.86	0.07	0.479	1.41	59.85	86.99
1067	0.05	0.02	0.88	0.08	0.472	1.42	58.44	86.97
1041	0.06	0.02	0.89	0.08	0.465	1.43	57.02	86.94
1016	0.06	0.02	0.90	0.08	0.458	1.44	55.58	86.92
991	0.06	0.02	0.92	0.08	0.452	1.45	54.14	86.89
965	0.06	0.02	0.93	0.09	0.446	1.46	52.69	86.87
940	0.06	0.02	0.94	0.09	0.440	1.47	51.22	86.84
914	0.06	0.02	0.96	0.09	0.434	1.48	49.75	86.81
889	0.06	0.02	0.97	0.09	0.428	1.49	48.27	86.79
864	0.06	0.02	0.98	0.09	0.423	1.50	46.78	86.76
838	0.06	0.02	0.99	0.10	0.418	1.50	45.29	86.74
813	0.06	0.02	1.00	0.10	0.414	1.51	43.78	86.71
787	0.06	0.03	1.01	0.10	0.408	1.52	42.27	86.69
762	0.06	0.03	1.02	0.10	0.404	1.53	40.75	86.66
737	0.06	0.03	1.03	0.10	0.400	1.53	39.23	86.64
711	0.06	0.03	1.04	0.10	0.396	1.54	37.70	86.61
686	0.07	0.03	1.05	0.11	0.391	1.54	36.16	86.59
660	0.07	0.03	1.05	0.11	0.387	1.55	34.62	86.56
635	0.07	0.03	1.06	0.11	0.384	1.56	33.07	86.54
610	0.07	0.03	1.07	0.11	0.380	1.56	31.51	86.51
584	0.07	0.03	1.08	0.11	0.378	1.56	29.95	86.48
559	0.07	0.03	1.08	0.11	0.374	1.57	28.39	86.46
533	0.07	0.03	1.09	0.11	0.371	1.57	26.82	86.43
508	0.07	0.03	1.10	0.12	0.368	1.58	25.24	86.41
483	0.07	0.03	1.10	0.12	0.365	1.58	23.66	86.38
457	0.07	0.03	1.11	0.12	0.362	1.59	22.08	86.36
432	0.07	0.03	1.11	0.12	0.360	1.59	20.49	86.33
406	0.07	0.03	1.12	0.12	0.357	1.59	18.90	86.31
381	0.07	0.03	1.12	0.12	0.356	1.60	17.31	86.28
356	0.07	0.03	1.13	0.12	0.354	1.60	15.71	86.26
330	0.07	0.03	1.13	0.12	0.351	1.60	14.11	86.23
305	0.07	0.03	1.14	0.12	0.349	1.61	12.50	86.20
279	0.07	0.03	1.14	0.12	0.347	1.61	10.90	86.18
254	0.07	0.03	1.14	0.13	0.344	1.61	9.29	86.15
229	0.00	0.00	0.00	0.00	0.852	0.85	7.67	86.13
203	0.00	0.00	0.00	0.00	0.852	0.85	6.82	86.10
178	0.00	0.00	0.00	0.00	0.852	0.85	5.97	86.08
152	0.00	0.00	0.00	0.00	0.852	0.85	5.11	86.05
127	0.00	0.00	0.00	0.00	0.852	0.85	4.26	86.03
102	0.00	0.00	0.00	0.00	0.852	0.85	3.41	86.00
76	0.00	0.00	0.00	0.00	0.852	0.85	2.56	85.98
51	0.00	0.00	0.00	0.00	0.852	0.85	1.70	85.95
25	0.00	0.00	0.00	0.00	0.852	0.85	0.85	85.93

38.46m³ above elevation 87.034
62.22m³ below elevation 87.034

Project: Wateridge Apartment Buildings - Building 3 - Rev 2



Include Perimeter Stone in Calculations

Click for Stage Area Data

Click to Invert Stage Area Data

[Click Here for Imperial](#)

Chamber Model -	DC-780
Units -	Metric
Number of chambers -	18
Voids in the stone (porosity) -	40 %
Base of Stone Elevation -	86.46 m
Amount of Stone Above Chambers -	225 mm
Amount of Stone Below Chambers -	560 mm

81.44057 sq.meters Min. Area - 56.52 sq.meters

StormTech DC-780 Cumulative Storage Volumes

Height of System (mm)	Incremental Single Chamber (cubic meters)	Incremental Total Chamber (cubic meters)	Incremental Stone (cubic meters)	Incremental Ch & St (cubic meters)	Cumulative Chamber (cubic meters)	Elevation (meters)
1549	0.00	0.00	0.83	0.83	64.645	88.01
1524	0.00	0.00	0.83	0.83	63.818	87.98
1499	0.00	0.00	0.83	0.83	62.990	87.96
1473	0.00	0.00	0.83	0.83	62.162	87.93
1448	0.00	0.00	0.83	0.83	61.334	87.91
1422	0.00	0.00	0.83	0.83	60.506	87.88
1397	0.00	0.00	0.83	0.83	59.679	87.86
1372	0.00	0.00	0.83	0.83	58.851	87.83
1346	0.00	0.00	0.83	0.83	58.023	87.81
1321	0.00	0.03	0.82	0.85	57.195	87.78
1295	0.00	0.08	0.79	0.88	56.350	87.76
1270	0.01	0.15	0.77	0.92	55.471	87.73
1245	0.02	0.31	0.70	1.01	54.556	87.70
1219	0.02	0.41	0.66	1.08	53.541	87.68
1194	0.03	0.49	0.63	1.12	52.465	87.65
1168	0.03	0.55	0.61	1.16	51.344	87.63
1143	0.03	0.61	0.59	1.19	50.185	87.60
1118	0.04	0.65	0.57	1.22	48.994	87.58
1092	0.04	0.70	0.55	1.24	47.777	87.55
1067	0.04	0.74	0.53	1.27	46.532	87.53
1041	0.04	0.78	0.52	1.29	45.259	87.50
1016	0.05	0.81	0.50	1.31	43.964	87.48
991	0.05	0.84	0.49	1.33	42.650	87.45
965	0.05	0.87	0.48	1.35	41.317	87.43
940	0.05	0.90	0.47	1.37	39.967	87.40
914	0.05	0.92	0.46	1.38	38.600	87.37
889	0.05	0.95	0.45	1.40	37.218	87.35
864	0.05	0.97	0.44	1.41	35.821	87.32
838	0.06	0.99	0.43	1.42	34.411	87.30
813	0.06	1.01	0.42	1.43	32.988	87.27
787	0.06	1.03	0.42	1.45	31.553	87.25
762	0.06	1.05	0.41	1.46	30.107	87.22
737	0.06	1.06	0.40	1.47	28.650	87.20
711	0.06	1.08	0.40	1.48	27.183	87.17
686	0.06	1.09	0.39	1.48	25.708	87.15
660	0.06	1.11	0.38	1.49	24.224	87.12
635	0.06	1.12	0.38	1.50	22.731	87.10
610	0.06	1.13	0.38	1.51	21.232	87.07
584	0.06	1.14	0.37	1.51	19.725	87.04
559	0.00	0.00	0.83	0.83	18.212	87.02
533	0.00	0.00	0.83	0.83	17.384	86.99
508	0.00	0.00	0.83	0.83	16.556	86.97
483	0.00	0.00	0.83	0.83	15.728	86.94
457	0.00	0.00	0.83	0.83	14.900	86.92
432	0.00	0.00	0.83	0.83	14.073	86.89
406	0.00	0.00	0.83	0.83	13.245	86.87
381	0.00	0.00	0.83	0.83	12.417	86.84
356	0.00	0.00	0.83	0.83	11.589	86.82
330	0.00	0.00	0.83	0.83	10.761	86.79
305	0.00	0.00	0.83	0.83	9.934	86.76
279	0.00	0.00	0.83	0.83	9.106	86.74
254	0.00	0.00	0.83	0.83	8.278	86.71
229	0.00	0.00	0.83	0.83	7.450	86.69
203	0.00	0.00	0.83	0.83	6.622	86.66
178	0.00	0.00	0.83	0.83	5.795	86.64
152	0.00	0.00	0.83	0.83	4.967	86.61
127	0.00	0.00	0.83	0.83	4.139	86.59
102	0.00	0.00	0.83	0.83	3.311	86.56
76	0.00	0.00	0.83	0.83	2.483	86.54
51	0.00	0.00	0.83	0.83	1.656	86.51
25	0.00	0.00	0.83	0.83	0.828	86.49

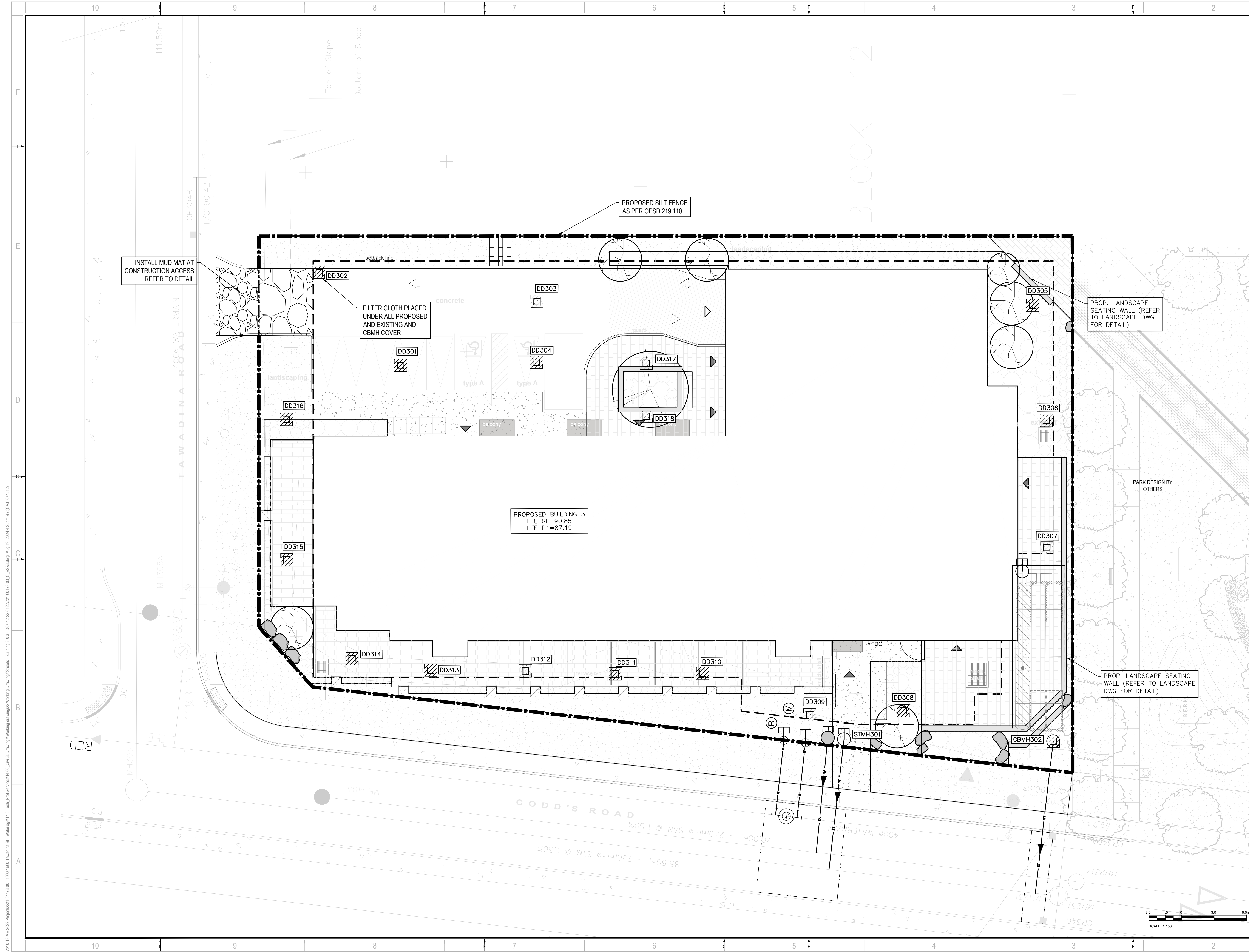
26.05m³ above elevation 87.37
38.6m³ below elevation 87.37

APPENDIX

APPENDIX

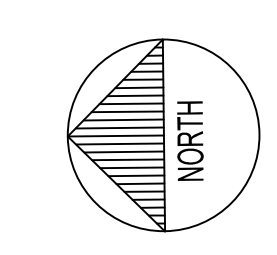
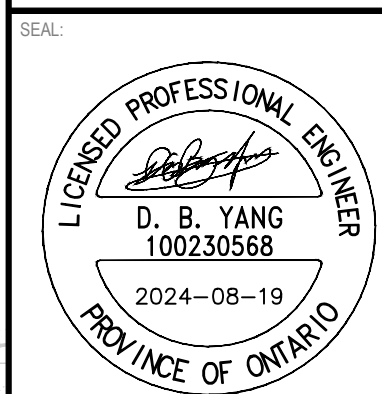
E

- EROSION AND SEDIMENTATION CONTROL PLANS



2011 QUEENVIEW DR.
OTTAWA, ONTARIO
CANADA K2B 8K2
T: 613-829-3900
F: 613-829-8299
WWW.WSP.COM

MATAJ ARCHITECTS INC.
418 IRAQUOIS SHORE ROAD, UNIT 206
OAKVILLE, ONTARIO
CANADA L6H 0H7
T: 416-897-2867
E: EVA@MATAJARCHITECTS.COM



WATERIDGE APARTMENTS BUILDINGS
375 CODD'S ROAD AND
1345 HEMLOCK ROAD,
OTTAWA, ON



DISCLAIMER:
THIS DRAWING AND DESIGN IS COPYRIGHT PROTECTED WHICH SHALL NOT BE USED, REPRODUCED OR REVISED WITHOUT WRITTEN PERMISSION BY WSP. THE CONTRACTOR SHALL CHECK AND VERIFY ALL DIMENSIONS AND UTILITY LOCATIONS AND REPORT ALL ERRORS AND OMISSIONS PRIOR TO COMMENCING WORK.
THIS DRAWING IS NOT TO BE SCALED.
BENCH MARK No. 0191968130 ELEVATION + 52.06 m
ELEVATIONS ARE GEODETIC, REFERRED TO CITY OF OTTAWA VERTICAL BENCH MARK No. 396 (191968130), HAVING AN ELEVATION OF 81.08 METRES.
COORDINATES ARE DERIVED FROM CANADIAN 2011 REAL TIME NETWORK GPS OBSERVATIONS REFERENCED TO SPECIFIED CONTROL POINTS 0191968100 AND 019484761, MTM ZONE 9 (NAD83) (LONGITUDE 76°40' WEST).

IS	RE	DATE	DESCRIPTION
8		2024-08-19	RE-ISSUED FOR SPA
7		2024-02-08	REVISED AS PER CITY COMMENTS
6		2024-02-05	REVISED AS PER CITY COMMENTS
5		2023-12-18	REVISED AS PER CITY COMMENTS
4		2023-11-24	REVISED AS PER CITY COMMENTS
3		2023-05-25	REVISED AS PER CITY COMMENTS
2		2022-08-15	ISSUED FOR SPA
1		2022-05-24	ISSUED FOR CLC REVIEW

PROJECT NO:	221-04473-00	DATE:	AUGUST 2024
ORIGINAL SCALE:	1:150	IF THIS BAR IS NOT 25mm LONG, ADJUST YOUR PLOTTING SCALE.	
DESIGNED BY:	DY		
DRAWN BY:	JT		
CHECKED BY:	DY		

DISCIPLINE:	CIVIL
TITLE:	EROSION AND SEDIMENTATION CONTROL PLAN - BUILDING 3
SHEET NUMBER:	C207
ISSUE:	RE-ISSUED FOR SPA
DATE OF:	2024-08-19
REV #:	0

V:\10-13.ME 2022 Project\221-04473-00 - 1000-1500 Treaders St. - Wateridge 14.0 Tech. Prof Services\14.00_Civil3_Drawing\Working Drawings\Building 3 & 3 - DD1-12-22-01-00173-00_C_B33.dwg Aug 19 2024 4:25pm BY:CAUT/7/4/24